



Spare Parts Catalog

MS-E 3070 II

Material number: 4472.099.222

Current date: 14.11.2018

ZF Friedrichshafen AG
Hauptverwaltung
80038 Friedrichshafen
Deutschland

Telefon: +49 7541 77-0

Telefax: +49 7541 77-908000

www.zf.com

zuständiges Werk:
Passau

Notes relating to the spare parts catalog

Setup of the spare parts catalog

- Cover sheet
- Technical Cover (only in SDM print)
- Overview of figures
- Figure
- Associated parts list
- Next figure
- Associated parts list
- ...

Figure and parts list



Overview of figures

Bildtafel Figure	Sachnummer Product number	Benennung (Description)	Technische Info Technical info	Description (Benennung)	Menge Quantity	Einheit Unit
068.08.17	1316.170.001	AUSLEGER	WL	SHIFT TURRET	1	Stk
068.08.06	1316.170.031	DECKEL	WL*H-H *VM	COVER	1	Stk
068.08.14	1316.170.808	DECKEL	WL*AUSL+GEH*H-H*HF160N	COVER	1	Stk
08	1316.170.441	ANSCHLUSSTEILE	WL*NG-VORB*RG-SCHL*168N *BAJONETT	CONNECTING PARTS	1	Stk

The "gap" indicates that there is no separate graphics panel (poster) for this assembly
The parts of this assembly are shown with the same mid-section number on the figure

1 Positions and subpositions

Pos.	Sachnummer Product number	Benennung (Description)	Technische Info Technical info	Description (Benennung)	Menge Quantity	Einheit Unit
0370	1315.201.054	RUECKLAUFBOLZEN	KPL.16S151*SG*L= 79	REV.IDLER SHAFT	1	Stk
/0120	0631.329.293	SPANNSTIFT		SLOT. PIN	1	Stk

Positions marked with "/" are the individual items of a completion
For example: Position 0370 contains a centering pin with the position /0120

2 Combinations with standardized parts

Pos.	Sachnummer Product number	Benennung (Description)	Technische Info Technical info	Description (Benennung)	Menge Quantity	Einheit Unit
0630		VERSCHL.SCHR.		SCREW PLUG	1	Stk
	0636.302.067	VERSCHL.SCHR.		SCREW PLUG	1	Stk
	0634.801.249	DICHTRING	A 26 X 31	SEALING RING	1	Stk

The parts list shows the components included in the combination of standardized parts

3 Depiction of position/item number on the figure and in the parts list

01.620 - on the figure 01 relates to the assembly in which the position is included. Due to program-related reasons, it is shown on the figure.

0620 - in the parts list

Pos.	Sachnummer Product number	Benennung (Description)	Technische Info Technical info	Description (Benennung)	Menge Quantity	Einheit Unit
0620	0732.040.736	DRUCKFEDER		COMPRESSION SPRING	1	Stk

4 *-Positions

Positions marked with an * are optional i.e. inclusion in the parts list is not mandatory.
The following note is shown on the figure

je nach Stücklistenausführung
depending on spec. number
*
suivant la nomenclature
secondo la distinta base

5 Parts, dotted display

Parts with dotted display on the figure are only used for orientation of other parts

Technical Cover

Page 1 from 2

Material number: 4472.099.222



MS-E 3070 II /

Pos.	Information	Amendment number
	CUSTOMER: XUZHOU	
	VEHICLE DESIGNATION: XW 210	
	TYRE SIZE: 10.00-20	
	TYRE RADIUS DYN: 0,506 M	
	MAX. SPEED: 36,5 KM/H	
	TRACK WIDTH: 1914 MM	
	PRODUCT DESCRIPTION: ZF- MULTISTEER- AXLE	
	VEHICLE TYPE: MOBILE EXCAVATOR	
	AXLE TYPE: MS-E 3070 II	
	VERSION: STEERABLE	
	AXLE ARRANGEMENT: FRONT AXLE	
	DIRECTION OF ROTATION: CW	
	CROWN WHEEL POSITION: LEFT	
	SPIRAL DIRECTION: LEFT	
	T/M MOUNTING: WITHOUT	
	INPUT FLANGE: DIN 120	
	FLANGE TO FLANGE DIM.: 1890 MM	
	AXLE INSTALLATION: ABOVE CENTER PIVOT W. BUSHING	
	MAIN DIFFERENTIAL: OPEN	
	AXLE RATIO: 16,000	
	STEERING CYLINDER SIZE: 100 X 50	
	MAX STEERING ANGLE: 35 GRAD	
	PORT POSITION: EDUL_60	
	PORT SIZE: M 18 X 1,5	
	PLANETARY DRIVE: P3, I=6,4	
	SERVICE BRAKE : MULTI-DISC BRAKE 235 X 155 X 6	
	BRAKE PORT SIZE: M14 X 1,5	
	BRAKE BREATHER: SIDE OF TIE ROD	
	RIM PITCH CIRCLE DIAM.: 335,00 MM	
	WHEEL CONNECTION: BOLT 10 X M22 X 1,5 X 96	
	WHEEL NUTS: WITHOUT	
	OIL FILLING: WITH	
	OIL - GRADE: TE ML 05 (TITAN POWERFLUID)	

Technical Cover

Page 2 from 2

Material number: 4472.099.222



MS-E 3070 II /

Pos.	Information	Amendment number
	OIL - GRADE ALLOWED: TE ML 05 C/D/E/F/G	
	PRIMER PAINT: BLACK RAL 9005	
	TYPE PLATE: ZF- STANDARD	
	PLANETARY DRIVE OIL CAP 2,50 L	
	AXLE HOUSING OIL CAPACI 9,60 L	
	OIL FILL QUANTITY CA: 14,60 L	
	SECTION DRAWING: 4472.099.240	
	INSTALLATION DRAWING: 4472.699.017	
	PERFORMANCE CALCULATION 4143.701.590	
	INSTALLATION INSTRUCTIO 4472.700.067	
	TESTING INSTRUCTION: 4472.760.021	
	PAINT-FREE AREA: 4472.700.068	

Assembly group overview

Page 1 from 1



Material number: 4472.099.222

MS-E 3070 II /

Graphics	Pos.	Material number	Name	Quantity	Amend. no.	Techn. Info.
447212502500	10	4472.125.025	INPUT	1		
447212540500	20	4472.125.405	INPUT	1		
448204000200	30	4482.040.002	DIFFERENTIAL 750	1		
447212601200	70	4472.126.012	AXLE CASING	1		
447212643900	80	4472.126.439	AXLE CASING	1		
447212802400	90	4472.128.024	JOINT HOUSING	1		
447212840000	100	4472.128.400	JOINT HOUSING	1		
447213400600	150	4472.134.006	STEERING	1		
447213304700	130	4472.133.047	OUTPUT	1		
447213340800	140	4472.133.408	OUTPUT	1		
414313900100	900	4143.139.001	TYPE PLATE	1		

Plant

Page 1 from 1

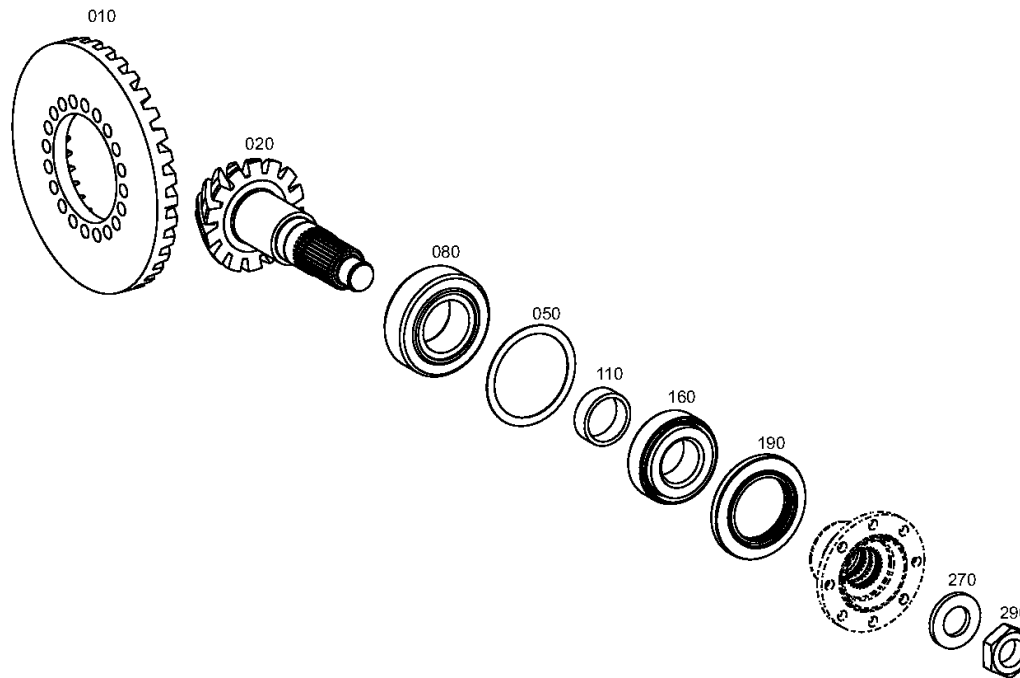
Material number: 4472.099.222

Plant: 447212502500

Material-assembly-group-no: 4472.125.025



MS-E 3070 II /
INPUT



Plant

Page 1 from 1

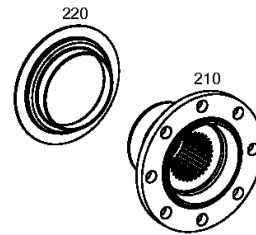
Material number: 4472.099.222

Plant: 447212540500

Material-assembly-group-no: 4472.125.405



MS-E 3070 II /
INPUT



Plant

Page 1 from 1

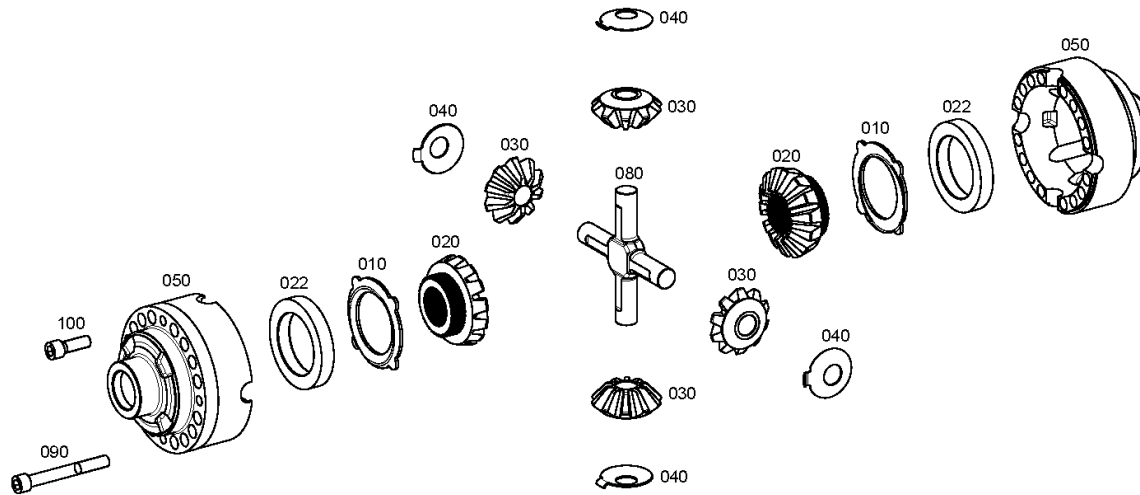
Material number: 4472.099.222

Plant: 448204000200

Material-assembly-group-no: 4482.040.002



MS-E 3070 II /
DIFFERENTIAL 750



Plant

Page 1 from 1

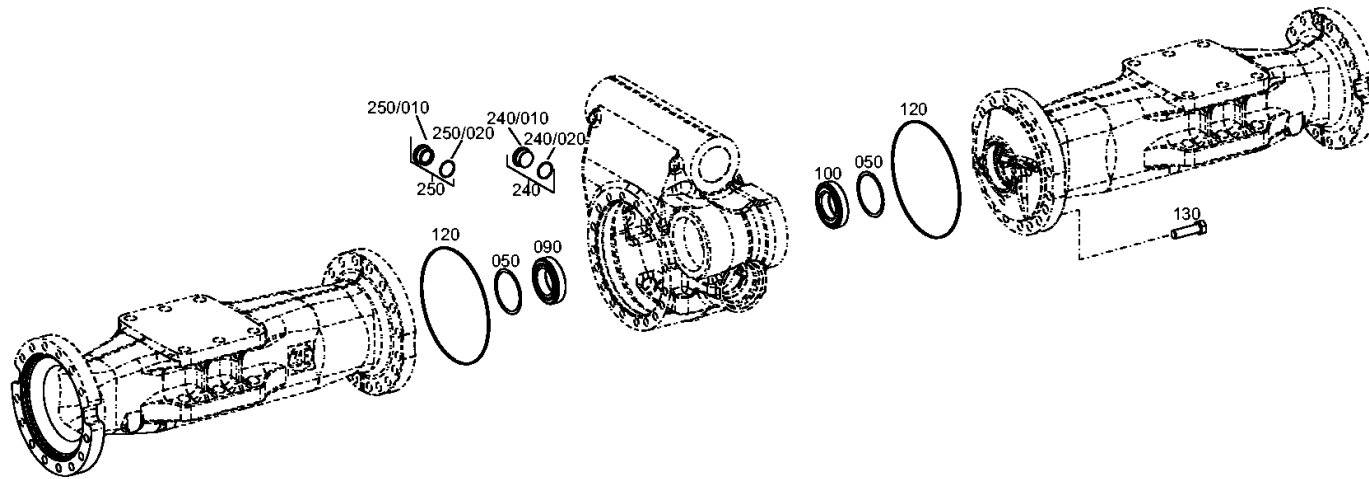
Material number: 4472.099.222

Plant: 447212601200

Material-assembly-group-no: 4472.126.012



MS-E 3070 II /
AXLE CASING



Plant

Page 1 from 2

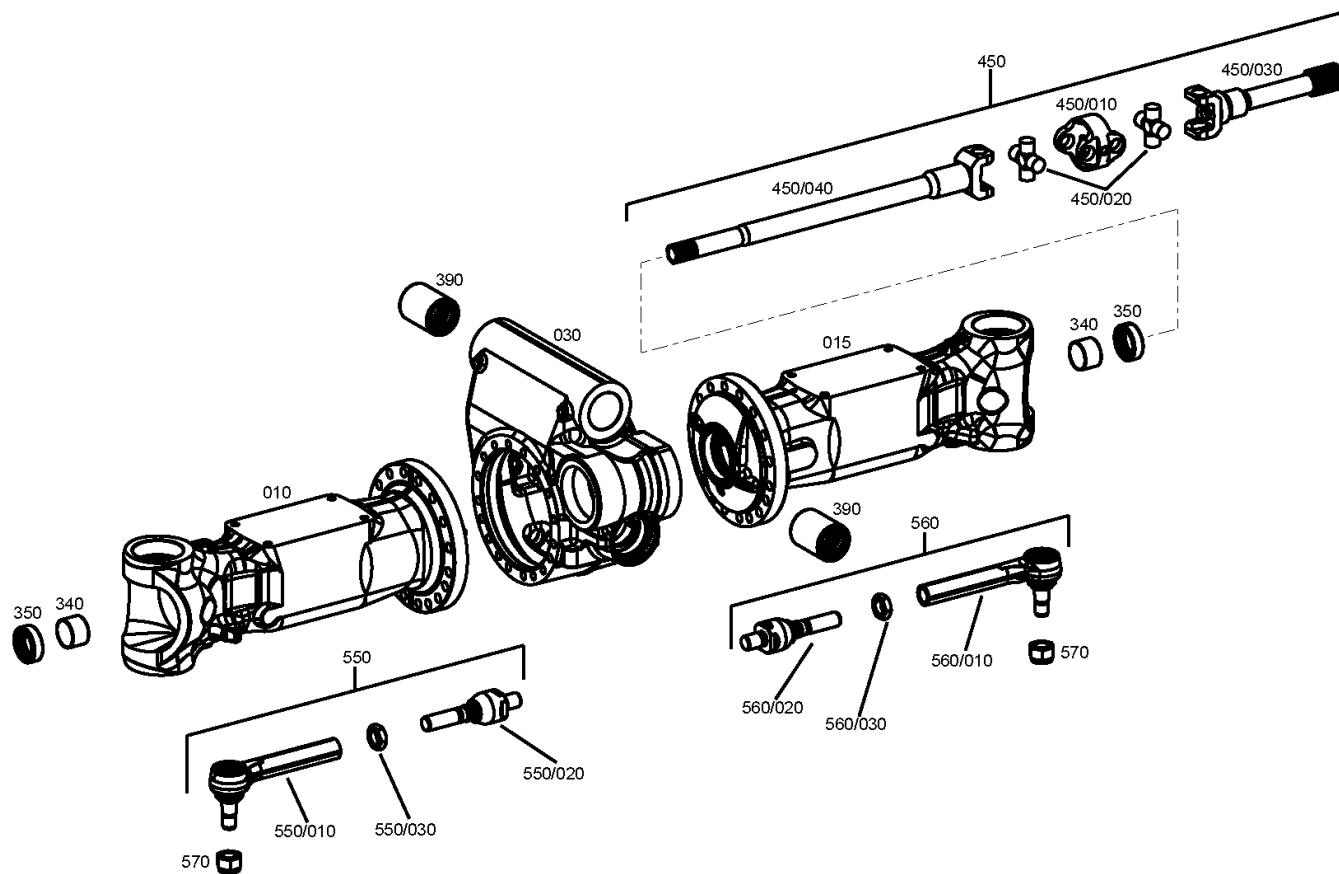
Material number: 4472.099.222

Plant: 447212643900

Material-assembly-group-no: 4472.126.439



MS-E 3070 II /
AXLE CASING



Plant

Page 2 from 2

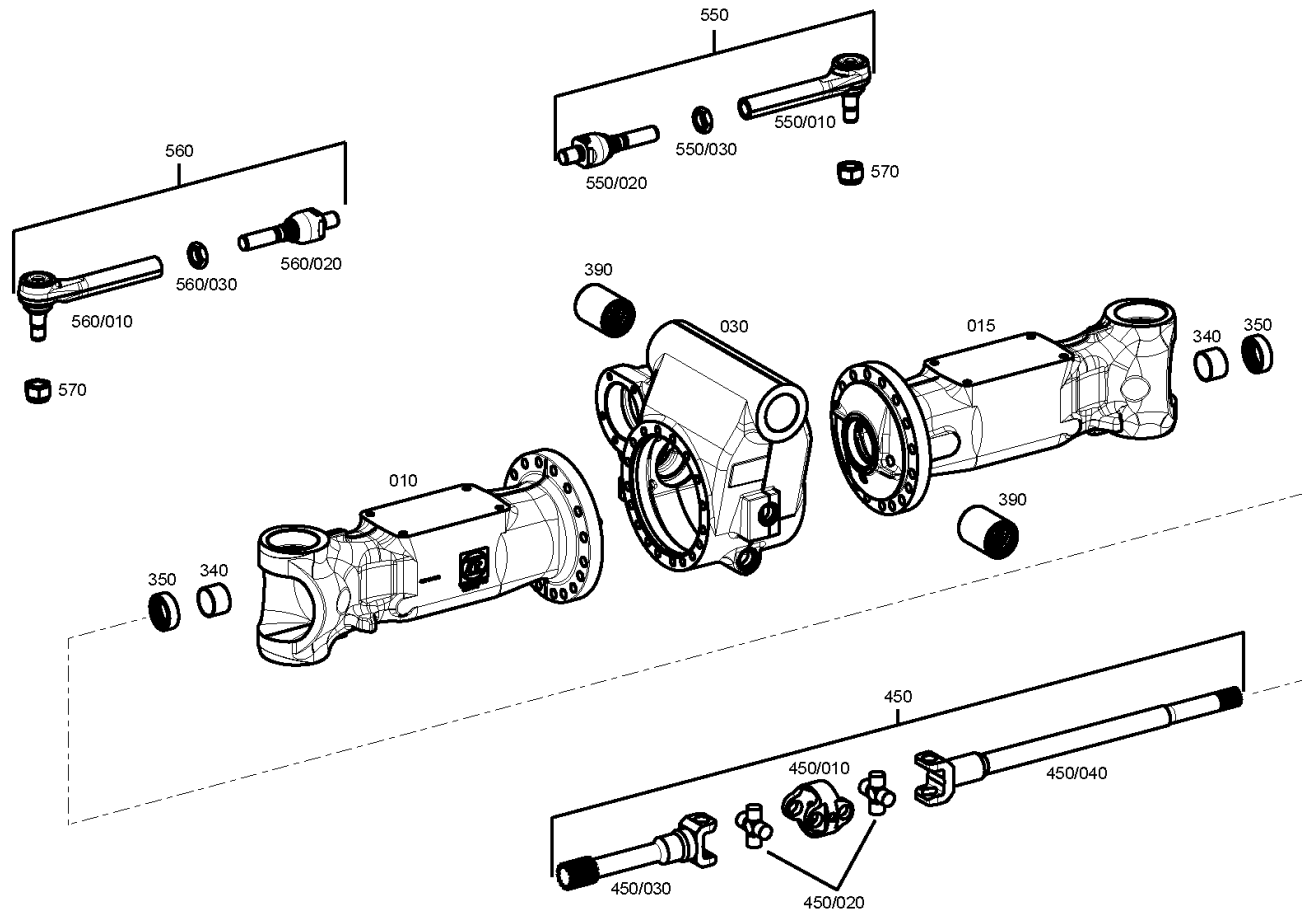
Material number: 4472.099.222

Plant: 447212643950

Material-assembly-group-no: 4472.126.439



MS-E 3070 II /
AXLE CASING



Plant

Page 1 from 1

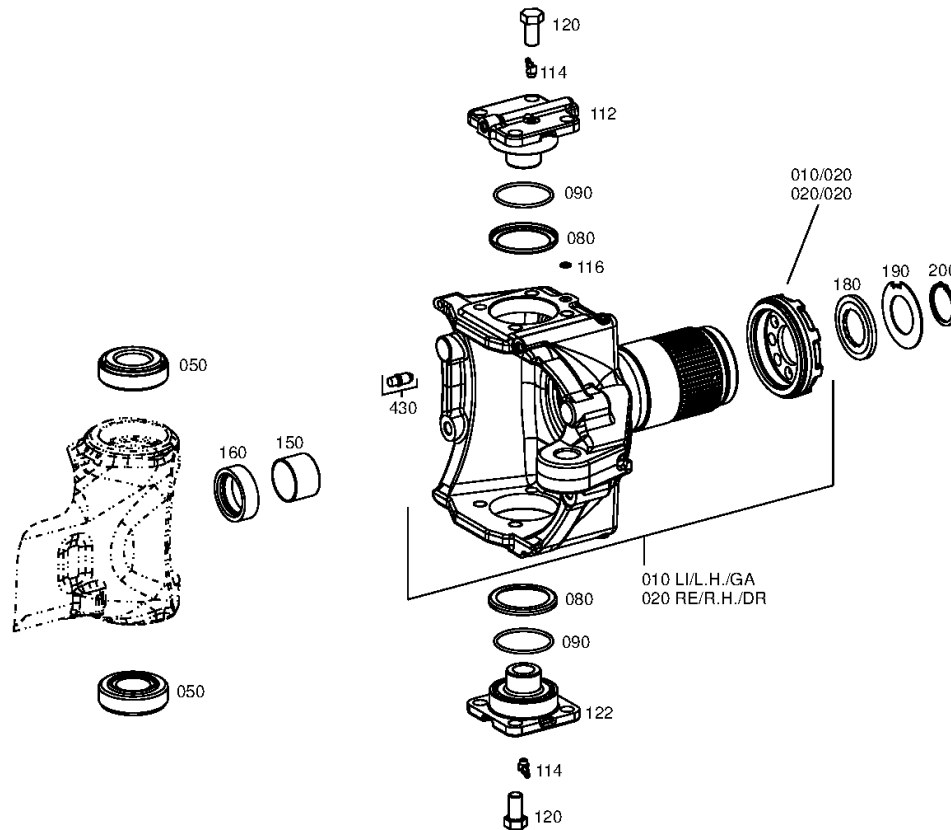
Material number: 4472.099.222

Plant: 447212802400

Material-assembly-group-no: 4472.128.024



MS-E 3070 II /
JOINT HOUSING



Plant

Page 1 from 1

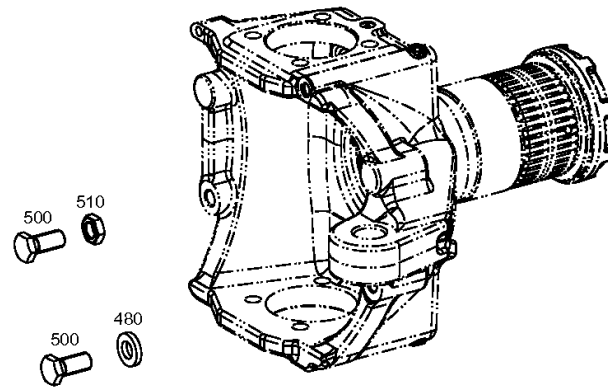
Material number: 4472.099.222

Plant: 447212840000

Material-assembly-group-no: 4472.128.400



MS-E 3070 II /
JOINT HOUSING



Plant

Page 1 from 1

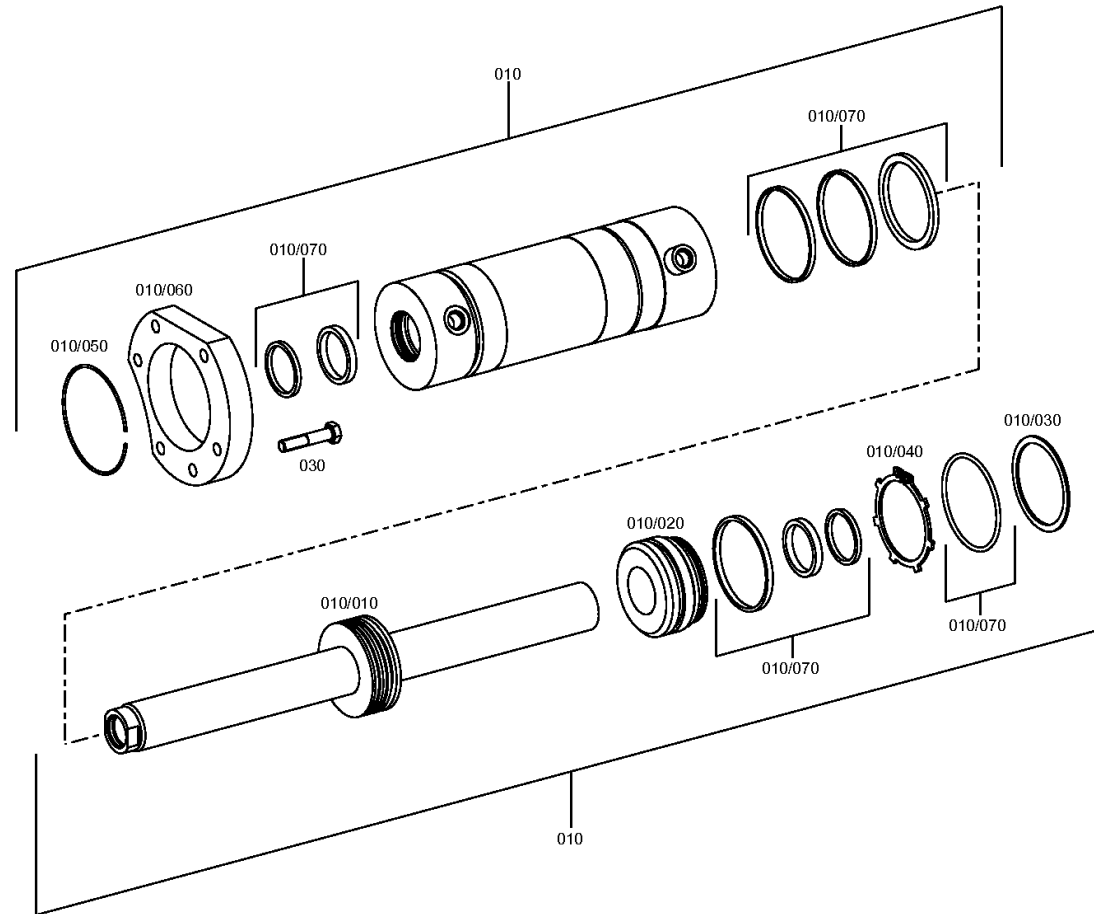
Material number: 4472.099.222

Plant: 447213400600

Material-assembly-group-no: 4472.134.006



MS-E 3070 II /
STEERING



Plant

Page 1 from 1

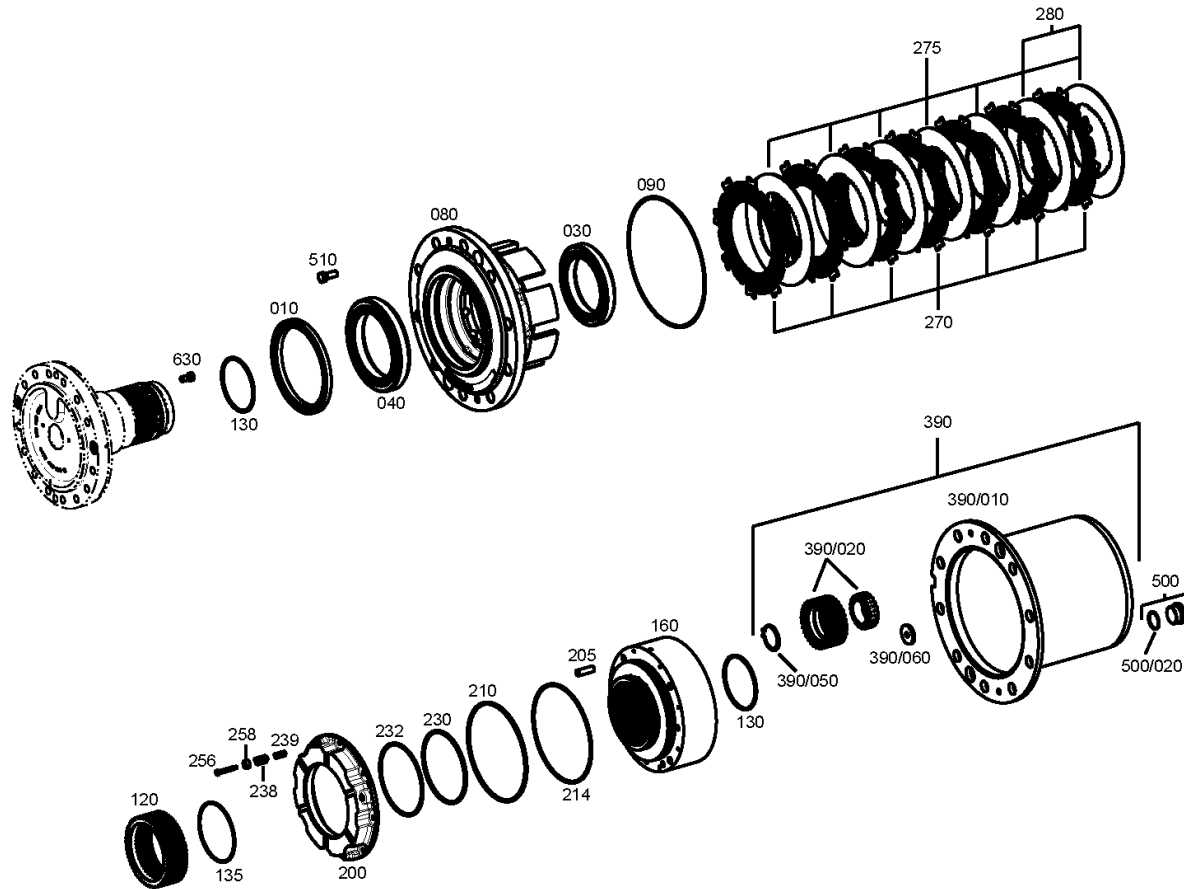
Material number: 4472.099.222

Plant: 447213304700

Material-assembly-group-no: 4472.133.047



MS-E 3070 II /
OUTPUT



Plant

Page 1 from 1

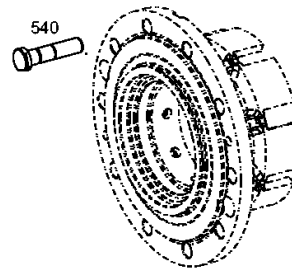
Material number: 4472.099.222

Plant: 447213340800

Material-assembly-group-no: 4472.133.408



MS-E 3070 II /
OUTPUT



Plant

Page 1 from 1

Material number: 4472.099.222

Plant: 414313900100

Material-assembly-group-no: 4143.139.001



MS-E 3070 II /
TYPE PLATE



010