



Spare Parts Catalog

STARRACHSE

Material number: 4474.004.172

Current date: 07.11.2000

ZF Friedrichshafen AG
Hauptverwaltung
80038 Friedrichshafen
Deutschland

Telefon: +49 7541 77-0

Telefax: +49 7541 77-908000

www.zf.com

zuständiges Werk:
Passau

Notes relating to the spare parts catalog

Setup of the spare parts catalog

- Cover sheet
- Technical Cover (only in SDM print)
- Overview of figures
- Figure
- Associated parts list
- Next figure
- Associated parts list
- ...

Figure and parts list



Overview of figures

Bildtafel Figure	Sachnummer Product number	Benennung (Description)	Technische Info Technical info	Description (Benennung)	Menge Quantity	Einheit Unit
068.08.17	1316.170.001	AUSLEGER	WL	SHIFT TURRET	1	Stk
068.08.06	1316.170.031	DECKEL	WL*H-H *VM	COVER	1	Stk
068.08.14	1316.170.808	DECKEL	WL*AUSL+GEH*H-H*HF160N	COVER	1	Stk
08	1316.170.441	ANSCHLUSSTEILE	WL*NG-VORB*RG-SCHL*168N *BAJONETT	CONNECTING PARTS	1	Stk

The "gap" indicates that there is no separate graphics panel (poster) for this assembly
The parts of this assembly are shown with the same mid-section number on the figure

1 Positions and subpositions

Pos.	Sachnummer Product number	Benennung (Description)	Technische Info Technical info	Description (Benennung)	Menge Quantity	Einheit Unit
0370	1315.201.054	RUECKLAUFBOLZEN	KPL.16S151*SG*L= 79	REV.IDLER SHAFT	1	Stk
/0120	0631.329.293	SPANNSTIFT		SLOT. PIN	1	Stk

Positions marked with "/" are the individual items of a completion
For example: Position 0370 contains a centering pin with the position /0120

2 Combinations with standardized parts

Pos.	Sachnummer Product number	Benennung (Description)	Technische Info Technical info	Description (Benennung)	Menge Quantity	Einheit Unit
0630		VERSCHL.SCHR.		SCREW PLUG	1	Stk
	0636.302.067	VERSCHL.SCHR.		SCREW PLUG	1	Stk
	0634.801.249	DICHTRING	A 26 X 31	SEALING RING	1	Stk

The parts list shows the components included in the combination of standardized parts

3 Depiction of position/item number on the figure and in the parts list

01.620 - on the figure 01 relates to the assembly in which the position is included. Due to program-related reasons, it is shown on the figure.

0620 - in the parts list

Pos.	Sachnummer Product number	Benennung (Description)	Technische Info Technical info	Description (Benennung)	Menge Quantity	Einheit Unit
0620	0732.040.736	DRUCKFEDER		COMPRESSION SPRING	1	Stk

4 *-Positions

Positions marked with an * are optional i.e. inclusion in the parts list is not mandatory.
The following note is shown on the figure

je nach Stücklistenausführung
depending on spec. number
*
suivant la nomenclature
secondo la distinta base

5 Parts, dotted display

Parts with dotted display on the figure are only used for orientation of other parts

Technical Cover

Page 1 from 2

Material number: 4474.004.172



STARRACHSE /

Pos.	Information	Amendment number
	KUNDE:HANOMAG	
	IDENT-NR:42Y-23-H0100	
	QUESTIONNAIRE:	
	WITHOUT	
	PROJEKT-NR.:29973	
	VEHICLE DATA:	
	RADLADER WA270-3H (40F)	
	MOTOR: CUMMINS 6BT 5,9 C	
	MOTORLEISTUNG: P=110 KW BEI N=2200 UPM	
	DREHMOMENT: T= 590 NM BEI N=1400 UPM	
	GEAR: ZF 4WG-150	
	TYRES: SINGLE	
	REIFEN: 555/70-R 24 EM	
	RIM PITCH CIRCLE DIA: 425 MM	
	V-MAX: 38,00KM	
	PRODUCT DESCRIPTION:	
	AXLE ARRANGEMENT: REAR AXLE	
	RATIO TOTAL: I=20,21	
	PLANETARY DRIVE:I=6,35 P3-320-50	
	BEVELGEAR SET: I= 3,18 T=35/11	
	MOUNTING: CENTRAL	
	FLANGE DISTANCE: L=1940	
	WHEEL TRACK: L=1900	
	BRAKE:	
	MULT.-DISC BRAKE HYDR.: 277X186	
	PARKING BRAKE: WITHOUT	
	LINING DISC: 3 PIECES	
	BREMSBERECHNUNG: 4474 716 070	
	DIFF.CARRIER:	
	TYPE: CK	
	SENS OF ROTATION:COUNTER CLOCKWISE	
	RING GEAR: SPIRAL DIRECTION LEFT	
	POSITION OF RING GEAR: LEFT	

Technical Cover

Page 2 from 2

Material number: 4474.004.172



STARRACHSE /

Pos.	Information	Amendment number
	FLANGE POS.BEVEL DRIVE: MIDDLE	
	FLANGE MECH.6C	
	LIMITED-SLIP DIFFERENTIAL	
	TYPE: DL 1200	
	BEVEL SIDE GEAR SPLINE: N 42X1,25	
	BLOCKAGE EFFECT: 45%	
	DRAWINGS:	
	SCHNITT: 4474 004 173(0)	
	EINBAU: 4474 604 037(0)	
	TEST SPECIFICATION: 4474 760 003(3)	
	EINBAUUEBERPRUEFUNG: 603 4642 030	
	TEST SPECIFICATION: 4474 760 003(2)	
	ASSEMBLY INSTRUCTION:	
	SPRING SEAT,RIM FACE TO GREASE BEFORE SPRAYING	
	PISTON STROKE 2,4-2,8 MM	
	SETTING INSTRUCTION PISTON STROKE 4474 700 002	
	TYPBEZEICHNUNG AP-408/CK IN TYPENSCHILD EINSCHLAGEN	
	ABDECKSCH.4464 306 131,EINSEITIG M.FETT BESTREICHEN, AN FELGENANLAGEFLAECHE ANBRINGEN	
	RENOLIT MP 735 NR.0671 190 008	
	RADBOLZEN MIT SCHUTZHUELSE 0501 311 817 ABDECKEN	
	OIL CAPACITY:	
	AXLE: CA.16,00L	
	PLANETARY DRIVE: APPR. 5,50L	
	TOTAL: 27,00L	
	OIL FILLING: YES	
	OIL SPECIFICATION:SAE 90 LS SPEZ.MIL-L 2105 D	
	BRAKE CONTROL: ATF-OIL/MOTOROIL 10 W	
	WEIGHT: 680KG	
	COLOR: 2 YELLOW RAL 1006	
	PACKING:	
	MISCELLANEOUS/REMARKS:	

Assembly group overview

Page 1 from 1

Material number: 4474.004.172



STARRACHSE /

Picture	Pos.	Material number	Name	Quantity	Amend. no.	Techn. Info.
	10	4460.005.264	AXLE INSERT	1		
447410103901	20	4474.101.064	AXLE CASING	1		
447410103902	30	4474.101.543	AXLE CASING	1		
447410216900	40	4474.102.169	OUTPUT	1		
447410202102	50	4474.102.447	OUTPUT	1		

Picture

Page 1 from 1

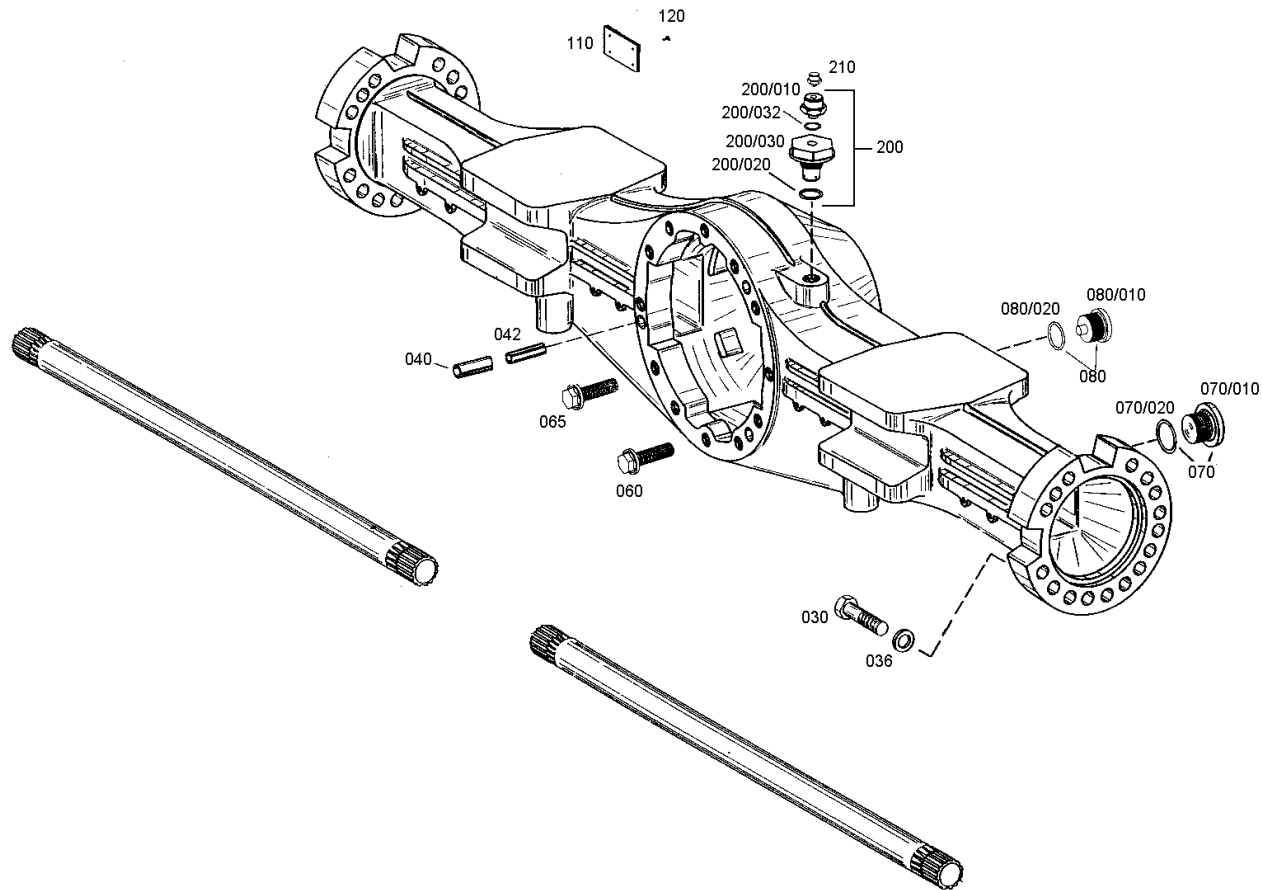
Material number: 4474.004.172

Picture: 447410103901

Material-assembly-group-no: 4474.101.064



STARRACHSE /
AXLE CASING



Picture

Page 1 from 1

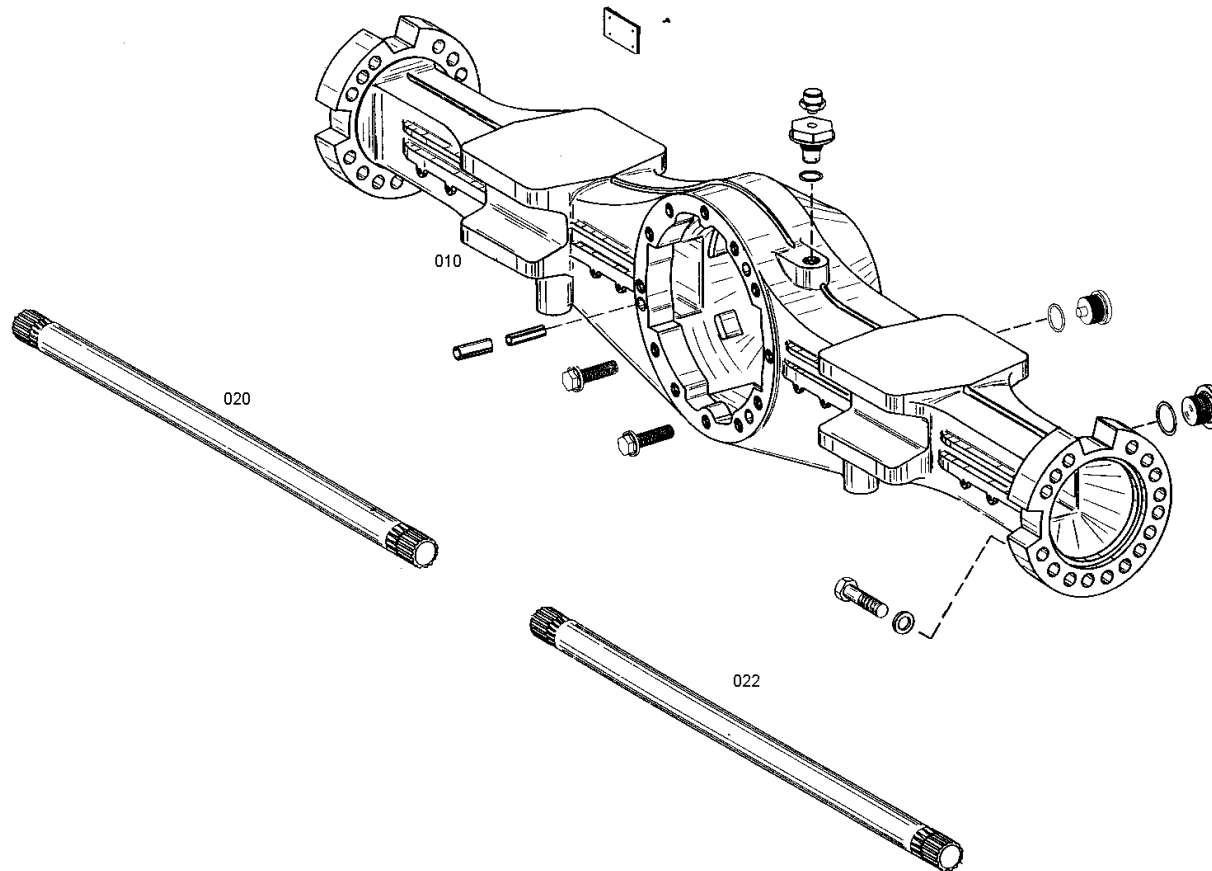
Material number: 4474.004.172

Picture: 447410103902

Material-assembly-group-no: 4474.101.543



STARRACHSE /
AXLE CASING



Picture

Page 1 from 1

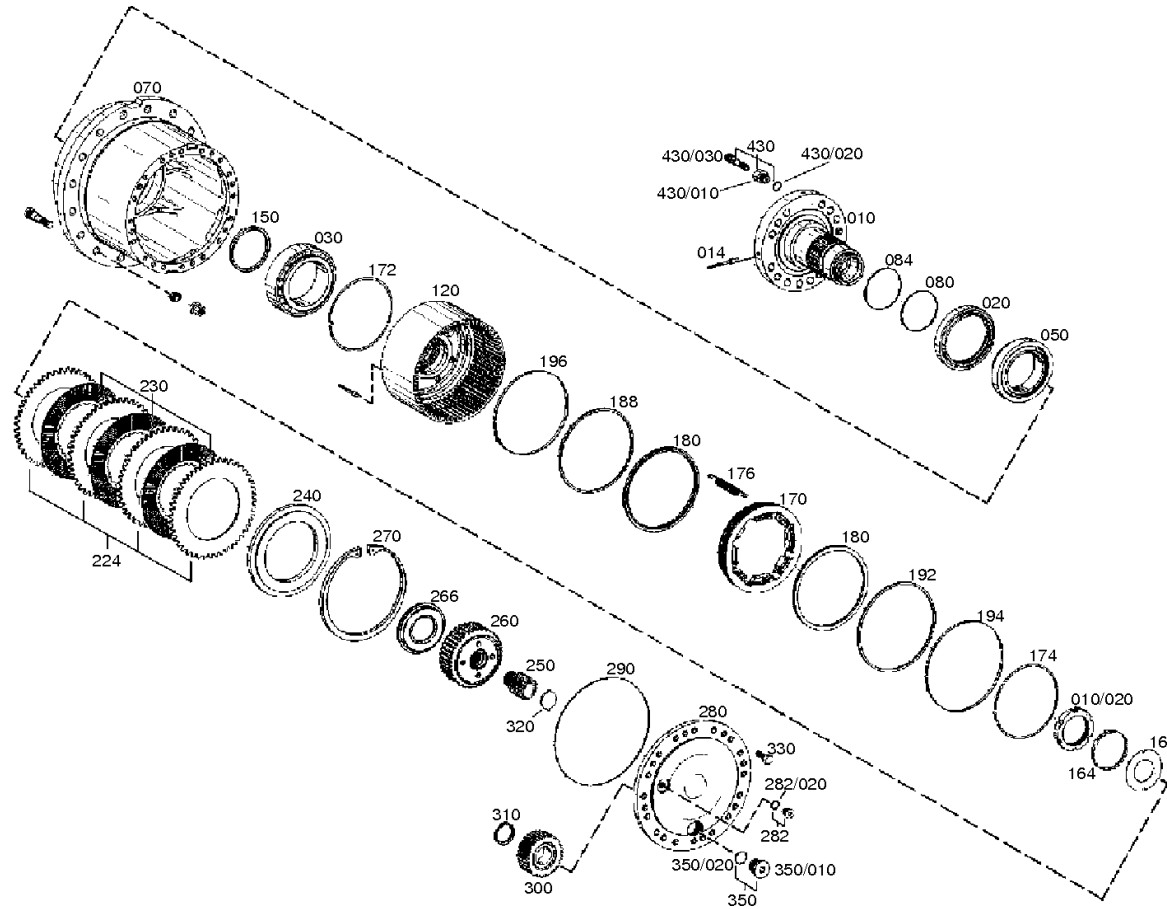
Material number: 4474.004.172

Picture: 447410216900

Material-assembly-group-no: 4474.102.169



STARRACHSE /
OUTPUT



Picture

Page 1 from 1

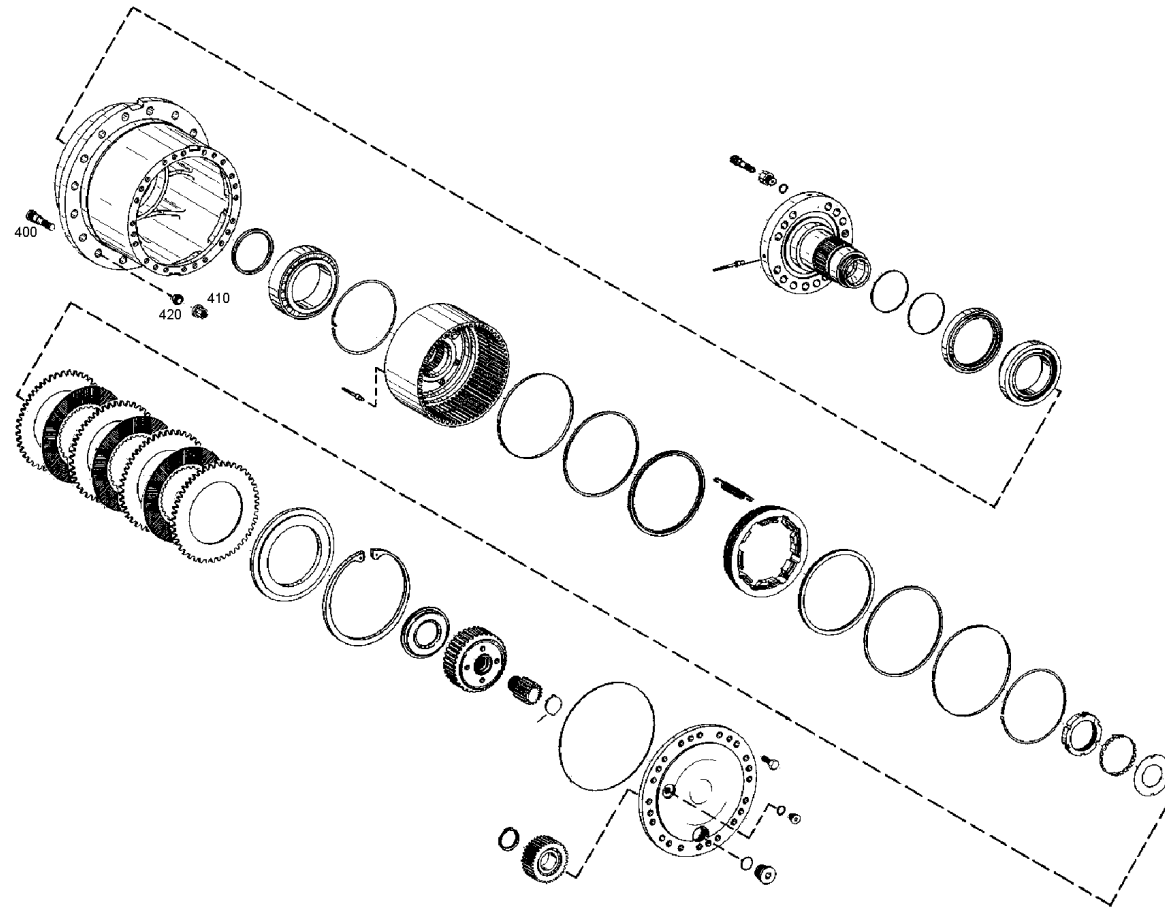
Material number: 4474.004.172

Picture: 447410202102

Material-assembly-group-no: 4474.102.447



STARRACHSE /
OUTPUT



Picture

Page 1 from 1

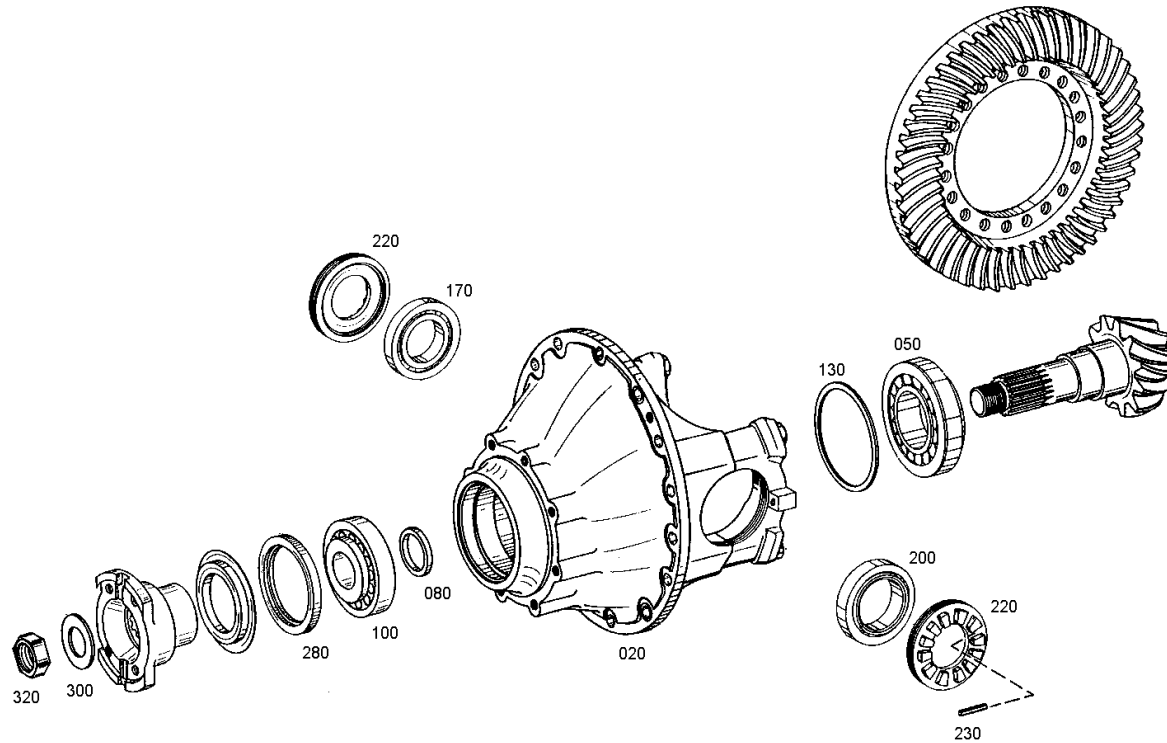
Material number: 4460.005.264

Picture: 446010500201

Material-assembly-group-no: 4460.105.070



STARRACHSE /
HOUSING



Picture

Page 1 from 1

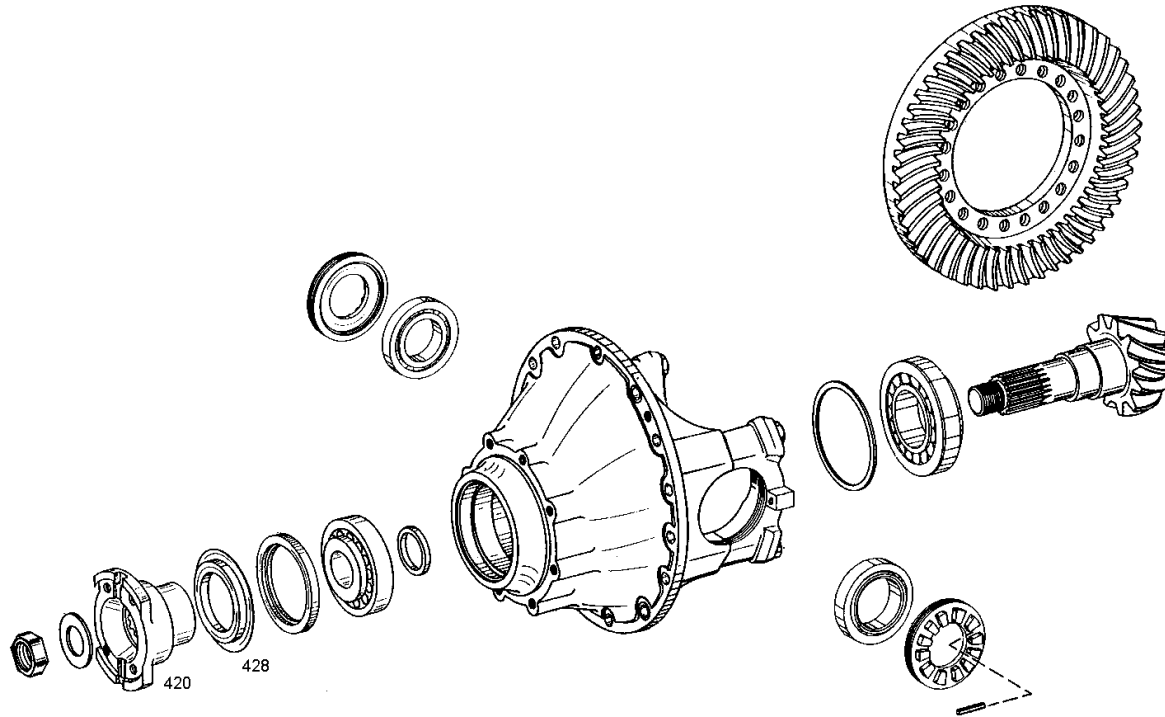
Material number: 4460.005.264

Picture: 446010500202

Material-assembly-group-no: 4460.165.632



STARRACHSE /
INPUT FLANGE



Picture

Page 1 from 1

Material number: 4460.005.264

Picture: 406100906000

Material-assembly-group-no: 4061.009.060



STARRACHSE /
LIMIT.SLIP DIFF

