



Spare Parts Catalog

A 132

Material number: 4474.035.412

Current date: 30.11.2010

ZF Friedrichshafen AG
Hauptverwaltung
80038 Friedrichshafen
Deutschland

Telefon: +49 7541 77-0

Telefax: +49 7541 77-908000

www.zf.com

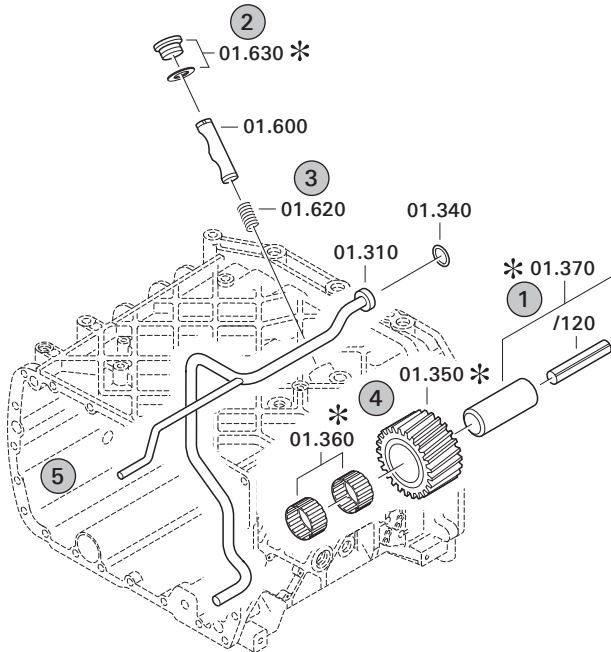
zuständiges Werk:
Passau

Notes relating to the spare parts catalog

Setup of the spare parts catalog

- Cover sheet
- Technical Cover (only in SDM print)
- Overview of figures
- Figure
- Associated parts list
- Next figure
- Associated parts list
- ...

Figure and parts list



Overview of figures

Bildtafel Figure	Sachnummer Product number	Benennung (Description)	Technische Info Technical info	Description (Benennung)	Menge Quantity	Einheit Unit
068.08.17	1316.170.001	AUSLEGER	WL	SHIFT TURRET	1	Stk
068.08.06	1316.170.031	DECKEL	WL*H-H *VM	COVER	1	Stk
068.08.14	1316.170.808	DECKEL	WL*AUSL+GEH*H-H*HF160N	COVER	1	Stk
08	1316.170.441	ANSCHLUSSTEILE	WL*NG-VORB*RG-SCHL*168N *BAJONETT	CONNECTING PARTS	1	Stk

The "gap" indicates that there is no separate graphics panel (poster) for this assembly
The parts of this assembly are shown with the same mid-section number on the figure

1 Positions and subpositions

Pos.	Sachnummer Product number	Benennung (Description)	Technische Info Technical info	Description (Benennung)	Menge Quantity	Einheit Unit
0370	1315.201.054	RUECKLAUFBOLZEN	KPL.16S151*SG*L= 79	REV.IDLER SHAFT	1	Stk
/0120	0631.329.293	SPANNSTIFT		SLOT. PIN	1	Stk

Positions marked with "/" are the individual items of a completion
For example: Position 0370 contains a centering pin with the position /0120

2 Combinations with standardized parts

Pos.	Sachnummer Product number	Benennung (Description)	Technische Info Technical info	Description (Benennung)	Menge Quantity	Einheit Unit
0630		VERSCHL.SCHR.		SCREW PLUG	1	Stk
	0636.302.067	VERSCHL.SCHR.		SCREW PLUG	1	Stk
	0634.801.249	DICHTRING	A 26 X 31	SEALING RING	1	Stk

The parts list shows the components included in the combination of standardized parts

3 Depiction of position/item number on the figure and in the parts list

01.620 - on the figure 01 relates to the assembly in which the position is included. Due to program-related reasons, it is shown on the figure.

0620 - in the parts list

Pos.	Sachnummer Product number	Benennung (Description)	Technische Info Technical info	Description (Benennung)	Menge Quantity	Einheit Unit
0620	0732.040.736	DRUCKFEDER		COMPRESSION SPRING	1	Stk

4 *-Positions

Positions marked with an * are optional i.e. inclusion in the parts list is not mandatory.
The following note is shown on the figure

je nach Stücklistenausführung
depending on spec. number
*
suivant la nomenclature
secondo la distinta base

5 Parts, dotted display

Parts with dotted display on the figure are only used for orientation of other parts

Technical Cover

Page 1 from 3

Material number: 4474.035.412



A 132 /

Pos.	Information	Amendment number
	CUSTOMER:BOVA	
	IDENT-NO.: WITHOUT	
	APPROVAL:	
	QUESTIONNAIRE:	
	MIT VOM	
	PROJEKT-NR.:197442	
	VEHICLE DATA:	
	TRAVELING BUS	
	ENGINE: DAF	
	ENGINE POWER: P=315 KW IN N=2000 UPM	
	INPUT TORQUE: T=1765 NM IN N=1200 RPM	
	GETRIEBE: ZF 8S 180	
	DUAL TIRES: DOUBLE	
	TIRES: 295/80 R 22.5	
	RIM PITCH CIRCLE DIA: 335 MM	
	MAX SPEED: 125,0 KM/H	
	ZAHL DER ACHSEN:2/3 ACHSEN	
	WHEEL BASE:MM	
	PRODUCT DESCRIPTION:	
	AXLE ARRANGEMENT: REAR AXLE	
	UEBERS.BEREICH: I=3,23	
	KEGELTRIEB: I= 3,23 Z=42/13	
	MOUNTING: SPRING MTG.POINTS	
	FLANGE DISTANCE: L=1800	
	WHEEL TRACK: L=1824	
	BRAKE:	
	DISC BRAKE PNEUM.	
	BELAG/VERSCHLEISSANZEIGE: 24/24 HFC3, TEXTAR 7400/	
	KONT.VERSCHLEISSANZEIGE	
	PARKING BRAKE: WITH ABS-SYSTEM	
	DIFF.CARRIER:	
	TYPE: S91/PP	
	SENS OF ROTATION:CLOCKWISE	

Technical Cover

Page 2 from 3

Material number: 4474.035.412



A 132 /

Pos.	Information	Amendment number
	RING GEAR: SPIRAL DIRECTION RIGHT FL.POS.	
	HYPOID: RIGHT UP	
	FLANGE CONN:AD=180 4X15 CROSS-TOOTHED	
	DIFFERENTIAL:	
	TYPE: S 91	
	BEVEL SIDE GEAR SPLINE: N 62X1,25	
	AUFHAENGUNG: OHNE	
	DRAWINGS:	
	SECT.DRAWING: 4474 035 291(0)	
	EINBAU: 4474 635 094(0)	
	TEST SPECIFICATION: 4472 760 004(3)	
	ASSEMBLY INSTRUCTION:	
	GAP BETWEEN AXLE AND HUB-CARRIER WITH DREI-BOND GROUND. .	
	PURITYCLASS: PROCESSIONSTR. NO.16067003	
	ADJUSTMENT: 3,5 - 11,5 NM ROLLING MOMENT PINION	
	ADJUSTMENT: 3,5 - 4,5 NM ROLLING MOMENT/DIFF	
	COVER MOUNTING FACE OF RIM WITH 4474 385 100 TO	
	PROTECT AGAINST PAINT.	
	DISCLOSE COVER 4474 385 100 AFTER PAINTING AND PROTECT MOU	
	DISCLOSE COVER 4474 385 100 AFTER PAINTING AND PROTECT	
	MOUNTING FACE OF RIM AGAINST CORROSION WITH APPRCP.	
	ANTI-CORROSIV AGENT.	
	AUXILIARY UNIT	
	OIL CAPACITY:	
	ACHSBRUECKE: CA.21,40L	
	NABE/JE: 0,117-0,128 KG FETT	
	TOTAL: CA.21,40L	
	WITH OIL: YES WEEK/YEAR	
	OIL: SPEZIFIC.:API GL-5 TE-ML 12	
	BRAKE CONTROLL	
	WEIGHT: 716KG	
	COLOUR: 5 BLACK RAL 9005	
	PACKING:	

Technical Cover

Page 3 from 3

Material number: 4474.035.412



A 132 /

Pos.	Information	Amendment number
	MISCELLANEOUS/REMARKS:	
	COLOURLESS SURFACE SEE INST.DRAWING	
	*	

Assembly group overview

Page 1 from 1

Material number: 4474.035.412



A 132 /

Picture	Pos.	Material number	Name	Quantity	Amend. no.	Techn. Info.
446019104600	10	4460.191.046	AXLE DRIVE	1		
446009122100	10	4460.091.221	S 91 PP	1		
446019163500	400	4460.191.635	INPUT FLANGE	1		
447211105800	40	4472.111.058	AXLE CASING	1		
446029103900	500	4460.291.039	BEVEL GEAR SET	1		
447211161900	50	4472.111.619	AXLE CASING	1		
446119102700	550	4461.191.027	DIFFERENTIAL	1		
447211302900	60	4472.113.029	OUTPUT	1		
447211348300	70	4472.113.483	OUTPUT	1		
446212297901	20	4462.122.979	BRAKE	1		
446212265900	30	4462.122.659	BRAKE	1		

Picture

Page 1 from 1

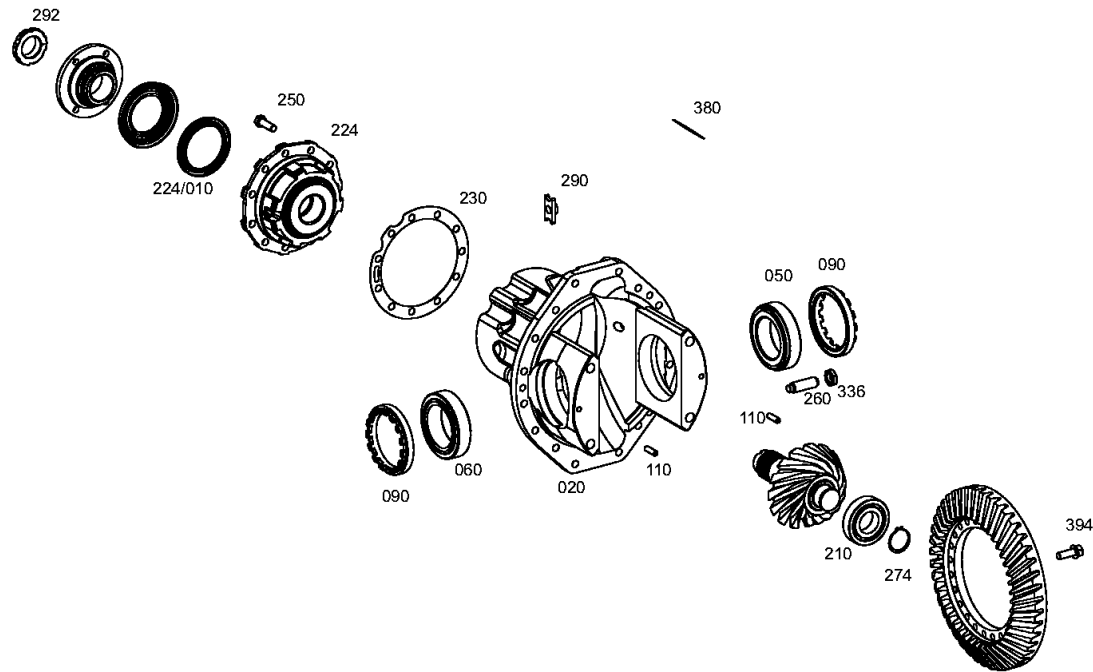
Material number: 4474.035.412

Picture: 446019104600

Material-assembly-group-no: 4460.191.046



A 132 /
AXLE DRIVE



Picture

Page 1 from 3

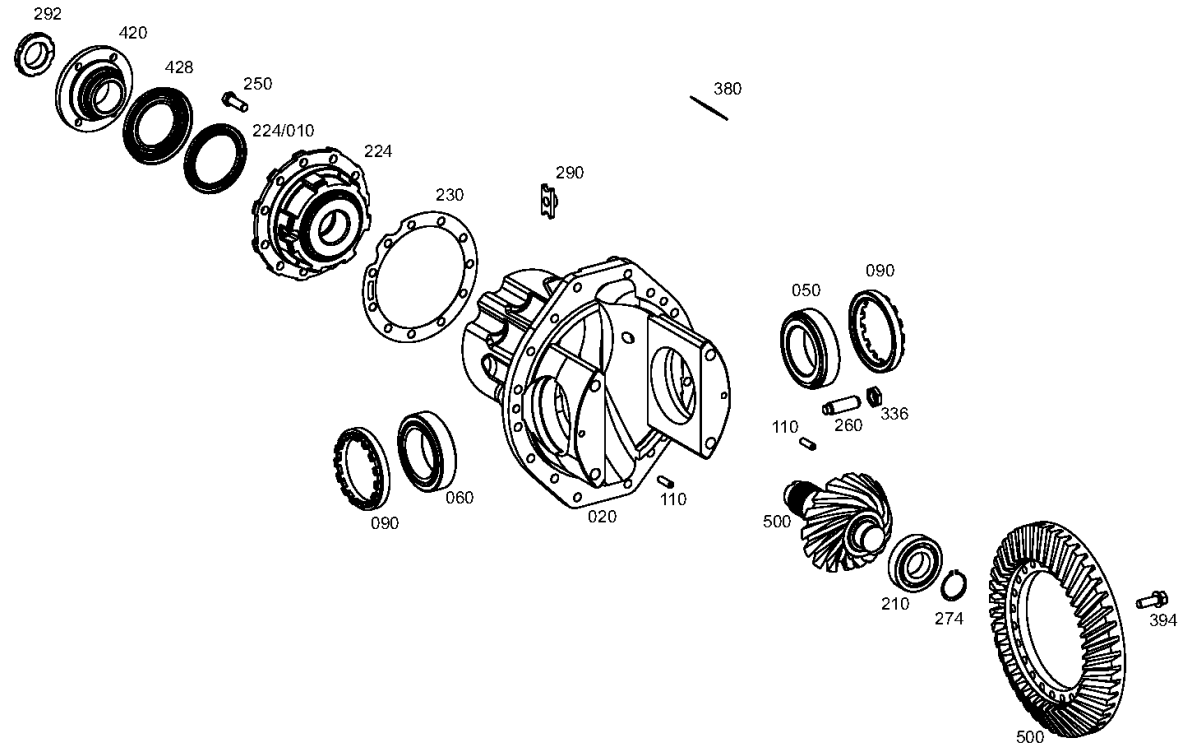
Material number: 4474.035.412

Picture: 446009122100

S 91 PP



A 132 /
S 91 PP



Picture

Page 2 from 3

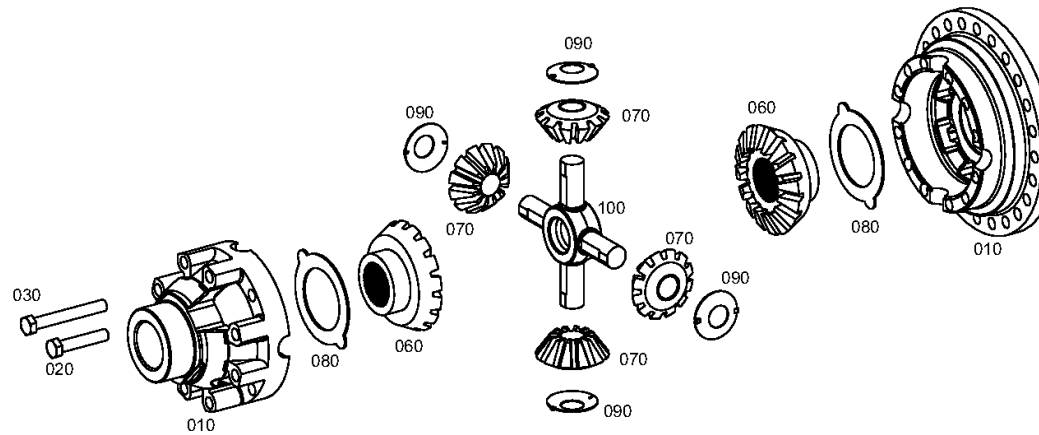
Material number: 4474.035.412

Picture: 446009122150

S 91 PP



A 132 /
S 91 PP



Picture

Page 3 from 3

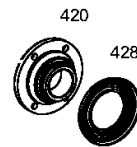
Material number: 4474.035.412

Picture: 446019163500

S 91 PP



A 132 /
S 91 PP



Picture

Page 2 from 2

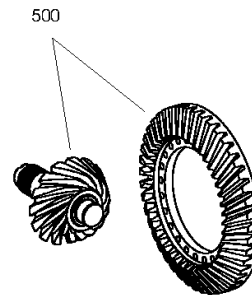
Material number: 4474.035.412

Picture: 446029103900

AXLE CASING



A 132 /
AXLE CASING



Picture

Page 1 from 2

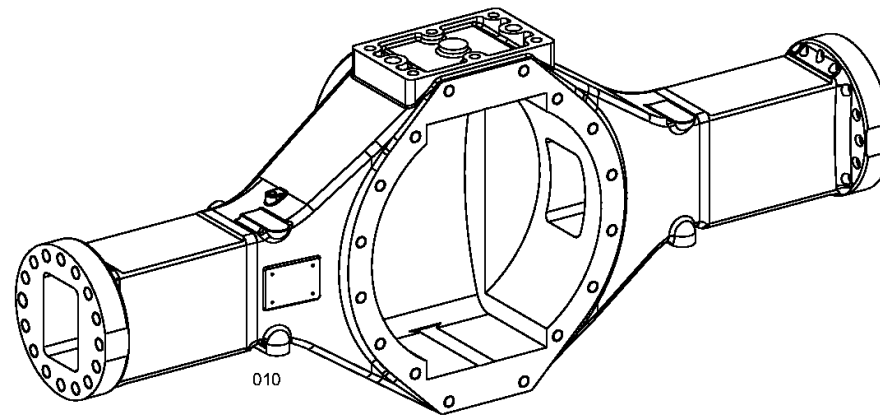
Material number: 4474.035.412

Picture: 447211161900

AXLE CASING



A 132 /
AXLE CASING



Picture

Page 2 from 2

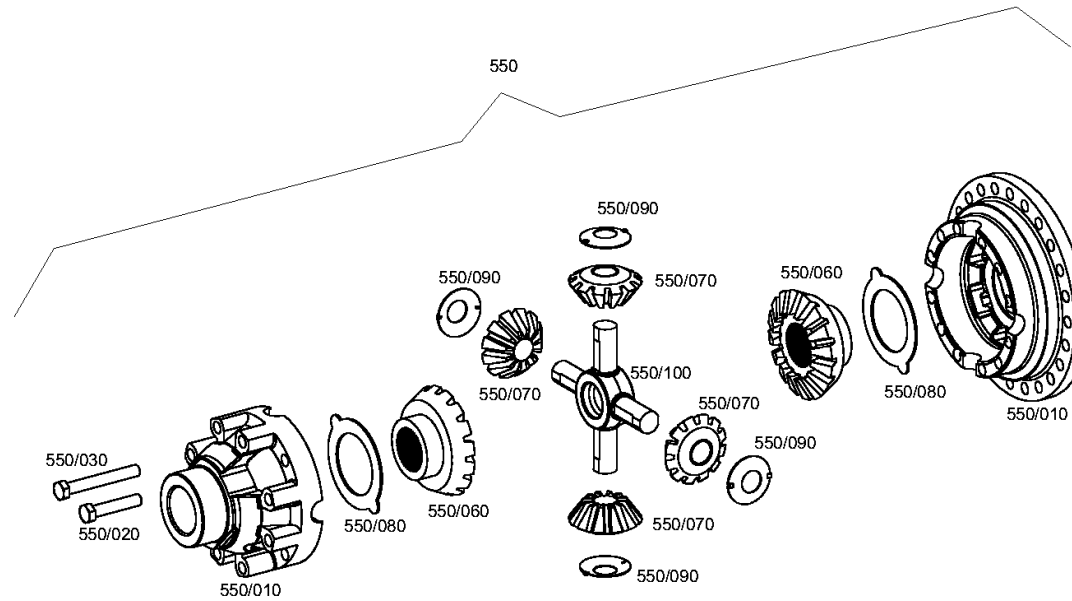
Material number: 4474.035.412

Picture: 446119102700

AXLE CASING



A 132 /
AXLE CASING



Picture

Page 1 from 1

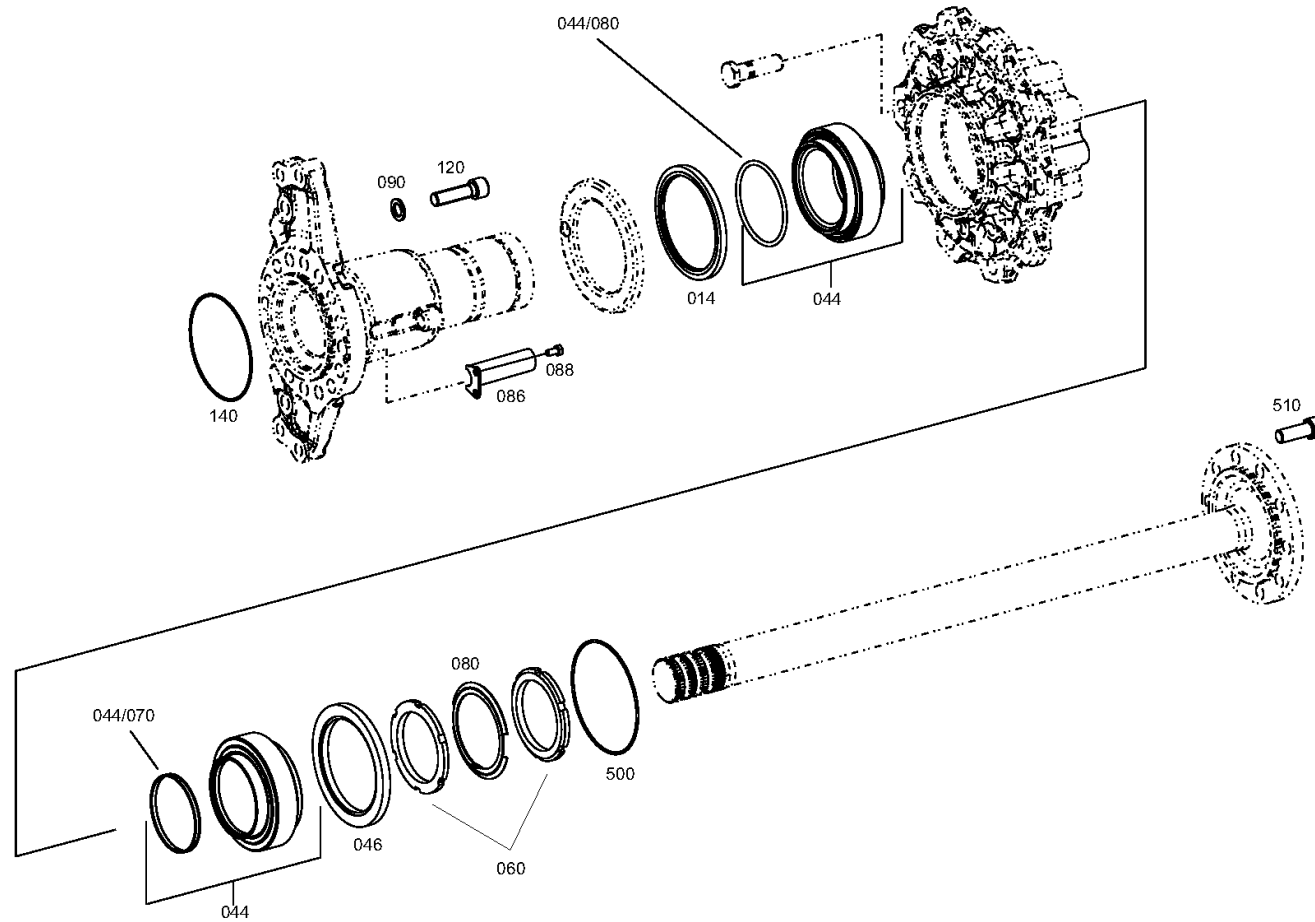
Material number: 4474.035.412

Picture: 447211302900

Material-assembly-group-no: 4472.113.029



A 132 /
OUTPUT



Picture

Page 1 from 1

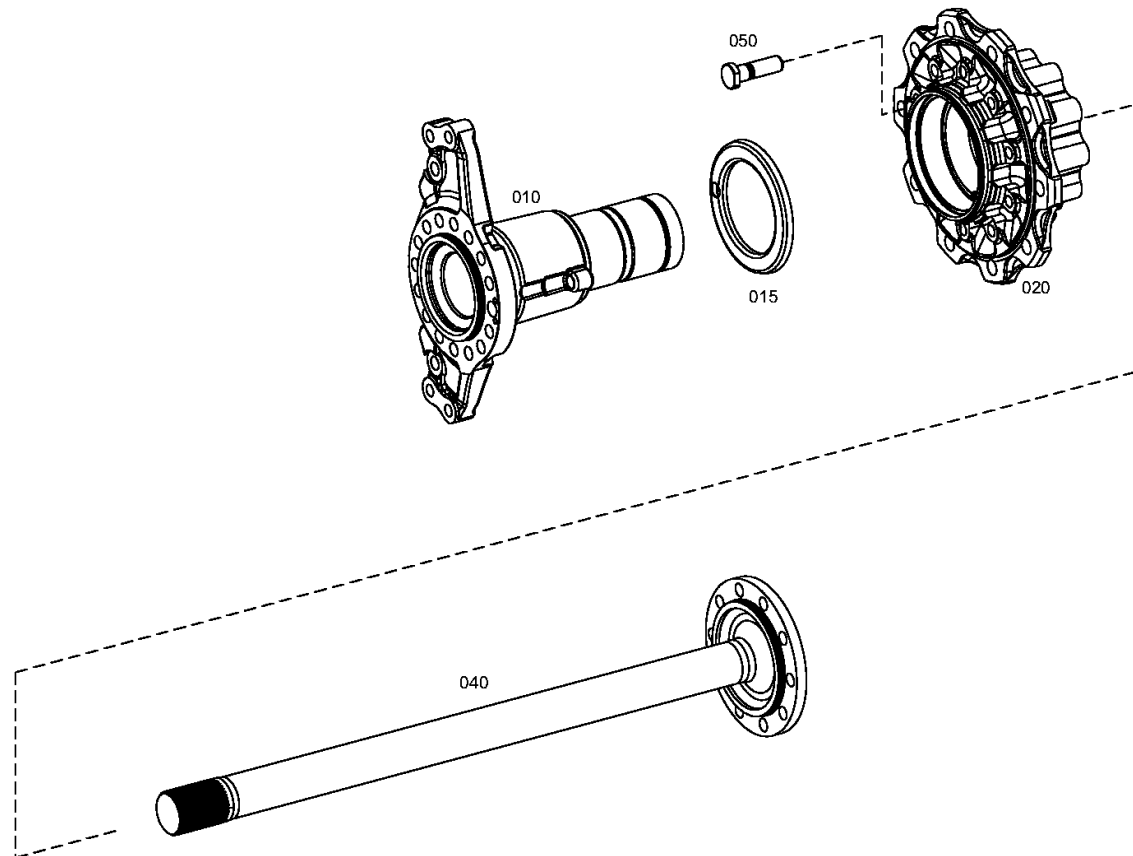
Material number: 4474.035.412

Picture: 447211348300

Material-assembly-group-no: 4472.113.483



A 132 /
OUTPUT



Picture

Page 1 from 3

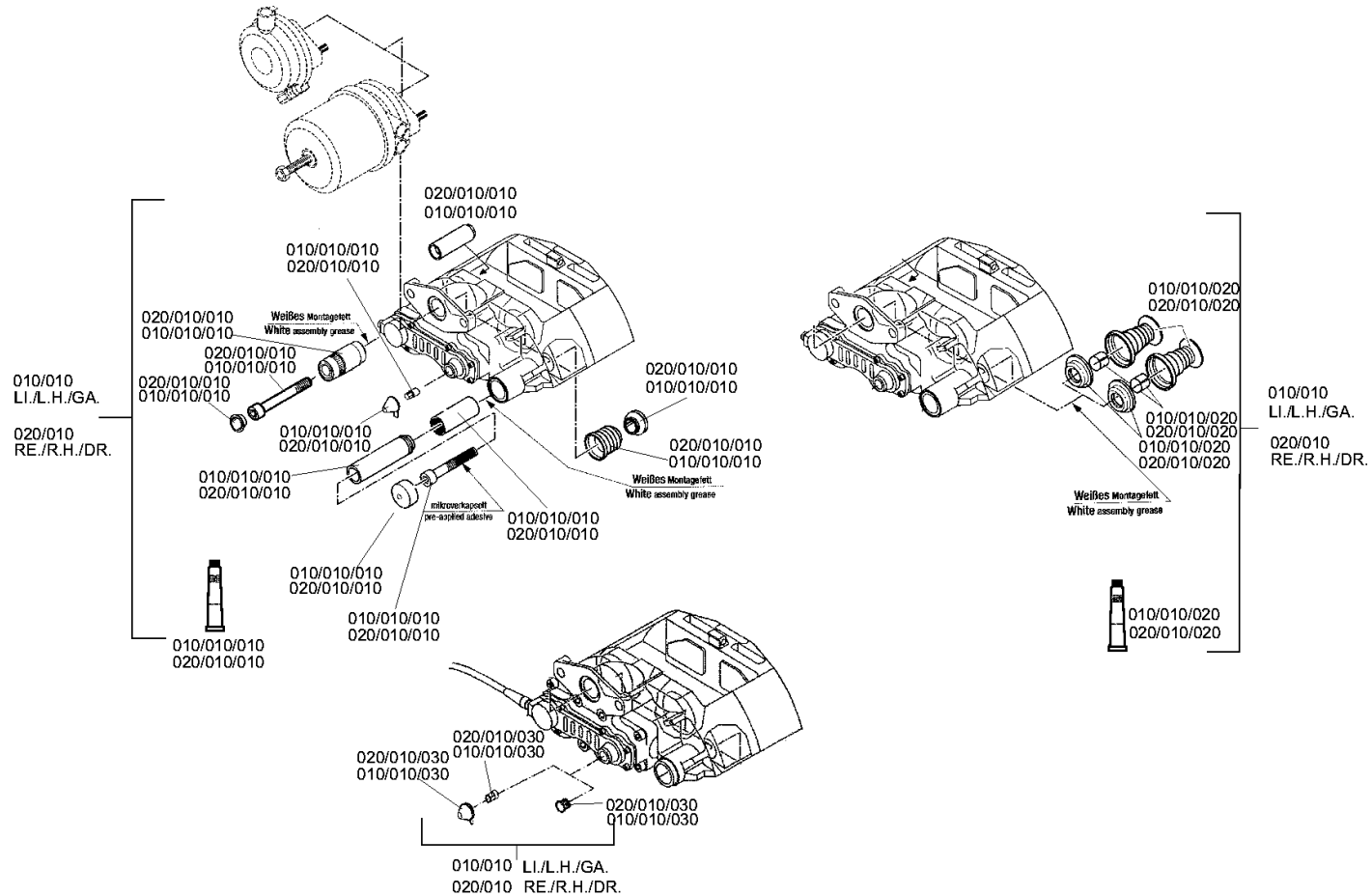
Material number: 4474.035.412

Picture: 446212297901

Material-assembly-group-no: 4462.122.979



A 132 /
BRAKE



Picture

Page 2 from 3

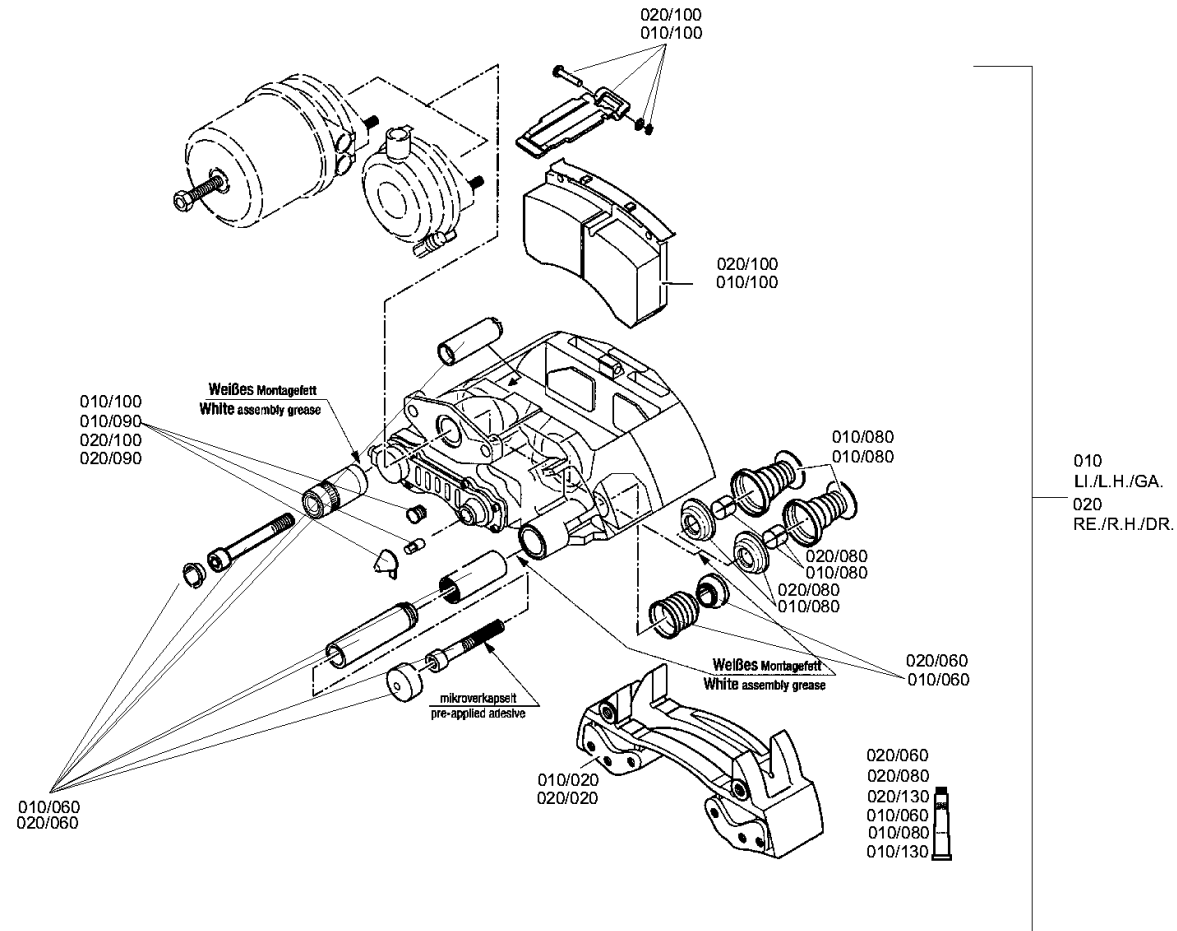
Material number: 4474.035.412

Picture: 446212297902

Material-assembly-group-no: 4462.122.979



A 132 /
BRAKE



Picture

Page 3 from 3

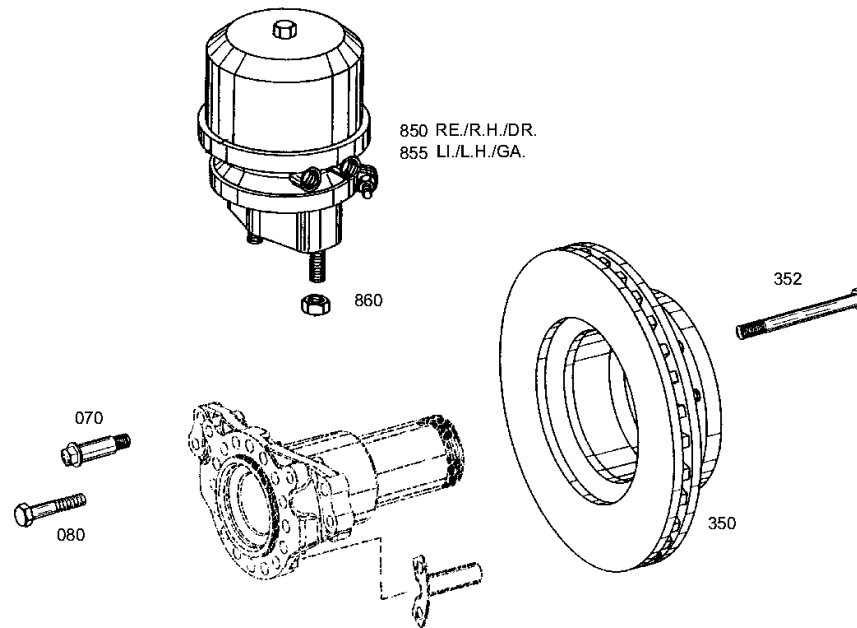
Material number: 4474.035.412

Picture: 446212297903

Material-assembly-group-no: 4462.122.979



A 132 /
BRAKE



Picture

Page 1 from 1

Material number: 4474.035.412

Picture: 446212265900

Material-assembly-group-no: 4462.122.659



A 132 /
BRAKE

