



# Spare Parts Catalog

MT-L 3075 II

Material number: 4474.051.328

Current date: 18.04.2022

ZF Friedrichshafen AG  
Hauptverwaltung  
80038 Friedrichshafen  
Deutschland

Telefon: +49 7541 77-0

Telefax: +49 7541 77-908000

[www.zf.com](http://www.zf.com)

zuständiges Werk:  
Passau

# Notes relating to the spare parts catalog

## Setup of the spare parts catalog

- Cover sheet
- Technical Cover (only in SDM print)
- Overview of figures
- Figure
- Associated parts list
- Next figure
- Associated parts list
- ...

## Figure and parts list



## Overview of figures

Bildtafel Figure	Sachnummer Product number	Benennung (Description)	Technische Info Technical info	Description (Benennung)	Menge Quantity	Einheit Unit
068.08.17	1316.170.001	AUSLEGER	WL	SHIFT TURRET	1	Stk
068.08.06	1316.170.031	DECKEL	WL*H-H *VM	COVER	1	Stk
068.08.14	1316.170.808	DECKEL	WL*AUSL+GEH*H-H*HF160N	COVER	1	Stk
08	1316.170.441	ANSCHLUSSTEILE	WL*NG-VORB*RG-SCHL*168N *BAJONETT	CONNECTING PARTS	1	Stk

The "gap" indicates that there is no separate graphics panel (poster) for this assembly  
The parts of this assembly are shown with the same mid-section number on the figure

### 1 Positions and subpositions

Pos.	Sachnummer Product number	Benennung (Description)	Technische Info Technical info	Description (Benennung)	Menge Quantity	Einheit Unit
0370	1315.201.054	RUECKLAUFBOLZEN	KPL.16S151*SG*L= 79	REV.IDLER SHAFT	1	Stk
/0120	0631.329.293	SPANNSTIFT		SLOT. PIN	1	Stk

Positions marked with "/" are the individual items of a completion  
For example: Position 0370 contains a centering pin with the position /0120

### 2 Combinations with standardized parts

Pos.	Sachnummer Product number	Benennung (Description)	Technische Info Technical info	Description (Benennung)	Menge Quantity	Einheit Unit
0630		VERSCHL.SCHR.		SCREW PLUG	1	Stk
	0636.302.067	VERSCHL.SCHR.		SCREW PLUG	1	Stk
	0634.801.249	DICHTRING	A 26 X 31	SEALING RING	1	Stk

The parts list shows the components included in the combination of standardized parts

### 3 Depiction of position/item number on the figure and in the parts list

01.620 - on the figure      01 relates to the assembly in which the position is included. Due to program-related reasons, it is shown on the figure.

0620 - in the parts list

Pos.	Sachnummer Product number	Benennung (Description)	Technische Info Technical info	Description (Benennung)	Menge Quantity	Einheit Unit
0620	0732.040.736	DRUCKFEDER		COMPRESSION SPRING	1	Stk

### 4 \*-Positions

Positions marked with an \* are optional i.e. inclusion in the parts list is not mandatory.  
The following note is shown on the figure

je nach Stücklistenausführung  
depending on spec. number  
\*  
suivant la nomenclature  
secondo la distinta base

### 5 Parts, dotted display

Parts with dotted display on the figure are only used for orientation of other parts

# Technical Cover

Page 1 from 2

Material number: 4474.051.328



MT-L 3075 II /

Pos.	Information	Amendment number
	CUSTOMER: JCB	
	CUSTOMER-IDENT-NO.: 333/T0611	
	VEHICLE DESIGNATION: 436 ZX	
	TYRE SIZE: 20,5 R25 XHA	
	TYRE RADIUS DYN.: 0,703 M	
	MAX. SPEED: 43 KM/H	
	TRACK WIDTH: 2.070 MM	
	PRODUCT DESCRIPTION: ZF- MULTITRAC-AXLE	
	VEHICLE TYPE: WHEEL LOADER	
	AXLE TYPE: MT-L 3075 II	
	VERSION: RIGID	
	AXLE ARRANGEMENT: REAR AXLE	
	DIRECTION OF ROTATION: CCW	
	CROWN WHEEL POSITION: LEFT	
	SPIRAL DIRECTION: LEFT	
	INPUT FLANGE: DS 1550	
	FLANGE TO FLANGE DIM.: 2.083 MM	
	AXLE INSTALLATION: CENTER TRUNNION W/O BRACKETS	
	MOUNTING DIMENSIONS: WITHOUT MACHINING	
	BRAKE TUBE: INTERNAL	
	VS BREMSLEITUNG: SONDER	
	MAIN DIFFERENTIAL: LIMITED-SLIP DIFFERENTIAL	
	DIFFERENTIAL TYPE/SIZE: DZ 1200	
	LOCKING RATIO: 30%	
	AXLE RATIO: 20,365	
	PLANETARY DRIVE: P4, I=6,4	
	SEALING TYPE OF SHAFT S STANDARD	
	BRAKE : SERVICE BRAKE	
	SERVICE BRAKE : 2X MULTI-DISC BRAKE 345X264X4	
	MULTI-DISC BRAKE: PAPER-LINED CLUTCH DISC	
	PISTON SEAL: STANDARD	
	BRAKE PORT SIZE: M18 X 1,5 VERTIKAL	
	RIM PITCH CIRCLE DIAM.: 425,00 MM	

# Technical Cover

Page 2 from 2

Material number: 4474.051.328



MT-L 3075 II /

Pos.	Information	Amendment number
	WHEEL CONNECTION: BOLT 12 X M22 X 1,5	
	WHEEL NUTS: WITHOUT	
	OIL FILLING AXLE DRIVE: WITH	
	OIL FILLER: STANDARD	
	AXLE OIL COOLING: WITHOUT	
	OIL - GRADE AXLE DRIVE: SAE 90 LS ACCORDING TE-ML 05C	
	OIL - GRADE ALLOWED: TE ML 05 C/D/E/F/G	
	PRIMER PAINT: GRAPHITE-BLACK RAL 9011	
	PAINT-FREE AREA: INPUT FLANGE	
	TYPE PLATE	
	TYPE PLATE: ZF- STANDARD	
	AXLE BREATHER: WITHOUT	
	SEPERATE ORDER CUSTOMER 0732.612.001 AXLE BREATHER	
	OIL FILL QUANTITY CA: 23,00 L	
	DOCUMENTATION: -----	
	SECTION DRAWING: 4474.050.229	
	INSTALLATION DRAWING: 4474.651.228	
	INSTALLATION INSTRUCTIO 4474.700.088	
	TESTING INSTRUCTION: 4474.760.009	
	ASSEMBLY INSTRUCTION: 4474.700.084	

# Assembly group overview

Page 1 from 1



MT-L 3075 II /

Material number: 4474.051.328

Picture	Pos.	Material number	Name	Quantity	Amend. no.	Techn. Info.
447415300200	60	4474.153.002	AXLE DRIVE HOUSING	1		
447415400200	10	4474.154.002	INPUT	1		
446016564350	20	4460.165.643	INPUT FLANGE	1		
448206100800	30	4482.061.008	DIFFERENTIAL 1200	1		
447415504700	70	4474.155.047	AXLE CASING	1		
447415620400	130	4474.156.204	OUTPUT	1		
447415703400	40	4474.157.034	BRAKE	1		
447415504700	80	4474.155.047	AXLE CASING	1		
447415620400	140	4474.156.204	OUTPUT	1		
447415703400	50	4474.157.034	BRAKE	1		
447415803300	160	4474.158.033	AXLE PARTS	1		

# Picture

Page 1 from 1

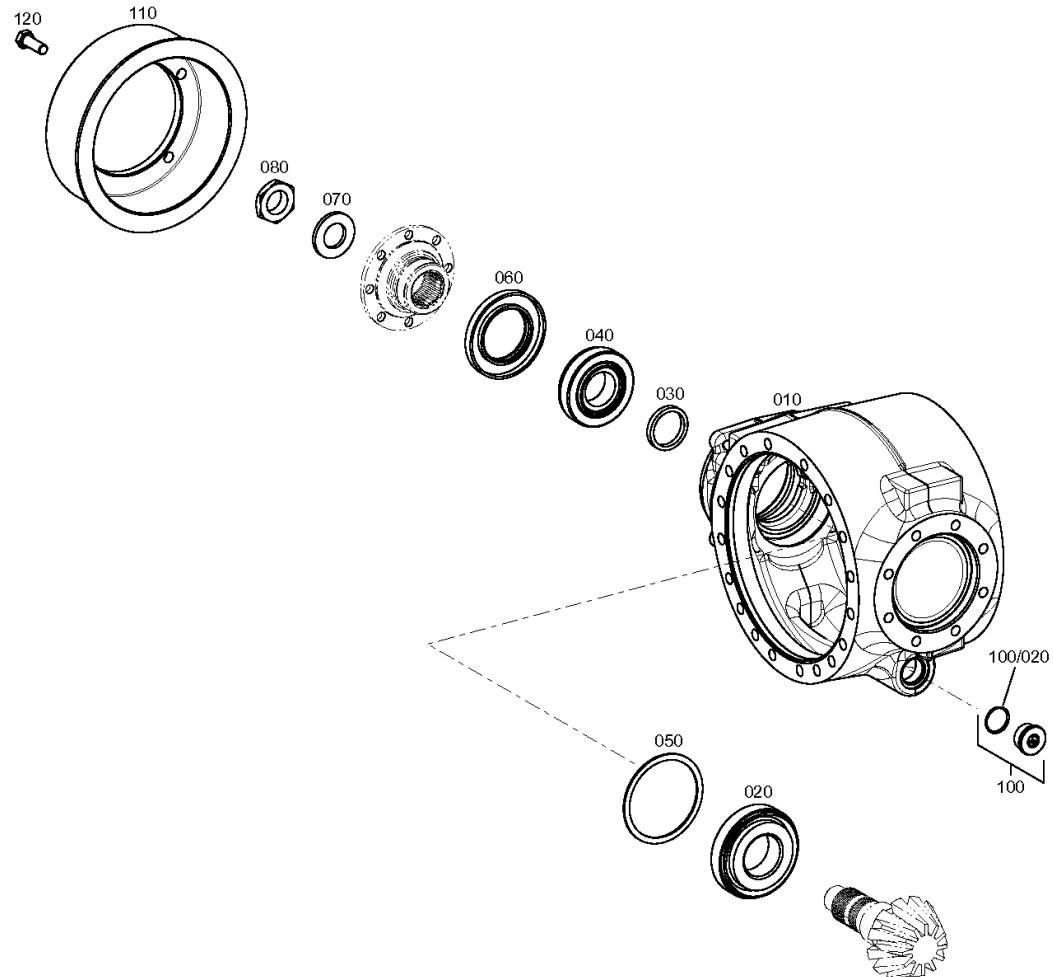
Material number: 4474.051.328

Picture: 447415300200

Material-assembly-group-no: 4474.153.002



MT-L 3075 II /  
AXLE DRIVE HOUSING



# Picture

Page 1 from 1

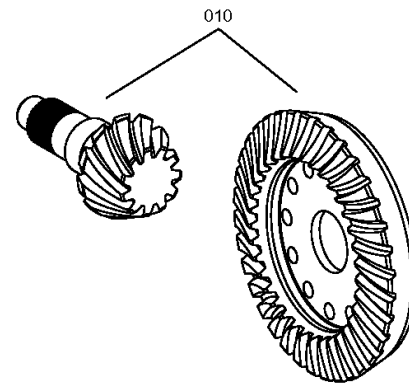
Material number: 4474.051.328

Picture: 447415400200

Material-assembly-group-no: 4474.154.002



MT-L 3075 II /  
INPUT



# Picture

Page 1 from 1

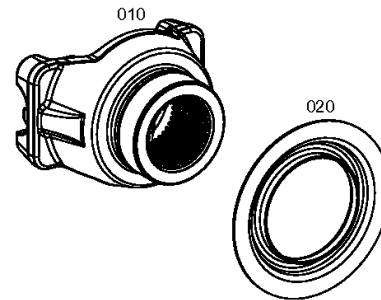
Material number: 4474.051.328

Picture: 446016564350

Material-assembly-group-no: 4460.165.643



MT-L 3075 II /  
INPUT FLANGE





# Picture

Page 1 from 2

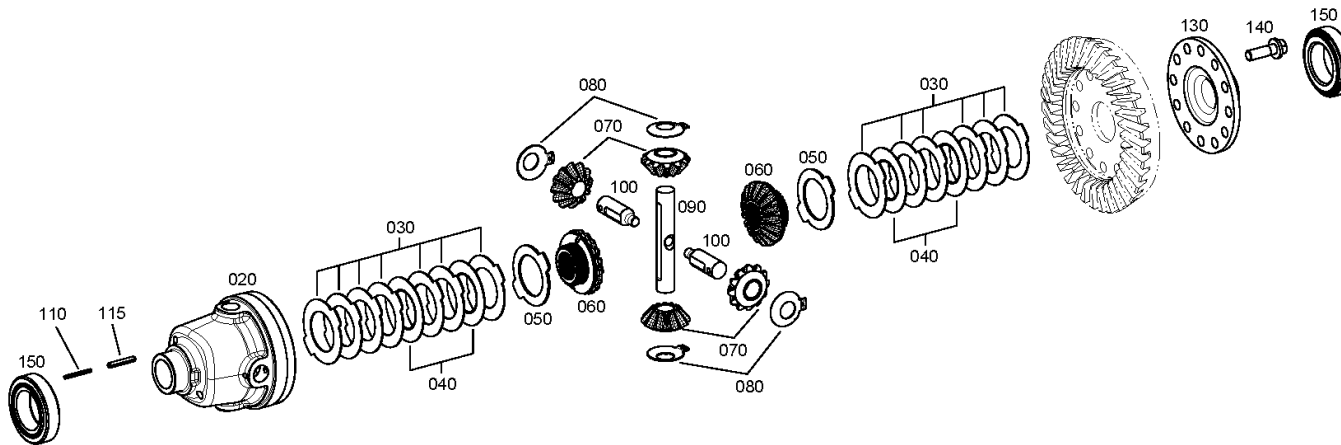
Material number: 4474.051.328

Picture: 448206100800

Material-assembly-group-no: 4482.061.008



MT-L 3075 II /  
DIFFERENTIAL 1200



# Picture

Page 2 from 2

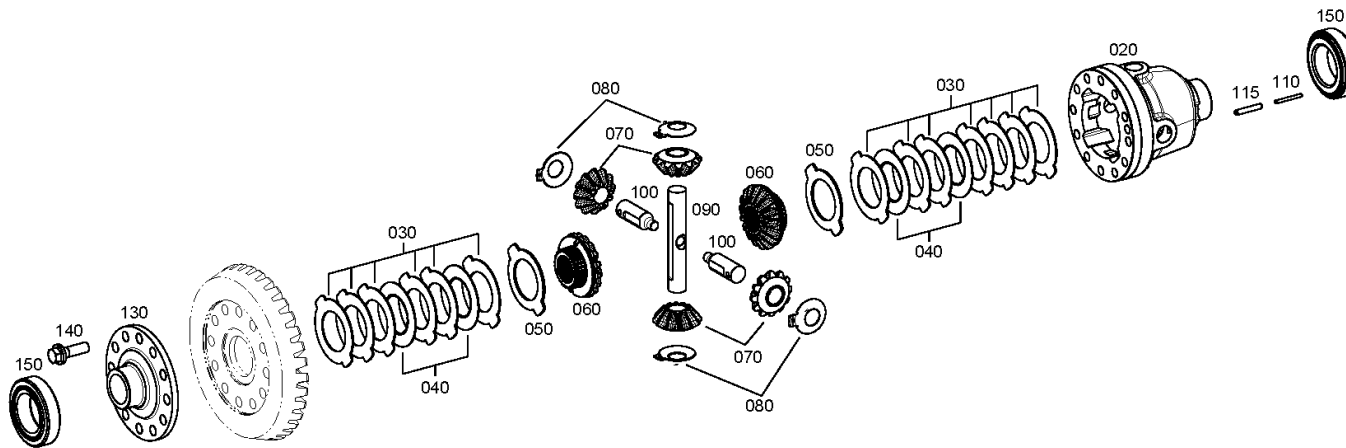
Material number: 4474.051.328

Picture: 448206100850

Material-assembly-group-no: 4482.061.008



MT-L 3075 II /  
DIFFERENTIAL 1200



# Picture

Page 1 from 1

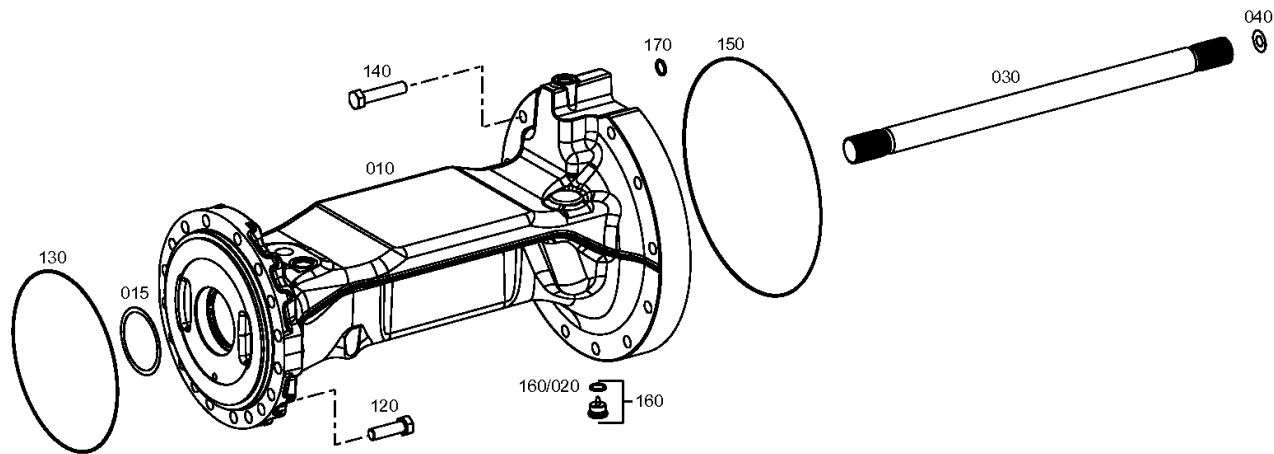
Material number: 4474.051.328

Picture: 447415504700

Material-assembly-group-no: 4474.155.047



MT-L 3075 II /  
AXLE CASING



# Picture

Page 1 from 1

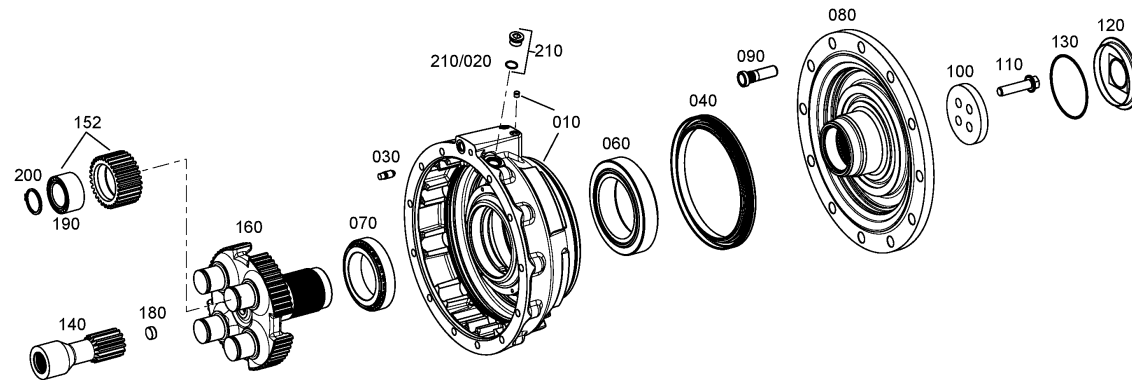
Material number: 4474.051.328

Picture: 447415620400

Material-assembly-group-no: 4474.156.204



MT-L 3075 II /  
OUTPUT



# Picture

Page 1 from 1

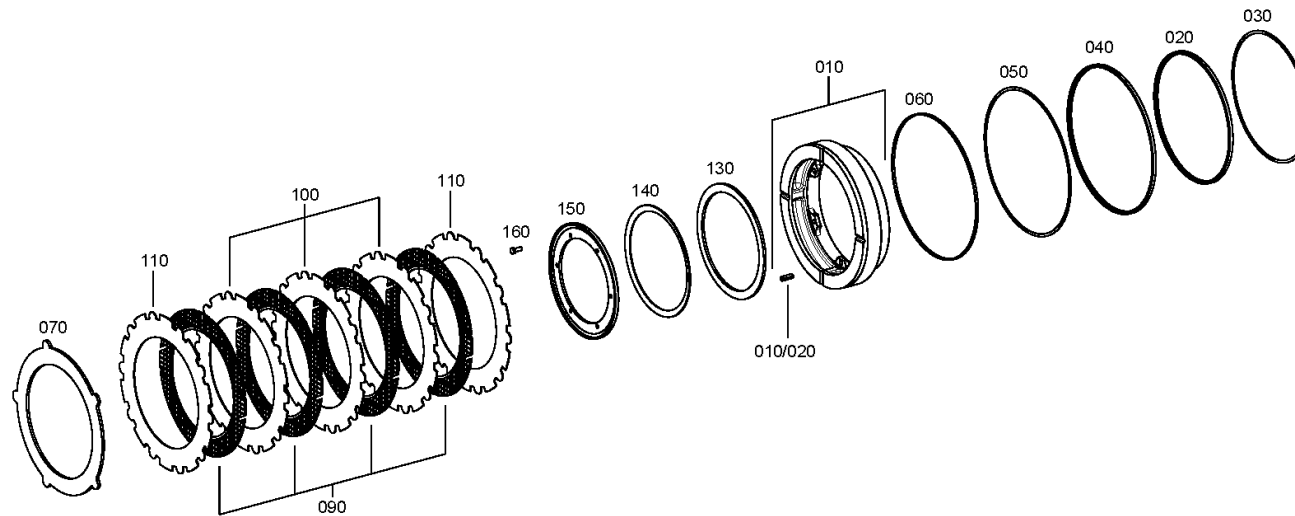
Material number: 4474.051.328

Picture: 447415703400

Material-assembly-group-no: 4474.157.034



MT-L 3075 II /  
BRAKE



rechts/links  
right/left  
destra/sinistra  
droite/gauche  
derecho/izquierdo

# Picture

Page 1 from 1

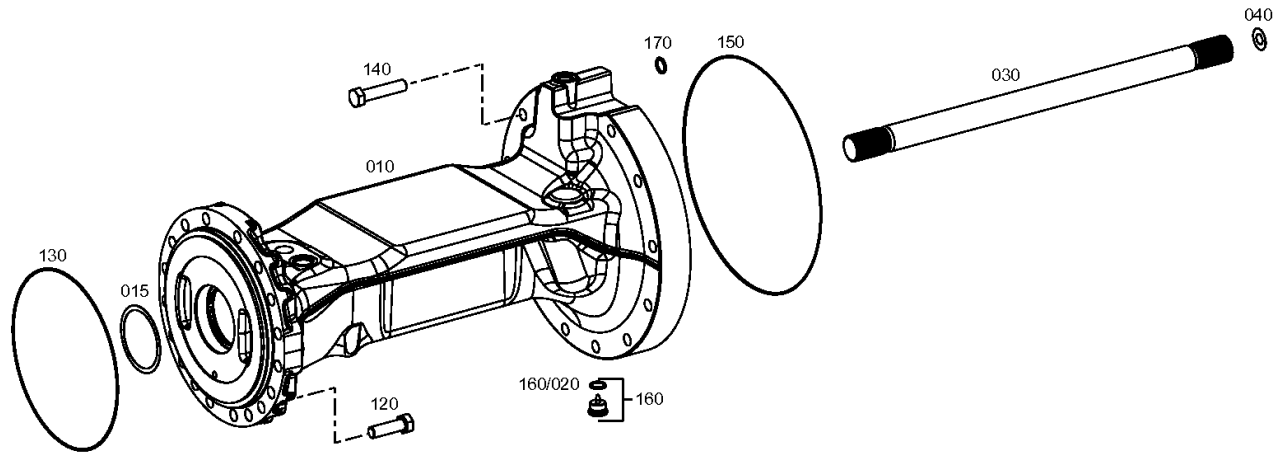
Material number: 4474.051.328

Picture: 447415504700

Material-assembly-group-no: 4474.155.047



MT-L 3075 II /  
AXLE CASING



# Picture

Page 1 from 1

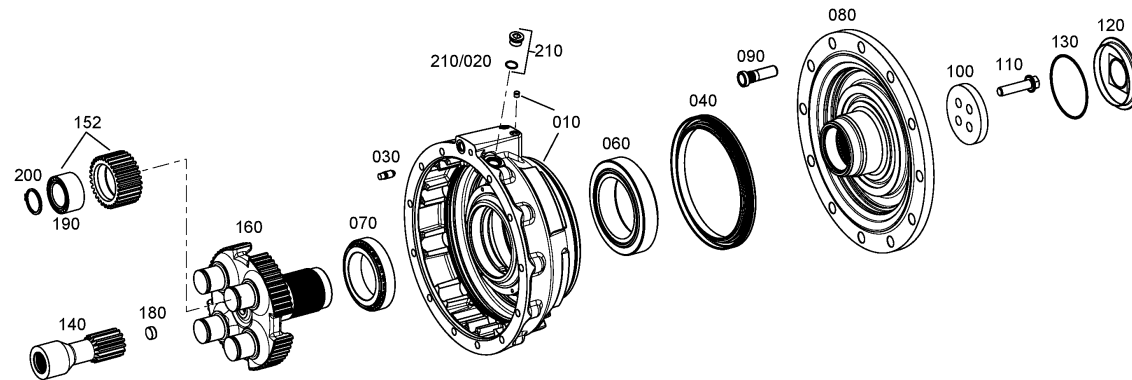
Material number: 4474.051.328

Picture: 447415620400

Material-assembly-group-no: 4474.156.204



MT-L 3075 II /  
OUTPUT



# Picture

Page 1 from 1

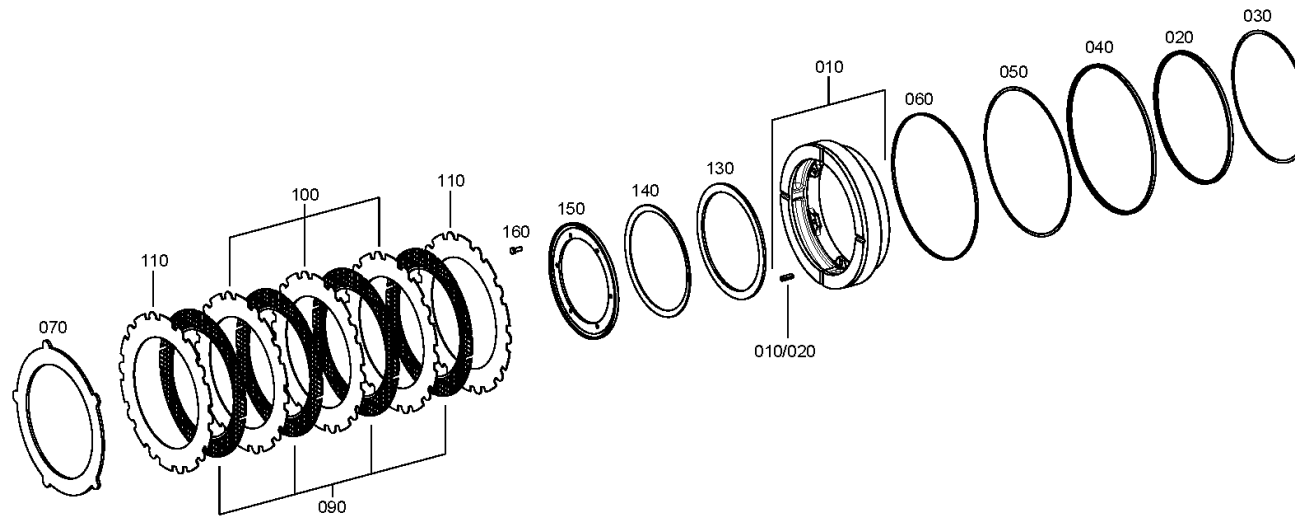
Material number: 4474.051.328

Picture: 447415703400

Material-assembly-group-no: 4474.157.034



MT-L 3075 II /  
BRAKE



rechts/links  
right/left  
destra/sinistra  
droite/gauche  
derecho/izquierdo



# Picture

Page 1 from 1

Material number: 4474.051.328

Picture: 447415803300

Material-assembly-group-no: 4474.158.033



MT-L 3075 II /  
AXLE PARTS

