



# Spare Parts Catalog

MT-L 3075 II

Material number: 4474.051.407

Current date: 18.03.2021

ZF Friedrichshafen AG  
Hauptverwaltung  
80038 Friedrichshafen  
Deutschland

Telefon: +49 7541 77-0

Telefax: +49 7541 77-908000

[www.zf.com](http://www.zf.com)

zuständiges Werk:  
Passau

# Notes relating to the spare parts catalog

## Setup of the spare parts catalog

- Cover sheet
- Technical Cover (only in SDM print)
- Overview of figures
- Figure
- Associated parts list
- Next figure
- Associated parts list
- ...

## Figure and parts list



## Overview of figures

| Bildtafel<br>Figure | Sachnummer<br>Product number | Benennung<br>(Description) | Technische Info<br>Technical info | Description<br>(Benennung) | Menge<br>Quantity | Einheit<br>Unit |
|---------------------|------------------------------|----------------------------|-----------------------------------|----------------------------|-------------------|-----------------|
| 068.08.17           | 1316.170.001                 | AUSLEGER                   | WL                                | SHIFT TURRET               | 1                 | Stk             |
| 068.08.06           | 1316.170.031                 | DECKEL                     | WL*H-H *VM                        | COVER                      | 1                 | Stk             |
| 068.08.14           | 1316.170.808                 | DECKEL                     | WL*AUSL+GEH*H-H*HF160N            | COVER                      | 1                 | Stk             |
| 08                  | 1316.170.441                 | ANSCHLUSSTEILE             | WL*NG-VORB*RG-SCHL*168N *BAJONETT | CONNECTING PARTS           | 1                 | Stk             |

The "gap" indicates that there is no separate graphics panel (poster) for this assembly  
The parts of this assembly are shown with the same mid-section number on the figure

### 1 Positions and subpositions

| Pos.  | Sachnummer<br>Product number | Benennung<br>(Description) | Technische Info<br>Technical info | Description<br>(Benennung) | Menge<br>Quantity | Einheit<br>Unit |
|-------|------------------------------|----------------------------|-----------------------------------|----------------------------|-------------------|-----------------|
| 0370  | 1315.201.054                 | RUECKLAUFBOLZEN            | KPL.16S151*SG*L= 79               | REV.IDLER SHAFT            | 1                 | Stk             |
| /0120 | 0631.329.293                 | SPANNSTIFT                 |                                   | SLOT. PIN                  | 1                 | Stk             |

Positions marked with "/" are the individual items of a completion  
For example: Position 0370 contains a centering pin with the position /0120

### 2 Combinations with standardized parts

| Pos. | Sachnummer<br>Product number | Benennung<br>(Description) | Technische Info<br>Technical info | Description<br>(Benennung) | Menge<br>Quantity | Einheit<br>Unit |
|------|------------------------------|----------------------------|-----------------------------------|----------------------------|-------------------|-----------------|
| 0630 |                              | VERSCHL.SCHR.              |                                   | SCREW PLUG                 | 1                 | Stk             |
|      | 0636.302.067                 | VERSCHL.SCHR.              |                                   | SCREW PLUG                 | 1                 | Stk             |
|      | 0634.801.249                 | DICHTRING                  | A 26 X 31                         | SEALING RING               | 1                 | Stk             |

The parts list shows the components included in the combination of standardized parts

### 3 Depiction of position/item number on the figure and in the parts list

01.620 - on the figure      01 relates to the assembly in which the position is included. Due to program-related reasons, it is shown on the figure.

0620 - in the parts list

| Pos. | Sachnummer<br>Product number | Benennung<br>(Description) | Technische Info<br>Technical info | Description<br>(Benennung) | Menge<br>Quantity | Einheit<br>Unit |
|------|------------------------------|----------------------------|-----------------------------------|----------------------------|-------------------|-----------------|
| 0620 | 0732.040.736                 | DRUCKFEDER                 |                                   | COMPRESSION SPRING         | 1                 | Stk             |

### 4 \*-Positions

Positions marked with an \* are optional i.e. inclusion in the parts list is not mandatory.  
The following note is shown on the figure

je nach Stücklistenausführung  
depending on spec. number  
\*  
suivant la nomenclature  
secondo la distinta base

### 5 Parts, dotted display

Parts with dotted display on the figure are only used for orientation of other parts

# Technical Cover

Page 1 from 2

Material number: 4474.051.407



MT-L 3075 II /

| Pos. | Information                                   | Amendment number |
|------|---|------------------|
|      | CUSTOMER: JCB                                 |                  |
|      | VEHICLE DESIGNATION: 426HT                    |                  |
|      | TYRE SIZE: 20.5R25 X-MINE 2                   |                  |
|      | TYRE RADIUS DYN.: 0,734 M                     |                  |
|      | MAX. SPEED: 43,00 KM/H                        |                  |
|      | PRODUCT DESCRIPTION: ZF- MULTITRAC-AXLE       |                  |
|      | VEHICLE TYPE: WHEEL LOADER                    |                  |
|      | AXLE TYPE: MT-L 3075 II                       |                  |
|      | VERSION: RIGID                                |                  |
|      | PRODUCTION LOCATION: PASSAU                   |                  |
|      | AXLE ARRANGEMENT: FRONT AXLE                  |                  |
|      | DIRECTION OF ROTATION: CW                     |                  |
|      | CROWN WHEEL POSITION: LEFT                    |                  |
|      | SPIRAL DIRECTION: RIGHT                       |                  |
|      | INPUT FLANGE: DS 1550 4X3/8-24 UNF            |                  |
|      | FLANGE TO FLANGE DIM.: 1.984 MM               |                  |
|      | AXLE INSTALLATION: SPRING PAD                 |                  |
|      | MOUNTING DIMENSIONS: 870X1000X1130 12XD=27    |                  |
|      | BRAKE TUBE: EXTERNAL                          |                  |
|      | MAIN DIFFERENTIAL: LIMITED-SLIP DIFFERENTIAL  |                  |
|      | DIFFERENTIAL TYPE/SIZE: DZ 1200               |                  |
|      | LOCKING RATIO: 30%                            |                  |
|      | AXLE RATIO: 21,530                            |                  |
|      | PLANETARY DRIVE: P4, I=6,4                    |                  |
|      | HUB SEAL: SHAFT SEAL                          |                  |
|      | BRAKE : SERVICE BRAKE                         |                  |
|      | SERVICE BRAKE : 2X MULTI-DISC BRAKE 345X264X5 |                  |
|      | MULTI-DISC BRAKE: SINTER-LINED CLUTCH DISC    |                  |
|      | PISTON SEAL: FKM                              |                  |
|      | BRAKE PORT SIZE: M18 X 1,5 VERTIKAL           |                  |
|      | RIM PITCH CIRCLE DIAM.: 425,00 MM             |                  |
|      | WHEEL CONNECTION: BOLT 12 X M22 X 1,5 X 75    |                  |
|      | WHEEL NUTS: WITHOUT                           |                  |

# Technical Cover

Page 2 from 2

Material number: 4474.051.407



MT-L 3075 II /

| Pos. | Information  | Amendment number |
|------|--|------------------|
|      | OIL FILLING AXLE DRIVE: WITH                         |                  |
|      | AXLE OIL COOLING: WITHOUT                            |                  |
|      | OIL - GRADE AXLE DRIVE: TE ML 05G (TITAN POWERFLUID) |                  |
|      | OIL - GRADE ALLOWED: TE ML 05                        |                  |
|      | PAINTING: FINISH                                     |                  |
|      | COLOR: GRAPHITBLACK RAL 9011                         |                  |
|      | PAINT: GREYBEIGE GROMALIT-2K                         |                  |
|      | PAINT-FREE AREA: INPUT FLANGE                        |                  |
|      | PAD MOUNTING   |                  |
|      | RIM MOUNTING   |                  |
|      | TYPE PLATE   |                  |
|      | TYPE PLATE: ZF- STANDARD                             |                  |
|      | AXLE BREATHER: SEPARATE ORDER                        |                  |
|      | TRAVERSE: REUSABLE FRAME                             |                  |
|      | OIL FILL QUANTITY CA: 23,00 L                        |                  |
|      | DOCUMENTATION: -----                                 |                  |
|      | SECTION DRAWING: 4474.050.216                        |                  |
|      | INSTALLATION DRAWING: 4474.651.227                   |                  |
|      | INSTALLATION INSTRUCTION: 4474.700.088               |                  |
|      | INSTRUCTION DIFFERENTIAL: 4481.700.010               |                  |
|      | TESTING INSTRUCTION: 4474_760_009                    |                  |
|      | ASSEMBLY INSTR. DIFF SET RIGHT 4474.700.084          |                  |

# Assembly group overview

Page 1 from 1

Material number: 4474.051.407



MT-L 3075 II /

| Picture      | Pos. | Material number | Name               | Quantity | Amend. no. | Techn. Info. |
|--------------|------|-----------------|--------------------|----------|------------|--------------|
| 447415302700 | 60   | 4474.153.027    | AXLE DRIVE HOUSING | 1        |            |              |
| 447415400300 | 10   | 4474.154.003    | INPUT              | 1        |            |              |
| 446016564300 | 20   | 4460.165.643    | INPUT FLANGE       | 1        |            |              |
| 448206100850 | 30   | 4482.061.008    | DIFFERENTIAL 1200  | 1        |            |              |
| 447415506000 | 70   | 4474.155.060    | AXLE CASING        | 1        |            |              |
| 447415608100 | 130  | 4474.156.081    | OUTPUT             | 1        |            |              |
| 447415703300 | 40   | 4474.157.033    | BRAKE              | 1        |            |              |
| 447415506000 | 80   | 4474.155.060    | AXLE CASING        | 1        |            |              |
| 447415608100 | 140  | 4474.156.081    | OUTPUT             | 1        |            |              |
| 447415703300 | 50   | 4474.157.033    | BRAKE              | 1        |            |              |
| 447415806100 | 160  | 4474.158.061    | AXLE PARTS         | 1        |            |              |
| 414313900100 | 900  | 4143.139.001    | TYPE PLATE         | 1        |            |              |
| 447429834400 | KIT  | 4474.298.344    | REPAIR KIT         | 1        |            |              |

# Picture

Page 1 from 1

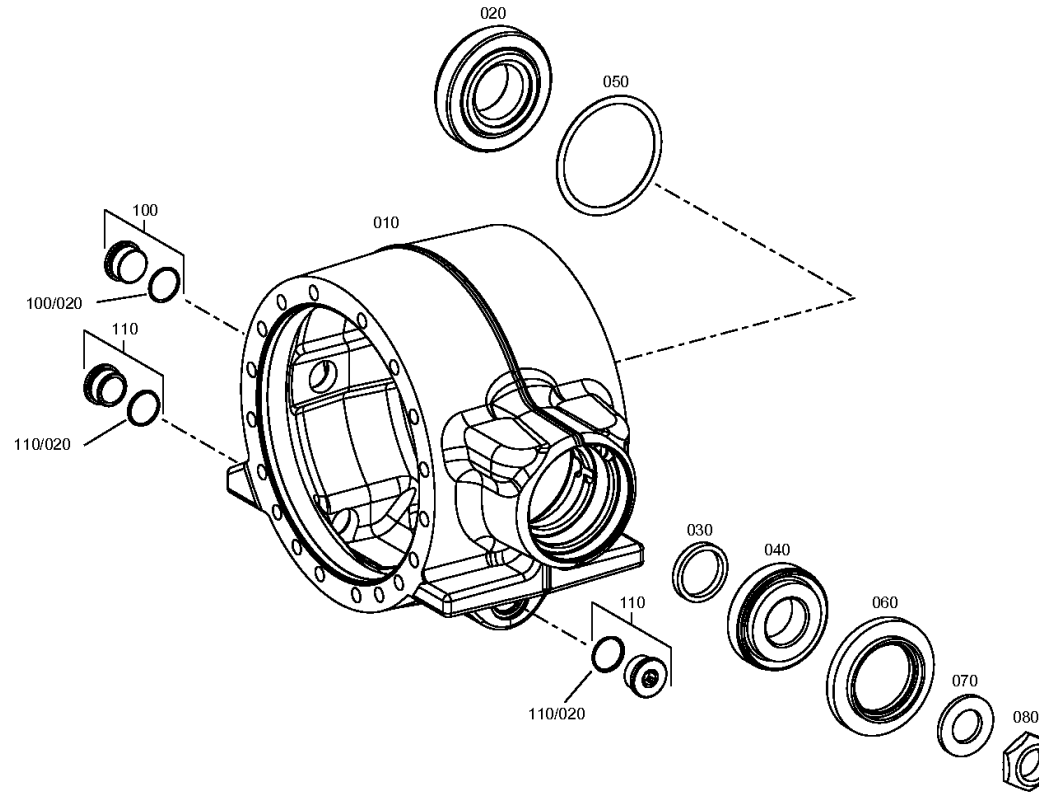
Material number: 4474.051.407

Picture: 447415302700

Material-assembly-group-no: 4474.153.027



MT-L 3075 II /  
AXLE DRIVE HOUSING



# Picture

Page 1 from 1

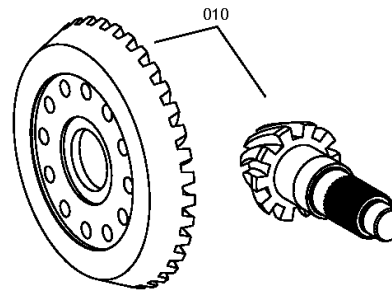
Material number: 4474.051.407

Picture: 447415400300

Material-assembly-group-no: 4474.154.003



MT-L 3075 II /  
INPUT



# Picture

Page 1 from 1

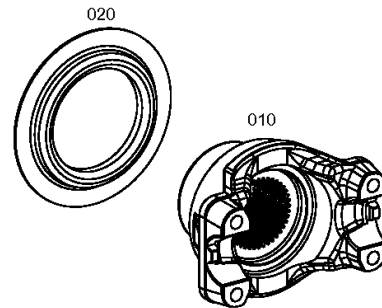
Material number: 4474.051.407

Picture: 446016564300

Material-assembly-group-no: 4460.165.643



MT-L 3075 II /  
INPUT FLANGE





# Picture

Page 1 from 1

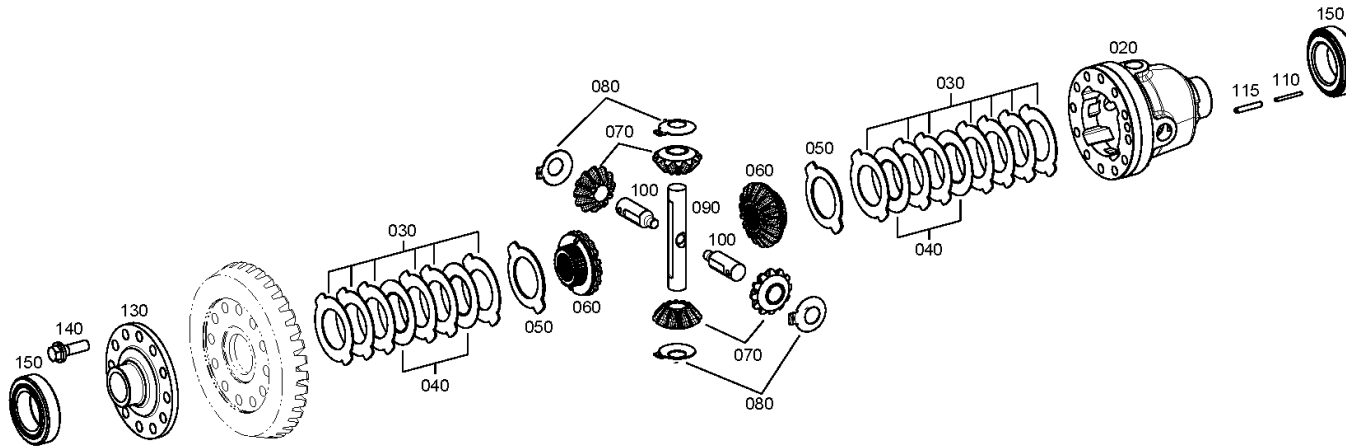
Material number: 4474.051.407

Picture: 448206100850

Material-assembly-group-no: 4482.061.008



MT-L 3075 II /  
DIFFERENTIAL 1200



# Picture

Page 1 from 1

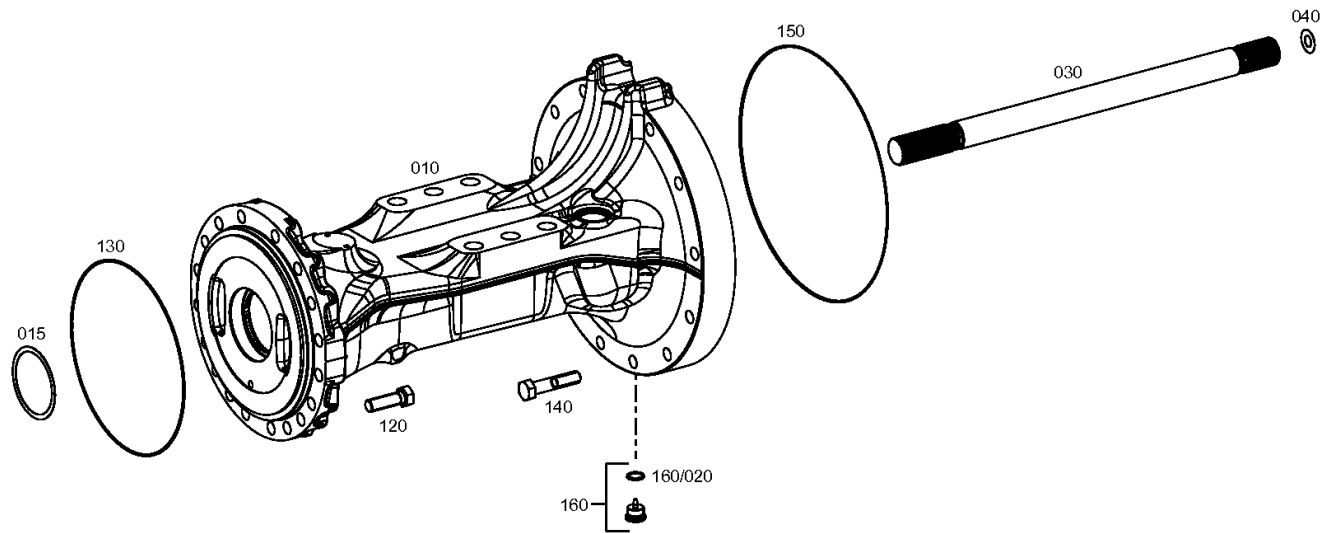
Material number: 4474.051.407

Picture: 447415506000

Material-assembly-group-no: 4474.155.060



MT-L 3075 II /  
AXLE CASING



# Picture

Page 1 from 1

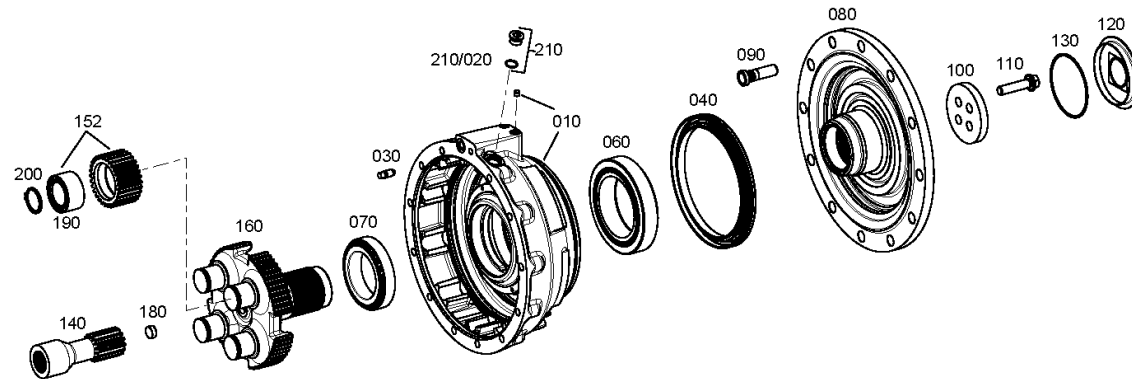
Material number: 4474.051.407

Picture: 447415608100

Material-assembly-group-no: 4474.156.081



MT-L 3075 II /  
OUTPUT



# Picture

Page 1 from 1

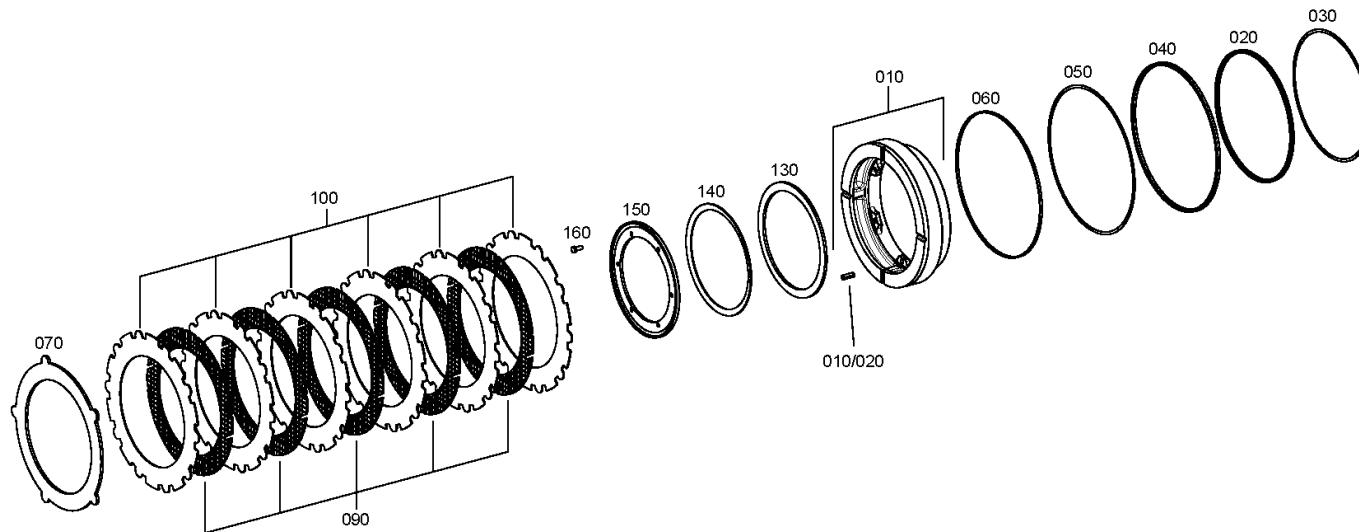
Material number: 4474.051.407

Picture: 447415703300

Material-assembly-group-no: 4474.157.033



MT-L 3075 II /  
BRAKE



rechts/links  
right/left  
destra/sinistra  
droite/gauche  
derecho/izquierdo

# Picture

Page 1 from 1

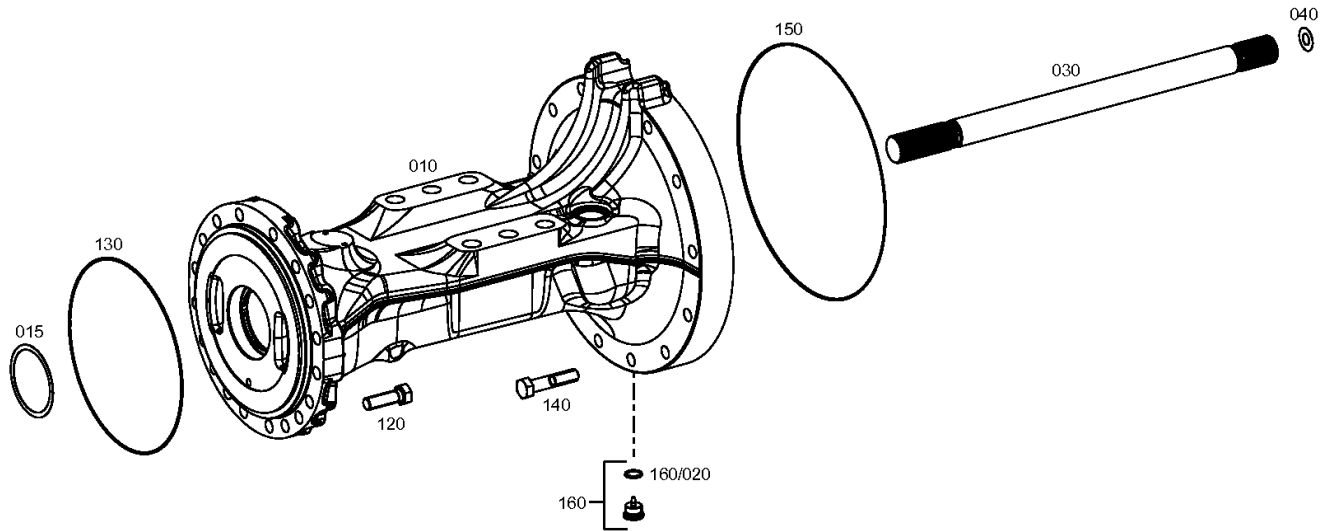
Material number: 4474.051.407

Picture: 447415506000

Material-assembly-group-no: 4474.155.060



MT-L 3075 II /  
AXLE CASING



# Picture

Page 1 from 1

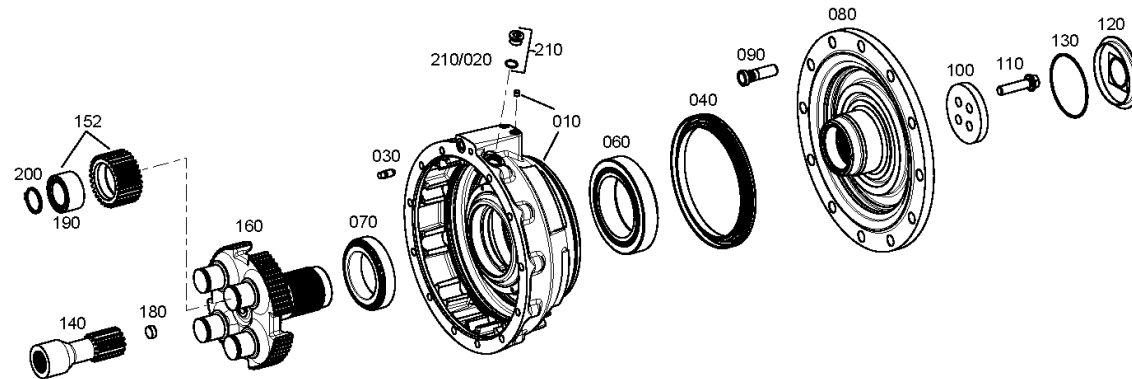
Material number: 4474.051.407

Picture: 447415608100

Material-assembly-group-no: 4474.156.081



MT-L 3075 II /  
OUTPUT



# Picture

Page 1 from 1

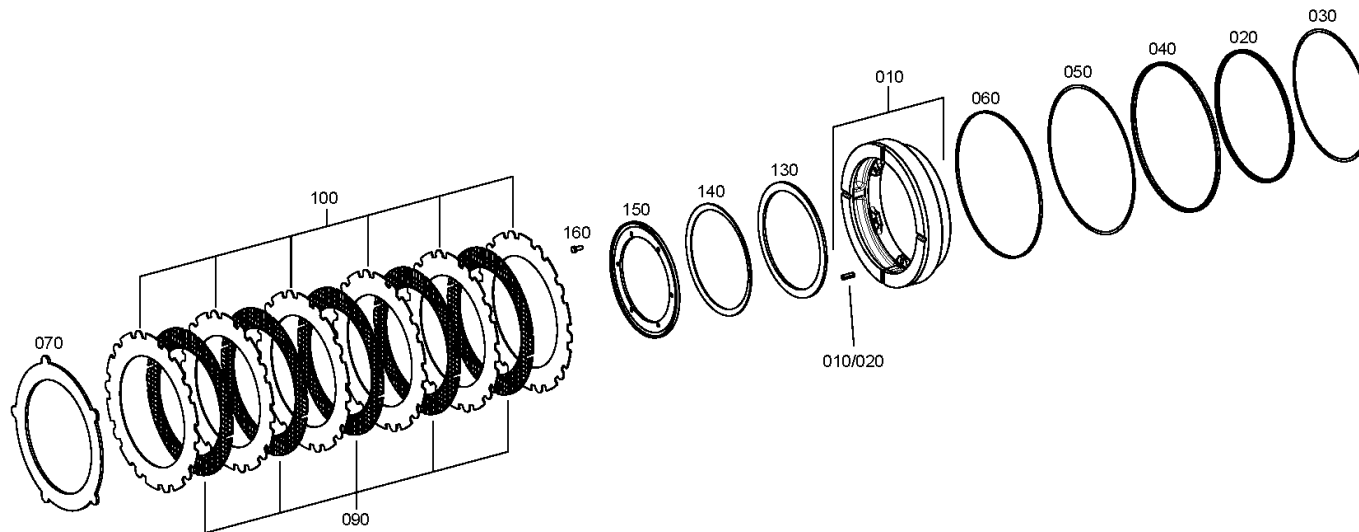
Material number: 4474.051.407

Picture: 447415703300

Material-assembly-group-no: 4474.157.033



MT-L 3075 II /  
BRAKE



rechts/links  
right/left  
destra/sinistra  
droite/gauche  
derecho/izquierdo

# Picture

Page 1 from 1

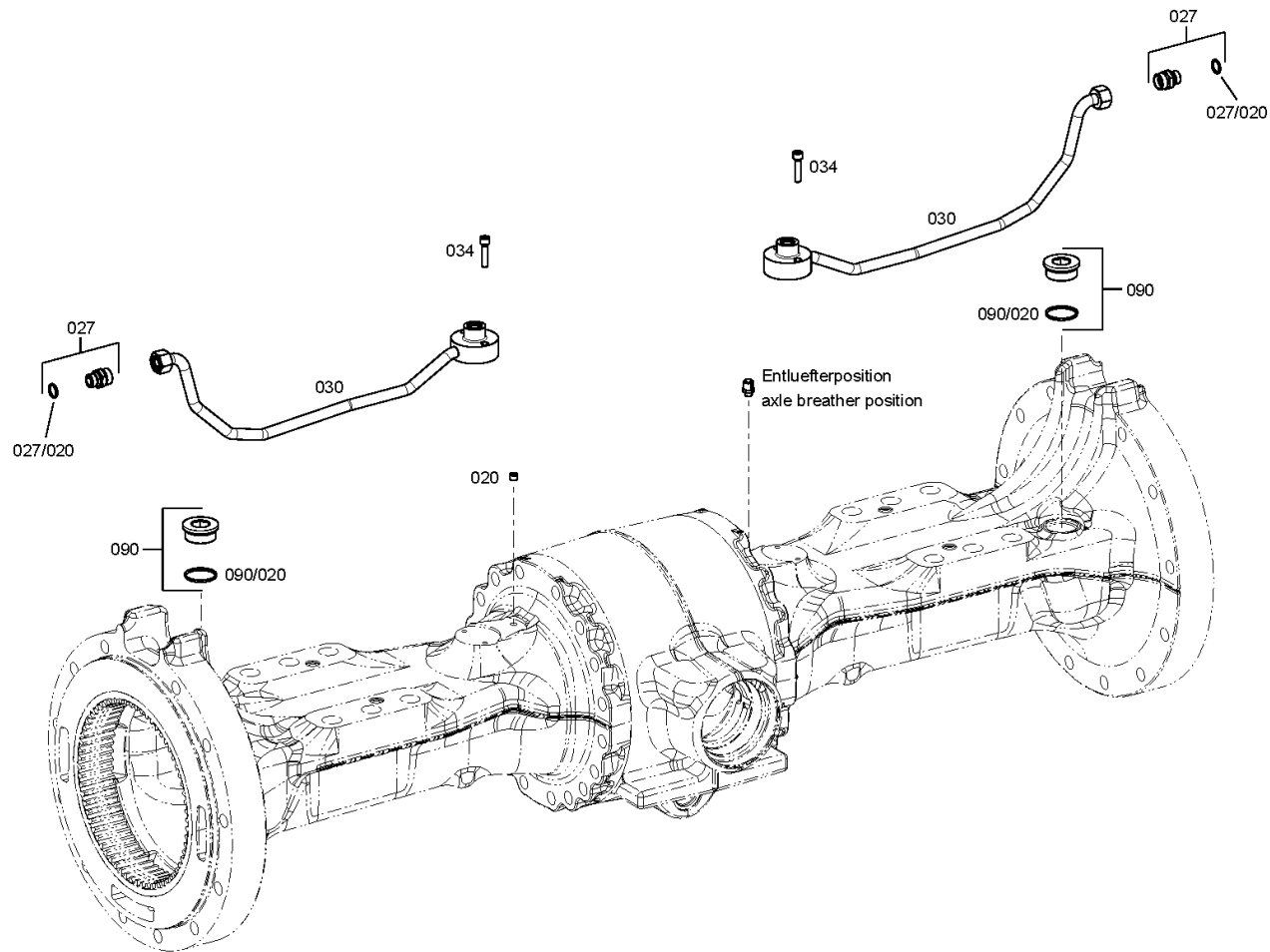
Material number: 4474.051.407

Picture: 447415806100

Material-assembly-group-no: 4474.158.061



MT-L 3075 II /  
AXLE PARTS





# Picture

Page 1 from 1

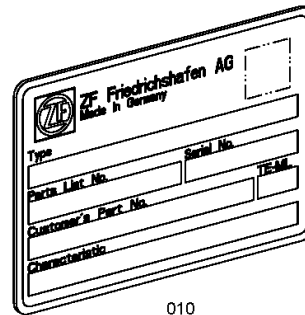
Material number: 4474.051.407

Picture: 414313900100

Material-assembly-group-no: 4143.139.001



MT-L 3075 II /  
TYPE PLATE



010

# Picture

Page 1 from 1

Material number: 4474.051.407

Picture: 447429834400

Material-assembly-group-no: 4474.298.344



MT-L 3075 II /  
REPAIR KIT

