



Spare Parts Catalog

MT-L 3085 II

Material number: 4474.052.224

Current date: 19.11.2019

ZF Friedrichshafen AG
Hauptverwaltung
80038 Friedrichshafen
Deutschland

Telefon: +49 7541 77-0

Telefax: +49 7541 77-908000

www.zf.com

zuständiges Werk:
Passau

Notes relating to the spare parts catalog

Setup of the spare parts catalog

- Cover sheet
- Technical Cover (only in SDM print)
- Overview of figures
- Figure
- Associated parts list
- Next figure
- Associated parts list
- ...

Figure and parts list



Overview of figures

Bildtafel Figure	Sachnummer Product number	Benennung (Description)	Technische Info Technical info	Description (Benennung)	Menge Quantity	Einheit Unit
068.08.17	1316.170.001	AUSLEGER	WL	SHIFT TURRET	1	Stk
068.08.06	1316.170.031	DECKEL	WL*H-H *VM	COVER	1	Stk
068.08.14	1316.170.808	DECKEL	WL*AUSL+GEH*H-H*HF160N	COVER	1	Stk
08	1316.170.441	ANSCHLUSSTEILE	WL*NG-VORB*RG-SCHL*168N *BAJONETT	CONNECTING PARTS	1	Stk

The "gap" indicates that there is no separate graphics panel (poster) for this assembly
The parts of this assembly are shown with the same mid-section number on the figure

1 Positions and subpositions

Pos.	Sachnummer Product number	Benennung (Description)	Technische Info Technical info	Description (Benennung)	Menge Quantity	Einheit Unit
0370	1315.201.054	RUECKLAUFBOLZEN	KPL.16S151*SG*L= 79	REV.IDLER SHAFT	1	Stk
/0120	0631.329.293	SPANNSTIFT		SLOT. PIN	1	Stk

Positions marked with "/" are the individual items of a completion
For example: Position 0370 contains a centering pin with the position /0120

2 Combinations with standardized parts

Pos.	Sachnummer Product number	Benennung (Description)	Technische Info Technical info	Description (Benennung)	Menge Quantity	Einheit Unit
0630		VERSCHL.SCHR.		SCREW PLUG	1	Stk
	0636.302.067	VERSCHL.SCHR.		SCREW PLUG	1	Stk
	0634.801.249	DICHTRING	A 26 X 31	SEALING RING	1	Stk

The parts list shows the components included in the combination of standardized parts

3 Depiction of position/item number on the figure and in the parts list

01.620 - on the figure 01 relates to the assembly in which the position is included. Due to program-related reasons, it is shown on the figure.

0620 - in the parts list

Pos.	Sachnummer Product number	Benennung (Description)	Technische Info Technical info	Description (Benennung)	Menge Quantity	Einheit Unit
0620	0732.040.736	DRUCKFEDER		COMPRESSION SPRING	1	Stk

4 *-Positions

Positions marked with an * are optional i.e. inclusion in the parts list is not mandatory.
The following note is shown on the figure

je nach Stücklistenausführung
depending on spec. number
*
suivant la nomenclature
secondo la distinta base

5 Parts, dotted display

Parts with dotted display on the figure are only used for orientation of other parts

Assembly group overview

Page 1 from 1

Material number: 4474.052.224



MT-L 3085 II /

Graphics	Pos.	Material number	Name	Quantity	Amend. no.	Techn. Info.
447415304500	60	4474.153.045	AXLE DRIVE HOUSING	1		
447415402351	10	4474.154.023	INPUT	1		
446012506050	20	4460.125.060	INPUT FLANGE	1		
448117105300	30	4481.171.053	LIMIT.SLIP DIFF	1		
447415502600	70	4474.155.026	AXLE CASING	1		
447415502600	80	4474.155.026	AXLE CASING	1		
447415607200	130	4474.156.072	OUTPUT	1		
447415607200	140	4474.156.072	OUTPUT	1		
447415702500	40	4474.157.025	BRAKE	1		
447415702500	50	4474.157.025	BRAKE	1		
447415801450	160	4474.158.014	AXLE PARTS	1		
414313900300	900	4143.139.003	TYPE PLATE	1		
447429828200	KIT	4474.298.282	OUTPUT	1		

Plant

Page 1 from 1

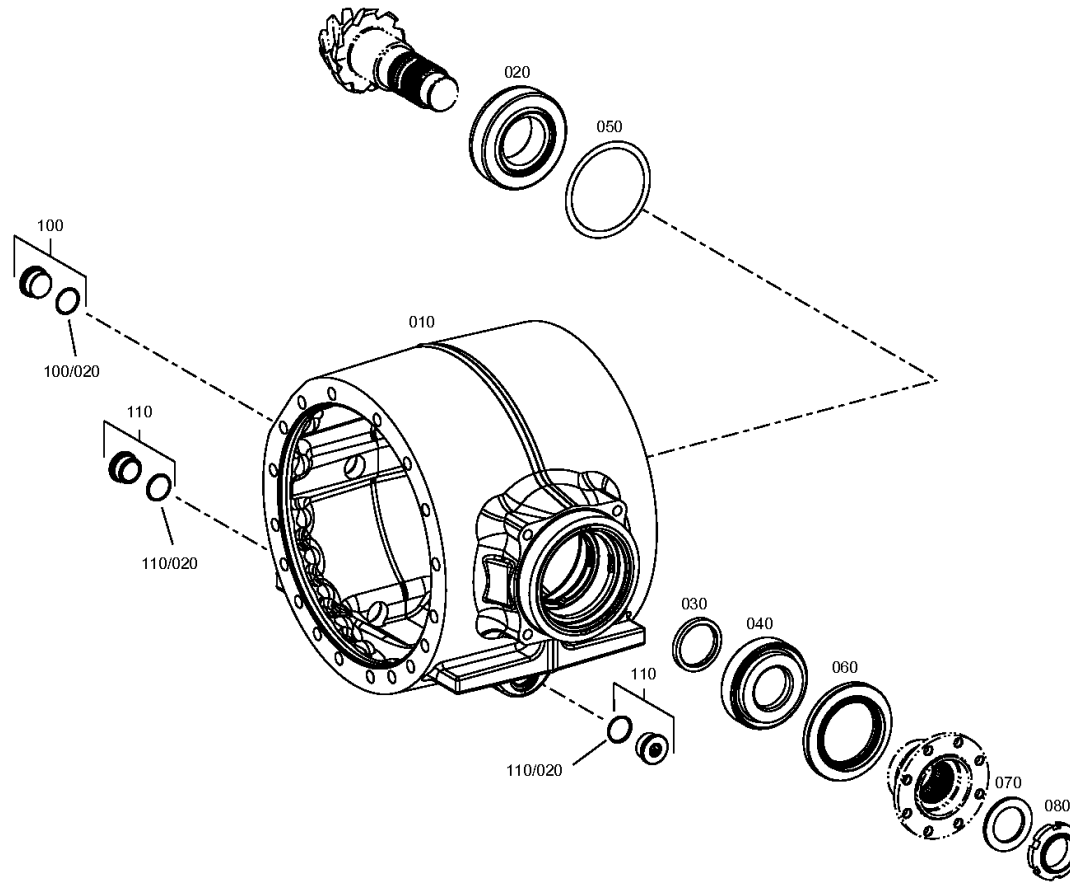
Material number: 4474.052.224

Plant: 447415304500

Material-assembly-group-no: 4474.153.045



MT-L 3085 II /
AXLE DRIVE HOUSING



Plant

Page 1 from 1

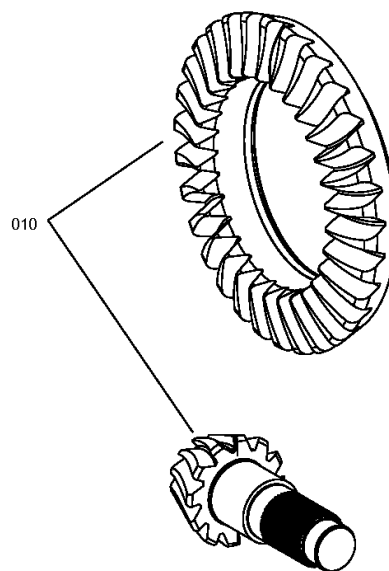
Material number: 4474.052.224

Plant: 447415402351

Material-assembly-group-no: 4474.154.023



MT-L 3085 II /
INPUT



Plant

Page 1 from 1

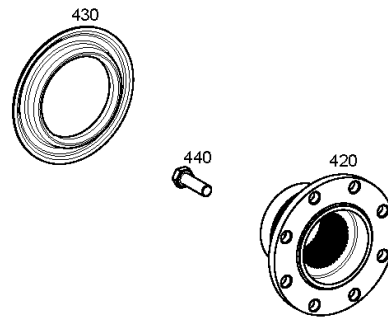
Material number: 4474.052.224

Plant: 446012506050

Material-assembly-group-no: 4460.125.060



MT-L 3085 II /
INPUT FLANGE



Plant

Page 1 from 1

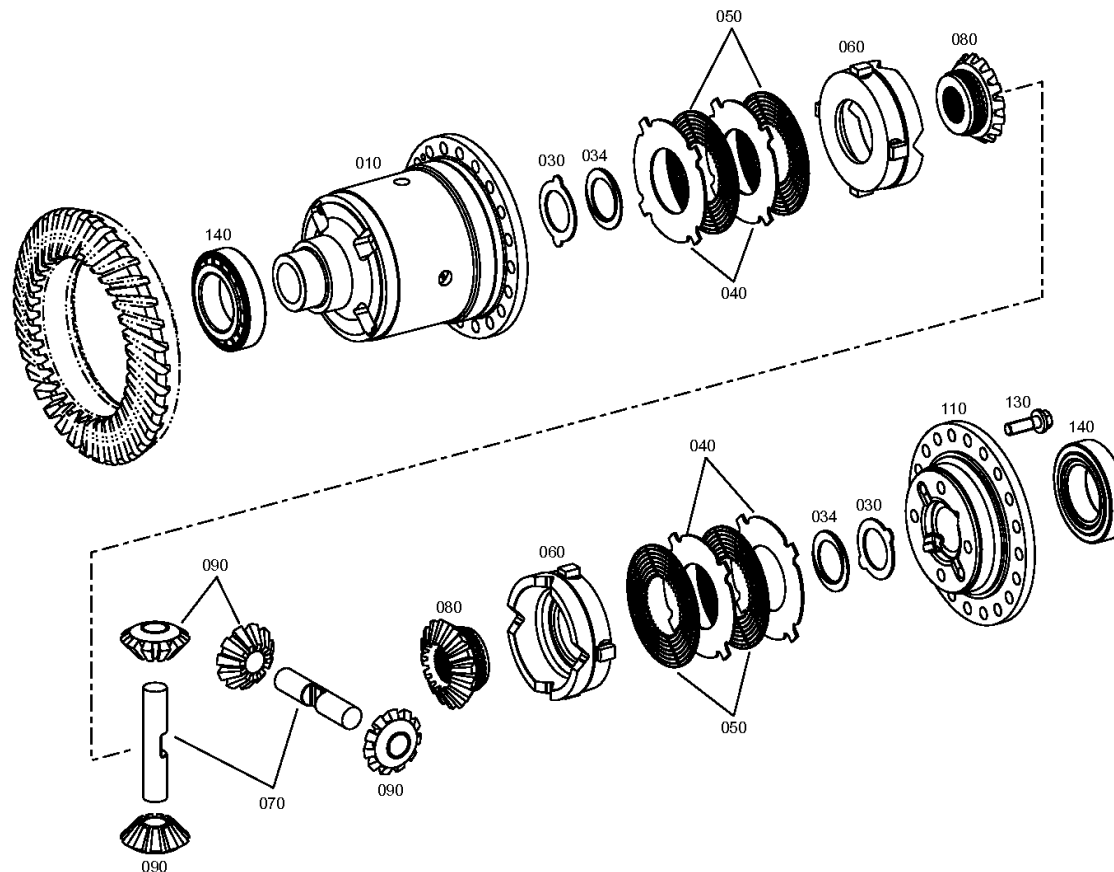
Material number: 4474.052.224

Plant: 448117105300

Material-assembly-group-no: 4481.171.053



MT-L 3085 II /
LIMIT.SLIP DIFF



Plant

Page 1 from 2

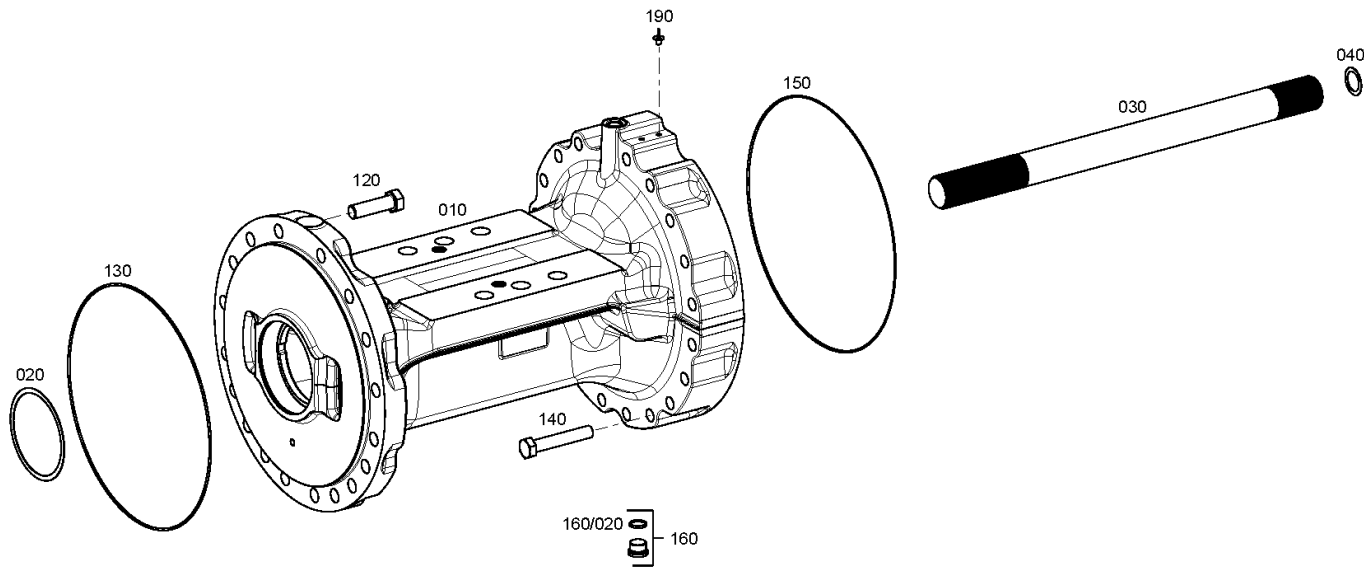
Material number: 4474.052.224

Plant: 447415502600

Material-assembly-group-no: 4474.155.026



MT-L 3085 II /
AXLE CASING



Plant

Page 2 from 2

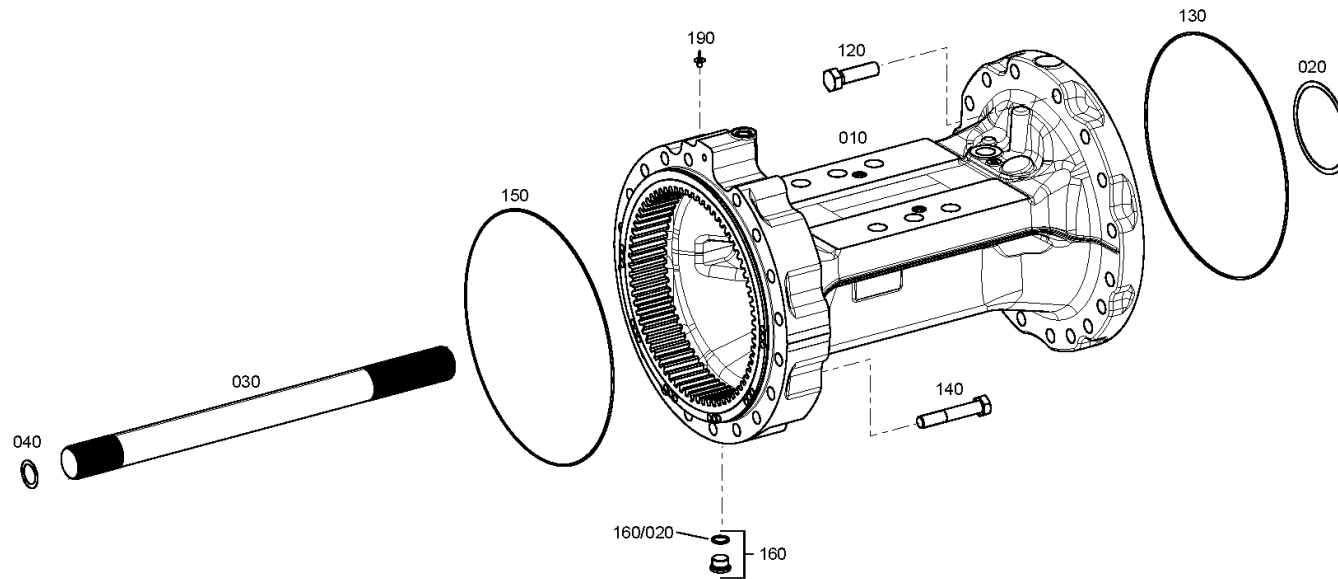
Material number: 4474.052.224

Plant: 447415502650

Material-assembly-group-no: 4474.155.026



MT-L 3085 II /
AXLE CASING



Plant

Page 1 from 2

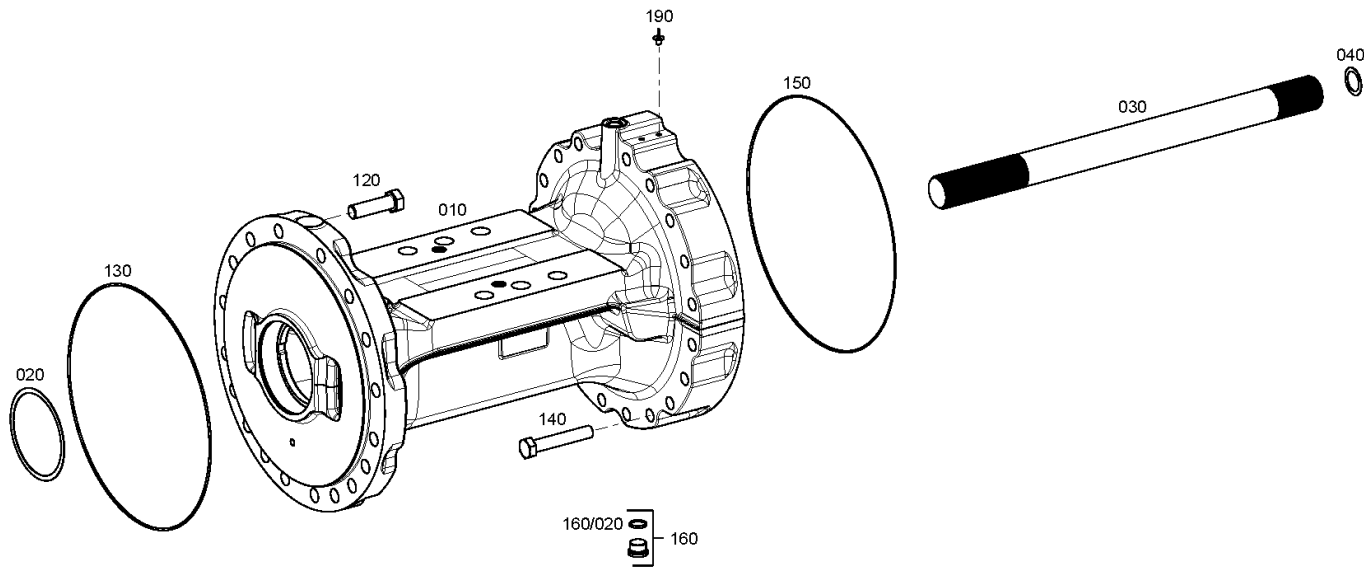
Material number: 4474.052.224

Plant: 447415502600

Material-assembly-group-no: 4474.155.026



MT-L 3085 II /
AXLE CASING



Plant

Page 2 from 2

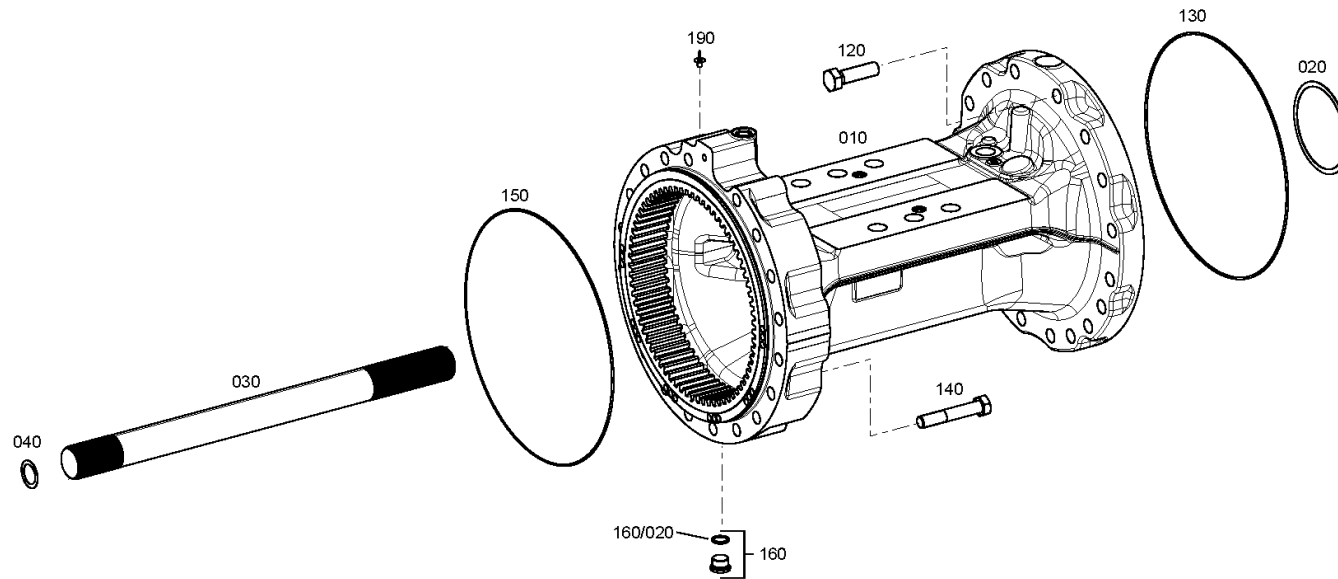
Material number: 4474.052.224

Plant: 447415502650

Material-assembly-group-no: 4474.155.026



MT-L 3085 II /
AXLE CASING



Plant

Page 1 from 1

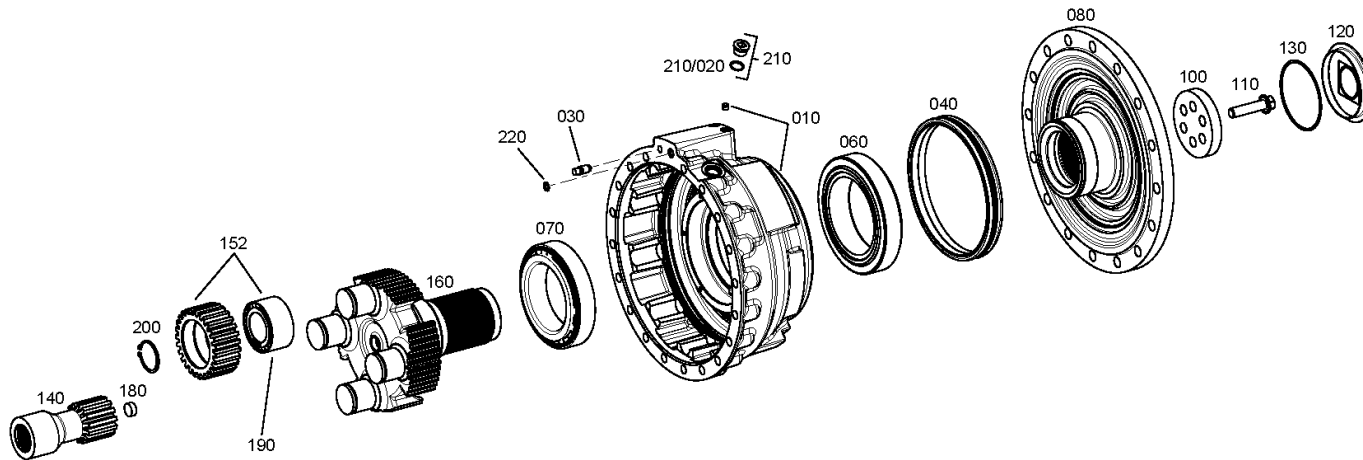
Material number: 4474.052.224

Plant: 447415607200

Material-assembly-group-no: 4474.156.072



MT-L 3085 II /
OUTPUT



rechts/links
right/left
destra/sinistra
droite/gauche
derecho/izquierdo

Plant

Page 1 from 1

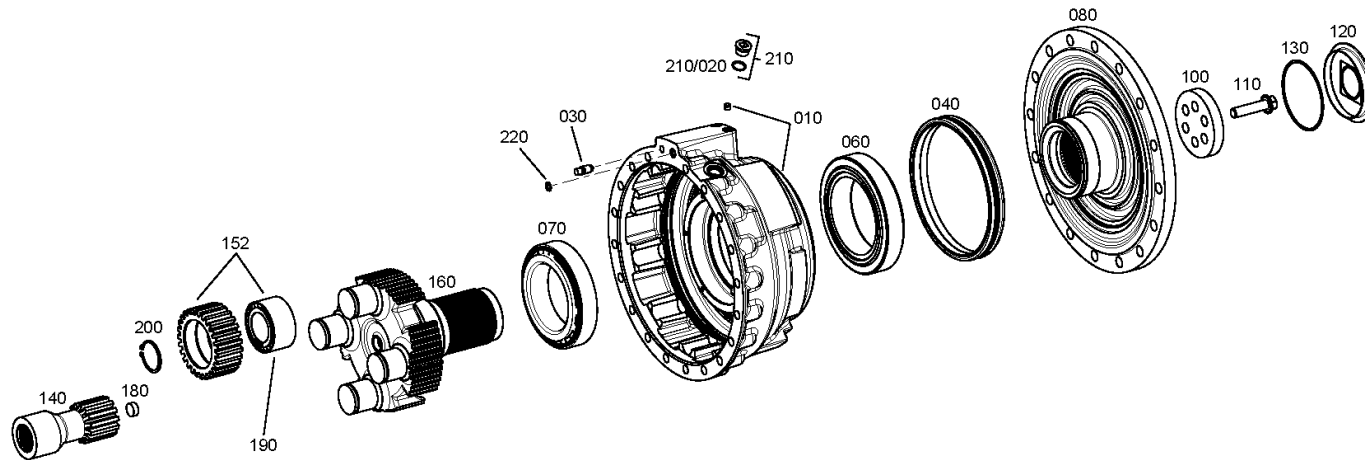
Material number: 4474.052.224

Plant: 447415607200

Material-assembly-group-no: 4474.156.072



MT-L 3085 II /
OUTPUT



rechts/links
right/left
destra/sinistra
droite/gauche
derecho/izquierdo

Plant

Page 1 from 1

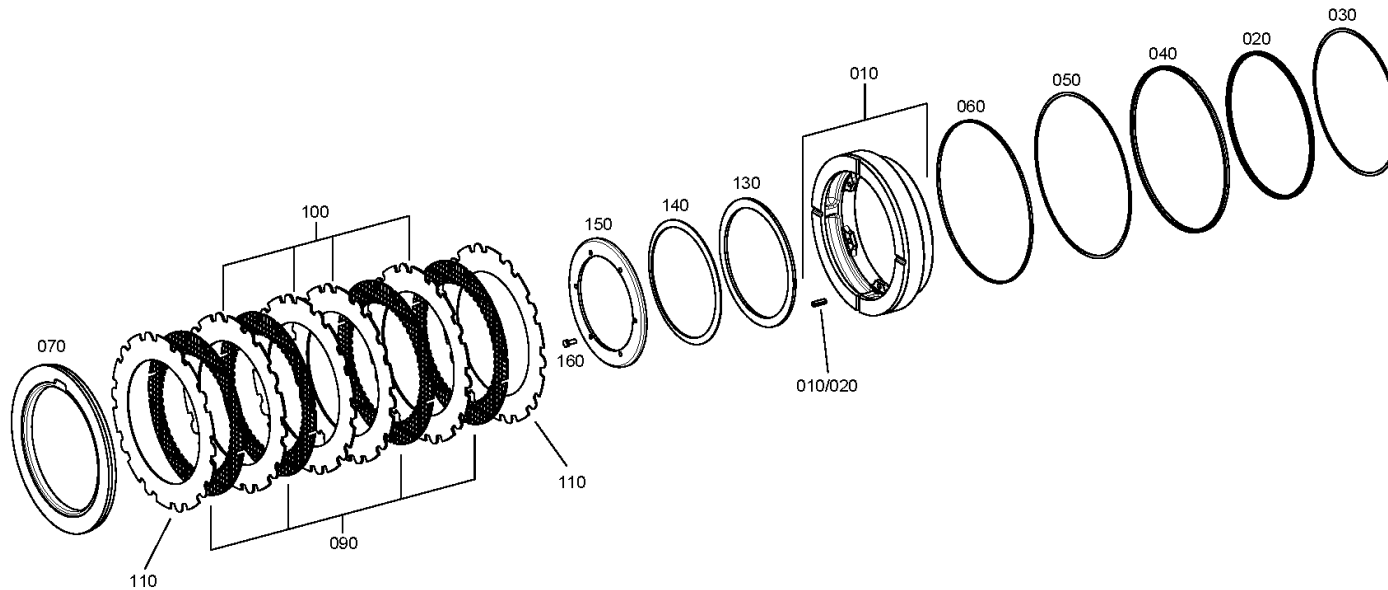
Material number: 4474.052.224

Plant: 447415702500

Material-assembly-group-no: 4474.157.025



MT-L 3085 II /
BRAKE



Plant

Page 1 from 1

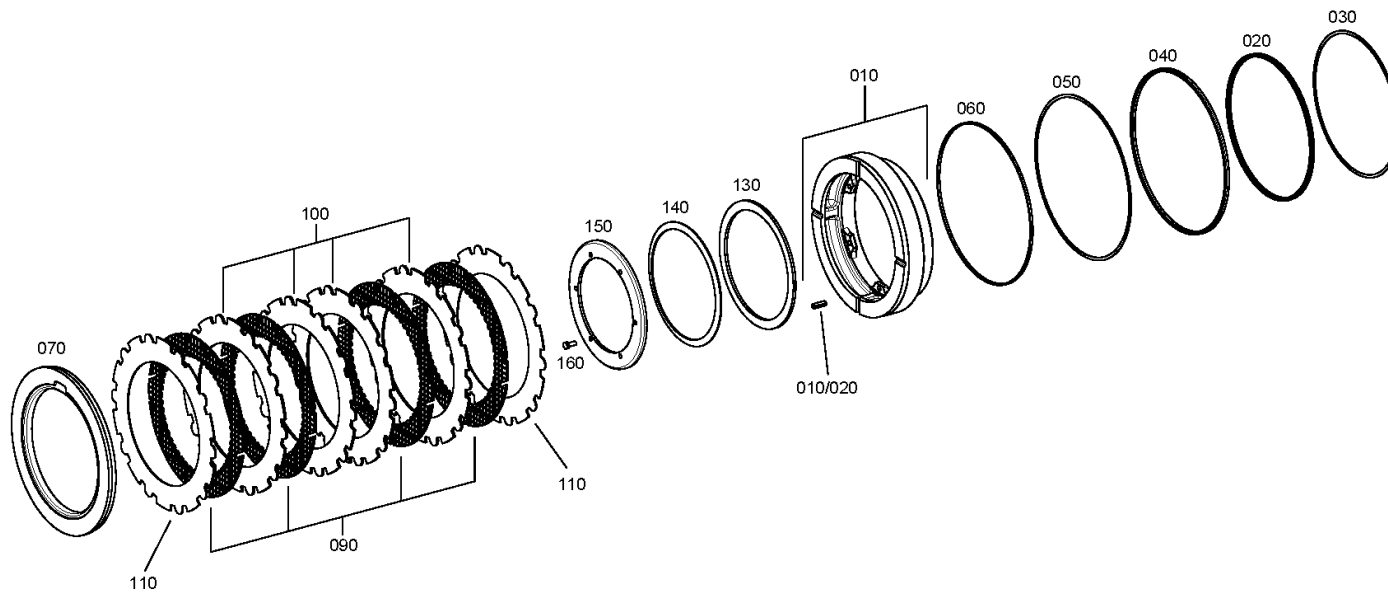
Material number: 4474.052.224

Plant: 447415702500

Material-assembly-group-no: 4474.157.025



MT-L 3085 II /
BRAKE



Plant

Page 1 from 1

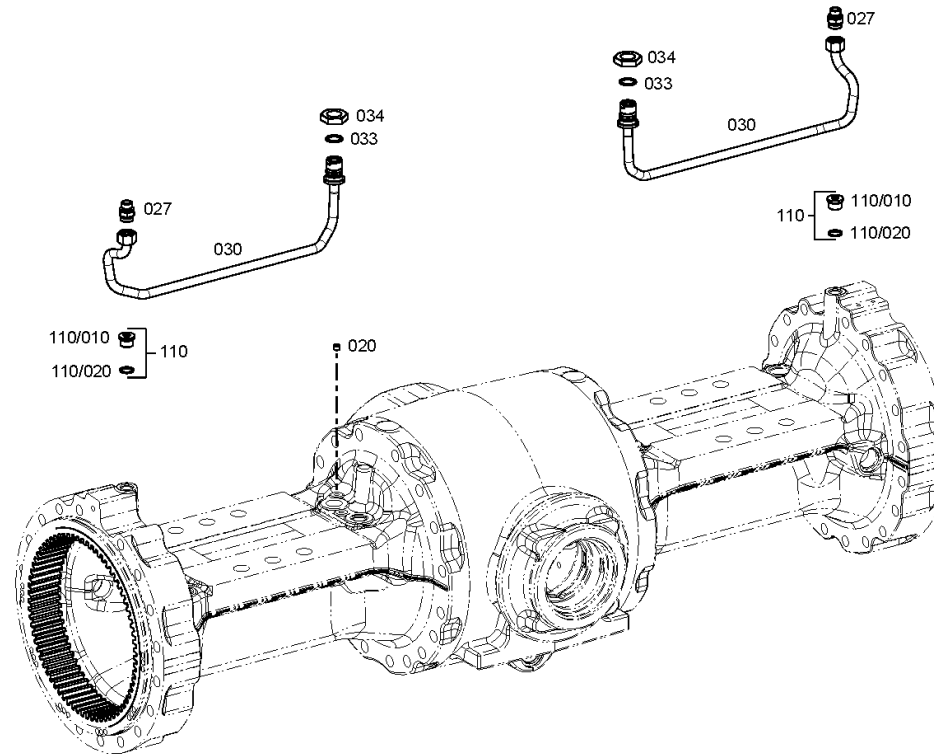
Material number: 4474.052.224

Plant: 447415801450

Material-assembly-group-no: 4474.158.014



MT-L 3085 II /
AXLE PARTS



Plant

Page 1 from 1

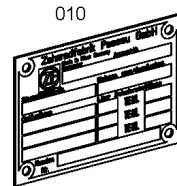
Material number: 4474.052.224

Plant: 414313900300

Material-assembly-group-no: 4143.139.003



MT-L 3085 II /
TYPE PLATE



Plant

Page 1 from 1

Material number: 4474.052.224

Plant: 447429828200

Material-assembly-group-no: 4474.298.282



MT-L 3085 II /
OUTPUT

Kit
4474 298 282

