



Spare Parts Catalog

STARRACHSE

Material number: 4474.053.019

Current date: 11.08.2021

ZF Friedrichshafen AG
Hauptverwaltung
80038 Friedrichshafen
Deutschland

Telefon: +49 7541 77-0

Telefax: +49 7541 77-908000

www.zf.com

zuständiges Werk:
Passau

Notes relating to the spare parts catalog

Setup of the spare parts catalog

- Cover sheet
- Technical Cover (only in SDM print)
- Overview of figures
- Figure
- Associated parts list
- Next figure
- Associated parts list
- ...

Figure and parts list



Overview of figures

Bildtafel Figure	Sachnummer Product number	Benennung (Description)	Technische Info Technical info	Description (Benennung)	Menge Quantity	Einheit Unit
068.08.17	1316.170.001	AUSLEGER	WL	SHIFT TURRET	1	Stk
068.08.06	1316.170.031	DECKEL	WL*H-H *VM	COVER	1	Stk
068.08.14	1316.170.808	DECKEL	WL*AUSL+GEH*H-H*HF160N	COVER	1	Stk
08	1316.170.441	ANSCHLUSSTEILE	WL*NG-VORB*RG-SCHL*168N *BAJONETT	CONNECTING PARTS	1	Stk

The "gap" indicates that there is no separate graphics panel (poster) for this assembly
The parts of this assembly are shown with the same mid-section number on the figure

1 Positions and subpositions

Pos.	Sachnummer Product number	Benennung (Description)	Technische Info Technical info	Description (Benennung)	Menge Quantity	Einheit Unit
0370	1315.201.054	RUECKLAUFBOLZEN	KPL.16S151*SG*L= 79	REV.IDLER SHAFT	1	Stk
/0120	0631.329.293	SPANNSTIFT		SLOT. PIN	1	Stk

Positions marked with "/" are the individual items of a completion
For example: Position 0370 contains a centering pin with the position /0120

2 Combinations with standardized parts

Pos.	Sachnummer Product number	Benennung (Description)	Technische Info Technical info	Description (Benennung)	Menge Quantity	Einheit Unit
0630		VERSCHL.SCHR.		SCREW PLUG	1	Stk
	0636.302.067	VERSCHL.SCHR.		SCREW PLUG	1	Stk
	0634.801.249	DICHTRING	A 26 X 31	SEALING RING	1	Stk

The parts list shows the components included in the combination of standardized parts

3 Depiction of position/item number on the figure and in the parts list

01.620 - on the figure 01 relates to the assembly in which the position is included. Due to program-related reasons, it is shown on the figure.

0620 - in the parts list

Pos.	Sachnummer Product number	Benennung (Description)	Technische Info Technical info	Description (Benennung)	Menge Quantity	Einheit Unit
0620	0732.040.736	DRUCKFEDER		COMPRESSION SPRING	1	Stk

4 *-Positions

Positions marked with an * are optional i.e. inclusion in the parts list is not mandatory.
The following note is shown on the figure

je nach Stücklistenausführung
depending on spec. number
*
suivant la nomenclature
secondo la distinta base

5 Parts, dotted display

Parts with dotted display on the figure are only used for orientation of other parts

Technical Cover

Page 1 from 2

Material number: 4474.053.019



STARRACHSE /

Pos.	Information	Amendment number
	CUSTOMER:HITACHI FURUKAWA LOADERS	
	IDENT-NO.:396 331	
	APPROVAL:	
	QUESTIONNAIRE:	
	PROJEKT-NR.:35313	
	VEHICLE DATA:	
	WHEEL LOADER LX 290 E	
	ENGINE: ISUZU	
	ENGINE POWER: P=141 KW IN N=2200 UPM	
	INPUT TORQUE: T= 809 NM IN N=1600 RPM	
	TRANSMISSION: 4WG-210	
	TYRES: SINGLE	
	TIRES:	
	TYRES: 23.5-25	
	RIM PITCH CIRCLE DIA: 500 MM	
	MAX.SPEED: 33,0 KM/H	
	PRODUCT DESCRIPTION:	
	AXLE ARRANGEMENT: REAR AXLE	
	RATIO TOTAL: I= 26,66	
	PLANETARY DRIVE: I=6,00 P4-360-50	
	BEVELGEAR SET: I= 4,44 T=40/9	
	MOUNTING: CENTRAL HUNTING	
	FLANGE DISTANCE: L=2314	
	WHEEL TRACK:	
	BRAKE:	
	MULTI-DISC BRAKE:HYDRAULIC 345X264	
	LINING DISC: 5	
	BRAKE CALCULATION: 4474 716 111	
	DIFF.CARRIER:	
	TYPE: HK	
	SENS OF ROTATION:COUNTER CLOCKWISE	
	RING GEAR: SPIRAL DIRECTION LEFT	
	POSITION OF RING GEAR: LEFT	

Technical Cover

Page 2 from 2

Material number: 4474.053.019



STARRACHSE /

Pos.	Information	Amendment number
	FLANGE POS.BEVEL DRIVE: MIDDLE	
	FLANGE CONN: MECH.8,5C	
	LIMITED-SLIP DIFFERENTIAL	
	TYPE: DL 2400	
	BEVEL SIDE GEAR SPLINE: N 50X1,25	
	DRAWINGS:	
	SECT.DRAWING:4474 053 003(0)	
	INST.DRAWING:4474 653 003(0)	
	TEST INSTRUCT.: 4474 760 004 (3)	
	TEST SPECIFICATION: 4474 760 005(3)	
	ASSEMBLY INSTRUCTION:	
	AUTOMATIC BRAKE ADJUSTING DEVICE	
	AXIAL PLAY SUN 0,5 - 2,0 MM	
	OIL CAPACITY:	
	TOTAL: CA. 40 L	
	OIL FILLING: YES	
	OIL GRADE TE ML 05	
	BRAKE CONTROL: ATF-OIL/MOTOROIL 10 W	
	WEIGHT-TOTAL: ...KG	
	COLOR: 2 YELLOW RAL 1006	
	PACKING:	
	MISCELLANEOUS/REMARKS:	
	QUANTITY OF LINED DISCS IN TYPE PLATE PUNCH MARK	
	*	

Assembly group overview

Page 1 from 1

Material number: 4474.053.019



STARRACHSE /

Graphics	Pos.	Material number	Name	Quantity	Amend. no.	Techn. Info.
446001603101	10	4460.016.064	AXLE INSERT	1		
447414507000	20	4474.145.070	AXLE CASING	1		
447414551600	30	4474.145.516	AXLE CASING	1		
447414602900	40	4474.146.029	OUTPUT	2		
447414641600	50	4474.146.416	OUTPUT	2		
447414700900	60	4474.147.009	BRAKE	2		

Plant

Page 1 from 2

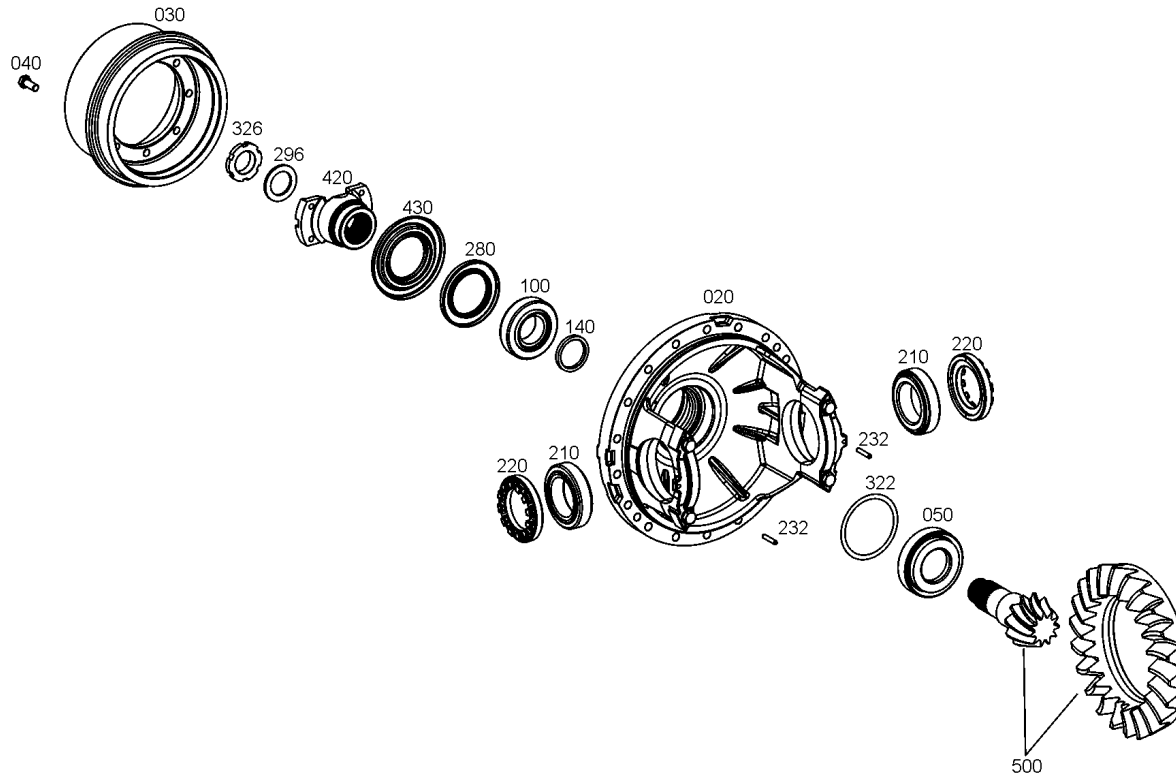
Material number: 4474.053.019

Plant: 446001603101

Material-assembly-group-no: 4460.016.064



STARRACHSE /
AXLE INSERT



Plant

Page 2 from 2

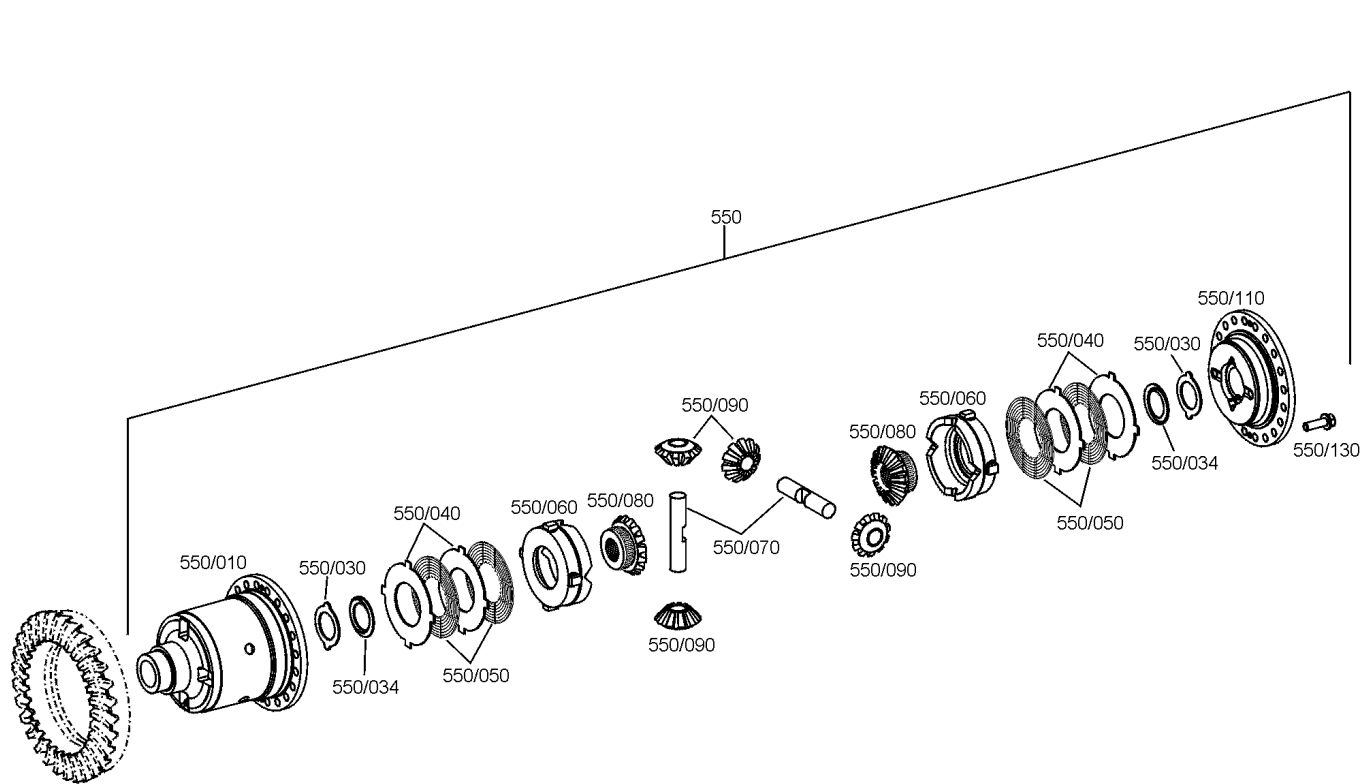
Material number: 4474.053.019

Plant: 446001603102

Material-assembly-group-no: 4460.016.064



STARRACHSE /
AXLE INSERT



Plant

Page 1 from 1

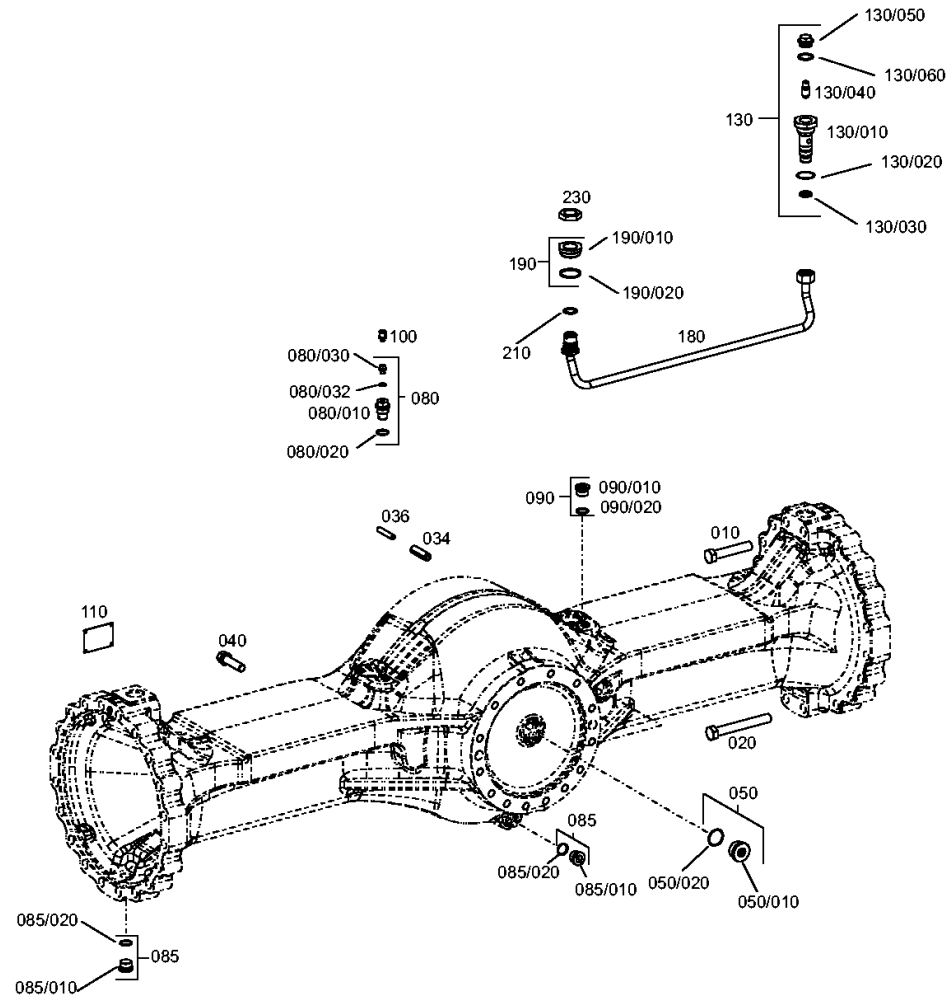
Material number: 4474.053.019

Plant: 447414507000

Material-assembly-group-no: 4474.145.070



STARRACHSE /
AXLE CASING



Plant

Page 1 from 1

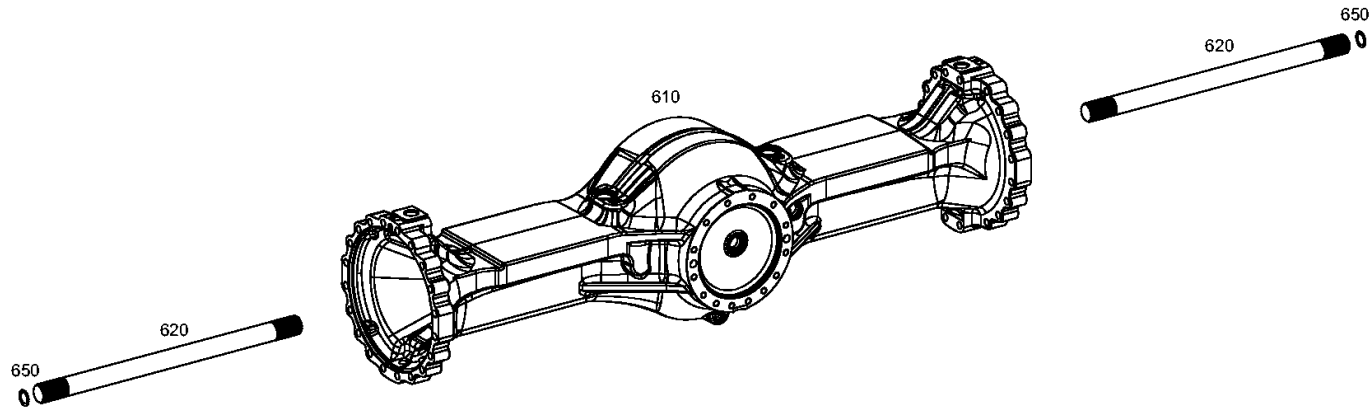
Material number: 4474.053.019

Plant: 447414551600

Material-assembly-group-no: 4474.145.516



STARRACHSE /
AXLE CASING



Plant

Page 1 from 1

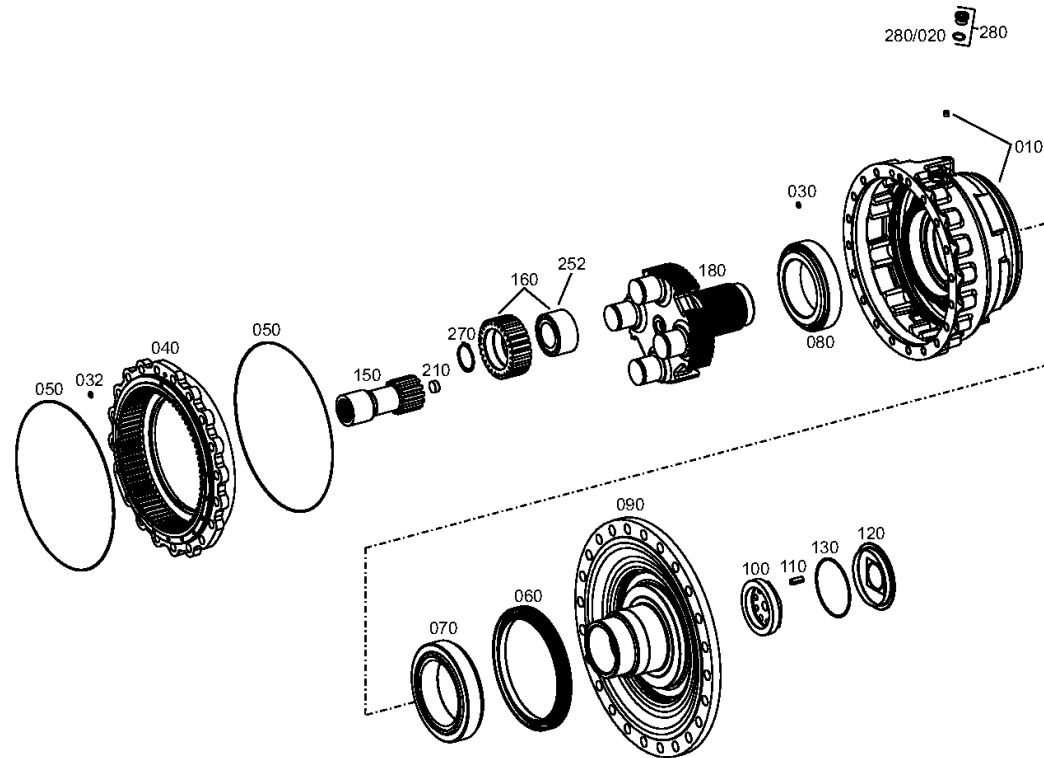
Material number: 4474.053.019

Plant: 447414602900

Material-assembly-group-no: 4474.146.029



STARRACHSE /
OUTPUT



rechts/links
right/left
destra/sinistra
droite/gauche
derecho/izquierdo

Plant

Page 1 from 1

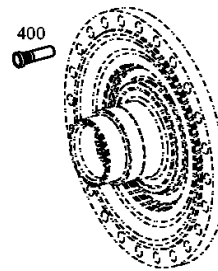
Material number: 4474.053.019

Plant: 447414641600

Material-assembly-group-no: 4474.146.416



STARRACHSE /
OUTPUT



rechts/links
right/left
destra/sinistra
droite/gauche
derecho/izquierdo

Plant

Page 1 from 1

Material number: 4474.053.019

Plant: 447414700900

Material-assembly-group-no: 4474.147.009



STARRACHSE /
BRAKE

