



# Spare Parts Catalog

MT-L 3095

Material number: 4474.053.055

Current date: 16.05.2023

ZF Friedrichshafen AG  
Hauptverwaltung  
80038 Friedrichshafen  
Deutschland

Telefon: +49 7541 77-0

Telefax: +49 7541 77-908000

[www.zf.com](http://www.zf.com)

zuständiges Werk:  
Passau

# Notes relating to the spare parts catalog

## Setup of the spare parts catalog

- Cover sheet
- Technical Cover (only in SDM print)
- Overview of figures
- Figure
- Associated parts list
- Next figure
- Associated parts list
- ...

## Figure and parts list



## Overview of figures

Bildtafel Figure	Sachnummer Product number	Benennung (Description)	Technische Info Technical info	Description (Benennung)	Menge Quantity	Einheit Unit
068.08.17	1316.170.001	AUSLEGER	WL	SHIFT TURRET	1	Stk
068.08.06	1316.170.031	DECKEL	WL*H-H *VM	COVER	1	Stk
068.08.14	1316.170.808	DECKEL	WL*AUSL+GEH*H-H*HF160N	COVER	1	Stk
08	1316.170.441	ANSCHLUSSTEILE	WL*NG-VORB*RG-SCHL*168N *BAJONETT	CONNECTING PARTS	1	Stk

The "gap" indicates that there is no separate graphics panel (poster) for this assembly  
The parts of this assembly are shown with the same mid-section number on the figure

### 1 Positions and subpositions

Pos.	Sachnummer Product number	Benennung (Description)	Technische Info Technical info	Description (Benennung)	Menge Quantity	Einheit Unit
0370	1315.201.054	RUECKLAUFBOLZEN	KPL.16S151*SG*L= 79	REV.IDLER SHAFT	1	Stk
/0120	0631.329.293	SPANNSTIFT		SLOT. PIN	1	Stk

Positions marked with "/" are the individual items of a completion  
For example: Position 0370 contains a centering pin with the position /0120

### 2 Combinations with standardized parts

Pos.	Sachnummer Product number	Benennung (Description)	Technische Info Technical info	Description (Benennung)	Menge Quantity	Einheit Unit
0630		VERSCHL.SCHR.		SCREW PLUG	1	Stk
	0636.302.067	VERSCHL.SCHR.		SCREW PLUG	1	Stk
	0634.801.249	DICHTRING	A 26 X 31	SEALING RING	1	Stk

The parts list shows the components included in the combination of standardized parts

### 3 Depiction of position/item number on the figure and in the parts list

01.620 - on the figure      01 relates to the assembly in which the position is included. Due to program-related reasons, it is shown on the figure.

0620 - in the parts list

Pos.	Sachnummer Product number	Benennung (Description)	Technische Info Technical info	Description (Benennung)	Menge Quantity	Einheit Unit
0620	0732.040.736	DRUCKFEDER		COMPRESSION SPRING	1	Stk

### 4 \*-Positions

Positions marked with an \* are optional i.e. inclusion in the parts list is not mandatory.  
The following note is shown on the figure

je nach Stücklistenausführung  
depending on spec. number  
\*  
suivant la nomenclature  
secondo la distinta base

### 5 Parts, dotted display

Parts with dotted display on the figure are only used for orientation of other parts

# Technical Cover

Page 1 from 2

Material number: 4474.053.055



MT-L 3095 /

Pos.	Information	Amendment number
	KUNDE:DOOSAN	
	IDENT-NO.: WITHOUT	
	QUESTIONNAIRE:	
	SAP WORK FLOW: 02 0000 201	
	PROJECT-NO.:	
	VEHICLE DATA:	
	VEHICLE TYPE: WHEEL LOADER MEGA 300	
	ENGINE: DAEWOO DE 08TIS	
	ENGINE POWER: P=154 KW TO N=2100 UPM	
	INPUT TORQUE: T =883 NM TO N=1300 UPM	
	TRANSMISSION: 4WG-210	
	TRANSFER CASE:	
	HYDRAULIC PUMP: CONVERTER SIDE/REAR SIDE	
	TYRES: SINGLE	
	TIRES: 23.5-R25	
	RIM PITCH CIRCLE DIA: 425 MM	
	MAX.SPEED: 35,0 KM/H	
	PRODUCT DESCRIPTION:	
	FITTING POSITION: FRONT AXLE	
	RATIO TOTAL: I= 24,66	
	PLANETARY DRIVE: I= 6,00 P4-315-50	
	BEVELGEAR SET: I= 4,11 T=37/9	
	MOUNTING: SPRING TRACE L= 800,2/1003,4/1206,6/200/ 12XDIAMETER 27	
	FLANGE DISTANCE: L=2083	
	WHEEL TRACK: L=2150	
	SPUR GEAR DRIVE: WITHOUT	
	BRAKE:	
	MULTI-DISC BRAKE:HYDRAULIC 345X264	
	PARKING BRAKE: NO	
	LINING DISC: 5	
	LEVERAGE: WITHOUT	
	BRAKE CALCULATION: 4474 716 157	

# Technical Cover

Page 2 from 2

Material number: 4474.053.055



MT-L 3095 /

Pos.	Information	Amendment number
	DIFF.CARRIER:	
	TYPE/SIZE: HKV	
	SENS OF ROTATION:CLOCKWISE	
	RING GEAR: SPIRAL DIRECTION RIGHT	
	SPUR GEAR DRIVE: WITHOUT	
	POSITION OF RING GEAR: LEFT	
	FLANGE POS.BEVEL DRIVE: MIDDLE	
	FLANGE MECH.7C 1/2"-20 UNF2B	
	DIFFERENTIAL:	
	LIMITED-SLIP DIFFERENTIAL	
	TYPE: DL 2400	
	BEVEL SIDE GEAR SPLINE: N 50X1,25	
	INTERLOCK VALUE: 45 PER CENT (%)	
	DRAWINGS:	
	SECT.DRAWING: 4474 053 003(0)	
	EINBAU: 4474 653 013(0)	
	TEST SPECIFICATION: 4474 760 005(2)	
	TEST SPECIFICATION: 4474 760 005(2)	
	ASSEMBLY INSTRUCTION:	
	OIL CAPACITY:	
	TOTAL APPROX. ....L	
	OIL FILLING: YES	
	OIL SPECIFICATION ML 05	
	BRAKE CONTROL: ATF-OIL/MOTOROIL 10 W	
	WEIGHT-TOTAL: ...KG	
	COLOUR: 5 BLACK RAL 9005	
	PACKING:	
	MISCELLANEOUS/REMARKS:	
	QUANTITY OF LINED DISCS IN TYPE PLATE PUNCH MARK	

# Assembly group overview

Page 1 from 1

Material number: 4474.053.055



MT-L 3095 /

Picture	Pos.	Material number	Name	Quantity	Amend. no.	Techn. Info.
446001601801	10	4460.016.049	HKV	1		
447414503600	20	4474.145.036	AXLE CASING	1		
447414541900	30	4474.145.419	AXLE CASING	1		
447414603500	40	4474.146.035	OUTPUT	2		
447414641500	50	4474.146.415	OUTPUT	2		
447414701900	70	4474.147.019	BRAKE	2		

# Picture

Page 1 from 2

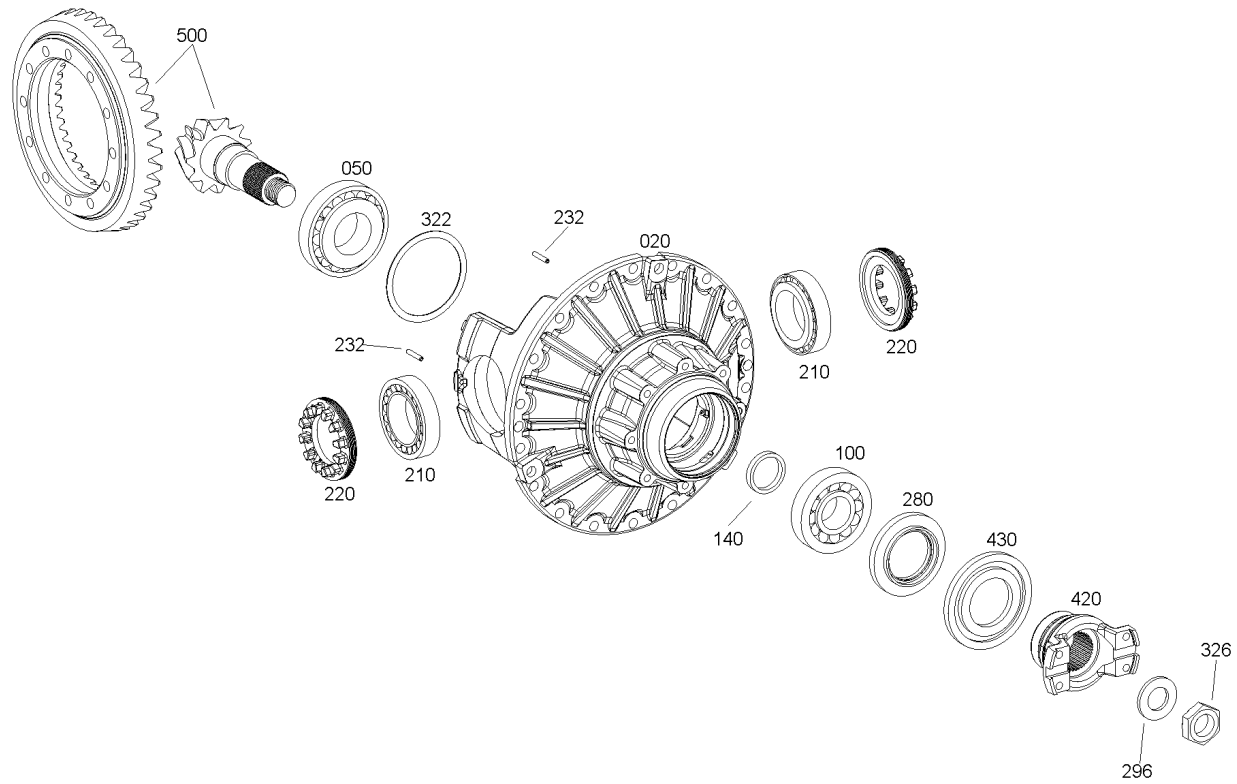
Material number: 4474.053.055

Picture: 446001601801

Material-assembly-group-no: 4460.016.049



MT-L 3095 /  
HKV



# Picture

Page 2 from 2

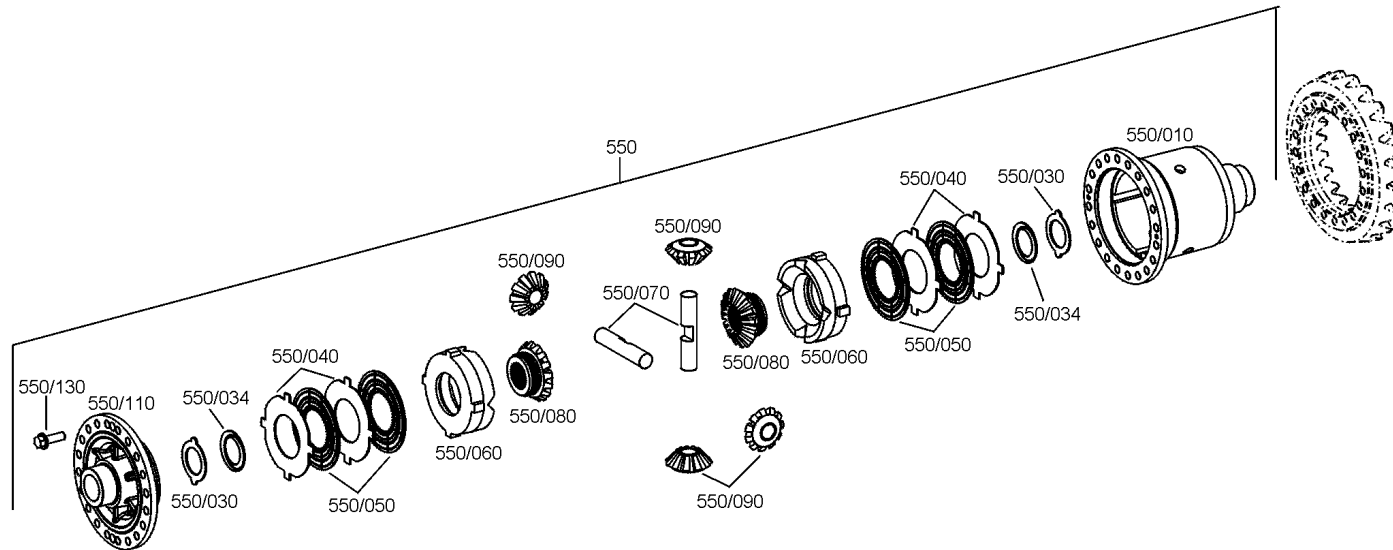
Material number: 4474.053.055

Picture: 446001601802

Material-assembly-group-no: 4460.016.049



MT-L 3095 /  
HKV



# Picture

Page 1 from 1

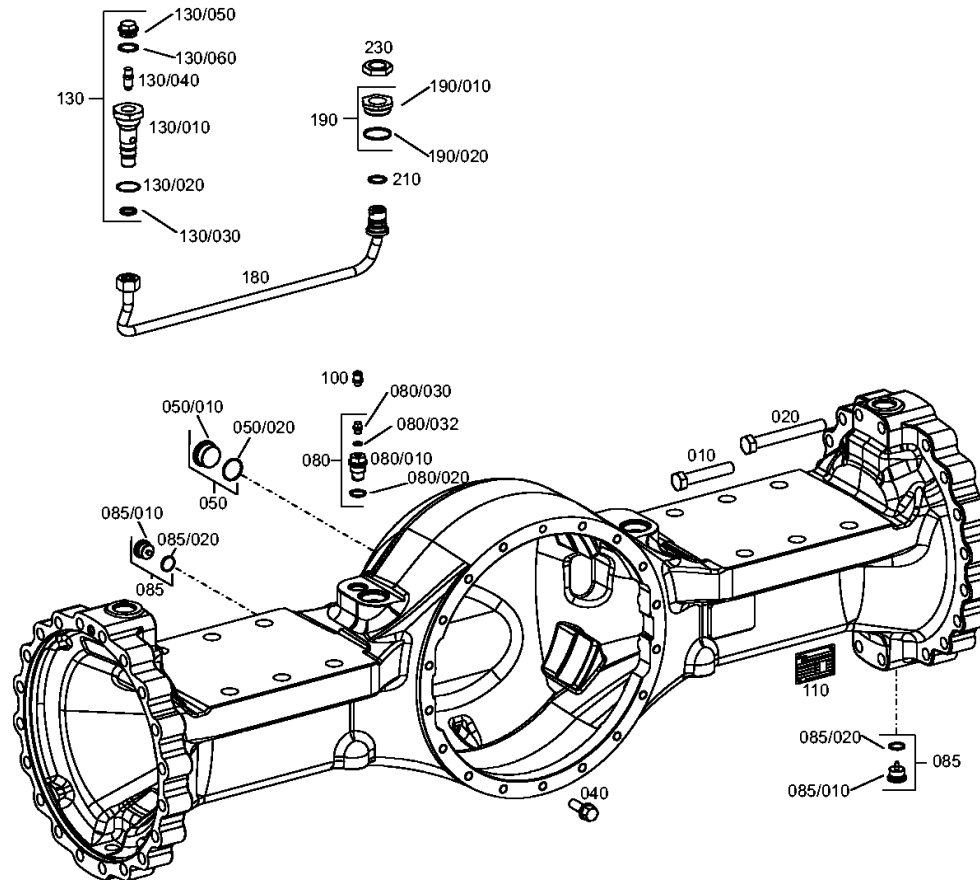
Material number: 4474.053.055

Picture: 447414503600

Material-assembly-group-no: 4474.145.036



MT-L 3095 /  
AXLE CASING





# Picture

Page 1 from 1

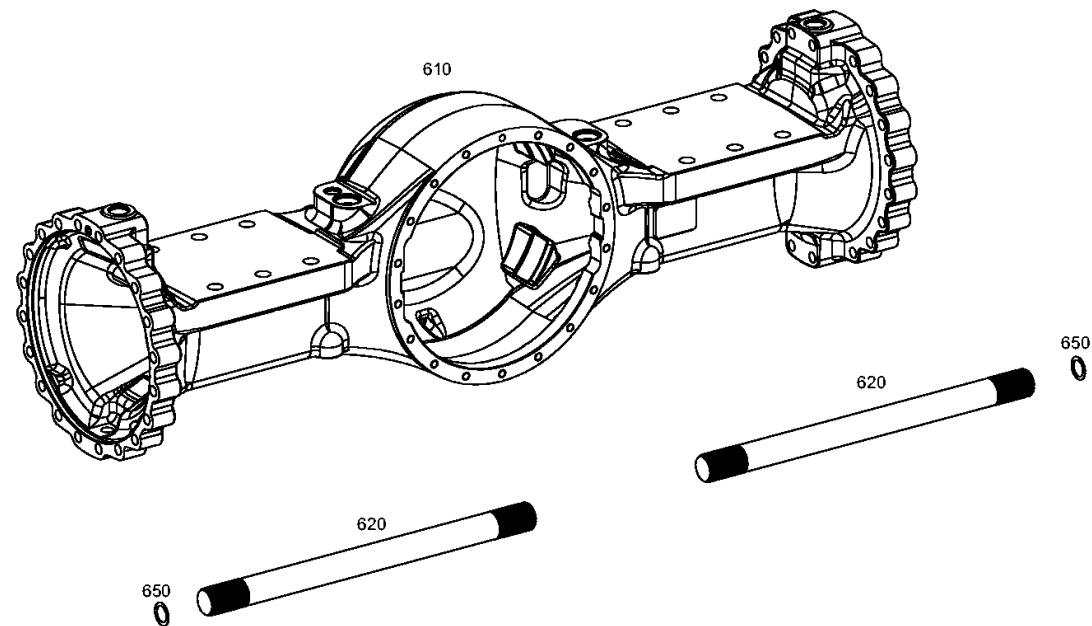
Material number: 4474.053.055

Picture: 447414541900

Material-assembly-group-no: 4474.145.419



MT-L 3095 /  
AXLE CASING



# Picture

Page 1 from 1

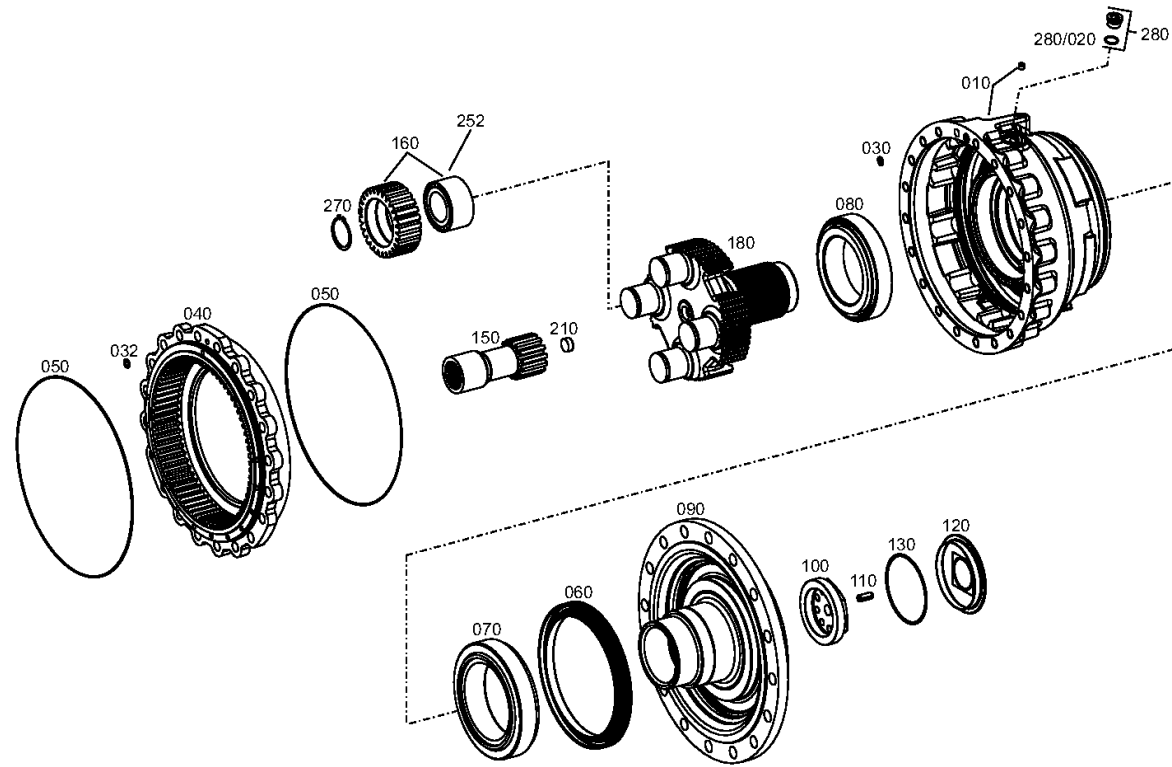
Material number: 4474.053.055

Picture: 447414603500

Material-assembly-group-no: 4474.146.035



MT-L 3095 /  
OUTPUT



rechts/links  
right/left  
destra/sinistra  
droite/gauche  
derecho/izquierdo

# Picture

Page 1 from 1

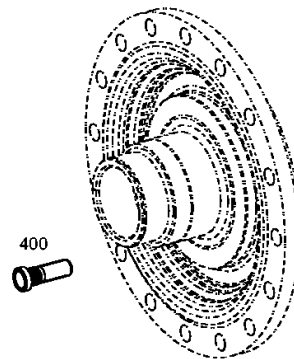
Material number: 4474.053.055

Picture: 447414641500

Material-assembly-group-no: 4474.146.415



MT-L 3095 /  
OUTPUT



# Picture

Page 1 from 1

Material number: 4474.053.055

Picture: 447414701900

Material-assembly-group-no: 4474.147.019



MT-L 3095 /  
BRAKE

