



# Spare Parts Catalog

MT-L 3095 II

Material number: 4474.053.234

Current date: 30.06.2021

ZF Friedrichshafen AG  
Hauptverwaltung  
80038 Friedrichshafen  
Deutschland

Telefon: +49 7541 77-0

Telefax: +49 7541 77-908000

[www.zf.com](http://www.zf.com)

zuständiges Werk:  
Passau

# Notes relating to the spare parts catalog

## Setup of the spare parts catalog

- Cover sheet
- Technical Cover (only in SDM print)
- Overview of figures
- Figure
- Associated parts list
- Next figure
- Associated parts list
- ...

## Figure and parts list



## Overview of figures

Bildtafel Figure	Sachnummer Product number	Benennung (Description)	Technische Info Technical info	Description (Benennung)	Menge Quantity	Einheit Unit
068.08.17	1316.170.001	AUSLEGER	WL	SHIFT TURRET	1	Stk
068.08.06	1316.170.031	DECKEL	WL*H-H *VM	COVER	1	Stk
068.08.14	1316.170.808	DECKEL	WL*AUSL+GEH*H-H*HF160N	COVER	1	Stk
08	1316.170.441	ANSCHLUSSTEILE	WL*NG-VORB*RG-SCHL*168N *BAJONETT	CONNECTING PARTS	1	Stk

The "gap" indicates that there is no separate graphics panel (poster) for this assembly  
The parts of this assembly are shown with the same mid-section number on the figure

### 1 Positions and subpositions

Pos.	Sachnummer Product number	Benennung (Description)	Technische Info Technical info	Description (Benennung)	Menge Quantity	Einheit Unit
0370	1315.201.054	RUECKLAUFBOLZEN	KPL.16S151*SG*L= 79	REV.IDLER SHAFT	1	Stk
/0120	0631.329.293	SPANNSTIFT		SLOT. PIN	1	Stk

Positions marked with "/" are the individual items of a completion  
For example: Position 0370 contains a centering pin with the position /0120

### 2 Combinations with standardized parts

Pos.	Sachnummer Product number	Benennung (Description)	Technische Info Technical info	Description (Benennung)	Menge Quantity	Einheit Unit
0630		VERSCHL.SCHR.		SCREW PLUG	1	Stk
	0636.302.067	VERSCHL.SCHR.		SCREW PLUG	1	Stk
	0634.801.249	DICHTRING	A 26 X 31	SEALING RING	1	Stk

The parts list shows the components included in the combination of standardized parts

### 3 Depiction of position/item number on the figure and in the parts list

01.620 - on the figure      01 relates to the assembly in which the position is included. Due to program-related reasons, it is shown on the figure.

0620 - in the parts list

Pos.	Sachnummer Product number	Benennung (Description)	Technische Info Technical info	Description (Benennung)	Menge Quantity	Einheit Unit
0620	0732.040.736	DRUCKFEDER		COMPRESSION SPRING	1	Stk

### 4 \*-Positions

Positions marked with an \* are optional i.e. inclusion in the parts list is not mandatory.  
The following note is shown on the figure

je nach Stücklistenausführung  
depending on spec. number  
\*  
suivant la nomenclature  
secondo la distinta base

### 5 Parts, dotted display

Parts with dotted display on the figure are only used for orientation of other parts

# Technical Cover

Page 1 from 2

Material number: 4474.053.234



MT-L 3095 II /

Pos.	Information	Amendment number
	VEHICLE DATA: -----	
	CUSTOMER: PROMMEDINVEST	
	CUSTOMER-IDENT-NO.: OHNE	
	VEHICLE DESIGNATION: A371	
	TYRE SIZE: 23.5-25	
	MAX. SPEED: 40 KM/H	
	PRODUCT DESCRIPTION: ZF- MULTITRAC-AXLE	
	VEHICLE TYPE: WHEEL LOADER	
	AXLE TYPE: MT-L 3095 II	
	VERSION: RIGID	
	AXLE ARRANGEMENT: REAR AXLE	
	DIRECTION OF ROTATION: CCW	
	CROWN WHEEL POSITION: LEFT	
	SPIRAL DIRECTION: LEFT	
	INPUT FLANGE: D 180 10 X M16 X 1,5 X 45	
	FLANGE TO FLANGE DIM.: 2.314 MM	
	AXLE INSTALLATION: SPRING PAD	
	MOUNTING DIMENSIONS: 980X1220 8XD=33	
	BRAKE TUBE: INTERNAL	
	MAIN DIFFERENTIAL: LIMITED-SLIP DIFFERENTIAL	
	DIFFERENTIAL TYPE/SIZE: DL-2400/HKV	
	LOCKING RATIO: 30%	
	AXLE RATIO: 24,666	
	PLANETARY DRIVE: P4, I=6,0	
	SEALING TYPE OF SHAFT S METAL FACE SEAL	
	BRAKE : SERVICE BRAKE	
	SERVICE BRAKE : 2X MULTI-DISC BRAKE 345X264X6	
	MULTI-DISC BRAKE: SINTER-LINED CLUTCH DISC	
	PISTON SEAL: STANDARD	
	BRAKE PORT SIZE: M18 X 1,5 VERTIKAL	
	RIM PITCH CIRCLE DIAM.: 425,00 MM	
	WHEEL CONNECTION: BOLT 20 X M22 X 1,5	
	WHEEL NUTS: WITHOUT	



Pos.	Information	Amendment number
	OIL FILLING AXLE DRIVE: WITH	
	OIL FILLER: STANDARD	
	AXLE OIL COOLING: WITHOUT	
	OIL - GRADE AXLE DRIVE: TE ML 05 (TITAN POWERFLUID)	
	OIL - GRADE ALLOWED: TE ML 05 E/F/G	
	PRIMER PAINT: RED RAL 3009	
	PAINT-FREE AREA: INPUT FLANGE	
	TYPE PLATE	
	TYPE PLATE: ZF- STANDARD	
	AXLE BREATHER: WITHOUT	
	SEPERATE ORDER CUSTOMER 0732.612.001 AXLE BREATHER	
	OIL FILL QUANTITY CA: 40,00 L	
	DOCUMENTATION: -----	
	SECTION DRAWING: 4474.053.210	
	INSTALLATION DRAWING: 4474.653.226	
	INSTALLATION INSTRUCTIO 4474.700.088	
	TESTING INSTRUCTION: 4474.760.009	

# Assembly group overview

Page 1 from 1

Material number: 4474.053.234



MT-L 3095 II /

Graphics	Pos.	Material number	Name	Quantity	Amend. no.	Techn. Info.
447415303150	60	4474.153.031	AXLE DRIVE HOUSING	1		
447415402100	10	4474.154.021	INPUT	1		
446012506550	20	4460.125.065	INPUT FLANGE	1		
448117106000	30	4481.171.060	LIMIT.SLIP DIFF	1		
447415501900	70	4474.155.019	AXLE CASING	1		
447415617800	130	4474.156.178	OUTPUT	1		
447415702400	40	4474.157.024	BRAKE	1		
447415501900	80	4474.155.019	AXLE CASING	1		
447415617800	140	4474.156.178	OUTPUT	1		
447415702400	50	4474.157.024	BRAKE	1		
447415801300	160	4474.158.013	AXLE PARTS	1		
447429830400	KIT	4474.298.304	WHEEL HEAD	1		

# Plant

Page 1 from 1

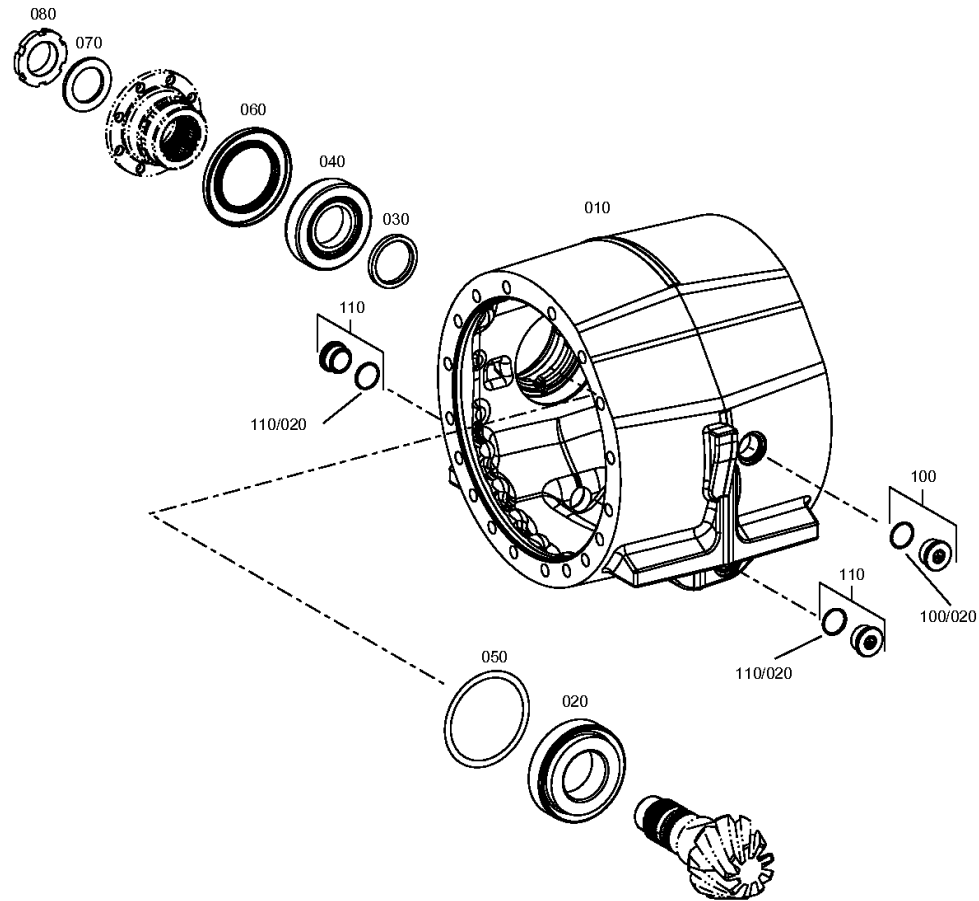
Material number: 4474.053.234

Plant: 447415303150

Material-assembly-group-no: 4474.153.031



MT-L 3095 II /  
AXLE DRIVE HOUSING



# Plant

Page 1 from 1

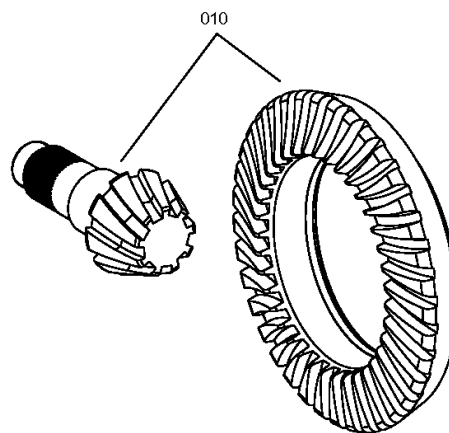
Material number: 4474.053.234

Plant: 447415402100

Material-assembly-group-no: 4474.154.021



MT-L 3095 II /  
INPUT



# Plant

Page 1 from 1

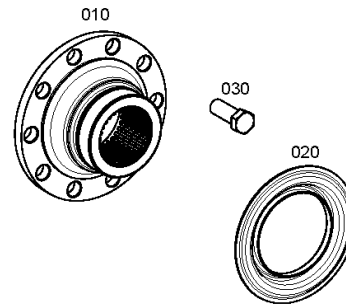
Material number: 4474.053.234

Plant: 446012506550

Material-assembly-group-no: 4460.125.065



MT-L 3095 II /  
INPUT FLANGE





# Plant

Page 1 from 1

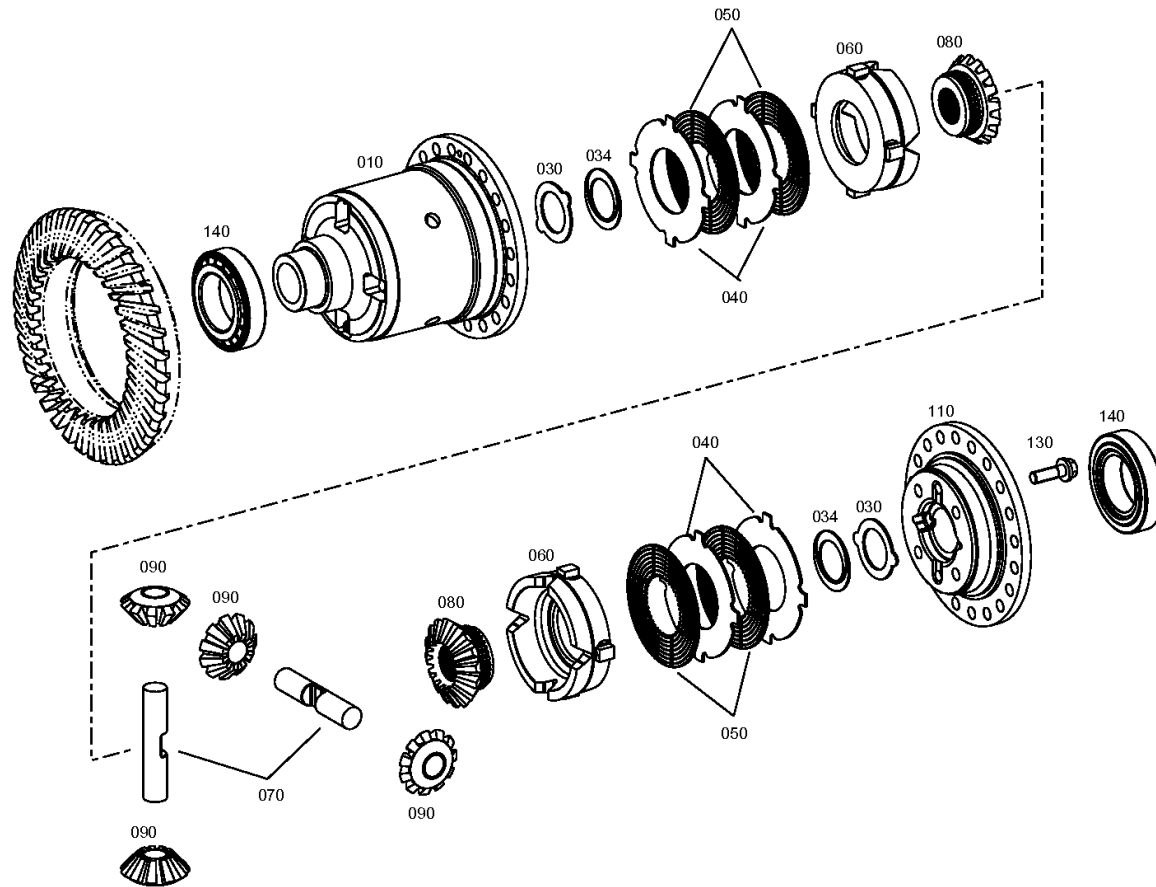
Material number: 4474.053.234

Plant: 448117106000

Material-assembly-group-no: 4481.171.060



MT-L 3095 II /  
LIMIT.SLIP DIFF



# Plant

Page 1 from 1

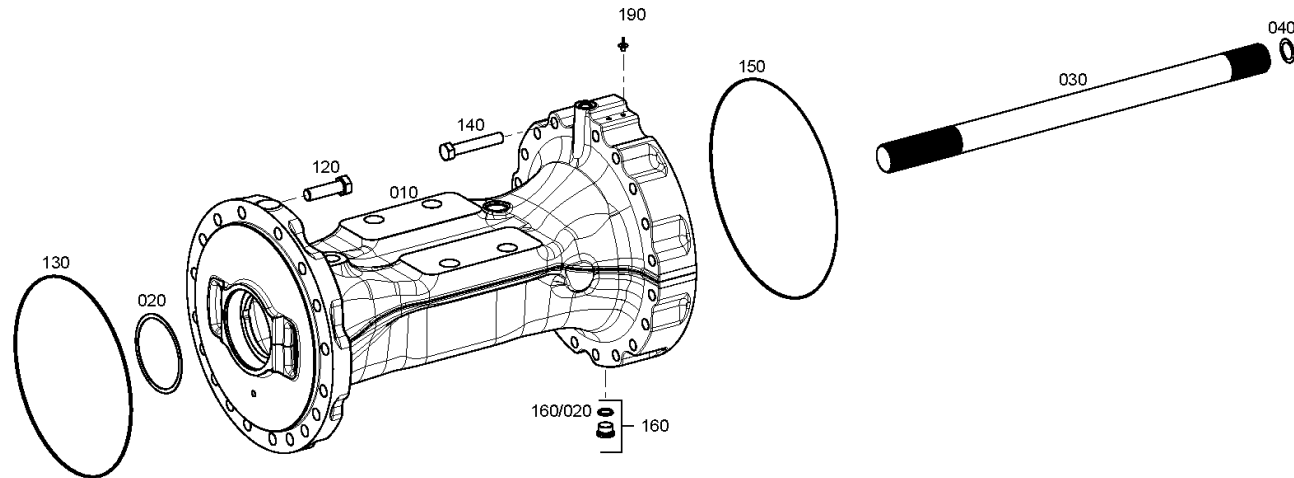
Material number: 4474.053.234

Plant: 447415501900

Material-assembly-group-no: 4474.155.019



MT-L 3095 II /  
AXLE CASING



# Plant

Page 1 from 1

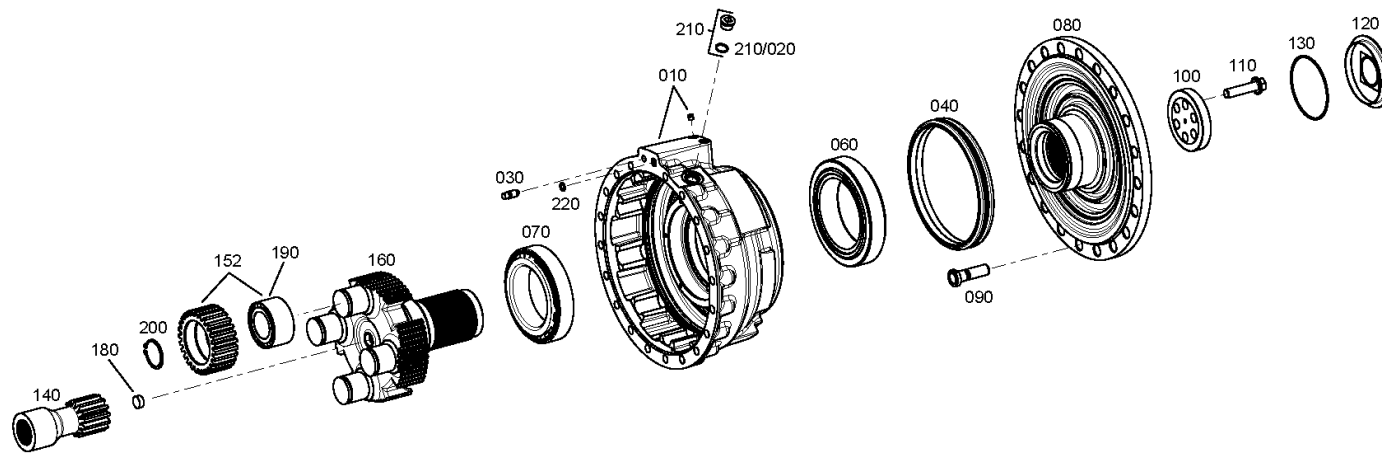
Material number: 4474.053.234

Plant: 447415617800

Material-assembly-group-no: 4474.156.178



MT-L 3095 II /  
OUTPUT



# Plant

Page 1 from 1

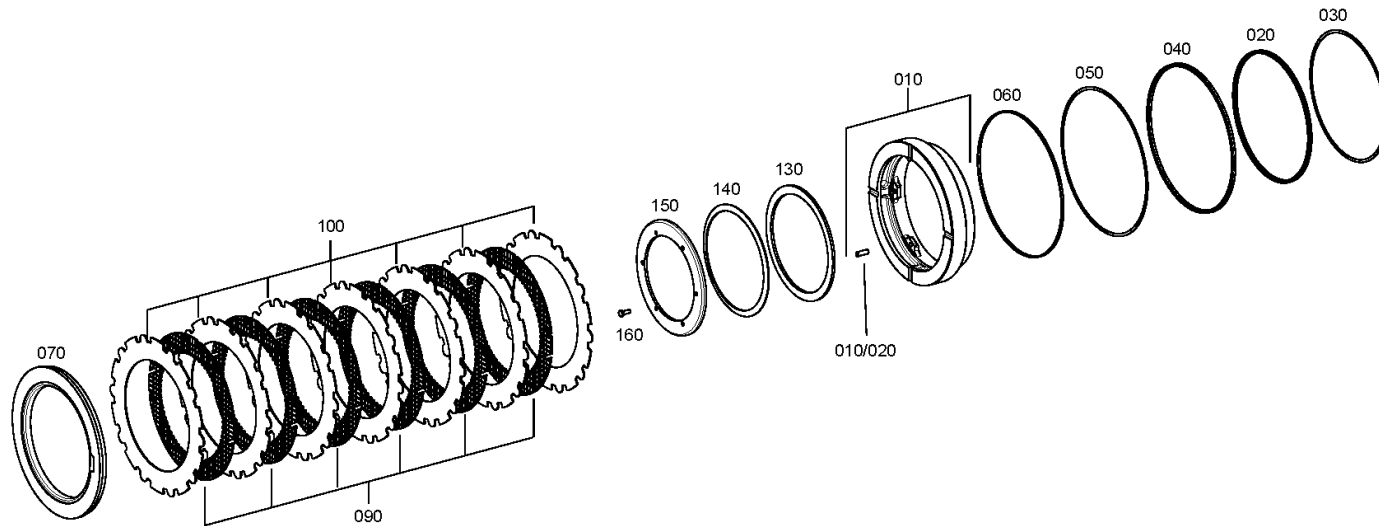
Material number: 4474.053.234

Plant: 447415702400

Material-assembly-group-no: 4474.157.024



MT-L 3095 II /  
BRAKE



rechts/links  
right/left  
destra/sinistra  
droite/gauche  
derecho/izquierdo

# Plant

Page 1 from 1

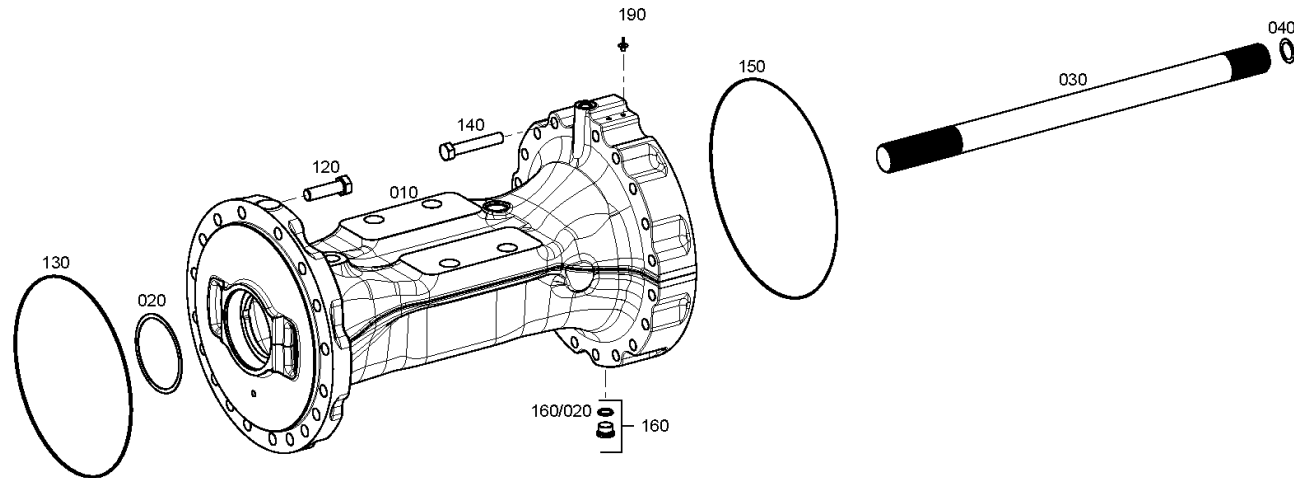
Material number: 4474.053.234

Plant: 447415501900

Material-assembly-group-no: 4474.155.019



MT-L 3095 II /  
AXLE CASING



# Plant

Page 1 from 1

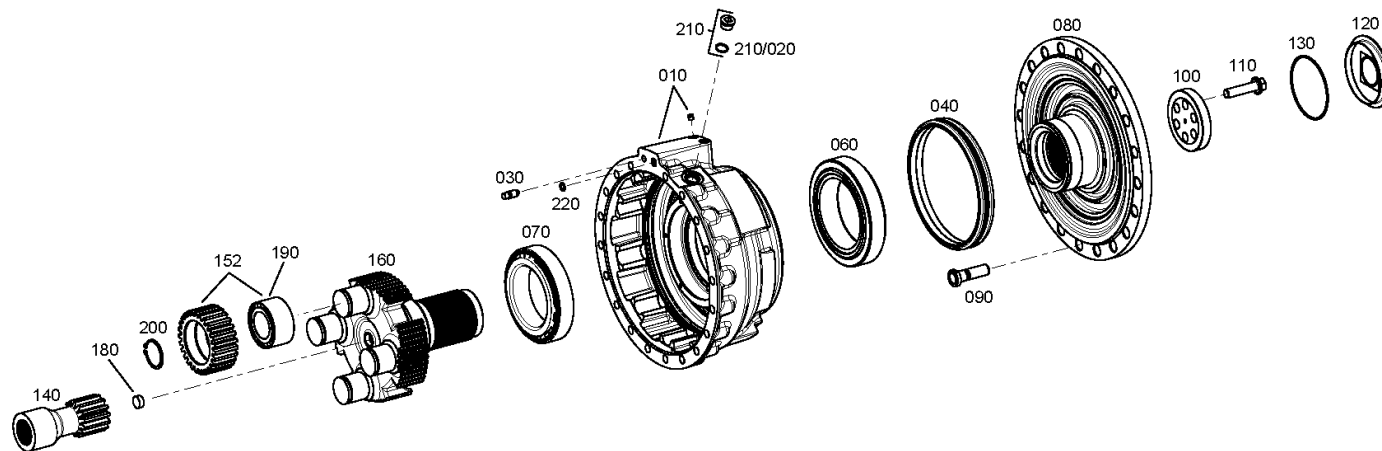
Material number: 4474.053.234

Plant: 447415617800

Material-assembly-group-no: 4474.156.178



MT-L 3095 II /  
OUTPUT



# Plant

Page 1 from 1

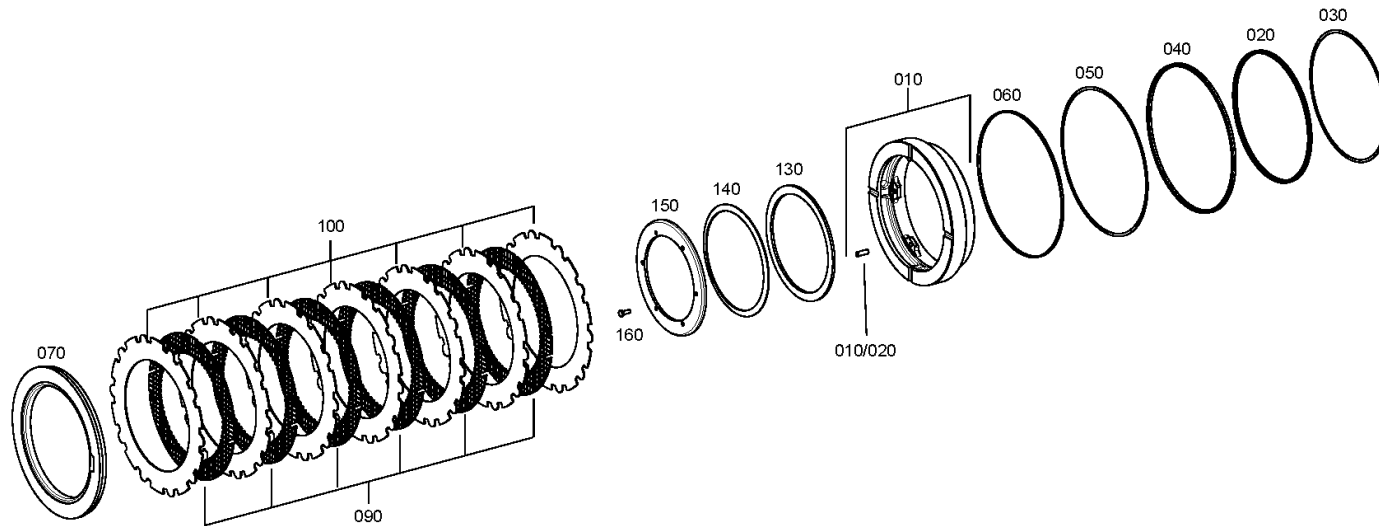
Material number: 4474.053.234

Plant: 447415702400

Material-assembly-group-no: 4474.157.024



MT-L 3095 II /  
BRAKE



rechts/links  
right/left  
destra/sinistra  
droite/gauche  
derecho/izquierdo

# Plant

Page 1 from 1

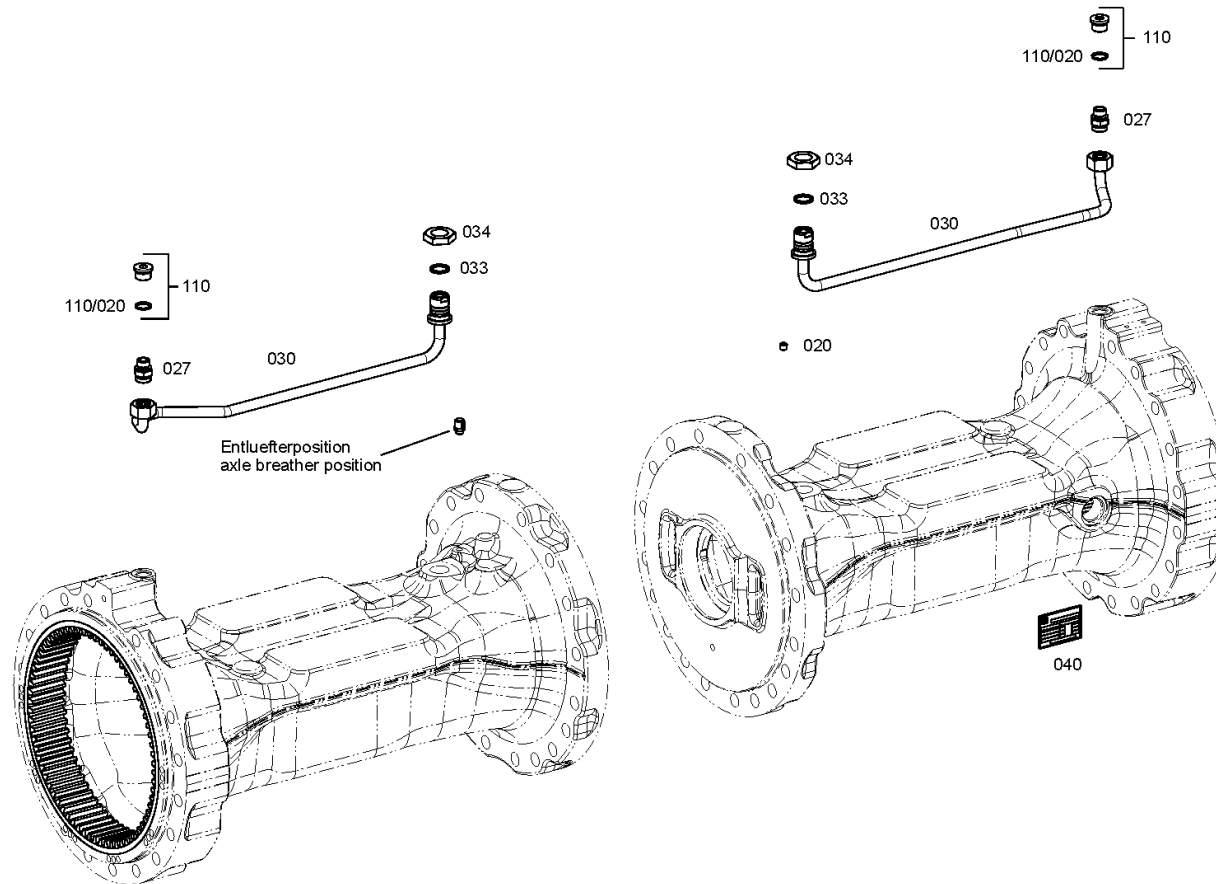
Material number: 4474.053.234

Plant: 447415801300

Material-assembly-group-no: 4474.158.013



MT-L 3095 II /  
AXLE PARTS





# Plant

Page 1 from 1

Material number: 4474.053.234

Plant: 447429830400

Material-assembly-group-no: 4474.298.304



MT-L 3095 II /  
WHEEL HEAD

Kit  
4474.298.304

