



# Spare Parts Catalog

MT-L 3105

Material number: 4474.054.054

Current date: 31.03.2023

ZF Friedrichshafen AG  
Hauptverwaltung  
80038 Friedrichshafen  
Deutschland

Telefon: +49 7541 77-0

Telefax: +49 7541 77-908000

[www.zf.com](http://www.zf.com)

zuständiges Werk:  
Passau

# Notes relating to the spare parts catalog

## Setup of the spare parts catalog

- Cover sheet
- Technical Cover (only in SDM print)
- Overview of figures
- Figure
- Associated parts list
- Next figure
- Associated parts list
- ...

## Figure and parts list



## Overview of figures

Bildtafel Figure	Sachnummer Product number	Benennung (Description)	Technische Info Technical info	Description (Benennung)	Menge Quantity	Einheit Unit
068.08.17	1316.170.001	AUSLEGER	WL	SHIFT TURRET	1	Stk
068.08.06	1316.170.031	DECKEL	WL*H-H *VM	COVER	1	Stk
068.08.14	1316.170.808	DECKEL	WL*AUSL+GEH*H-H*HF160N	COVER	1	Stk
08	1316.170.441	ANSCHLUSSTEILE	WL*NG-VORB*RG-SCHL*168N *BAJONETT	CONNECTING PARTS	1	Stk

The "gap" indicates that there is no separate graphics panel (poster) for this assembly  
The parts of this assembly are shown with the same mid-section number on the figure

### 1 Positions and subpositions

Pos.	Sachnummer Product number	Benennung (Description)	Technische Info Technical info	Description (Benennung)	Menge Quantity	Einheit Unit
0370	1315.201.054	RUECKLAUFBOLZEN	KPL.16S151*SG*L= 79	REV.IDLER SHAFT	1	Stk
/0120	0631.329.293	SPANNSTIFT		SLOT. PIN	1	Stk

Positions marked with "/" are the individual items of a completion  
For example: Position 0370 contains a centering pin with the position /0120

### 2 Combinations with standardized parts

Pos.	Sachnummer Product number	Benennung (Description)	Technische Info Technical info	Description (Benennung)	Menge Quantity	Einheit Unit
0630		VERSCHL.SCHR.		SCREW PLUG	1	Stk
	0636.302.067	VERSCHL.SCHR.		SCREW PLUG	1	Stk
	0634.801.249	DICHTRING	A 26 X 31	SEALING RING	1	Stk

The parts list shows the components included in the combination of standardized parts

### 3 Depiction of position/item number on the figure and in the parts list

01.620 - on the figure      01 relates to the assembly in which the position is included. Due to program-related reasons, it is shown on the figure.

0620 - in the parts list

Pos.	Sachnummer Product number	Benennung (Description)	Technische Info Technical info	Description (Benennung)	Menge Quantity	Einheit Unit
0620	0732.040.736	DRUCKFEDER		COMPRESSION SPRING	1	Stk

### 4 \*-Positions

Positions marked with an \* are optional i.e. inclusion in the parts list is not mandatory.  
The following note is shown on the figure

je nach Stücklistenausführung  
depending on spec. number  
\*  
suivant la nomenclature  
secondo la distinta base

### 5 Parts, dotted display

Parts with dotted display on the figure are only used for orientation of other parts

# Technical Cover

Page 1 from 2

Material number: 4474.054.054



MT-L 3105 /

Pos.	Information	Amendment number
	KUNDENNAME: HHI	
	IDENT-NR: 81LB-10030	
	FAHRZEUGBEZEICHNUNG: HL 770	
	REIFENGROESSE: 26,5-25	
	REIFENRADIUS: 0,725 M	
	ENDGESCHWINDIGKEIT: 37 KM/H	
	PRODUKTBESCHREIBUNG: ZF- MULTITRAC ACHSE	
	FAHRZEUGART: RADLADER	
	ACHSENTYP: MT-L 3105	
	AUSFUEHRUNG: STARR	
	ACHSANORDNUNG: VORDERACHSE	
	DREHRICHTUNG RITZEL : MUL	
	TELLERRADLAGE: LINKS	
	SPIRALRICHTUNG: RECHTS	
	ACHSEINSATZ: LKV	
	ANTRIEBSFLANSCH: MECH 8,5 C	
	FLANSCHMASS.: 2.314 MM	
	AUFHAENGUNG: FEDERBLATT	
	BEFESTIGUNGSMASSE/MM: 914X1168 8XD=33	
	QUERDIFFERENTIAL: SELBSTSPERRDIFFERENTIAL	
	SPERRWERT: 30%	
	ACHSUEBERSETZUNG: 23,334	
	PLANETENTRIEB: P4, I=6,0	
	BREMSE: BETRIEBSBREMSE	
	BETRIEBSBREMSE: 2 X LAMELLENBREMSE 345X264X8	
	LAMELLENART: SINTERLAMELLE	
	BREMSANSCHLUSS: 9/16 - 18 UNF 2B VERTIKAL	
	FELGENLOCHKREIS: 425,00 MM	
	WDR ABDICHTUNGSART: GLEITRING	
	RADANSCHLUSS: BOLZEN 20 X M22 X 1,5	
	RADMUTTER: OHNE	
	ACHSE OELFUELLUNG: MIT	
	ACHSE OELKUEHLUNG: OHNE	

# Technical Cover

Page 2 from 2

Material number: 4474.054.054



MT-L 3105 /

Pos.	Information	Amendment number
	OELSORTE: TE ML 05 (TITAN POWERFLUID)	
	OELSORTE ZUL.: TE ML 05 E/F/G	
	ABD. FARBFREIE FLAECHE: ANTRIEBSFLANSCH	
	TYPENSCHILD	
	TYPENSCHILD: ZF- STANDARD	
	ACHSE ENTLUEFTER: MIT	
	OELEINFUELLMENGE GESAMT 51,0 L	
	DOKUMENTATION: -----	
	SCHNITTZEICHNUNG: 4474 054 005	
	EINBAUZEICHNUNG: 4474 654 028	
	FAHRLEISTUNGSBER.: 4474 716 208	
	PRUEFANWEISUNG: 4474 760 004	
	BREMSBERECHNUNG: 4474 716 208	
	BEMERKUNGEN: RADBOLZENGWINDE VOR FARBE	
	SCHUETZEN	
	COLOUR: MAISGELB RAL 1006	

# Assembly group overview

Page 1 from 1

Material number: 4474.054.054



MT-L 3105 /

Picture	Pos.	Material number	Name	Quantity	Amend. no.	Techn. Info.
446002605001	10	4460.026.050	LK	1		
447414505550	20	4474.145.055	AXLE CASING	1		
447414550850	30	4474.145.508	AXLE CASING	1		
447414606700	40	4474.146.067	OUTPUT	1		
447414642100	55	4474.146.421	OUTPUT	1		
447414703000	60	4474.147.030	BRAKE	1		
447414606700	50	4474.146.067	OUTPUT	1		
447414642100	58	4474.146.421	OUTPUT	1		
447414703000	70	4474.147.030	BRAKE	1		
447429824700	KIT	4474.298.247	OUTPUT	1		

# Picture

Page 1 from 2

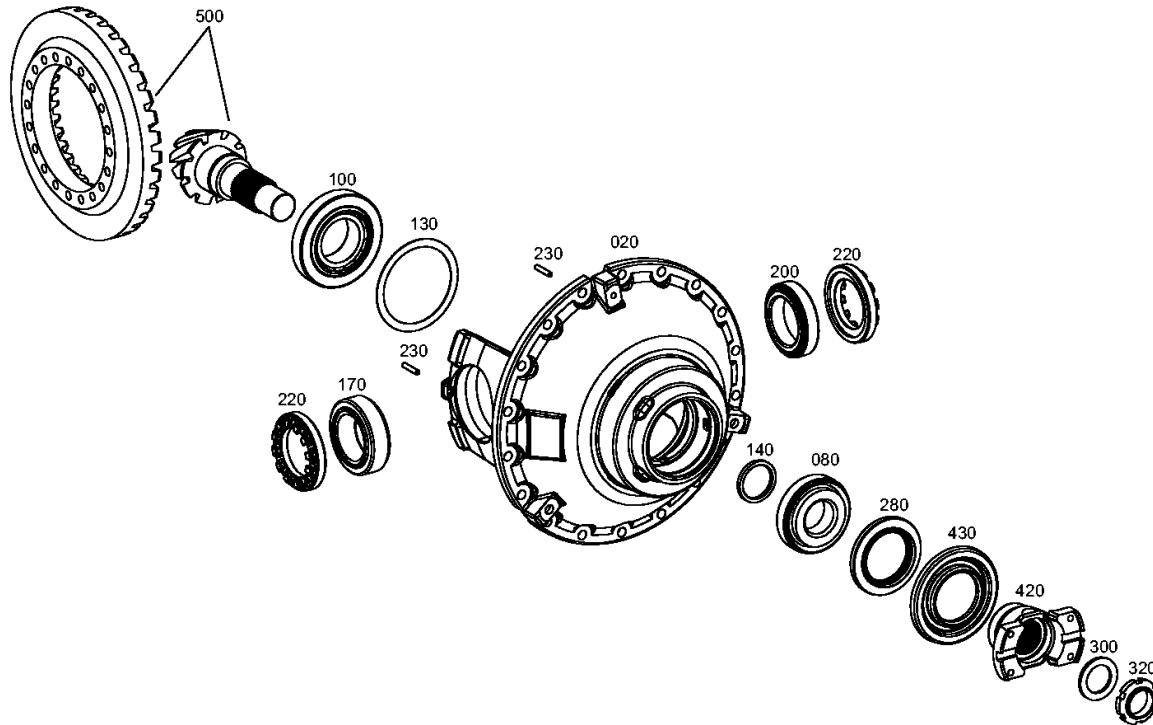
Material number: 4474.054.054

Picture: 446002605001

Material-assembly-group-no: 4460.026.050



MT-L 3105 /  
LK



# Picture

Page 2 from 2

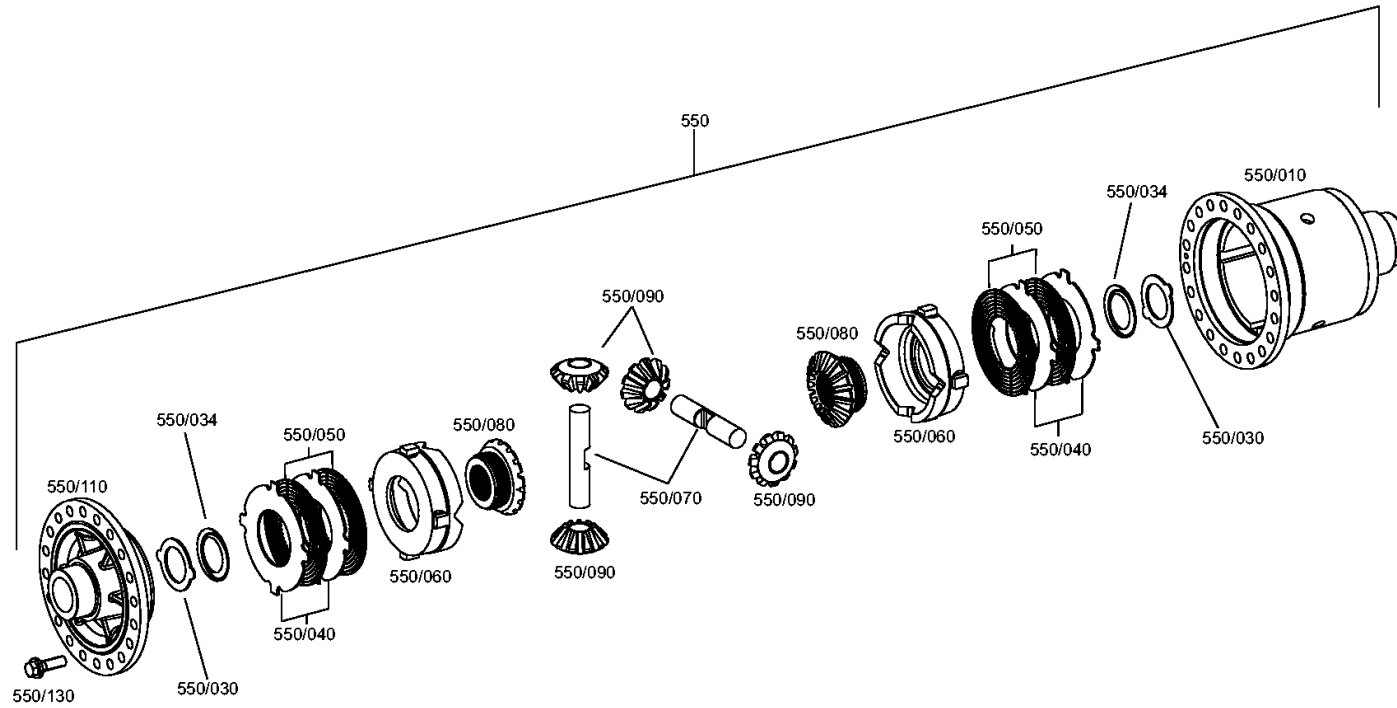
Material number: 4474.054.054

Picture: 446002605002

Material-assembly-group-no: 4460.026.050



MT-L 3105 /  
LK



# Picture

Page 1 from 1

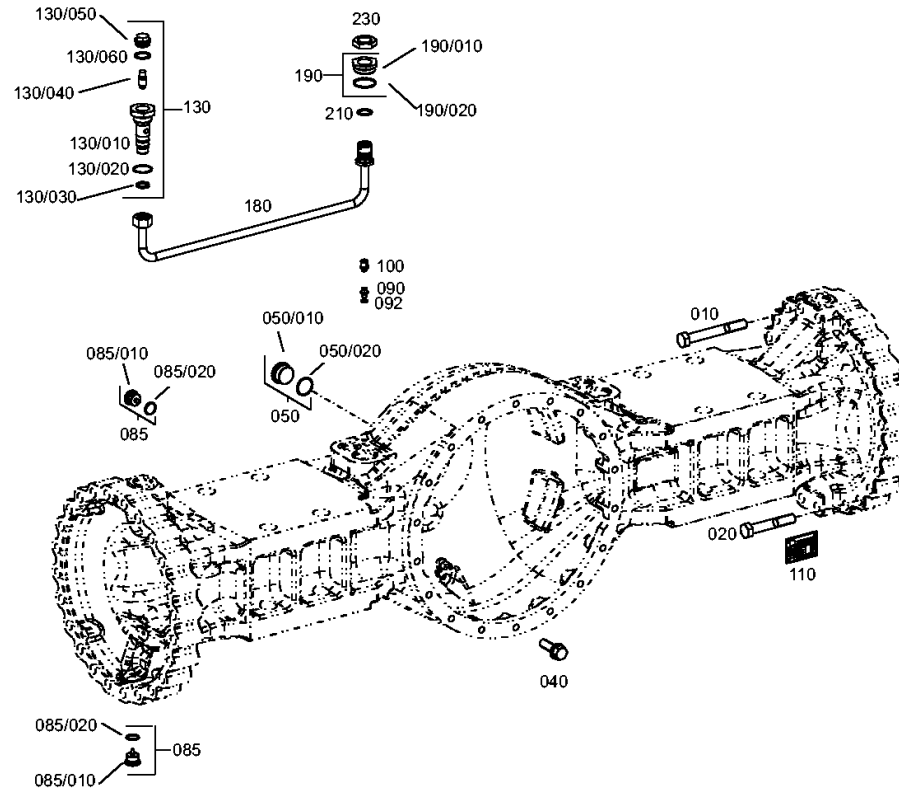
Material number: 4474.054.054

Picture: 447414505550

Material-assembly-group-no: 4474.145.055



MT-L 3105 /  
AXLE CASING





# Picture

Page 1 from 1

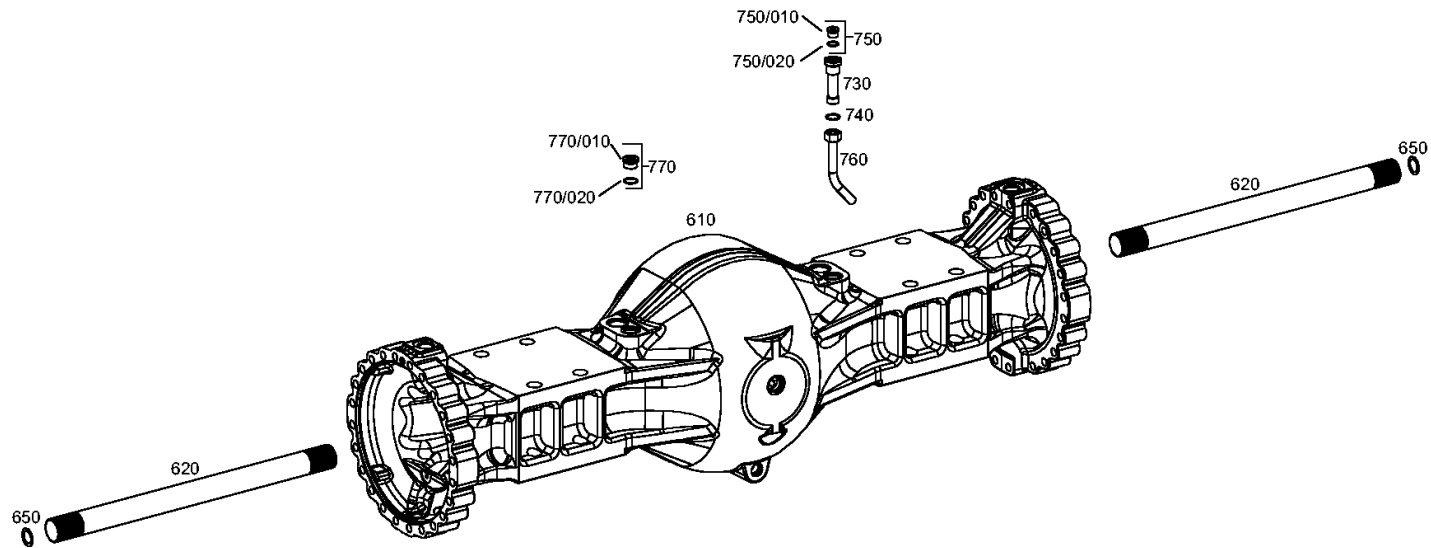
Material number: 4474.054.054

Picture: 447414550850

Material-assembly-group-no: 4474.145.508



MT-L 3105 /  
AXLE CASING



# Picture

Page 1 from 1

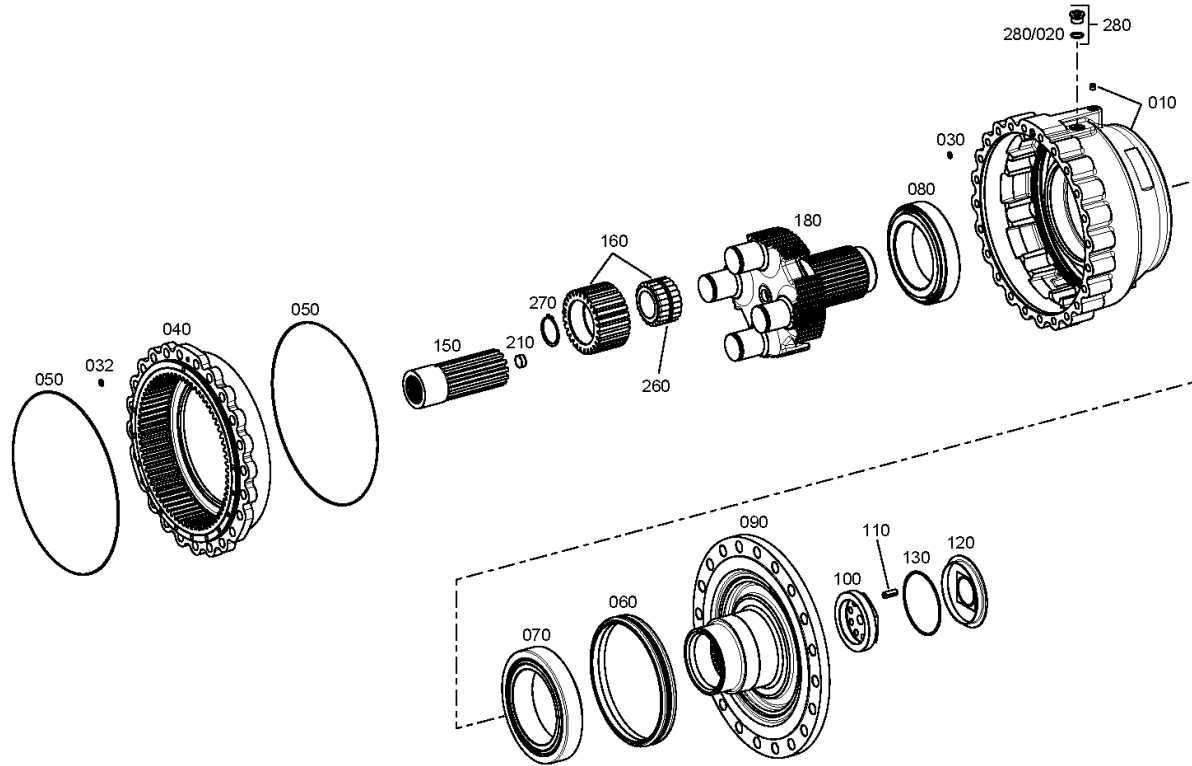
Material number: 4474.054.054

Picture: 447414606700

Material-assembly-group-no: 4474.146.067



MT-L 3105 /  
OUTPUT



# Picture

Page 1 from 1

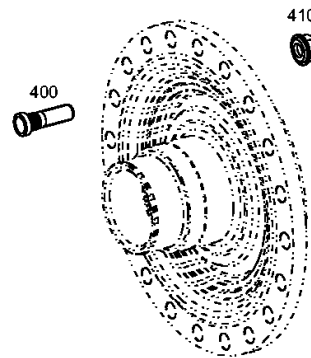
Material number: 4474.054.054

Picture: 447414642100

Material-assembly-group-no: 4474.146.421



MT-L 3105 /  
OUTPUT



rechts/links  
right/left  
destra/sinistra  
droite/gauche  
derecho/izquierdo

# Picture

Page 1 from 1

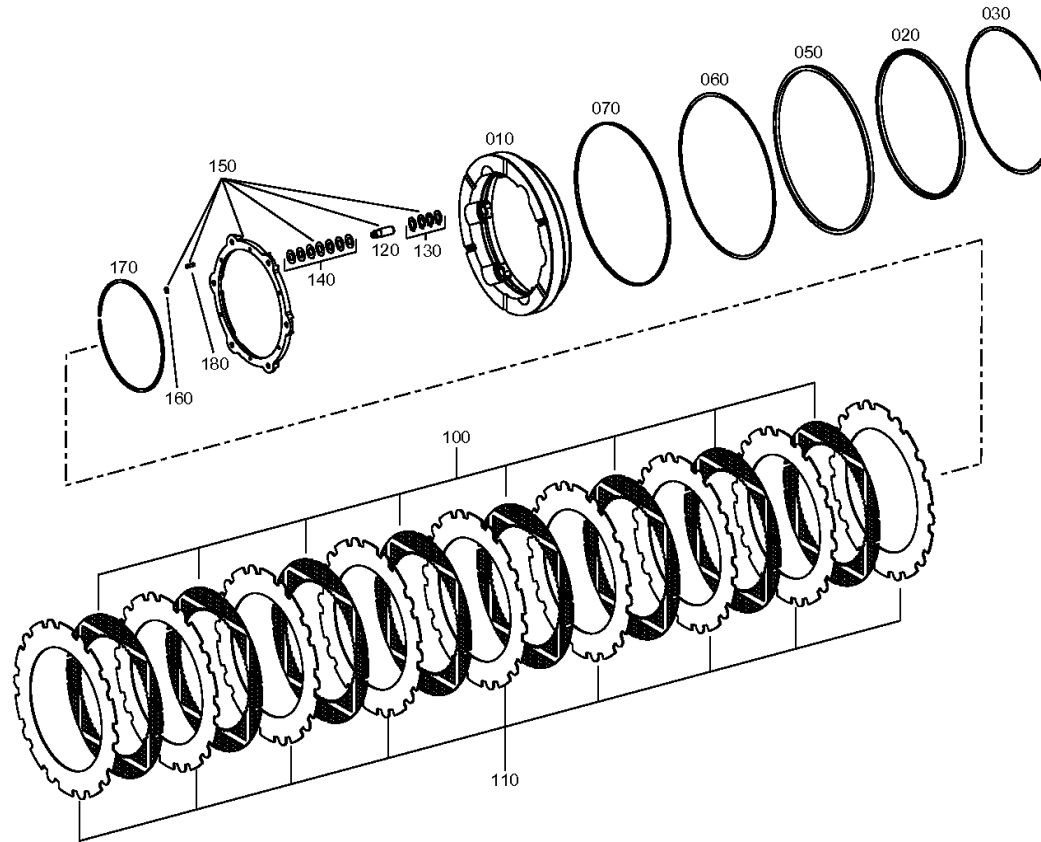
Material number: 4474.054.054

Picture: 447414703000

Material-assembly-group-no: 4474.147.030



MT-L 3105 /  
BRAKE



# Picture

Page 1 from 1

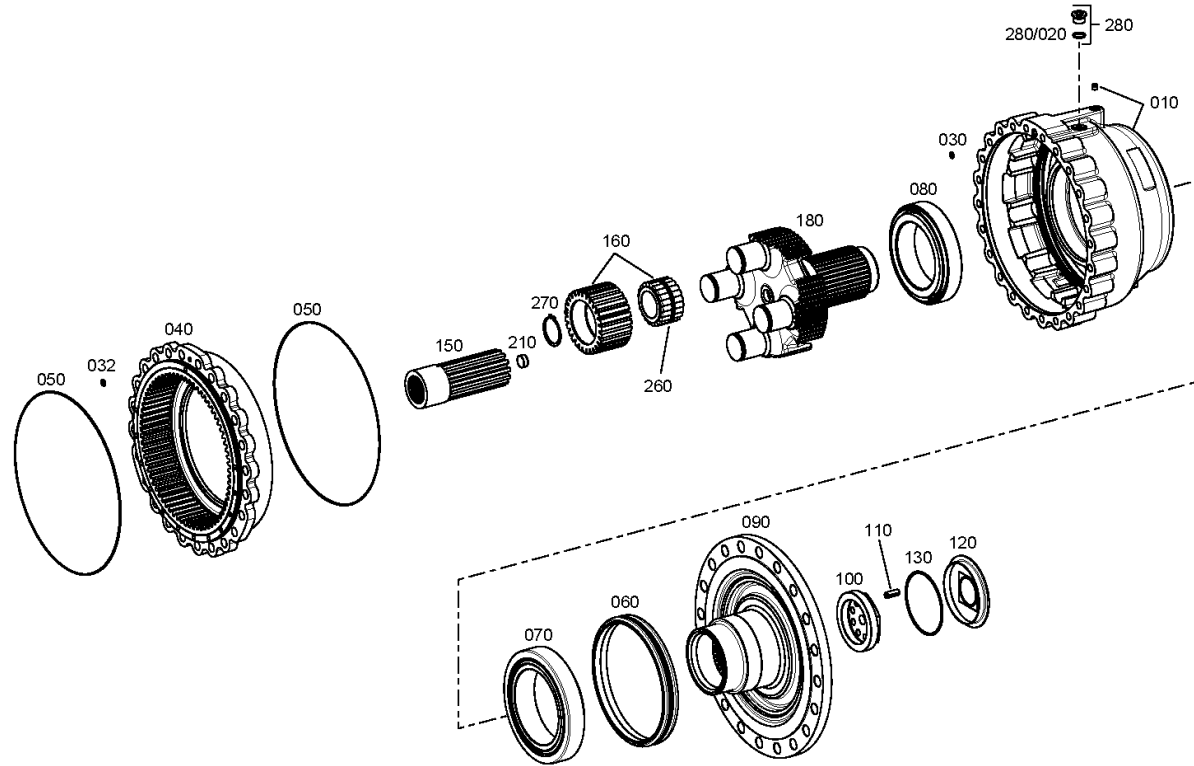
Material number: 4474.054.054

Picture: 447414606700

Material-assembly-group-no: 4474.146.067



MT-L 3105 /  
OUTPUT



# Picture

Page 1 from 1

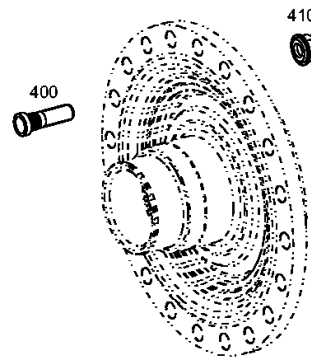
Material number: 4474.054.054

Picture: 447414642100

Material-assembly-group-no: 4474.146.421



MT-L 3105 /  
OUTPUT



rechts/links  
right/left  
destra/sinistra  
droite/gauche  
derecho/izquierdo

# Picture

Page 1 from 1

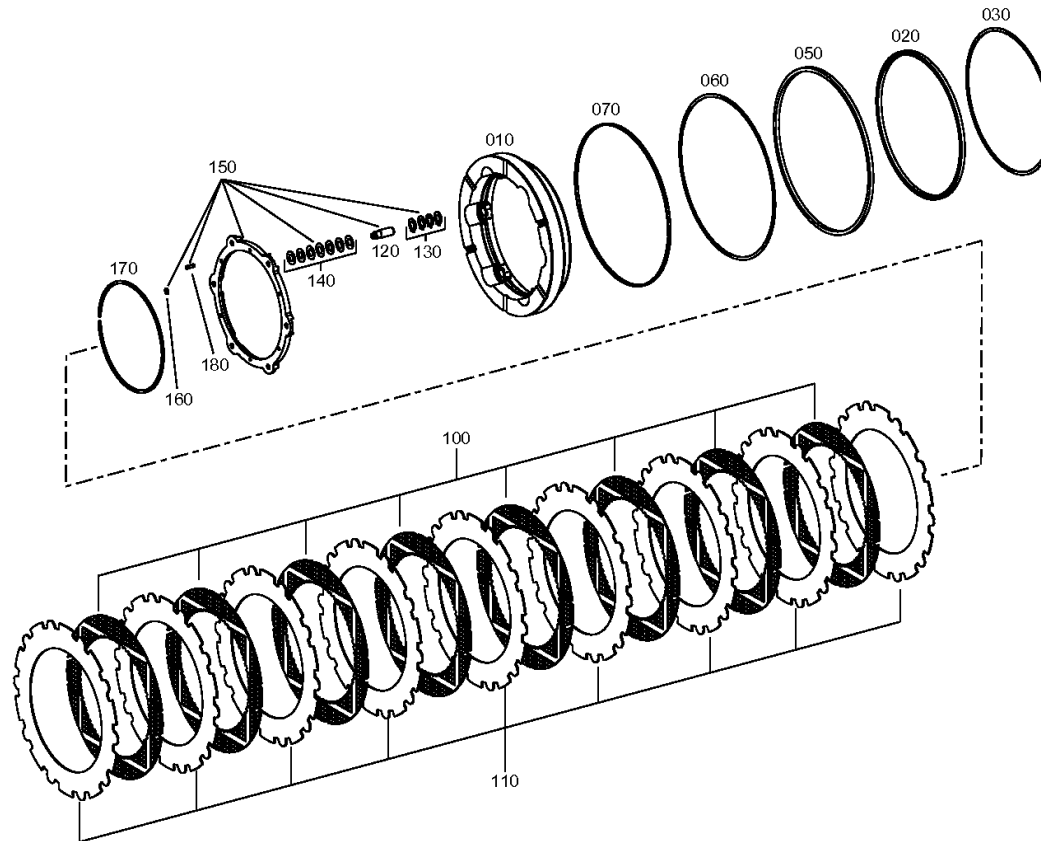
Material number: 4474.054.054

Picture: 447414703000

Material-assembly-group-no: 4474.147.030



MT-L 3105 /  
BRAKE



# Picture

Page 1 from 1

Material number: 4474.054.054

Picture: 447429824700

Material-assembly-group-no: 4474.298.247



MT-L 3105 /  
OUTPUT

Kit  
4474 298 247

