



Spare Parts Catalog

RL 82 A

Material number: 4474.075.456

Current date: 02.07.2020

ZF Friedrichshafen AG
Hauptverwaltung
80038 Friedrichshafen
Deutschland

Telefon: +49 7541 77-0

Telefax: +49 7541 77-908000

www.zf.com

zuständiges Werk:
Passau

Notes relating to the spare parts catalog

Setup of the spare parts catalog

- Cover sheet
- Technical Cover (only in SDM print)
- Overview of figures
- Figure
- Associated parts list
- Next figure
- Associated parts list
- ...

Figure and parts list



Overview of figures

Bildtafel Figure	Sachnummer Product number	Benennung (Description)	Technische Info Technical info	Description (Benennung)	Menge Quantity	Einheit Unit
068.08.17	1316.170.001	AUSLEGER	WL	SHIFT TURRET	1	Stk
068.08.06	1316.170.031	DECKEL	WL*H-H *VM	COVER	1	Stk
068.08.14	1316.170.808	DECKEL	WL*AUSL+GEH*H-H*HF160N	COVER	1	Stk
08	1316.170.441	ANSCHLUSSTEILE	WL*NG-VORB*RG-SCHL*168N *BAJONETT	CONNECTING PARTS	1	Stk

The "gap" indicates that there is no separate graphics panel (poster) for this assembly
The parts of this assembly are shown with the same mid-section number on the figure

1 Positions and subpositions

Pos.	Sachnummer Product number	Benennung (Description)	Technische Info Technical info	Description (Benennung)	Menge Quantity	Einheit Unit
0370	1315.201.054	RUECKLAUFBOLZEN	KPL.16S151*SG*L= 79	REV.IDLER SHAFT	1	Stk
/0120	0631.329.293	SPANNSTIFT		SLOT. PIN	1	Stk

Positions marked with "/" are the individual items of a completion
For example: Position 0370 contains a centering pin with the position /0120

2 Combinations with standardized parts

Pos.	Sachnummer Product number	Benennung (Description)	Technische Info Technical info	Description (Benennung)	Menge Quantity	Einheit Unit
0630		VERSCHL.SCHR.		SCREW PLUG	1	Stk
	0636.302.067	VERSCHL.SCHR.		SCREW PLUG	1	Stk
	0634.801.249	DICHTRING	A 26 X 31	SEALING RING	1	Stk

The parts list shows the components included in the combination of standardized parts

3 Depiction of position/item number on the figure and in the parts list

01.620 - on the figure 01 relates to the assembly in which the position is included. Due to program-related reasons, it is shown on the figure.

0620 - in the parts list

Pos.	Sachnummer Product number	Benennung (Description)	Technische Info Technical info	Description (Benennung)	Menge Quantity	Einheit Unit
0620	0732.040.736	DRUCKFEDER		COMPRESSION SPRING	1	Stk

4 *-Positions

Positions marked with an * are optional i.e. inclusion in the parts list is not mandatory.
The following note is shown on the figure

je nach Stücklistenausführung
depending on spec. number
*
suivant la nomenclature
secondo la distinta base

5 Parts, dotted display

Parts with dotted display on the figure are only used for orientation of other parts

Technical Cover

Page 1 from 2

Material number: 4474.075.456



RL 82 A /

Pos.	Information	Amendment number
	KUNDE:	
	IDENT-NR:	
	TECHN.FRAGEBOGEN:	
	PROJEKT-NR.:	
	FAHRZEUGDATEN:	
	STADTBUS	
	VORDERACHSLAST LEER : TO	
	VORDERACHSLAST BELADEN: TO	
	BEREIFUNG: EINFACH	
	REIFEN: 305/70 R22,5	
	FAHRZEUGMASSE:	
	FAHRZEUGMASSE: LEER: ..., TO	
	FAHRZEUGMASSE: BELADEN:T	
	RADBOLZEN 10XM22X1,5	
	FELGENTYP: 8.25"X22.5"	
	FELGENLOCHKREIS: 335 MM	
	ENDGESCHWINDIGK.: 110,0 KM/H	
	ZAHL DER ACHSEN: 3	
	RADSTAND: 7000MM	
	AGGREGATBESCHREIBUNG:	
	ACHSANORDNUNG: VORDERACHSE	
	BREMSE:	
	SCHEIBENBREMSE: PNEUMATISCH MIT ABS	
	BELAG: TEXTAR 7400	
	ZYLINDER: D=24"PNEUMATISCH	
	BREMSSATTEL: KNORR SN-7	
	MIT ELEKTR.VERSCHLEISS-ANZEIGE-KONTINUIERLICH	
	ZEICHNUNGEN:	
	SCHNITT: 4474 075 205()	
	EINBAU: 4474 675 344(0)	
	PRUEFANWEISUNG:	
	MONTAGEHINWEIS:	
	FELGENANLAGEFLAECHE MIT ABDECKUNG 4474 385 100 VOR	

Technical Cover

Page 2 from 2

Material number: 4474.075.456



RL 82 A /

Pos.	Information	Amendment number
	FARBE SCHUETZEN.	
	ABDECKUNG 4474 385 100 NACH DEM SPRITZEN ENTFERNEN	
	UND FELGENANLAGEFL.MIT GEEIGNETEM MITTEL (Z.B.ANTICORIT)	
	VOR KORROSION SCHUETZEN	
	OELFUELLUNG: NEIN	
	GESAMT-TROCKENMASSE: KG	
	FARBE: 5 TIEFSCHWARZ RAL 9005	
	VERPACKUNG:	
	FARBFREIE UND KORROSIONSGESCHUETZTE FLAECHEEN SIEHE EBZ	

Assembly group overview

Page 1 from 1

Material number: 4474.075.456



RL 82 A /

Picture	Pos.	Material number	Name	Quantity	Amend. no.	Techn. Info.
447415033800	10	4474.150.338	WHEEL END	1		
447415033900	15	4474.150.339	WHEEL END	1		
447410122600	80	4474.101.226	AXLE CASING	1		
446212328901	20	4462.123.289	BRAKE	1		
446212329001	30	4462.123.290	BRAKE	1		

Picture

Page 1 from 1

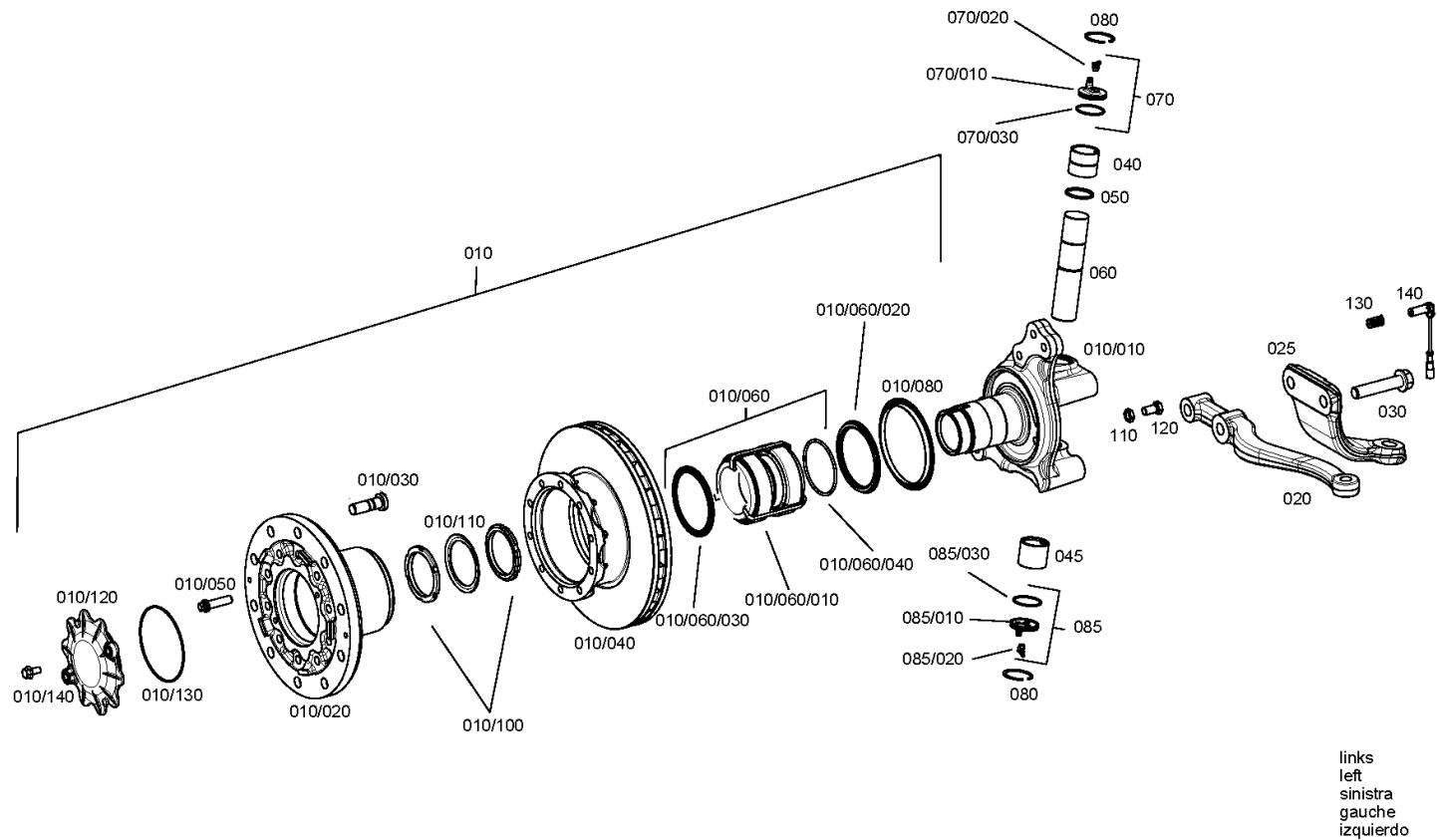
Material number: 4474.075.456

Picture: 447415033800

Material-assembly-group-no: 4474.150.338



RL 82 A /
WHEEL END



Picture

Page 1 from 1

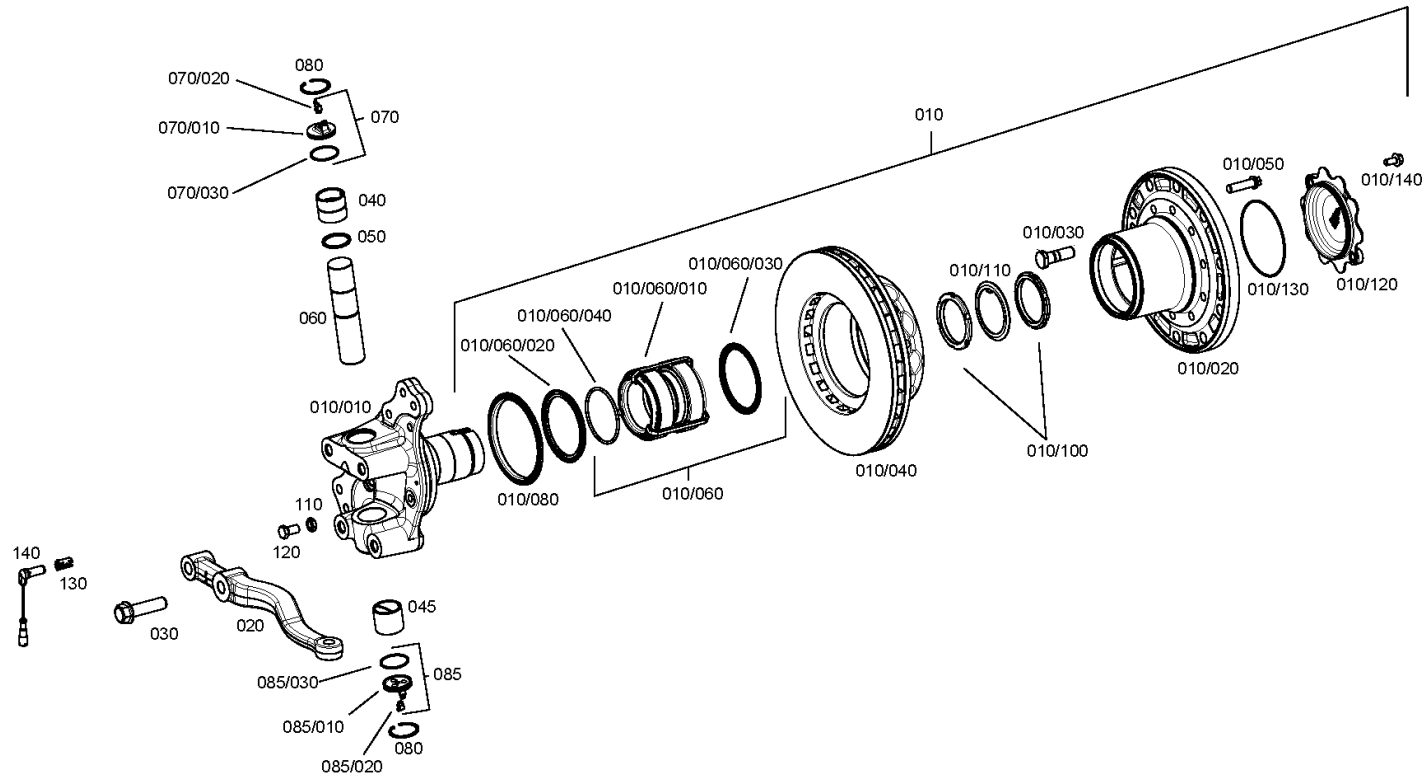
Material number: 4474.075.456

Picture: 447415033900

Material-assembly-group-no: 4474.150.339



RL 82 A /
WHEEL END



rechts
right
destra
droite
derecho

Picture

Page 1 from 1

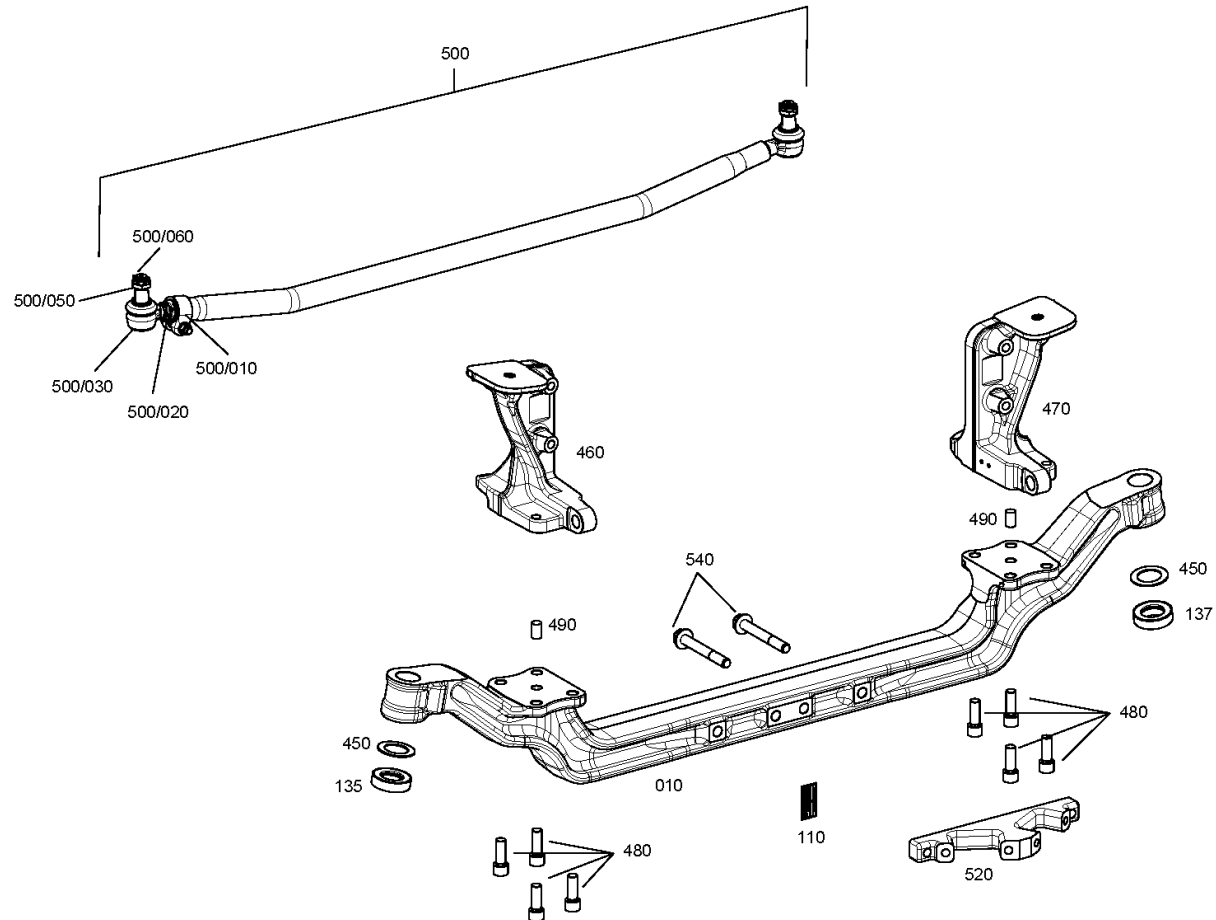
Material number: 4474.075.456

Picture: 447410122600

Material-assembly-group-no: 4474.101.226



RL 82 A /
AXLE CASING



Picture

Page 1 from 3

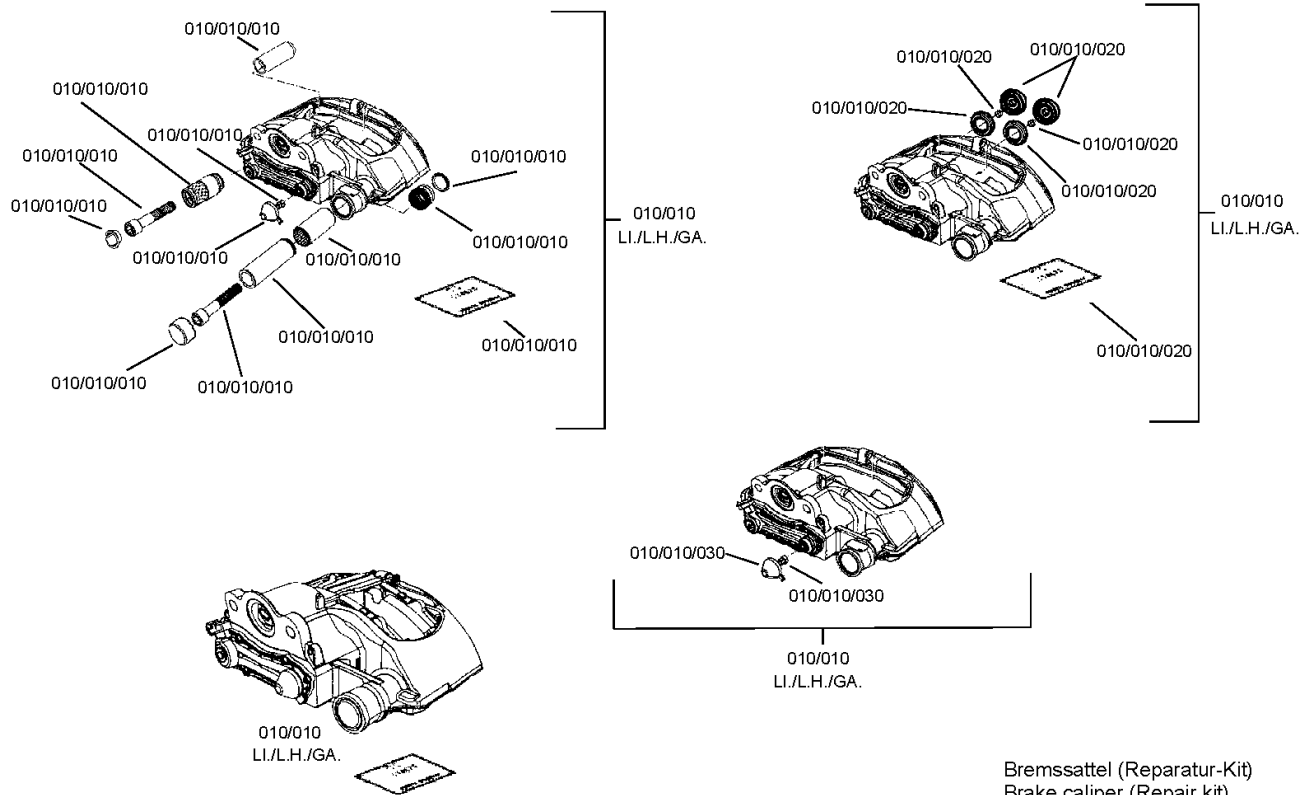
Material number: 4474.075.456

Picture: 446212328901

Material-assembly-group-no: 4462.123.289



RL 82 A /
BRAKE



Bremssattel (Reparatur-Kit)
Brake caliper (Repair kit)
Étrier de frein (kit de réparation)
Pinza del freno (Kit di riparazione)
Caliper de freno (Conj.de reparación)

Picture

Page 2 from 3

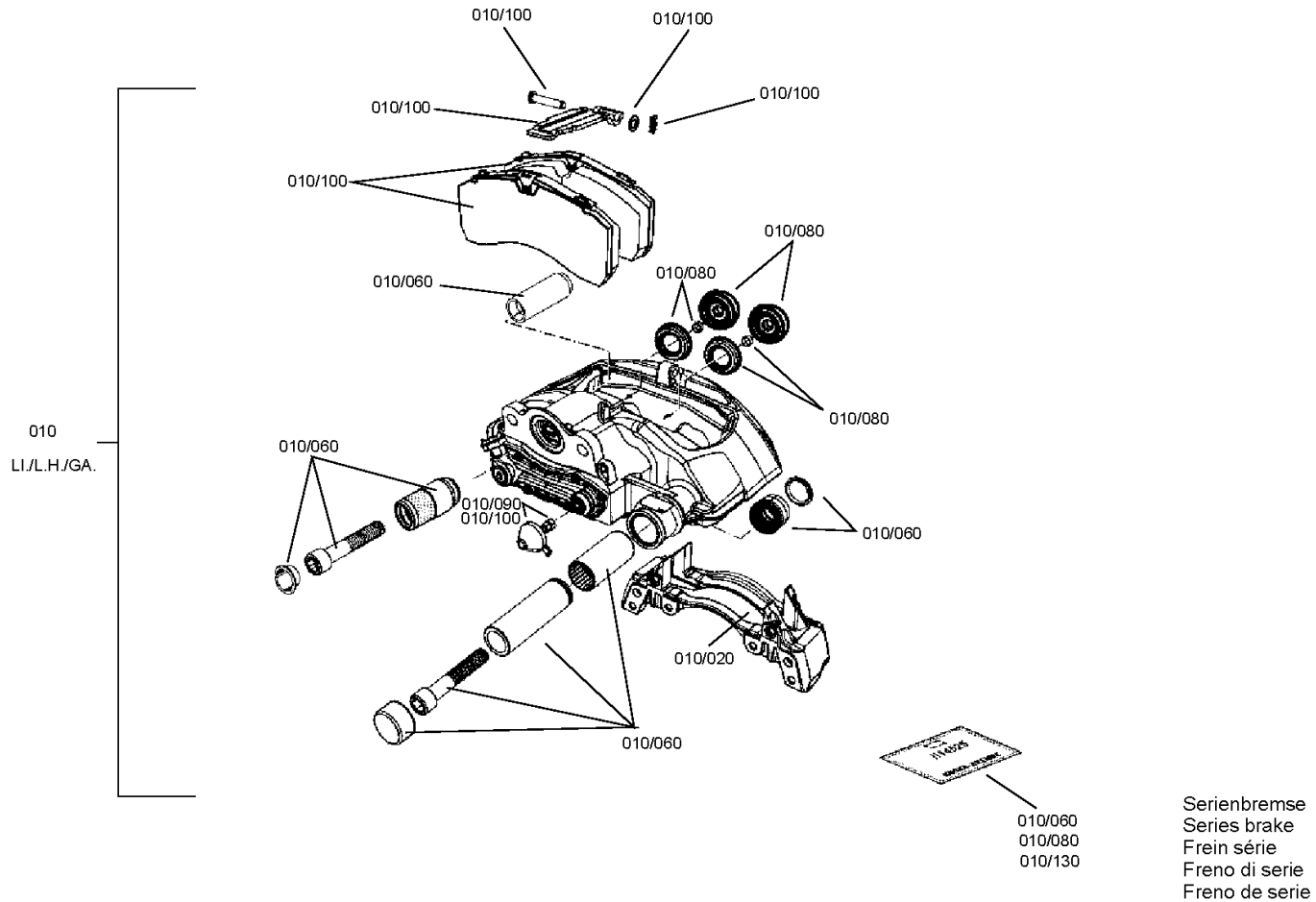
Material number: 4474.075.456

Picture: 446212328902

Material-assembly-group-no: 4462.123.289



RL 82 A /
BRAKE



Picture

Page 3 from 3

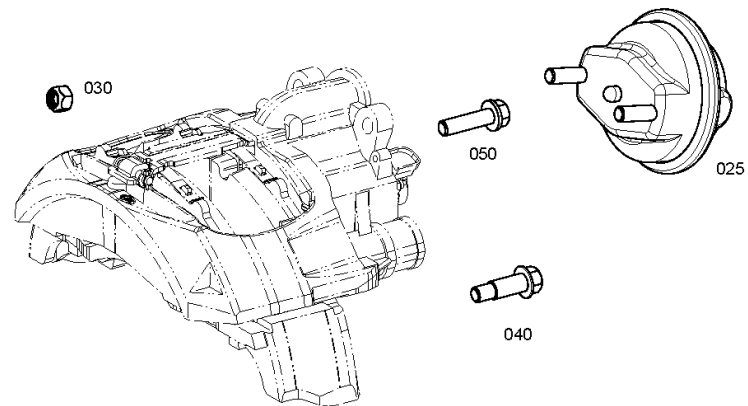
Material number: 4474.075.456

Picture: 446212328903

Material-assembly-group-no: 4462.123.289



RL 82 A /
BRAKE



Picture

Page 1 from 3

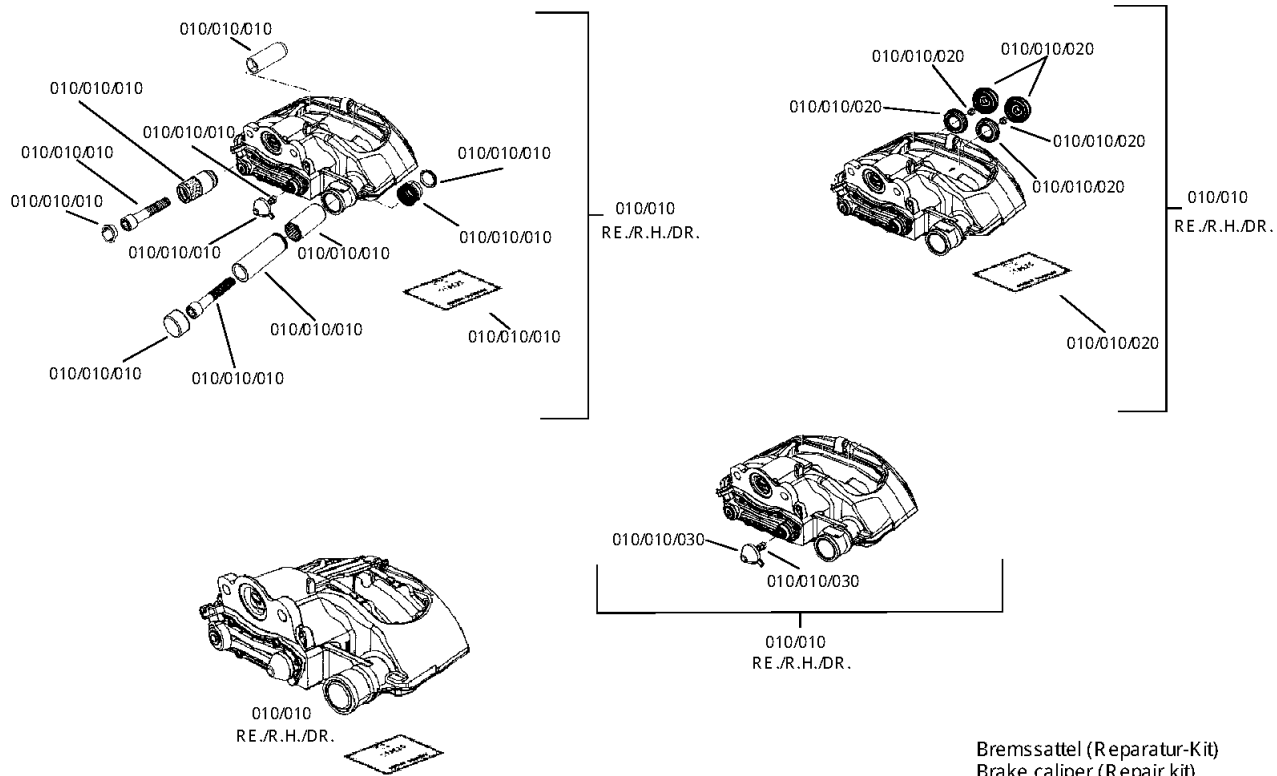
Material number: 4474.075.456

Picture: 446212329001

Material-assembly-group-no: 4462.123.290



RL 82 A /
BRAKE



Bremssattel (Reparatur-Kit)
Brake caliper (Repair kit)
S'trier de frein (kit de r'paration)
Pinza del freno (Kit di ripasazione)
Caliper de freno (Conj.de reparaci/fin)

Picture

Page 2 from 3

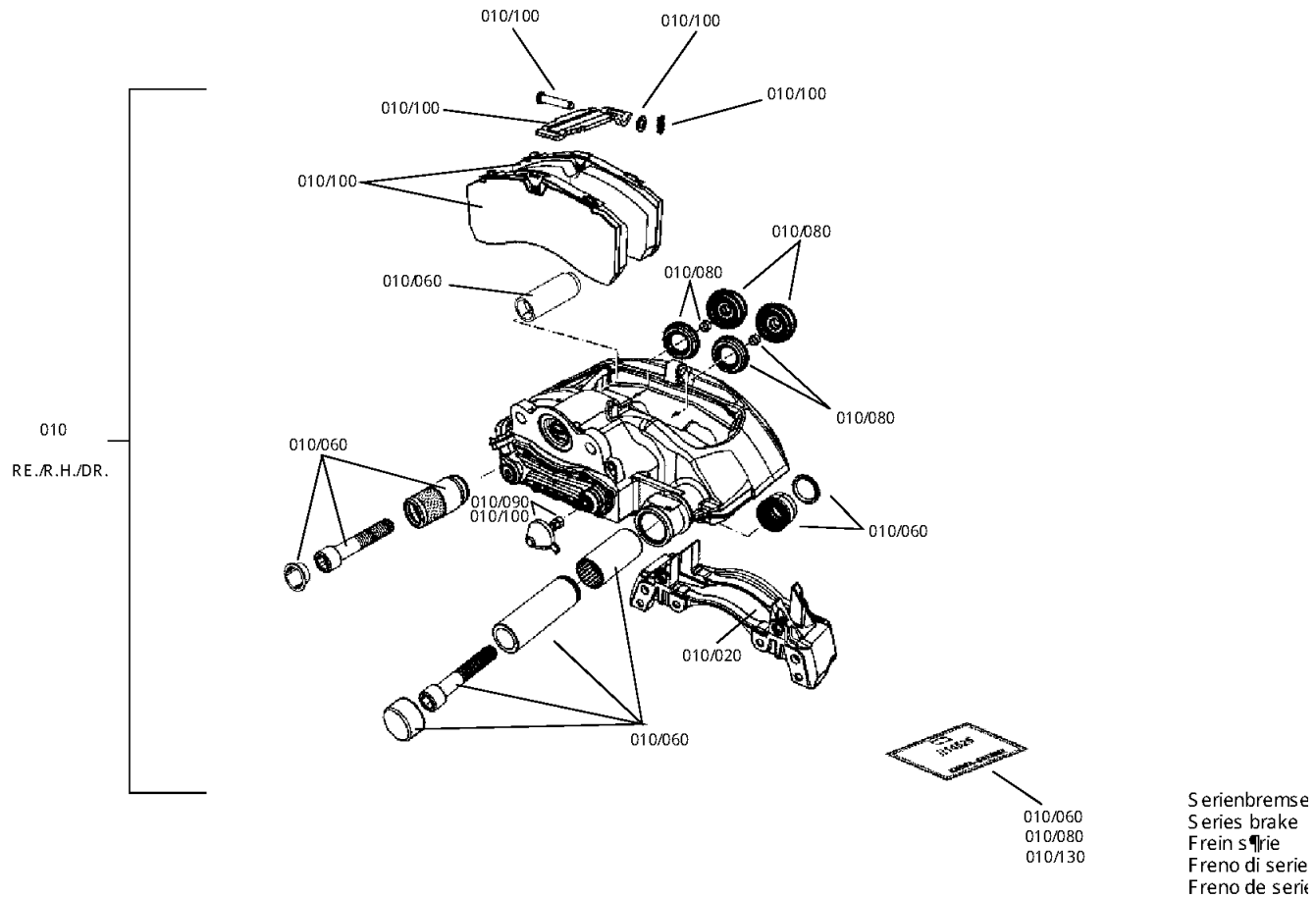
Material number: 4474.075.456

Picture: 446212329002

Material-assembly-group-no: 4462.123.290



RL 82 A /
BRAKE



Picture

Page 3 from 3

Material number: 4474.075.456

Picture: 446212329003

Material-assembly-group-no: 4462.123.290



RL 82 A /
BRAKE

