



# Spare Parts Catalog

RL 85 A

Material number: 4474.085.188

Current date: 30.05.2023

ZF Friedrichshafen AG  
Hauptverwaltung  
80038 Friedrichshafen  
Deutschland

Telefon: +49 7541 77-0

Telefax: +49 7541 77-908000

[www.zf.com](http://www.zf.com)

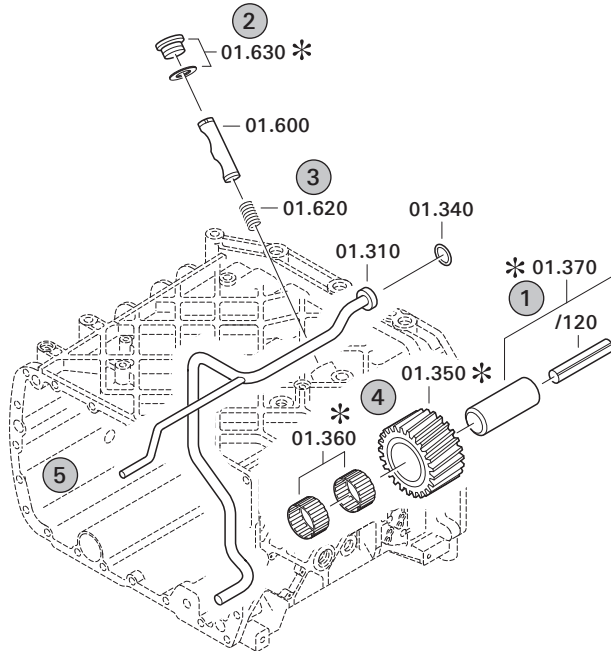
zuständiges Werk:  
Passau

# Notes relating to the spare parts catalog

## Setup of the spare parts catalog

- Cover sheet
- Technical Cover (only in SDM print)
- Overview of figures
- Figure
- Associated parts list
- Next figure
- Associated parts list
- ...

## Figure and parts list



## Overview of figures

Bildtafel Figure	Sachnummer Product number	Benennung (Description)	Technische Info Technical info	Description (Benennung)	Menge Quantity	Einheit Unit
068.08.17	1316.170.001	AUSLEGER	WL	SHIFT TURRET	1	Stk
068.08.06	1316.170.031	DECKEL	WL*H-H *VM	COVER	1	Stk
068.08.14	1316.170.808	DECKEL	WL*AUSL+GEH*H-H*HF160N	COVER	1	Stk
08	1316.170.441	ANSCHLUSSTEILE	WL*NG-VORB*RG-SCHL*168N *BAJONETT	CONNECTING PARTS	1	Stk

The "gap" indicates that there is no separate graphics panel (poster) for this assembly  
The parts of this assembly are shown with the same mid-section number on the figure

### 1 Positions and subpositions

Pos.	Sachnummer Product number	Benennung (Description)	Technische Info Technical info	Description (Benennung)	Menge Quantity	Einheit Unit
0370	1315.201.054	RUECKLAUFBOLZEN	KPL.16S151*SG*L= 79	REV.IDLER SHAFT	1	Stk
/0120	0631.329.293	SPANNSTIFT		SLOT. PIN	1	Stk

Positions marked with "/" are the individual items of a completion  
For example: Position 0370 contains a centering pin with the position /0120

### 2 Combinations with standardized parts

Pos.	Sachnummer Product number	Benennung (Description)	Technische Info Technical info	Description (Benennung)	Menge Quantity	Einheit Unit
0630		VERSCHL.SCHR.		SCREW PLUG	1	Stk
	0636.302.067	VERSCHL.SCHR.		SCREW PLUG	1	Stk
	0634.801.249	DICHTRING	A 26 X 31	SEALING RING	1	Stk

The parts list shows the components included in the combination of standardized parts

### 3 Depiction of position/item number on the figure and in the parts list

01.620 - on the figure      01 relates to the assembly in which the position is included. Due to program-related reasons, it is shown on the figure.

0620 - in the parts list

Pos.	Sachnummer Product number	Benennung (Description)	Technische Info Technical info	Description (Benennung)	Menge Quantity	Einheit Unit
0620	0732.040.736	DRUCKFEDER		COMPRESSION SPRING	1	Stk

### 4 \*-Positions

Positions marked with an \* are optional i.e. inclusion in the parts list is not mandatory.  
The following note is shown on the figure

je nach Stücklistenausführung  
depending on spec. number  
\*  
suivant la nomenclature  
secondo la distinta base

### 5 Parts, dotted display

Parts with dotted display on the figure are only used for orientation of other parts

# Technical Cover

Page 1 from 2

Material number: 4474.085.188



RL 85 A /

Pos.	Information	Amendment number
	KUNDE: KAMAZ	
	IDENT-NR:	
	TECHN.FRAGEBOGEN:	
	2007-132 P	
	PROJEKT-NR.:	
	FAHRZEUGDATEN:	
	VORDERACHSLAST LEER : ,,,TO	
	VORDERACHSLAST BELADEN: 6,42TO	
	BEREIFUNG: EINFACH	
	REIFEN: 275/80 R 22.5	
	FAHRZEUGMASSE: LEER:.....T	
	FAHRZEUGMASSE: BELADEN: 18T	
	RADBOLZEN 10XM22X1,5	
	FELGENTYP: 8.25"X22.5" /ET 152	
	FELGENLOCHKREIS: 335 MM	
	ENDGESCHWINDIGK.: 100 KM/H	
	ZAHL DER ACHSEN 2	
	RADSTAND: 5840MM	
	AGGREGATBESCHREIBUNG:	
	ACHSANORDNUNG: V-ACHSE	
	BREMSE:	
	SCHEIBENBREMSE: PNEUMATISCH MIT ABS	
	BELAG: TEXTAR T 7400	
	ZYLINDER: D=24" PNEUMATISCH	
	BREMSSATTEL: KNORR SN-7	
	MIT ELEKTR.VERSCHLEISS-ANZEIGE-SCHLEIFE	
	ZEICHNUNGEN:	
	SCHNITT: 4474 085 125(0)	
	EINBAU: 4474 685 074(0)	
	PRUEFANWEISUNG:	
	MONTAGEHINWEIS:	
	EINSTELLUNG: 2,0 - 5,0 NM LAGERROLLMOMENT O.DICHTUNG	
	FELGENANLAGEFLAECHE MIT ABDECKUNG 4474 385 100 VOR	

# Technical Cover

Page 2 from 2

Material number: 4474.085.188



RL 85 A /

Pos.	Information	Amendment number
	FARBE SCHUETZEN.	
	ABDECKUNG 4474 385 100 NACH DEM SPRITZEN ENTFERNEN	
	UND FELGENANLAGEFL.MIT GEEIGNETEM MITTEL (Z.B.ANTICORIT)	
	VOR KORROSION SCHUETZEN	
	FETTEINFUELLMENGE:	
	RADKOPF/JE:CA. 150 - 200 GRAMM	
	FETTFUELLUNG: JA	
	FETTSORTE: FUCHS RENOLIT 283 EP 2 ODER	
	VERGLEICHBARE QUALITAET	
	GESAMT-TROCKENMASSE: .....KG	
	FARBE: 5 TIEFSCHWARZ RAL 9005	
	VERPACKUNG: .....	
	AGGREGAT ENTH. DOKUMENTATIONSPFLICHTIGE TEILE	
	FARBFREIE UND KORROSIONSGESCHUETZTE FLAECHEEN SIEHE EBZ	

# Assembly group overview

Page 1 from 1

Material number: 4474.085.188



RL 85 A /

Picture	Pos.	Material number	Name	Quantity	Amend. no.	Techn. Info.
447411301400	60	4474.113.014	OUTPUT	1		
447411344600	70	4474.113.446	OUTPUT	1		
447411301400	62	4474.113.014	OUTPUT	1		
447411344600	72	4474.113.446	OUTPUT	1		
447410112200	80	4474.101.122	AXLE CASING	1		
447411404800	46	4474.114.048	JOINT HOUSING	1		
447411404900	50	4474.114.049	JOINT HOUSING	1		
446212295201	10	4462.122.952	BRAKE	1		
446212295301	20	4462.122.953	BRAKE	1		
447413400400	300	4474.134.004	SUSPENSION	1		
447429845500	KIT	4474.298.455	REPAIR KIT	2		

# Picture

Page 1 from 1

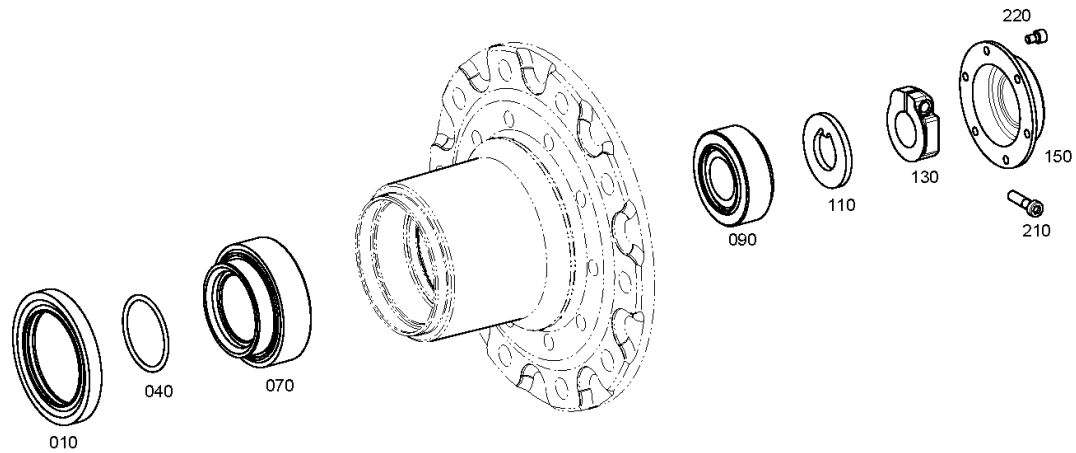
Material number: 4474.085.188

Picture: 447411301400

Material-assembly-group-no: 4474.113.014



RL 85 A /  
OUTPUT



# Picture

Page 1 from 1

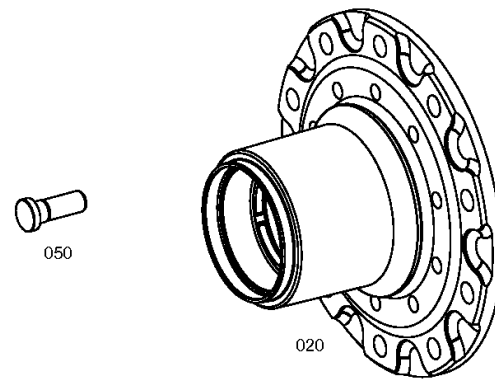
Material number: 4474.085.188

Picture: 447411344600

Material-assembly-group-no: 4474.113.446



RL 85 A /  
OUTPUT



# Picture

Page 1 from 1

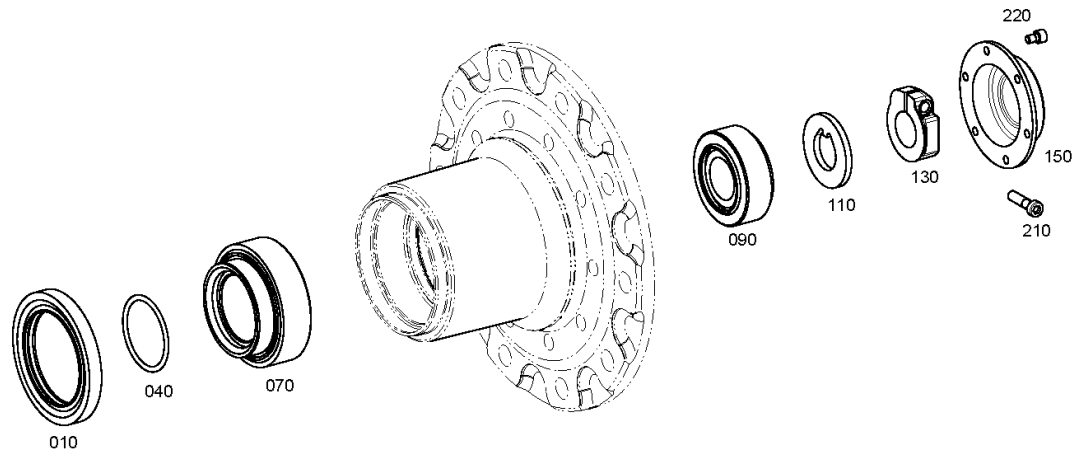
Material number: 4474.085.188

Picture: 447411301400

Material-assembly-group-no: 4474.113.014



RL 85 A /  
OUTPUT





# Picture

Page 1 from 1

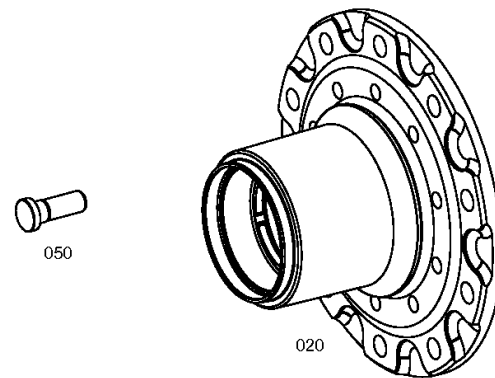
Material number: 4474.085.188

Picture: 447411344600

Material-assembly-group-no: 4474.113.446



RL 85 A /  
OUTPUT



# Picture

Page 1 from 1

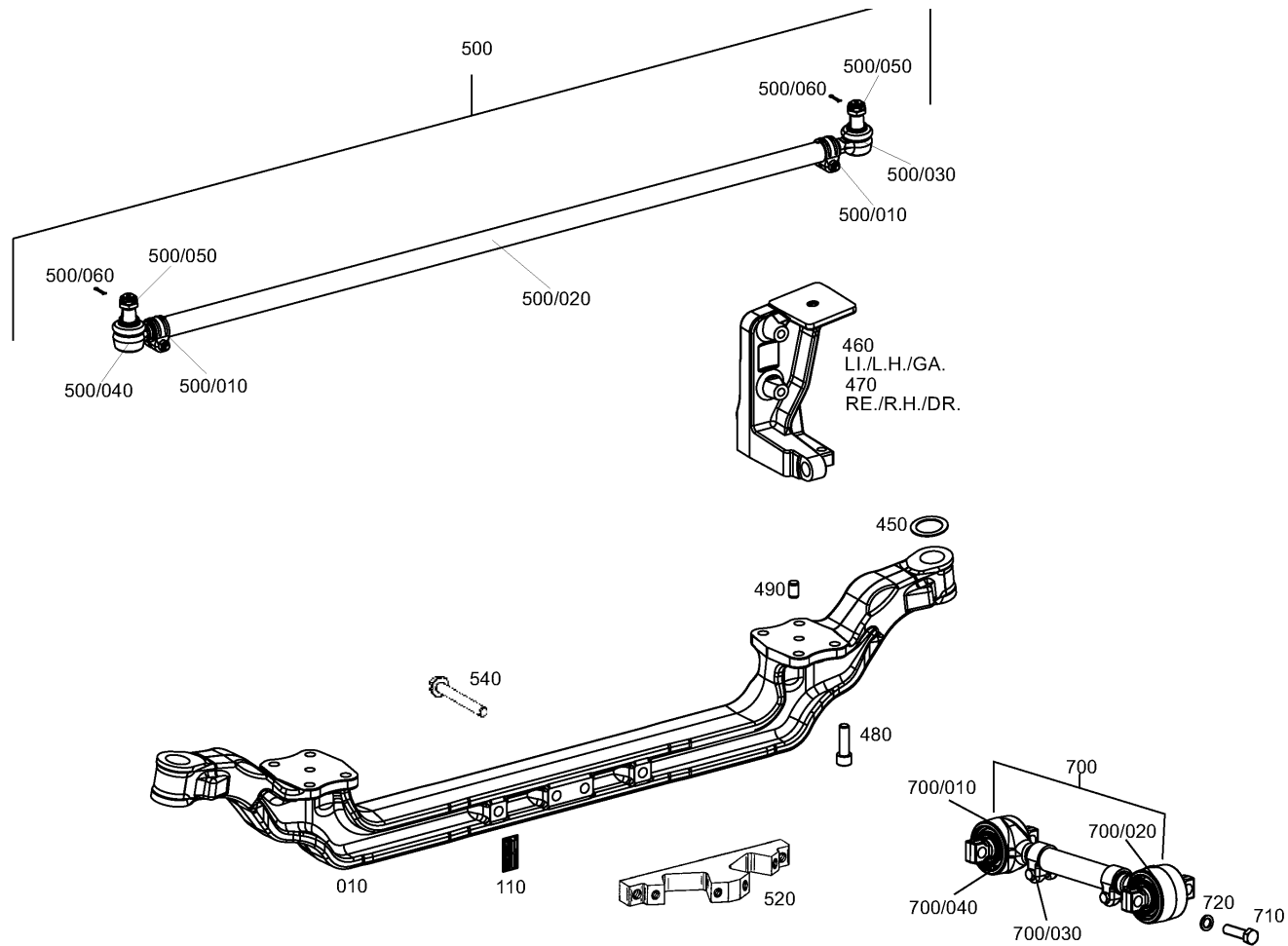
Material number: 4474.085.188

Picture: 447410112200

Material-assembly-group-no: 4474.101.122



RL 85 A /  
AXLE CASING



# Picture

Page 1 from 1

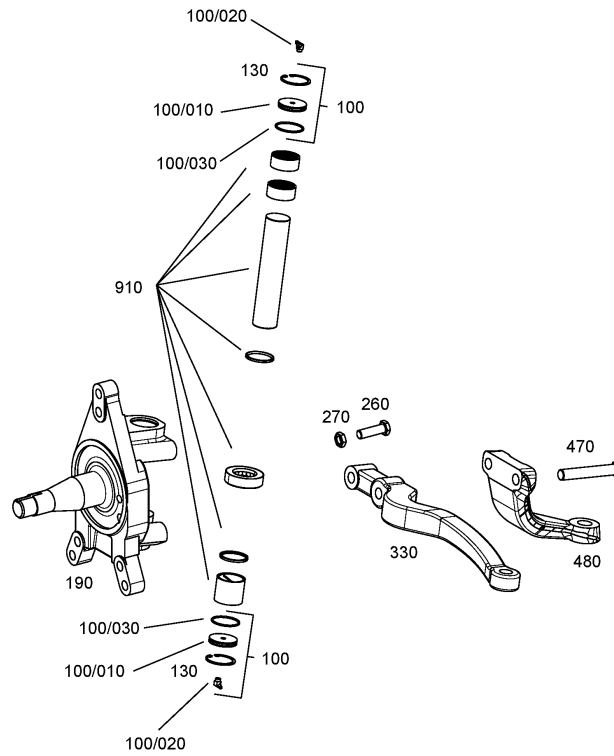
Material number: 4474.085.188

Picture: 447411404800

Material-assembly-group-no: 4474.114.048



RL 85 A /  
JOINT HOUSING



# Picture

Page 1 from 1

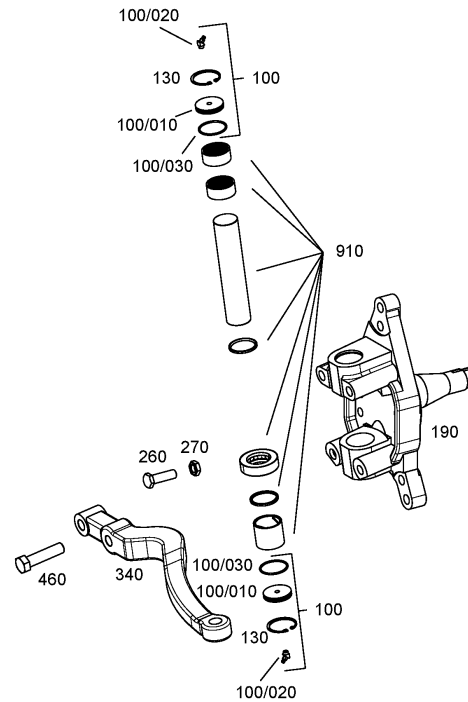
Material number: 4474.085.188

Picture: 447411404900

Material-assembly-group-no: 4474.114.049



RL 85 A /  
JOINT HOUSING



# Picture

Page 1 from 3

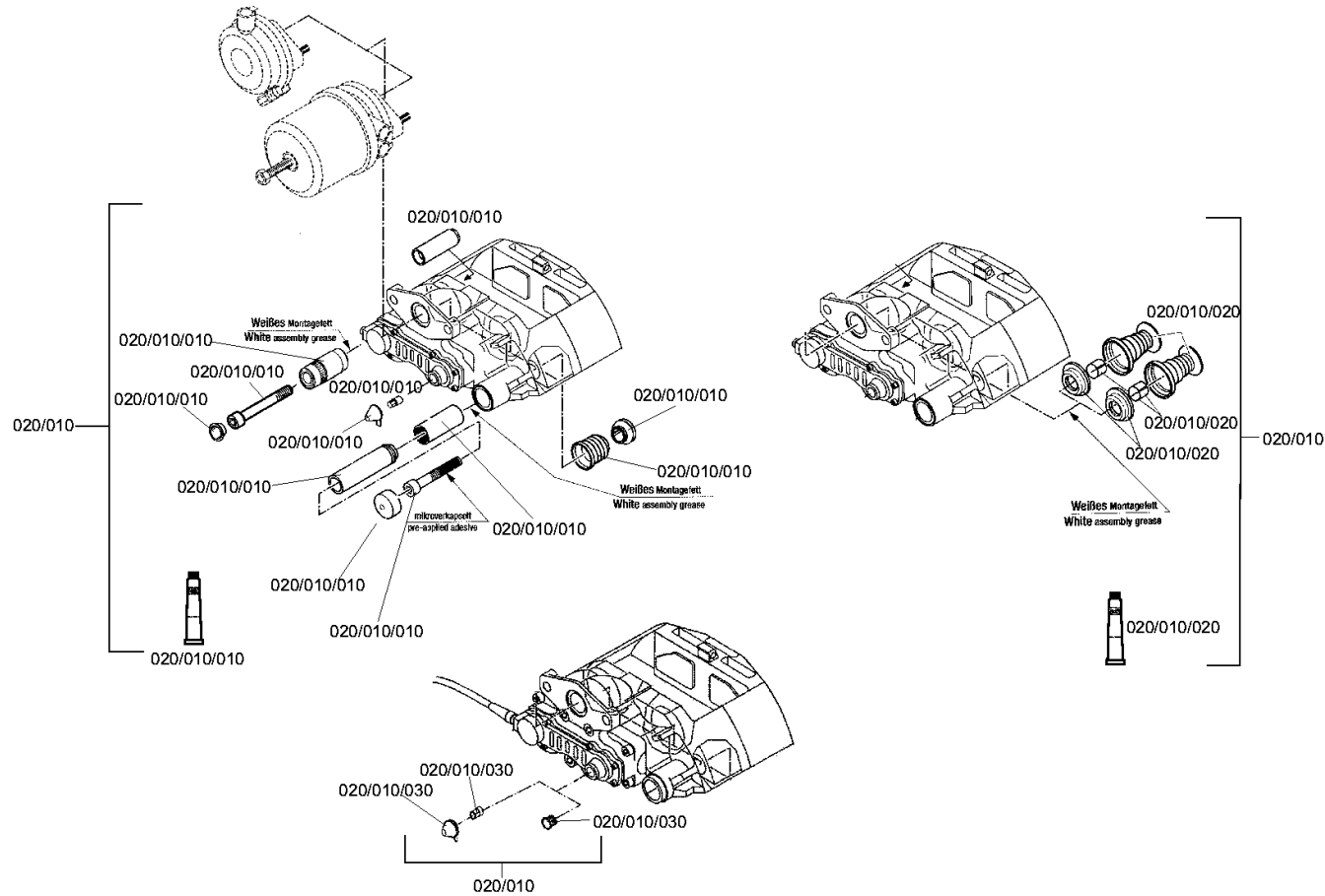
Material number: 4474.085.188

Picture: 446212295201

Material-assembly-group-no: 4462.122.952



RL 85 A /  
BRAKE



# Picture

Page 2 from 3

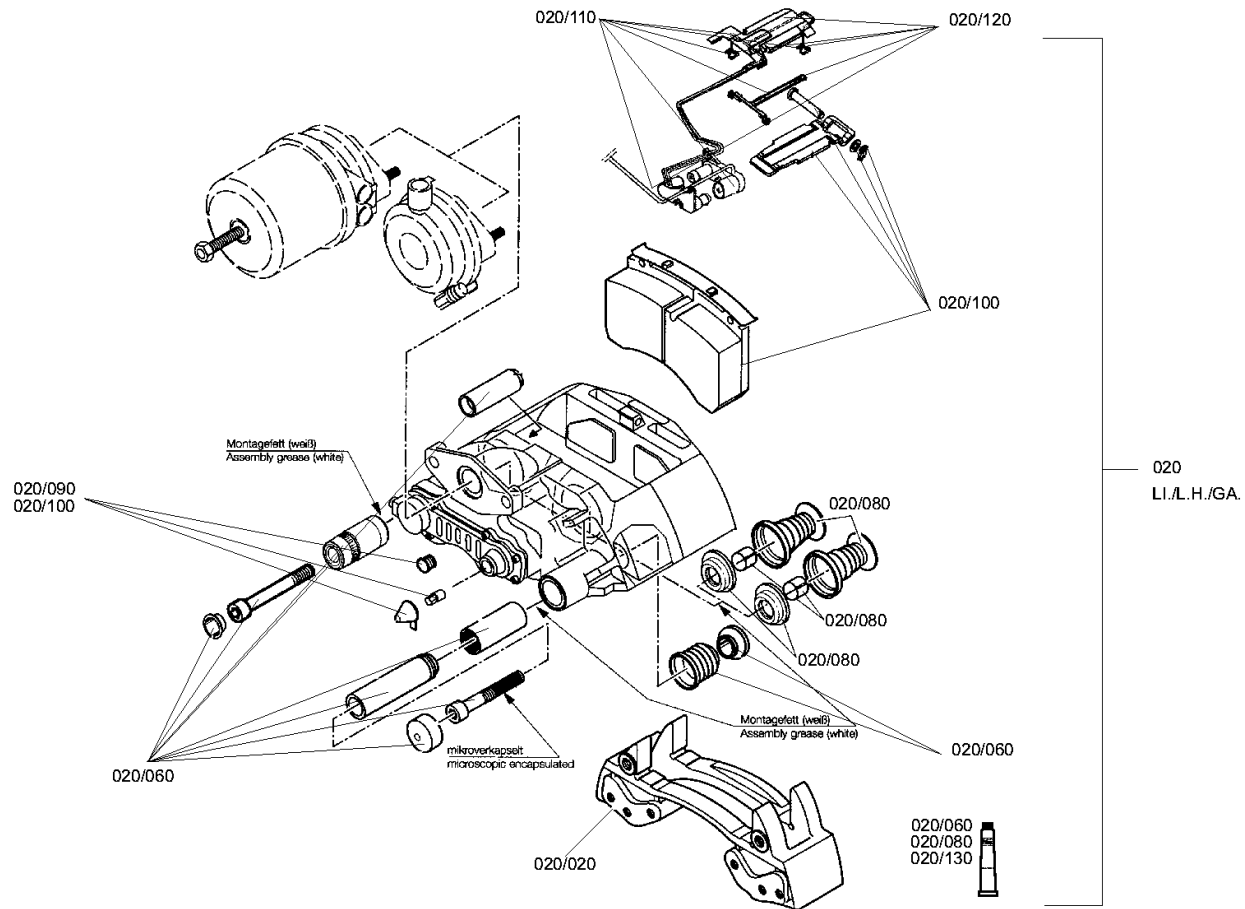
Material number: 4474.085.188

Picture: 446212295202

Material-assembly-group-no: 4462.122.952



RL 85 A /  
BRAKE



# Picture

Page 3 from 3

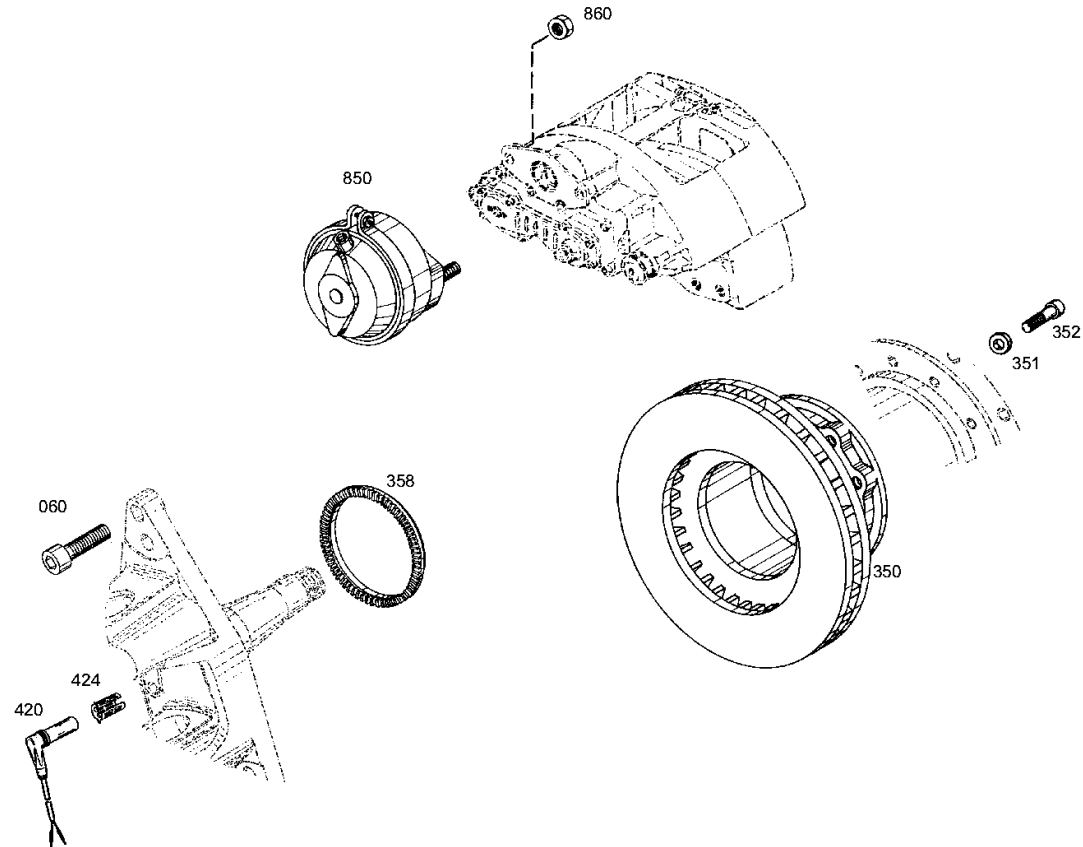
Material number: 4474.085.188

Picture: 446212295203

Material-assembly-group-no: 4462.122.952



RL 85 A /  
BRAKE



# Picture

Page 1 from 3

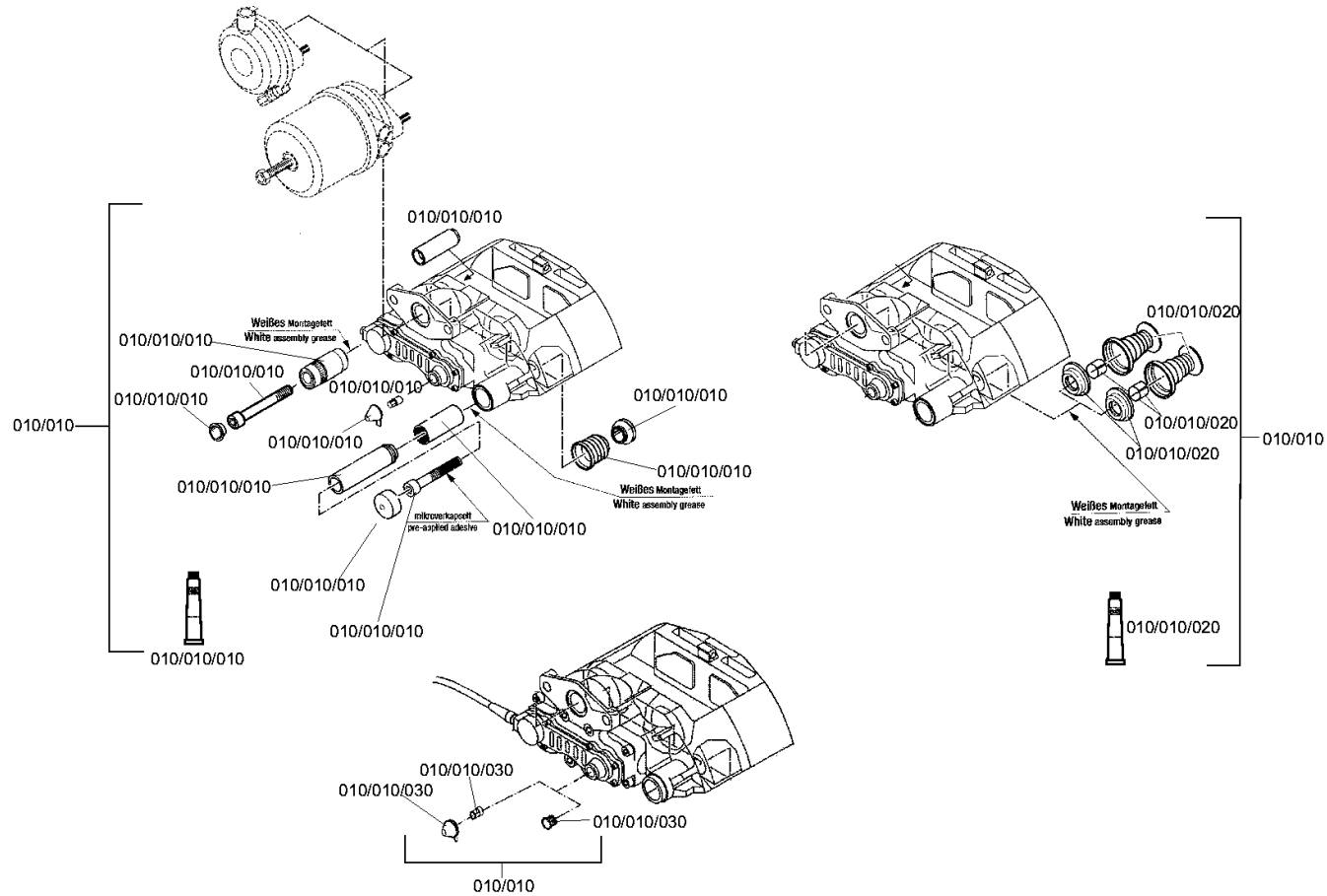
Material number: 4474.085.188

Picture: 446212295301

Material-assembly-group-no: 4462.122.953



RL 85 A /  
BRAKE





# Picture

Page 2 from 3

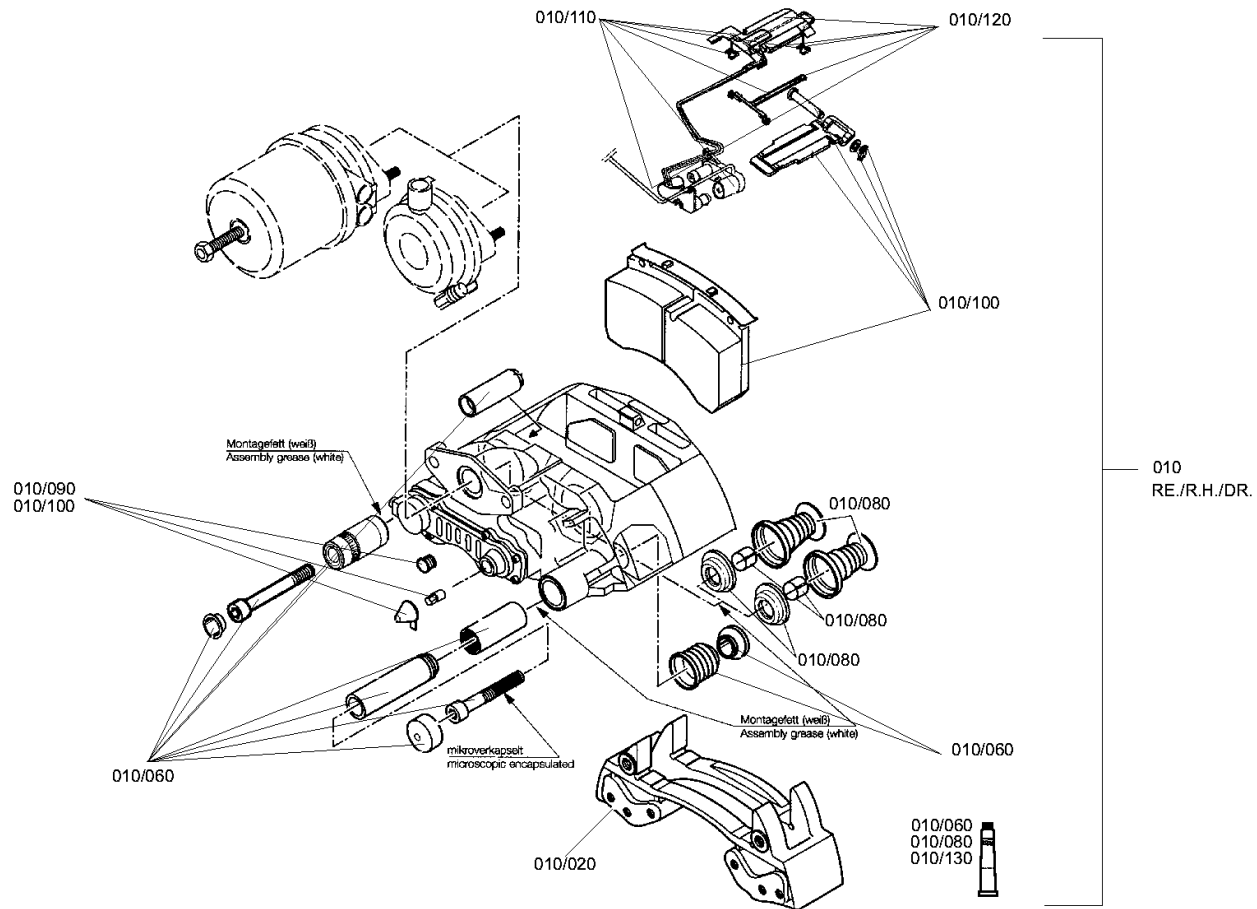
Material number: 4474.085.188

Picture: 446212295302

Material-assembly-group-no: 4462.122.953



RL 85 A /  
BRAKE



# Picture

Page 3 from 3

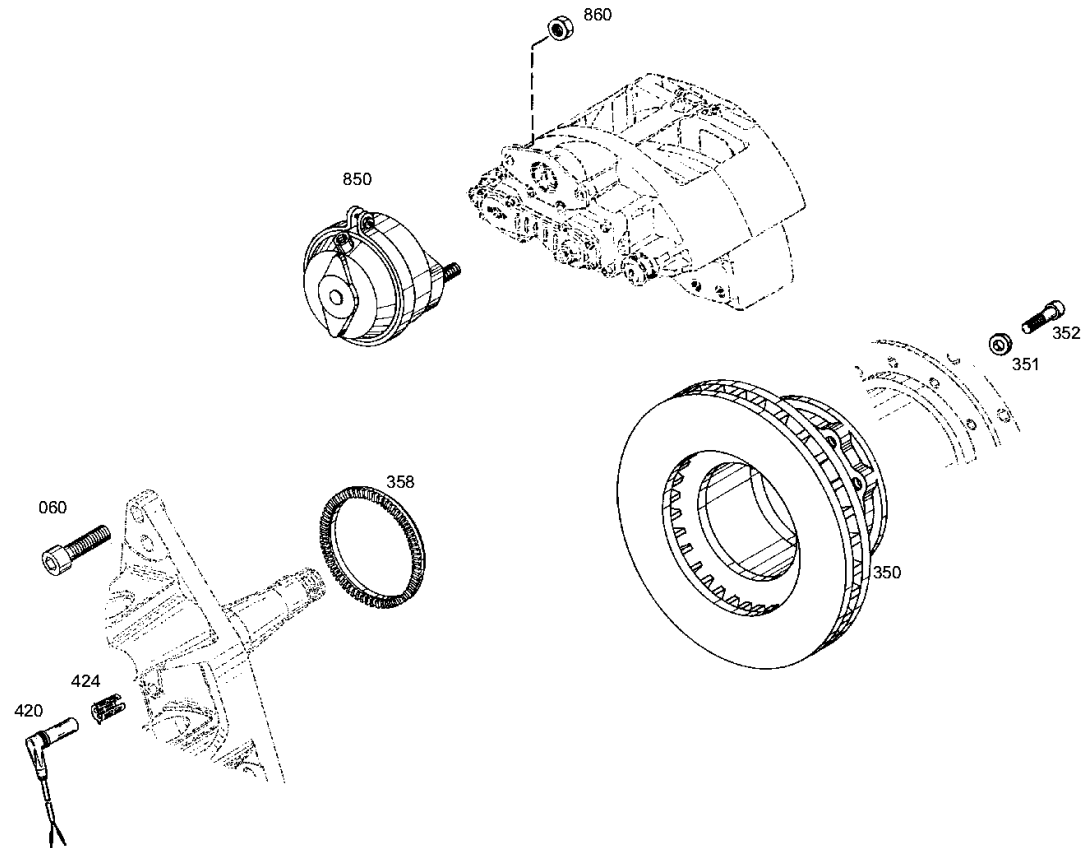
Material number: 4474.085.188

Picture: 446212295303

Material-assembly-group-no: 4462.122.953



RL 85 A /  
BRAKE



# Picture

Page 1 from 1

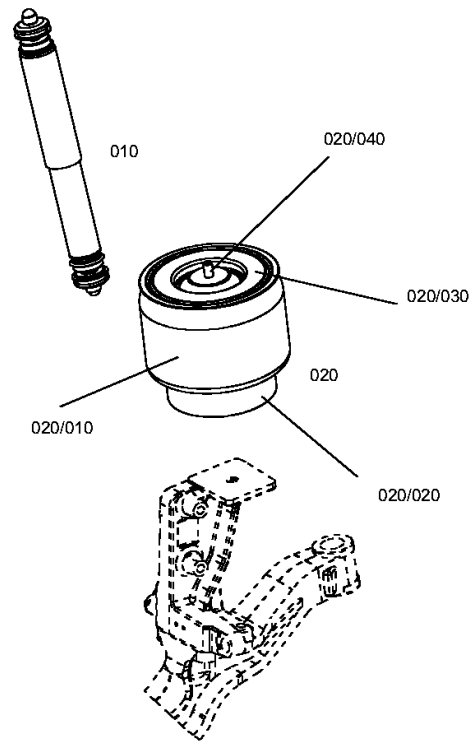
Material number: 4474.085.188

Picture: 447413400400

Material-assembly-group-no: 4474.134.004



RL 85 A /  
SUSPENSION



# Picture

Page 1 from 1

Material number: 4474.085.188

Picture: 447429845500

Material-assembly-group-no: 4474.298.455



RL 85 A /  
REPAIR KIT

