



# Spare Parts Catalog

MS-B 3025

Hyundai Motor Company

Material number: 4475.004.099

Current date: 10.10.2012

ZF Friedrichshafen AG  
Hauptverwaltung  
80038 Friedrichshafen  
Deutschland

Telefon: +49 7541 77-0

Telefax: +49 7541 77-908000

[www.zf.com](http://www.zf.com)

zuständiges Werk:  
Passau

# Notes relating to the spare parts catalog

## Setup of the spare parts catalog

- Cover sheet
- Technical Cover (only in SDM print)
- Overview of figures
- Figure
- Associated parts list
- Next figure
- Associated parts list
- ...

## Figure and parts list



## Overview of figures

Bildtafel Figure	Sachnummer Product number	Benennung (Description)	Technische Info Technical info	Description (Benennung)	Menge Quantity	Einheit Unit
068.08.17	1316.170.001	AUSLEGER	WL	SHIFT TURRET	1	Stk
068.08.06	1316.170.031	DECKEL	WL*H-H *VM	COVER	1	Stk
068.08.14	1316.170.808	DECKEL	WL*AUSL+GEH*H-H*HF160N	COVER	1	Stk
08	1316.170.441	ANSCHLUSSTEILE	WL*NG-VORB*RG-SCHL*168N *BAJONETT	CONNECTING PARTS	1	Stk

The "gap" indicates that there is no separate graphics panel (poster) for this assembly  
The parts of this assembly are shown with the same mid-section number on the figure

### 1 Positions and subpositions

Pos.	Sachnummer Product number	Benennung (Description)	Technische Info Technical info	Description (Benennung)	Menge Quantity	Einheit Unit
0370	1315.201.054	RUECKLAUFBOLZEN	KPL.16S151*SG*L= 79	REV.IDLER SHAFT	1	Stk
/0120	0631.329.293	SPANNSTIFT		SLOT. PIN	1	Stk

Positions marked with "/" are the individual items of a completion  
For example: Position 0370 contains a centering pin with the position /0120

### 2 Combinations with standardized parts

Pos.	Sachnummer Product number	Benennung (Description)	Technische Info Technical info	Description (Benennung)	Menge Quantity	Einheit Unit
0630		VERSCHL.SCHR.		SCREW PLUG	1	Stk
	0636.302.067	VERSCHL.SCHR.		SCREW PLUG	1	Stk
	0634.801.249	DICHTRING	A 26 X 31	SEALING RING	1	Stk

The parts list shows the components included in the combination of standardized parts

### 3 Depiction of position/item number on the figure and in the parts list

01.620 - on the figure      01 relates to the assembly in which the position is included. Due to program-related reasons, it is shown on the figure.

0620 - in the parts list

Pos.	Sachnummer Product number	Benennung (Description)	Technische Info Technical info	Description (Benennung)	Menge Quantity	Einheit Unit
0620	0732.040.736	DRUCKFEDER		COMPRESSION SPRING	1	Stk

### 4 \*-Positions

Positions marked with an \* are optional i.e. inclusion in the parts list is not mandatory.  
The following note is shown on the figure

je nach Stücklistenausführung  
depending on spec. number  
\*  
suivant la nomenclature  
secondo la distinta base

### 5 Parts, dotted display

Parts with dotted display on the figure are only used for orientation of other parts



Pos.	Information	Amendment number
	CUSTOMER: HYUNDAI	
	CUSTOMER-IDENT-NO.: 81U2-10010	
	VEHICLE DESIGNATION: BH90 / BH100	
	TYRE SIZE: 12, /80-18	
	TYRE RADIUS DYN.: 0,465 M	
	MAX. SPEED: 38,00 KM/H	
	PRODUCT DESCRIPTION: ZF- MULTISTEER- AXLE	
	VEHICLE TYPE: BACKHOE LOADER	
	AXLE TYPE: MS-B 3025	
	PRODUCTION LOCATION: ZF STANKOV	
	VERSION: STEERABLE	
	AXLE ARRANGEMENT: FRONT AXLE	
	DIRECTION OF ROTATION: CW	
	CROWN WHEEL POSITION: LEFT	
	SPIRAL DIRECTION: RIGHT	
	INSTALL.AXLE INPUT: INPUT FLANGE	
	INPUT FLANGE: DS 1410	
	FLANGE TO FLANGE DIM.: 1.776 MM	
	AXLE INSTALLATION: ABOVE CENTER PIVOT	
	MOUNTING DIMENSIONS: 120X314/D=45,09	
	MAIN DIFFERENTIAL: OPEN	
	LOCKING RATIO: WITHOUT	
	AXLE RATIO: 14,760	
	STEERING CYLINDER SIZE: 65 X 40	
	STEER. ANGLE SENSOR: WITHOUT	
	STEERING VERSION: STANDARD (HIGH PRESURE)	
	MAX STEERING ANGLE: 48 GRAD	
	PORT SIZE: 9/16 - 18 UNF 2B	
	PLANETARY DRIVE: P3, I=7,125	
	BRAKE : WITHOUT	
	RIM PITCH CIRCLE DIAM.: 275,00 MM	
	WHEEL CONNECTION: BOLT 8 X M22 X 1,5 X 41	
	WHEEL NUTS: WITHOUT	



Pos.	Information	Amendment number
	OIL FILLING AXLE DRIVE: WITH	
	OIL - GRADE AXLE DRIVE: TE ML 05	
	WITH OR WITHOUT PAINTING PRIMING	
	PRIMER PAINT: YELLOW RAL 1006	
	PAINT-FREE AREA: STANDARD BACKHOE LOADER	
	TYPE PLATE: ZF- STANKOV STANDARD	
	AXLE BREATHER: NOT REQUIRED	
	PLANETARY DRIVE OIL CAPACITY: 0,80 L	
	AXLE HOUSING OIL CAPACITY: 6,30 L	
	OIL FILL QUANTITY CA: 7,90 L	
	DOCUMENTATION: -----	
	SECTION DRAWING: 4475 004 091	
	INSTALLATION DRAWING: 4475 604 047	
	INSTALLATION INSTRUCTION: 4475 700 081	
	TESTING INSTRUCTION: 4475 760 028	

# Assembly group overview

Page 1 from 1



Material number: 4475.004.099

MS-B 3025 / Hyundai Motor Company

Graphics	Pos.	Material number	Name	Quantity	Amend. no.	Techn. Info.
447510220400	10	4475.102.204	INPUT	1		
447510246800	20	4475.102.468	INPUT	1		
448202000100	30	4482.020.001	DIFFERENTIAL 250	1		
447510120700	70	4475.101.207	AXLE CASING	1		
447510160700	80	4475.101.607	AXLE CASING	1		
447510316100	90	4475.103.161	JOINT HOUSING	1		
447510347200	100	4475.103.472	JOINT HOUSING	1		
447510409700	110	4475.104.097	PLANETARY DRIVE	1		
447510508500	120	4475.105.085	STEERING	1		

# Plant

Page 1 from 1

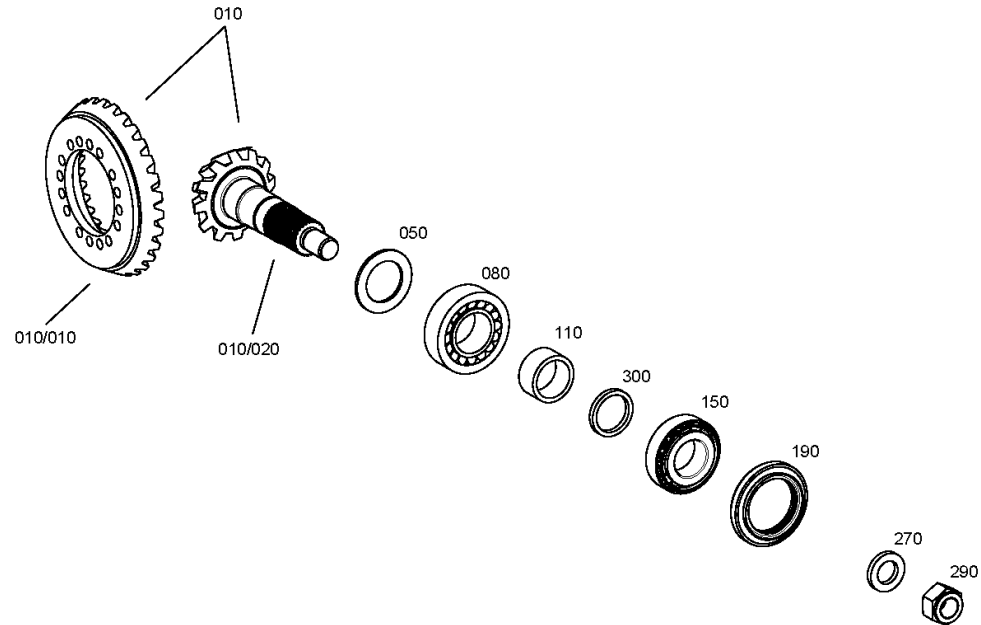
Material number: 4475.004.099

Plant: 447510220400

Material-assembly-group-no: 4475.102.204



MS-B 3025 / Hyundai Motor Company  
INPUT



# Plant

Page 1 from 1

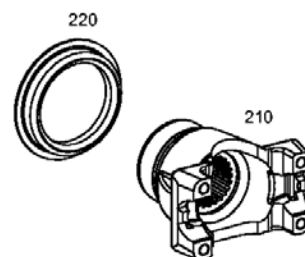
Material number: 4475.004.099

Plant: 447510246800

Material-assembly-group-no: 4475.102.468



MS-B 3025 / Hyundai Motor Company  
INPUT



# Plant

Page 1 from 1

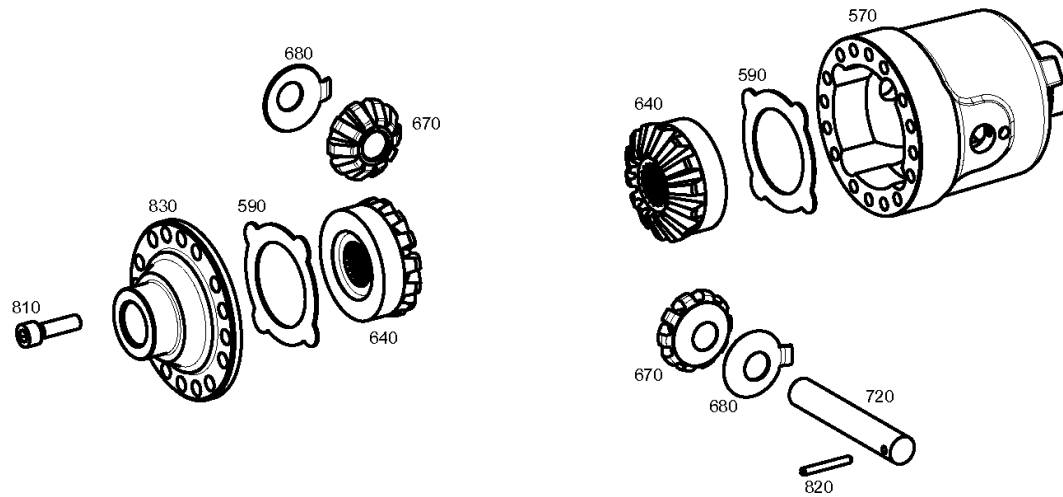
Material number: 4475.004.099

Plant: 448202000100

Material-assembly-group-no: 4482.020.001



MS-B 3025 / Hyundai Motor Company  
DIFFERENTIAL 250





# Plant

Page 1 from 1

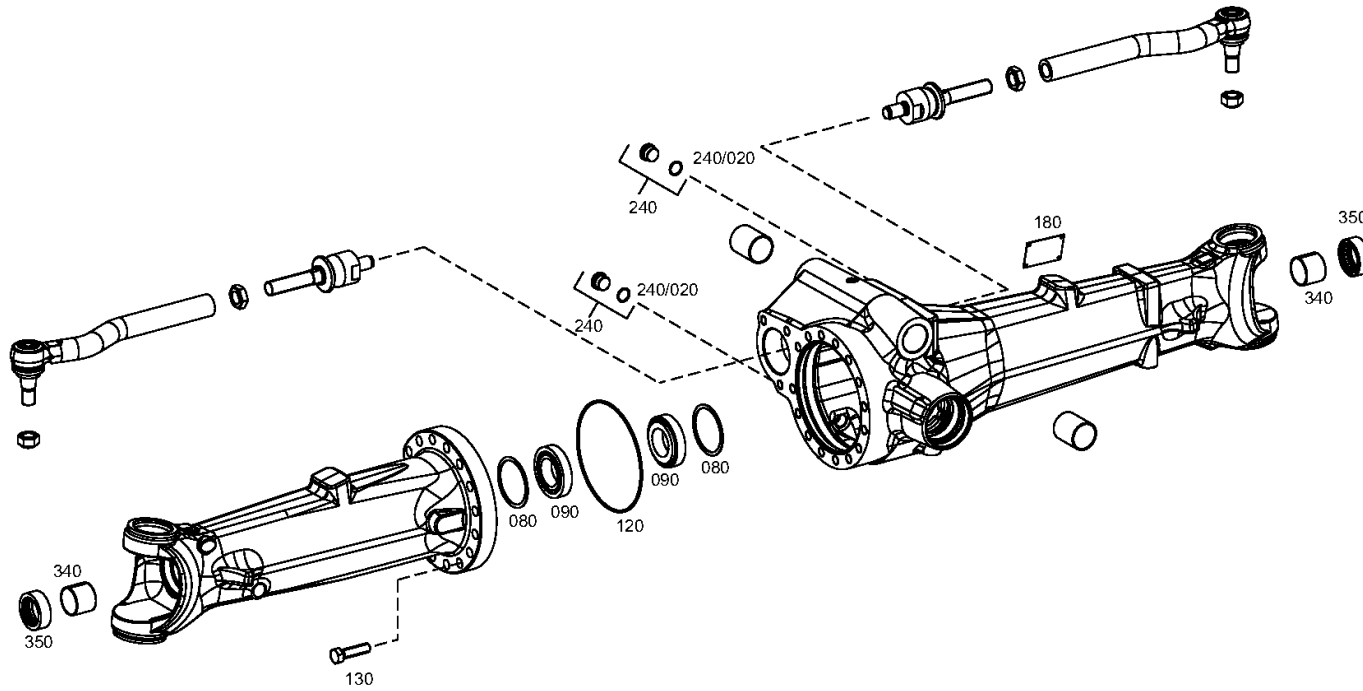
Material number: 4475.004.099

Plant: 447510120700

Material-assembly-group-no: 4475.101.207



MS-B 3025 / Hyundai Motor Company  
AXLE CASING



# Plant

Page 1 from 1

Material number: 4475.004.099

Plant: 447510160700

Material-assembly-group-no: 4475.101.607



MS-B 3025 / Hyundai Motor Company  
AXLE CASING

**There is presently no plate available for this parts list/ assembly.**

# Plant

Page 1 from 1

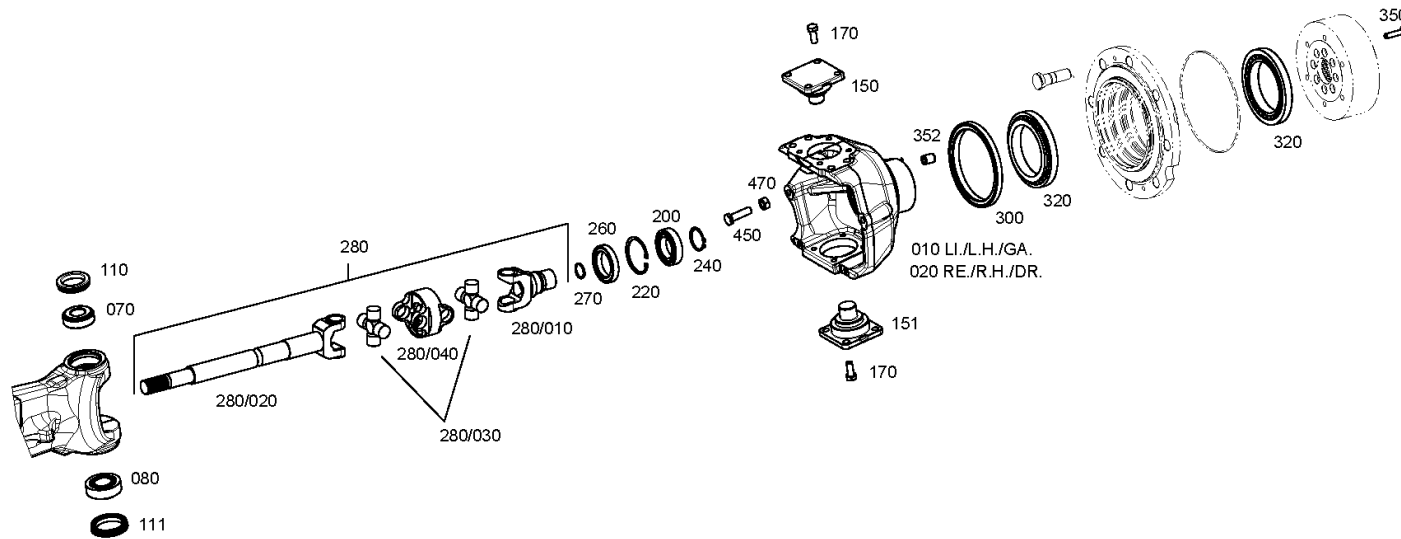
Material number: 4475.004.099

Plant: 447510316100

Material-assembly-group-no: 4475.103.161



MS-B 3025 / Hyundai Motor Company  
JOINT HOUSING



# Plant

Page 1 from 1

Material number: 4475.004.099

Plant: 447510347200

Material-assembly-group-no: 4475.103.472



MS-B 3025 / Hyundai Motor Company  
JOINT HOUSING

**There is presently no plate available for this parts list/ assembly.**

# Plant

Page 1 from 1

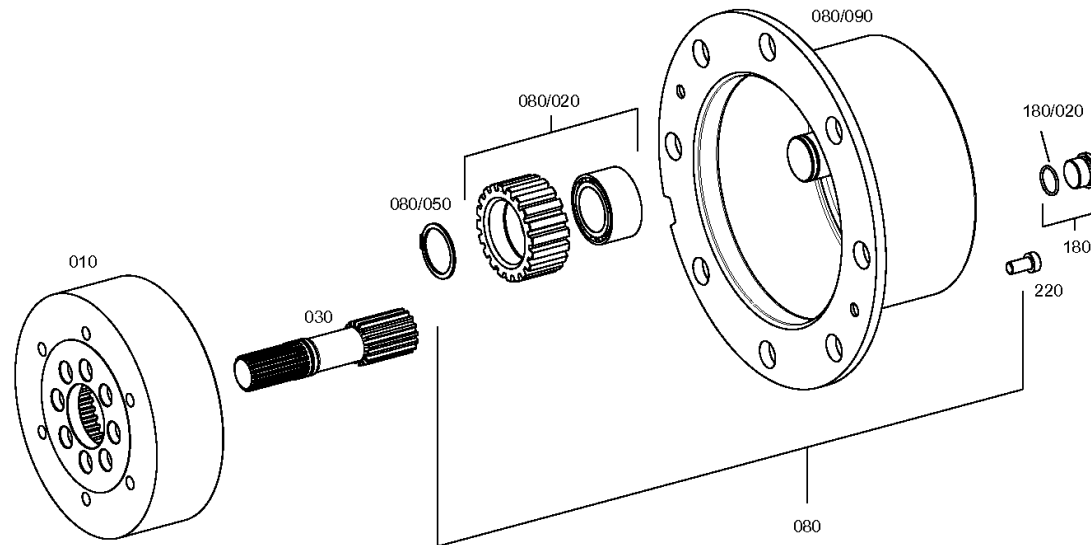
Material number: 4475.004.099

Plant: 447510409700

Material-assembly-group-no: 4475.104.097



MS-B 3025 / Hyundai Motor Company  
PLANETARY DRIVE



# Plant

Page 1 from 1

Material number: 4475.004.099

Plant: 447510508500

Material-assembly-group-no: 4475.105.085



MS-B 3025 / Hyundai Motor Company  
STEERING

