



Spare Parts Catalog

MT-C 3075

Material number: 4475.019.100

Current date: 30.06.2022

ZF Friedrichshafen AG
Hauptverwaltung
80038 Friedrichshafen
Deutschland

Telefon: +49 7541 77-0

Telefax: +49 7541 77-908000

www.zf.com

zuständiges Werk:
Passau

Notes relating to the spare parts catalog

Setup of the spare parts catalog

- Cover sheet
- Technical Cover (only in SDM print)
- Overview of figures
- Figure
- Associated parts list
- Next figure
- Associated parts list
- ...

Figure and parts list



Overview of figures

Bildtafel Figure	Sachnummer Product number	Benennung (Description)	Technische Info Technical info	Description (Benennung)	Menge Quantity	Einheit Unit
068.08.17	1316.170.001	AUSLEGER	WL	SHIFT TURRET	1	Stk
068.08.06	1316.170.031	DECKEL	WL*H-H *VM	COVER	1	Stk
068.08.14	1316.170.808	DECKEL	WL*AUSL+GEH*H-H*HF160N	COVER	1	Stk
08	1316.170.441	ANSCHLUSSTEILE	WL*NG-VORB*RG-SCHL*168N *BAJONETT	CONNECTING PARTS	1	Stk

The "gap" indicates that there is no separate graphics panel (poster) for this assembly
The parts of this assembly are shown with the same mid-section number on the figure

1 Positions and subpositions

Pos.	Sachnummer Product number	Benennung (Description)	Technische Info Technical info	Description (Benennung)	Menge Quantity	Einheit Unit
0370	1315.201.054	RUECKLAUFBOLZEN	KPL.16S151*SG*L= 79	REV.IDLER SHAFT	1	Stk
/0120	0631.329.293	SPANNSTIFT		SLOT. PIN	1	Stk

Positions marked with "/" are the individual items of a completion
For example: Position 0370 contains a centering pin with the position /0120

2 Combinations with standardized parts

Pos.	Sachnummer Product number	Benennung (Description)	Technische Info Technical info	Description (Benennung)	Menge Quantity	Einheit Unit
0630		VERSCHL.SCHR.		SCREW PLUG	1	Stk
	0636.302.067	VERSCHL.SCHR.		SCREW PLUG	1	Stk
	0634.801.249	DICHTRING	A 26 X 31	SEALING RING	1	Stk

The parts list shows the components included in the combination of standardized parts

3 Depiction of position/item number on the figure and in the parts list

01.620 - on the figure 01 relates to the assembly in which the position is included. Due to program-related reasons, it is shown on the figure.

0620 - in the parts list

Pos.	Sachnummer Product number	Benennung (Description)	Technische Info Technical info	Description (Benennung)	Menge Quantity	Einheit Unit
0620	0732.040.736	DRUCKFEDER		COMPRESSION SPRING	1	Stk

4 *-Positions

Positions marked with an * are optional i.e. inclusion in the parts list is not mandatory.
The following note is shown on the figure

je nach Stücklistenausführung
depending on spec. number
*
suivant la nomenclature
secondo la distinta base

5 Parts, dotted display

Parts with dotted display on the figure are only used for orientation of other parts

Technical Cover

Page 1 from 2

Material number: 4475.019.100



MT-C 3075 /

Pos.	Information	Amendment number
	CUSTOMER:	
	IDENT-NO.: WITHOUT	
	QUESTIONNAIRE:	
	PROJECT-NO.:	
	VEHICLE DATA:	
	ENGINE POWER: P=198 KW / 102 KW	
	TYRES: SINGLE	
	RIM PITCH CIRCLE DIA: 203,2 MM	
	MAX.SPEED: 16,0 KM/H	
	PRODUCT DESCRIPTION:	
	AXLE ARRANGEMENT: REAR AXLE	
	RATIO TOTAL: I=46,63	
	PLANETARY DRIVE:I=6,40 P3-245-52	
	BEVELGEAR SET: I= 7,29 T=51/7	
	FIXING: SPRING DETENT L= 892/994	
	FLANGE DISTANCE: L=1593	
	BRAKE:	
	MULTI DISC BRAKE:HYDR. 232X154X3	
	AIR PRESSURE: MIN.:12BAR MAX:25 BAR	
	LINING DISC: 3 PIECES	
	INPUT:	
	TYPE:	
	SENS OF ROTATION:COUNTER CLOCKWISE	
	RING GEAR: SPIRAL DIRECTION RIGHT	
	FLANGE POSITION: HYPOID DRIVE	
	TYPE: NO-SPIN	
	BEVEL SIDE GEAR SPLINE: N 42X1,25	
	DRAWINGS:	
	SECT.DRAWING: 4475 019 104(0)	
	EINBAU: 4475 619 007	
	TEST SPECIFICATION: 4475 760 007()	
	OIL CAPACITY:	
	TOTAL: CA. 15,00L	

Technical Cover

Page 2 from 2

Material number: 4475.019.100



MT-C 3075 /

Pos.	Information	Amendment number
	OIL FILLING: YES	
	OIL SPECIFICATION: TE-ML05	
	WEIGHT TOTAL: 486KG	
	COLOUR: 5 BLACK RAL 9005	
	*	

Assembly group overview

Page 1 from 1

Material number: 4475.019.100



MT-C 3075 /

Picture	Pos.	Material number	Name	Quantity	Amend. no.	Techn. Info.
447510210600	10	4475.102.106	INPUT	1		
446110100100	300	4461.101.052	DIFFERENTIAL	1		
447510102101	70	4475.101.085	AXLE CASING	1		
447510102102	80	4475.101.523	AXLE CASING	1		
447510602500	40	4475.106.061	MULTIDISK BRAKE	1		
447512000800	130	4475.120.008	OUTPUT	1		
	KIT	4475.298.111	PLANETARY GEAR	1		

Picture

Page 1 from 1

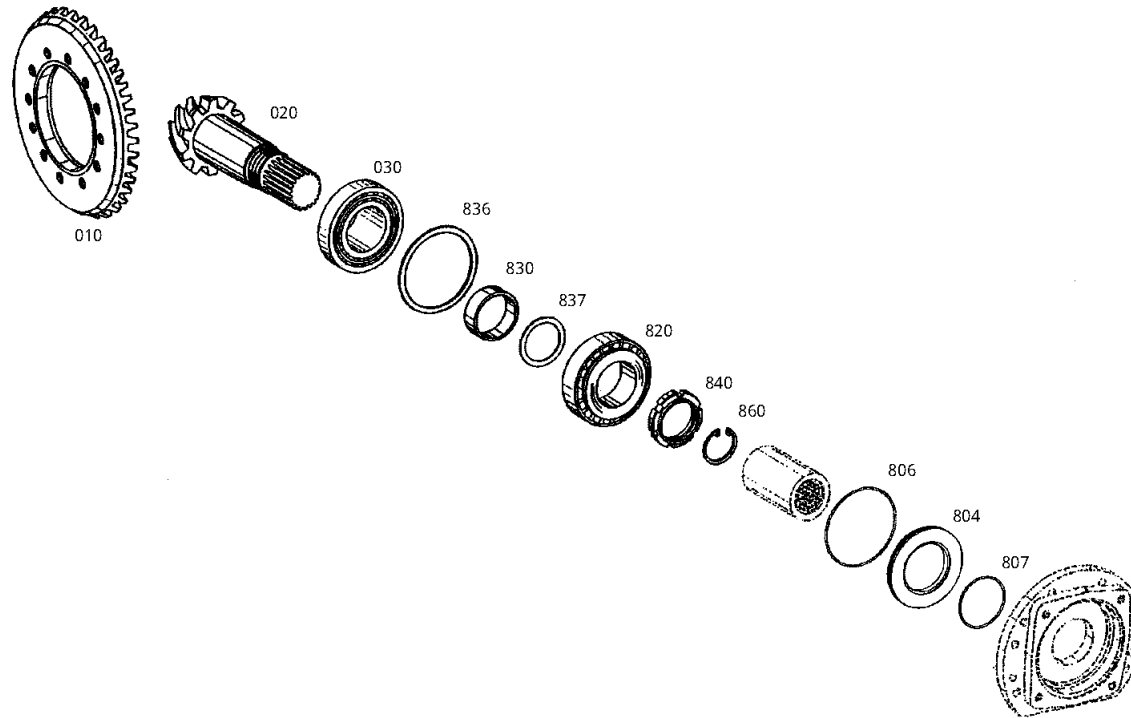
Material number: 4475.019.100

Picture: 447510210600

Material-assembly-group-no: 4475.102.106



MT-C 3075 /
INPUT



Picture

Page 1 from 1

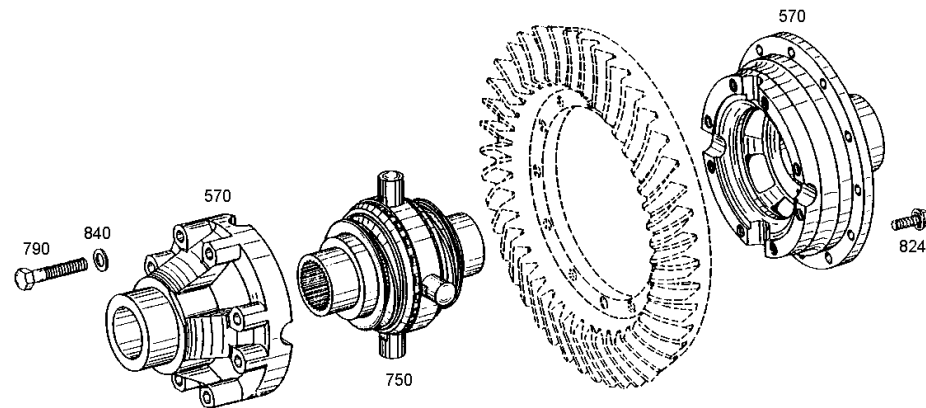
Material number: 4475.019.100

Picture: 446110100100

Material-assembly-group-no: 4461.101.052



MT-C 3075 /
DIFFERENTIAL



Picture

Page 1 from 1

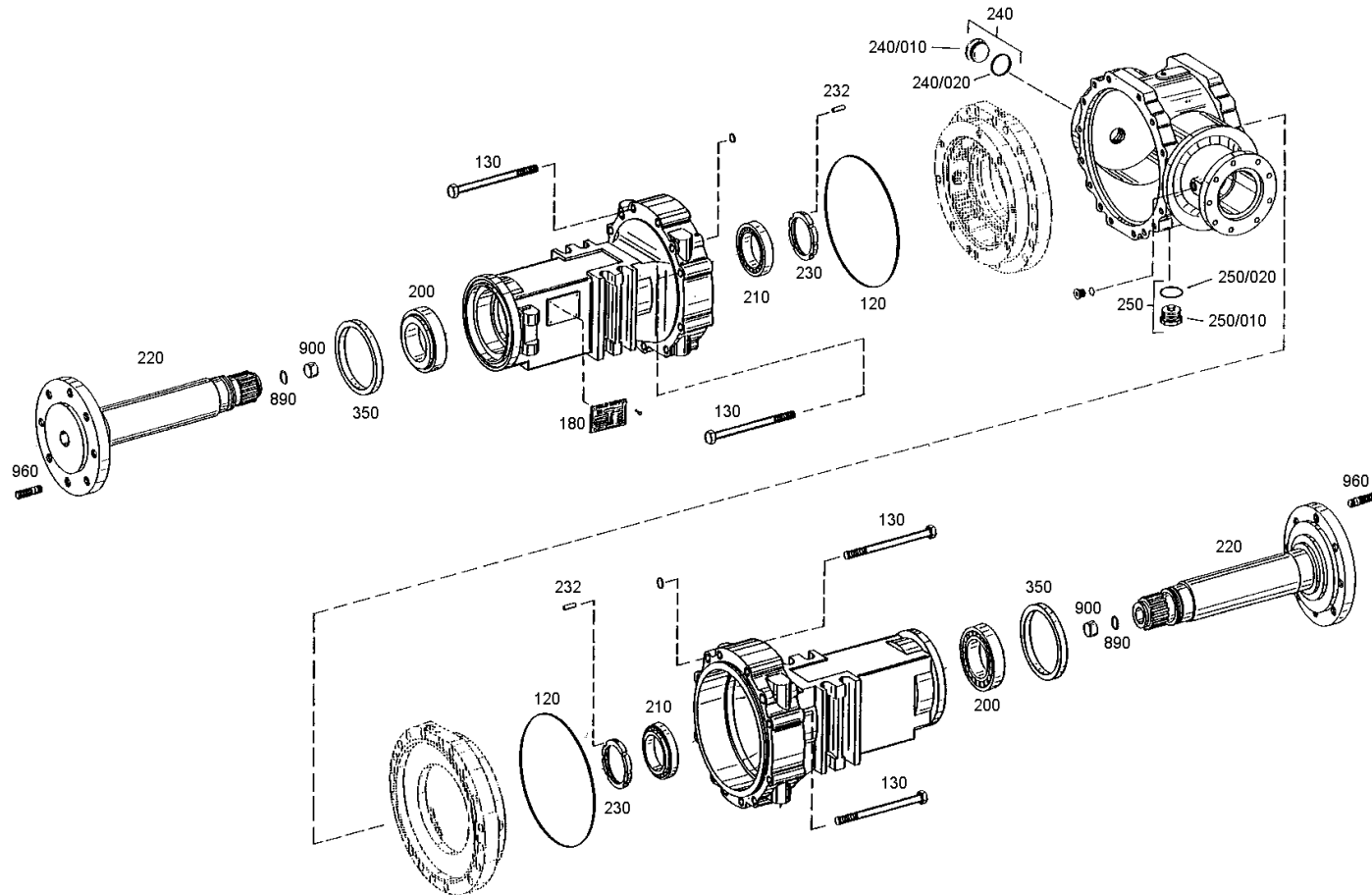
Material number: 4475.019.100

Picture: 447510102101

Material-assembly-group-no: 4475.101.085



MT-C 3075 /
AXLE CASING



Picture

Page 1 from 1

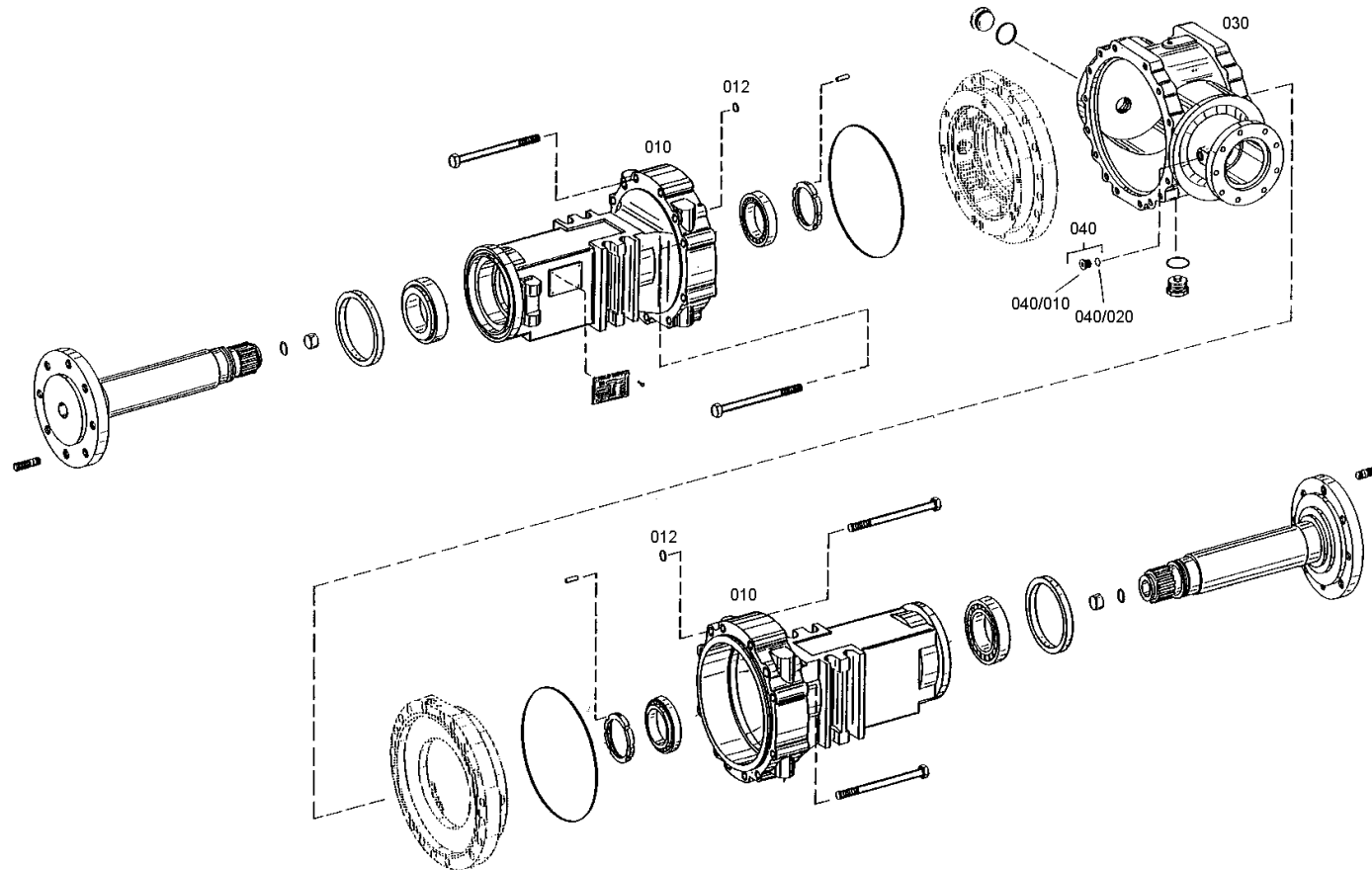
Material number: 4475.019.100

Picture: 447510102102

Material-assembly-group-no: 4475.101.523



MT-C 3075 /
AXLE CASING



Picture

Page 1 from 1

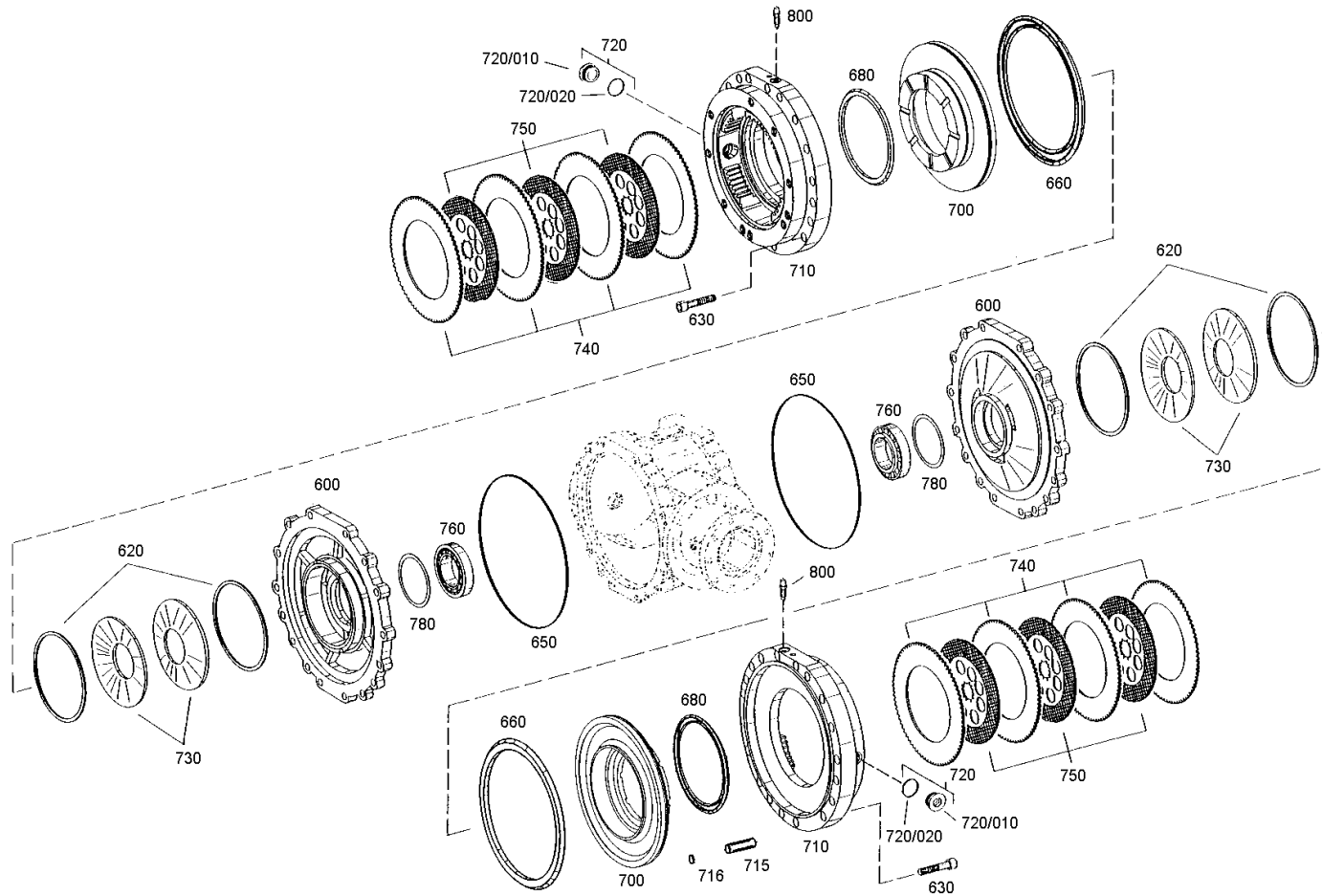
Material number: 4475.019.100

Picture: 447510602500

Material-assembly-group-no: 4475.106.061



MT-C 3075 /
MULTIDISK BRAKE



Picture

Page 1 from 1

Material number: 4475.019.100

Picture: 447512000800

Material-assembly-group-no: 4475.120.008



MT-C 3075 /
OUTPUT

