



Spare Parts Catalog

MT-B 3070

Material number: 4475.059.054

Current date: 23.03.2023

ZF Friedrichshafen AG
Hauptverwaltung
80038 Friedrichshafen
Deutschland

Telefon: +49 7541 77-0

Telefax: +49 7541 77-908000

www.zf.com

zuständiges Werk:
Passau

Notes relating to the spare parts catalog

Setup of the spare parts catalog

- Cover sheet
- Technical Cover (only in SDM print)
- Overview of figures
- Figure
- Associated parts list
- Next figure
- Associated parts list
- ...

Figure and parts list



Overview of figures

Bildtafel Figure	Sachnummer Product number	Benennung (Description)	Technische Info Technical info	Description (Benennung)	Menge Quantity	Einheit Unit
068.08.17	1316.170.001	AUSLEGER	WL	SHIFT TURRET	1	Stk
068.08.06	1316.170.031	DECKEL	WL*H-H *VM	COVER	1	Stk
068.08.14	1316.170.808	DECKEL	WL*AUSL+GEH*H-H*HF160N	COVER	1	Stk
08	1316.170.441	ANSCHLUSSTEILE	WL*NG-VORB*RG-SCHL*168N *BAJONETT	CONNECTING PARTS	1	Stk

The "gap" indicates that there is no separate graphics panel (poster) for this assembly
The parts of this assembly are shown with the same mid-section number on the figure

1 Positions and subpositions

Pos.	Sachnummer Product number	Benennung (Description)	Technische Info Technical info	Description (Benennung)	Menge Quantity	Einheit Unit
0370	1315.201.054	RUECKLAUFBOLZEN	KPL.16S151*SG*L= 79	REV.IDLER SHAFT	1	Stk
/0120	0631.329.293	SPANNSTIFT		SLOT. PIN	1	Stk

Positions marked with "/" are the individual items of a completion
For example: Position 0370 contains a centering pin with the position /0120

2 Combinations with standardized parts

Pos.	Sachnummer Product number	Benennung (Description)	Technische Info Technical info	Description (Benennung)	Menge Quantity	Einheit Unit
0630		VERSCHL.SCHR.		SCREW PLUG	1	Stk
	0636.302.067	VERSCHL.SCHR.		SCREW PLUG	1	Stk
	0634.801.249	DICHTRING	A 26 X 31	SEALING RING	1	Stk

The parts list shows the components included in the combination of standardized parts

3 Depiction of position/item number on the figure and in the parts list

01.620 - on the figure 01 relates to the assembly in which the position is included. Due to program-related reasons, it is shown on the figure.

0620 - in the parts list

Pos.	Sachnummer Product number	Benennung (Description)	Technische Info Technical info	Description (Benennung)	Menge Quantity	Einheit Unit
0620	0732.040.736	DRUCKFEDER		COMPRESSION SPRING	1	Stk

4 *-Positions

Positions marked with an * are optional i.e. inclusion in the parts list is not mandatory.
The following note is shown on the figure

je nach Stücklistenausführung
depending on spec. number
*
suivant la nomenclature
secondo la distinta base

5 Parts, dotted display

Parts with dotted display on the figure are only used for orientation of other parts

Technical Cover

Page 1 from 2

Material number: 4475.059.054



MT-B 3070 /

Pos.	Information	Amendment number
	CUSTOMER:	
	VEHICLE DESIGNATION:	
	TYRE SIZE:	
	TYRE RADIUS DYN.:	
	MAX. SPEED:	
	PRODUCT DESCRIPTION:	
	VEHICLE TYPE:	
	AXLE TYPE:	
	PRODUCTION LOCATION:	
	VERSION:	
	AXLE ARRANGEMENT:	
	DIRECTION OF ROTATION:	
	CROWN WHEEL POSITION:	
	SPIRAL DIRECTION:	
	INSTALL.AXLE INPUT:	
	INPUT FLANGE:	
	FLANGE TO FLANGE DIM.:	
	AXLE INSTALLATION:	
	MOUNTING DIMENSIONS:	
	MAIN DIFFERENTIAL:	
	LOCKING RATIO:	
	AXLE RATIO:	
	PLANETARY DRIVE:	
	BRAKE :	
	SERVICE BRAKE :	
	PARKING BRAKE :	
	RIM PITCH CIRCLE DIAM.:	
	WHEEL CONNECTION:	
	WHEEL NUTS:	
	OIL FILLING AXLE DRIVE:	
	OIL - GRADE AXLE DRIVE:	
	WITH OR WITHOUT PAINTING	
	PRIMER PAINT:	

Technical Cover

Page 2 from 2

Material number: 4475.059.054



MT-B 3070 /

Pos.	Information	Amendment number
	PAINT-FREE AREA:	
	TYPE PLATE:	
	AXLE BREATHER:	
	OIL FILL QUANTITY CA:	
	DOCUMENTATION: -----	
	SECTION DRAWING:	
	INSTALLATION DRAWING:	
	INSTALLATION INSTRUCTION:	
	TESTING INSTRUCTION:	

Assembly group overview

Page 1 from 1

Material number: 4475.059.054



MT-B 3070 /

Picture	Pos.	Material number	Name	Quantity	Amend. no.	Techn. Info.
447510221900	10	4475.102.219	INPUT	1		
447510250550	20	4475.102.505	INPUT	1		
413100405650	30	4131.004.056	LIMIT.SLIP DIFF	1		
447510619000	40	4475.106.190	MULTIDISK BRAKE	1		
447510162850	80	4475.101.628	AXLE CASING	1		
447510122900	70	4475.101.229	AXLE CASING	1		
447512006200	130	4475.120.062	OUTPUT	1		
447510701850	150	4475.107.018	PARKING BRAKE	1		

Picture

Page 1 from 1

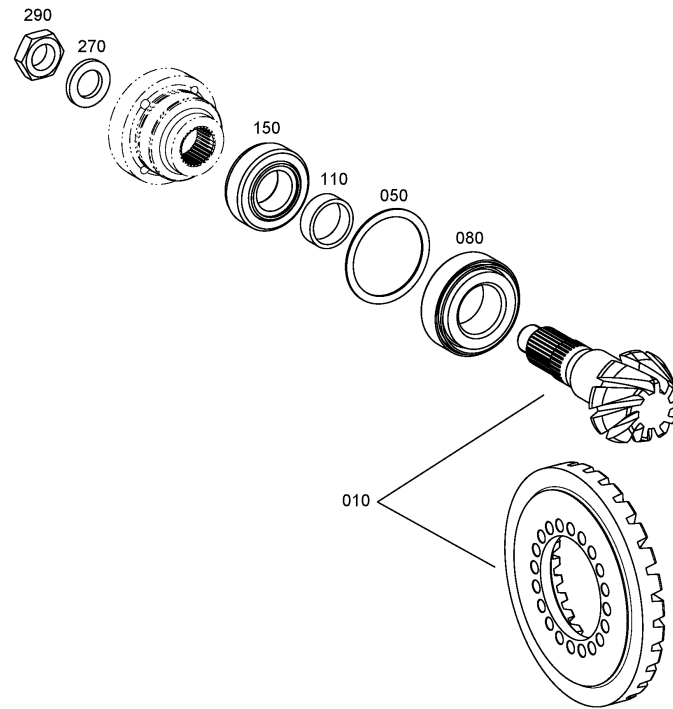
Material number: 4475.059.054

Picture: 447510221900

Material-assembly-group-no: 4475.102.219



MT-B 3070 /
INPUT



Picture

Page 1 from 1

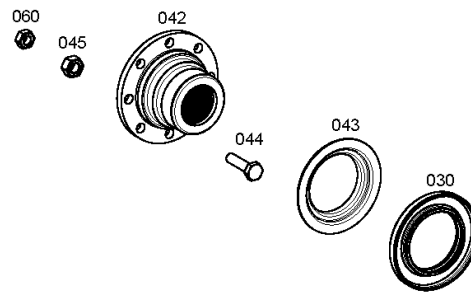
Material number: 4475.059.054

Picture: 447510250550

Material-assembly-group-no: 4475.102.505



MT-B 3070 /
INPUT



Picture

Page 1 from 1

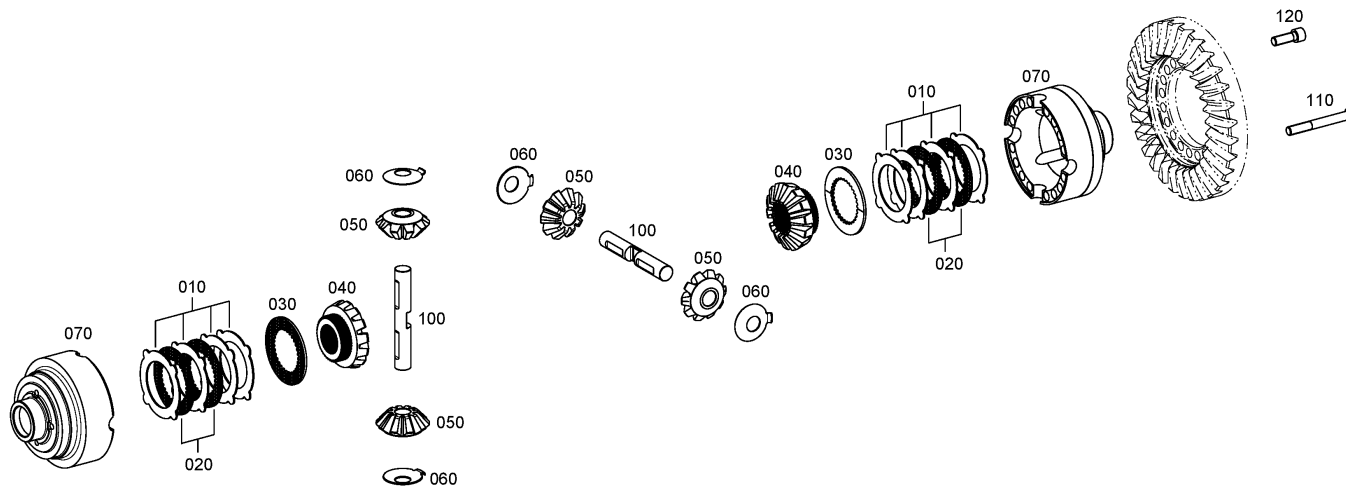
Material number: 4475.059.054

Picture: 413100405650

Material-assembly-group-no: 4131.004.056



MT-B 3070 /
LIMIT.SLIP DIFF



Picture

Page 1 from 1

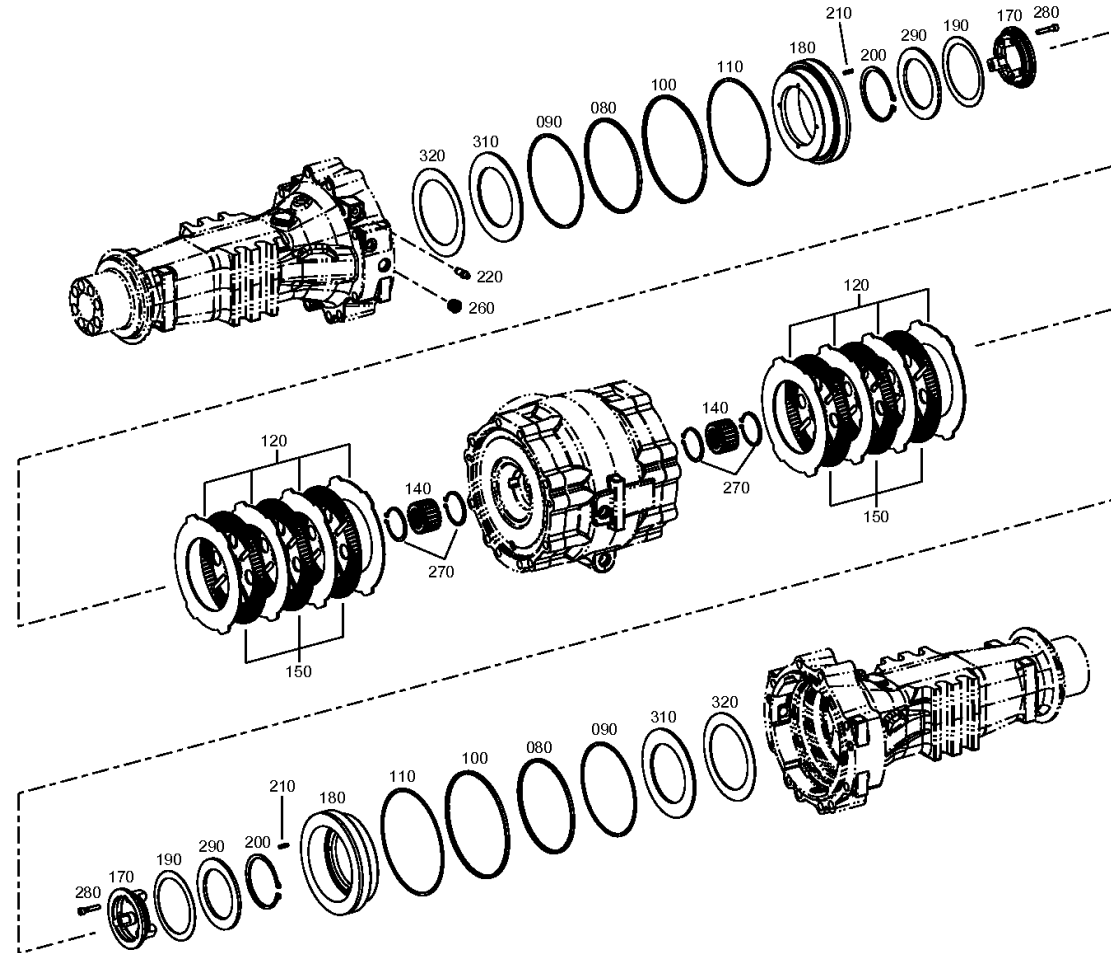
Material number: 4475.059.054

Picture: 447510619000

Material-assembly-group-no: 4475.106.190



MT-B 3070 /
MULTIDISK BRAKE



Picture

Page 1 from 1

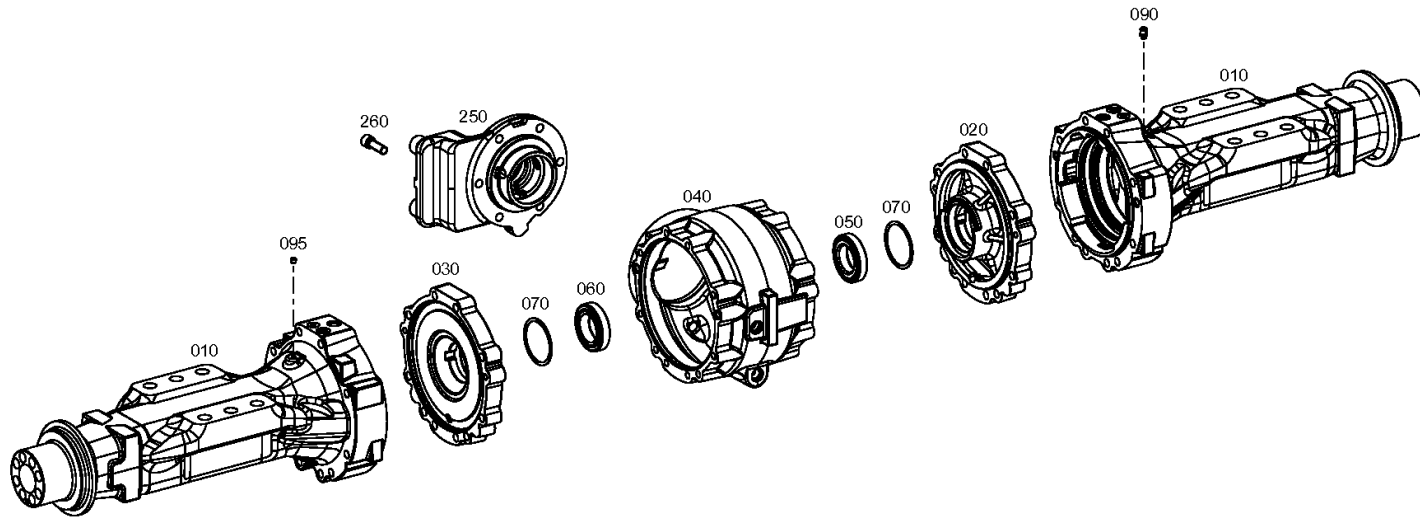
Material number: 4475.059.054

Picture: 447510162850

Material-assembly-group-no: 4475.101.628



MT-B 3070 /
AXLE CASING



Picture

Page 1 from 1

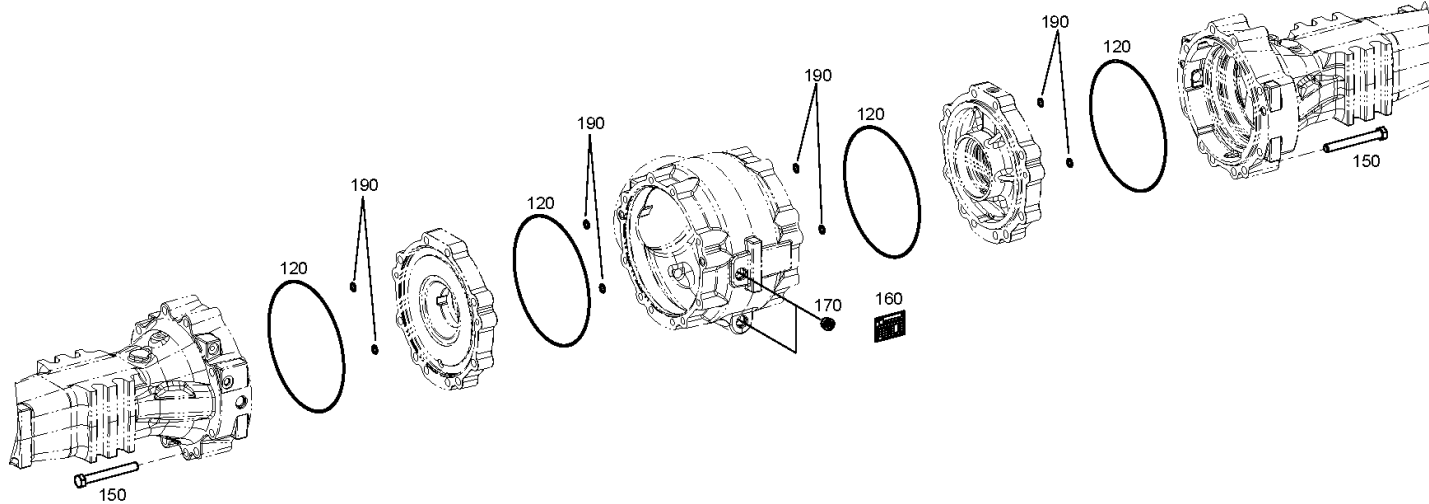
Material number: 4475.059.054

Picture: 447510122900

Material-assembly-group-no: 4475.101.229



MT-B 3070 /
AXLE CASING



Picture

Page 1 from 1

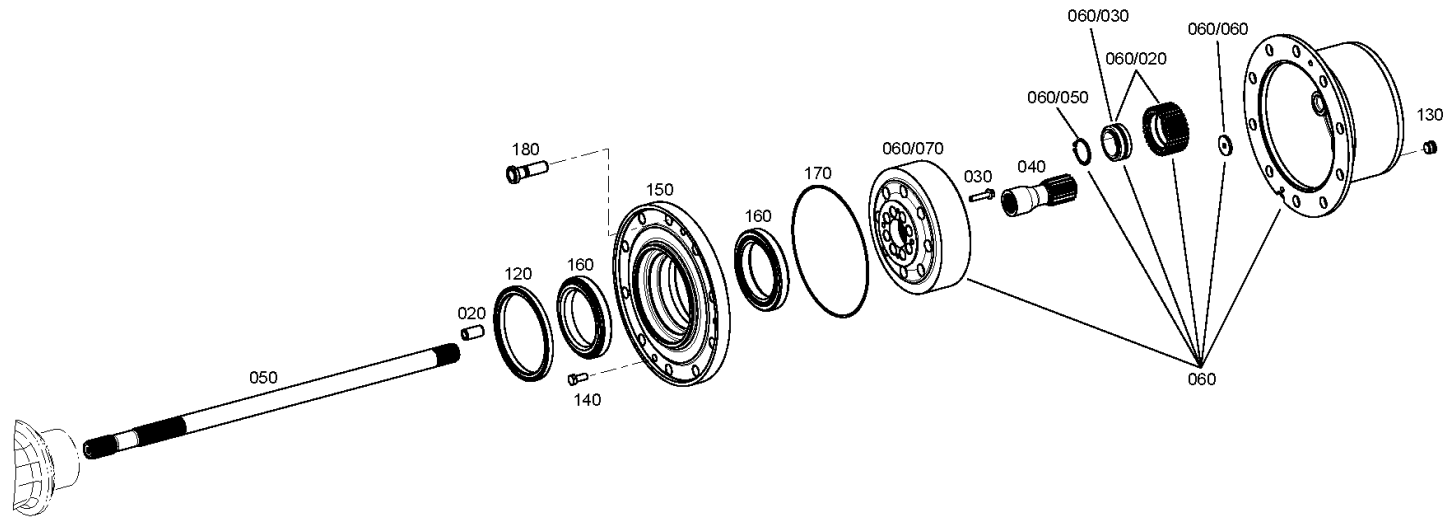
Material number: 4475.059.054

Picture: 447512006200

Material-assembly-group-no: 4475.120.062



MT-B 3070 /
OUTPUT



Picture

Page 1 from 1

Material number: 4475.059.054

Picture: 447510701850

Material-assembly-group-no: 4475.107.018



MT-B 3070 /
PARKING BRAKE

