



# Spare Parts Catalog

TSA 20

Material number: 4475.065.029

Current date: 02.02.2023

ZF Friedrichshafen AG  
Hauptverwaltung  
80038 Friedrichshafen  
Deutschland

Telefon: +49 7541 77-0

Telefax: +49 7541 77-908000

[www.zf.com](http://www.zf.com)

zuständiges Werk:  
Passau

# Notes relating to the spare parts catalog

## Setup of the spare parts catalog

- Cover sheet
- Technical Cover (only in SDM print)
- Overview of figures
- Figure
- Associated parts list
- Next figure
- Associated parts list
- ...

## Figure and parts list



## Overview of figures

Bildtafel Figure	Sachnummer Product number	Benennung (Description)	Technische Info Technical info	Description (Benennung)	Menge Quantity	Einheit Unit
068.08.17	1316.170.001	AUSLEGER	WL	SHIFT TURRET	1	Stk
068.08.06	1316.170.031	DECKEL	WL*H-H *VM	COVER	1	Stk
068.08.14	1316.170.808	DECKEL	WL*AUSL+GEH*H-H*HF160N	COVER	1	Stk
08	1316.170.441	ANSCHLUSSTEILE	WL*NG-VORB*RG-SCHL*168N *BAJONETT	CONNECTING PARTS	1	Stk

The "gap" indicates that there is no separate graphics panel (poster) for this assembly  
The parts of this assembly are shown with the same mid-section number on the figure

### 1 Positions and subpositions

Pos.	Sachnummer Product number	Benennung (Description)	Technische Info Technical info	Description (Benennung)	Menge Quantity	Einheit Unit
0370	1315.201.054	RUECKLAUFBOLZEN	KPL.16S151*SG*L= 79	REV.IDLER SHAFT	1	Stk
/0120	0631.329.293	SPANNSTIFT		SLOT. PIN	1	Stk

Positions marked with "/" are the individual items of a completion  
For example: Position 0370 contains a centering pin with the position /0120

### 2 Combinations with standardized parts

Pos.	Sachnummer Product number	Benennung (Description)	Technische Info Technical info	Description (Benennung)	Menge Quantity	Einheit Unit
0630		VERSCHL.SCHR.		SCREW PLUG	1	Stk
	0636.302.067	VERSCHL.SCHR.		SCREW PLUG	1	Stk
	0634.801.249	DICHTRING	A 26 X 31	SEALING RING	1	Stk

The parts list shows the components included in the combination of standardized parts

### 3 Depiction of position/item number on the figure and in the parts list

01.620 - on the figure      01 relates to the assembly in which the position is included. Due to program-related reasons, it is shown on the figure.

0620 - in the parts list

Pos.	Sachnummer Product number	Benennung (Description)	Technische Info Technical info	Description (Benennung)	Menge Quantity	Einheit Unit
0620	0732.040.736	DRUCKFEDER		COMPRESSION SPRING	1	Stk

### 4 \*-Positions

Positions marked with an \* are optional i.e. inclusion in the parts list is not mandatory.  
The following note is shown on the figure

je nach Stücklistenausführung  
depending on spec. number  
\*  
suivant la nomenclature  
secondo la distinta base

### 5 Parts, dotted display

Parts with dotted display on the figure are only used for orientation of other parts

# Technical Cover

Page 1 from 2

Material number: 4475.065.029



TSA 20 /

Pos.	Information	Amendment number
	KUNDENNAME: FENDT	
	KUNDEN-IDENT-NUMMER: E 743.300.020.030	
	FAHRZEUGBEZEICHNUNG: SCHLEPPER VARIO X714	
	REIFENGROESSE:	
	REIFENRADIUS:	
	PRODUKTBESCHREIBUNG: ZF- TERRA STEER AXLE	
	FAHRZEUGART: SCHLEPPER	
	ACHSENTYP: TSA - 20	
	AUSFUEHRUNG: LENKBAR	
	ACHSANORDNUNG: VORDERACHSE	
	DREHRICHTUNG RITZEL : MUL	
	TELLERRADLAGE: LINKS	
	SPIRALRICHTUNG: RECHTS	
	ANTRIEBSFLANSCH:	
	FLANSCHMASS.: 1900 MM	
	AUFHAENGUNG: ZENTRAL / HINTEN	
	SELBSTSPERRDIFF.: DHL -500 MIT DZ	
	ACHSÜBERSETZUNG: 13,6	
	LENKZYLINDER: 90X55	
	LENKWINKELSENSOR: MIT	
	LENKUNGSVERSION: ANGESCHRAUBT IN FR VORNE	
	LENKWINKELANSCHLAG: 52 GRAD	
	LENKANSCHLUSS: M18X1.5 D:N 3852	
	PLANETENTRIEB: P3, I=6,4	
	BREMSE: OHNE	
	FELGENLOCHKREIS: 335,00 MM	
	RADANSCHLUSS: BOLZEN 10 X M20 X 1,5	
	RADMUTTER: OHNE	
	ACHSE OELFÜLLUNG: MIT	
	OELSORTE: TE-ML-21	
	ABD. FARBFREIE FLÄCHE: STANDARD SCHLEPPER	
	ACHSBRUECKE: 8,5 L	
	PLANETENTRIEB: JE 2 L	

# Technical Cover

Page 2 from 2

Material number: 4475.065.029



TSA 20 /

Pos.	Information	Amendment number
	OELEINFUELLMENGE GESAMT:12,5 L	
	DOKUMENTATION: -----	
	SCHNITTZEICHNUNG: 4475 065 030	
	EINBAUZEICHNUNG: 4475 665 029	
	PRUEFANWEISUNG: 4475 760 028	
	FARBE: SCHWARZ RAL 9005	
	MONTAGEHINWEIS:	
	ETIKETTE MIT LESBAREM BARCODE BEI MONTAGE AN ACHSE ANBRINGEN	

# Assembly group overview

Page 1 from 1

Material number: 4475.065.029



TSA 20 /

Picture	Pos.	Material number	Name	Quantity	Amend. no.	Techn. Info.
447510229200	40	4475.102.292	INPUT	1		
448203101400	80	4482.031.014	LIMIT.SLIP DIFF	1		
448203400500	100	4482.034.005	DIFFERENTIAL LOCK	1		
447514201200	120	4475.142.012	DIFFERENTIAL COVER	1		
447510127400	10	4475.101.274	AXLE CASING	1		
447510319400	160	4475.103.194	JOINT HOUSING	1		
447514301300	200	4475.143.013	UNIVERSAL SHAFT	1		
447514401700	220	4475.144.017	BEARING PIN	1		
447510415200	250	4475.104.152	PLANETARY DRIVE	1		
447510511400	240	4475.105.114	STEERING	1		

# Picture

Page 1 from 1

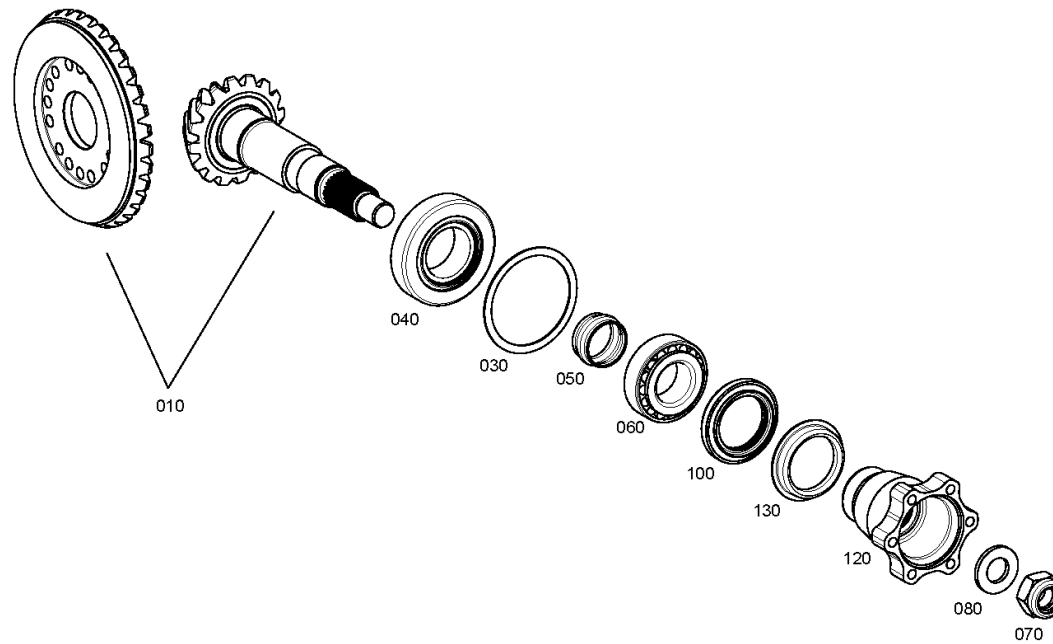
Material number: 4475.065.029

Picture: 447510229200

Material-assembly-group-no: 4475.102.292



TSA 20 /  
INPUT



# Picture

Page 1 from 1

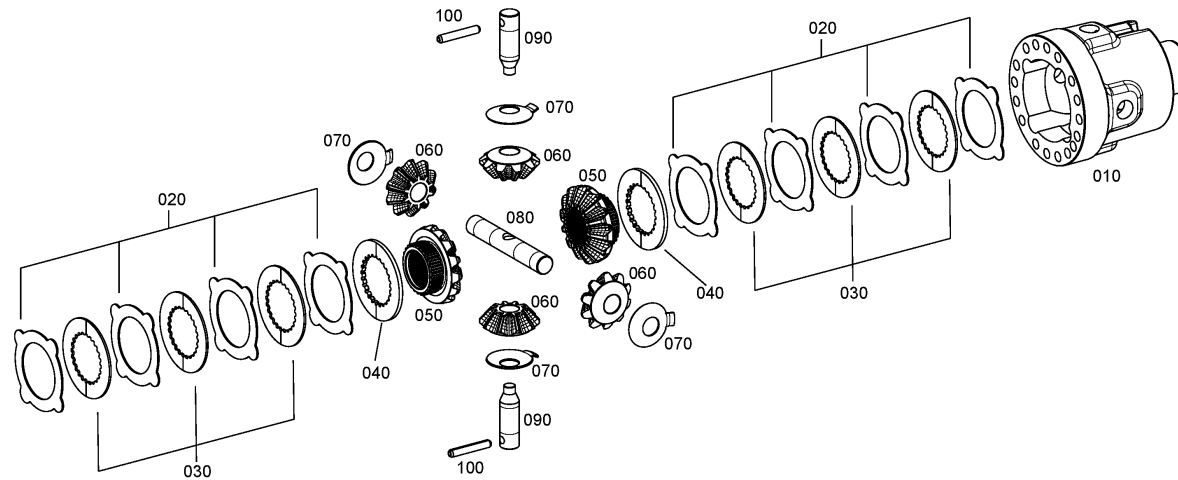
Material number: 4475.065.029

Picture: 448203101400

Material-assembly-group-no: 4482.031.014



TSA 20 /  
LIMIT.SLIP DIFF



# Picture

Page 1 from 1

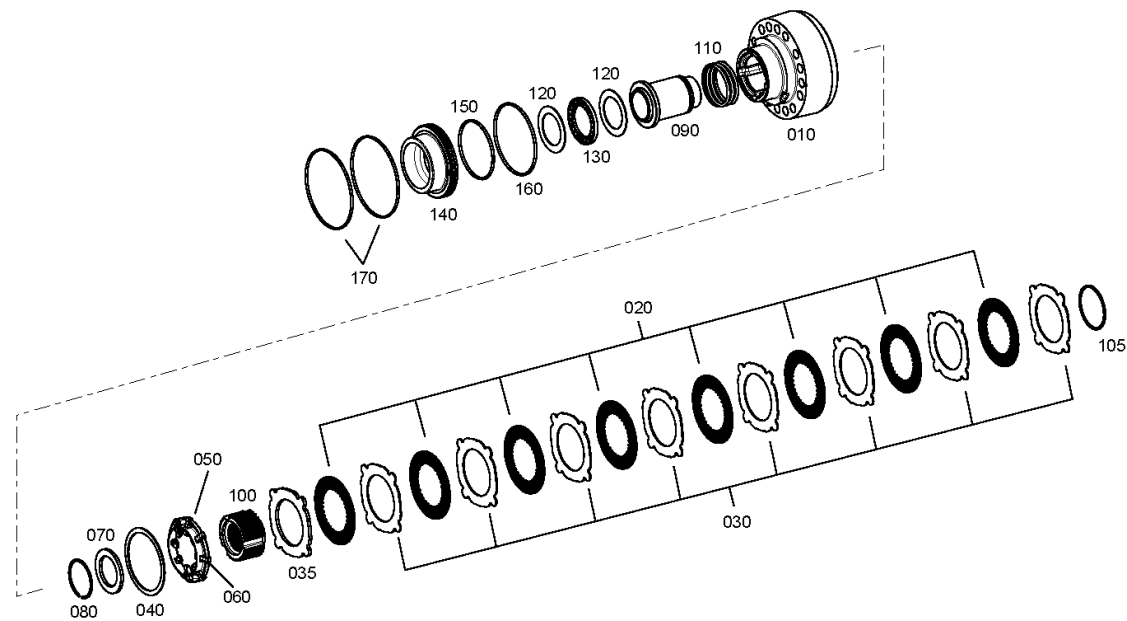
Material number: 4475.065.029

Picture: 448203400500

Material-assembly-group-no: 4482.034.005



TSA 20 /  
DIFFERENTIAL LOCK





# Picture

Page 1 from 1

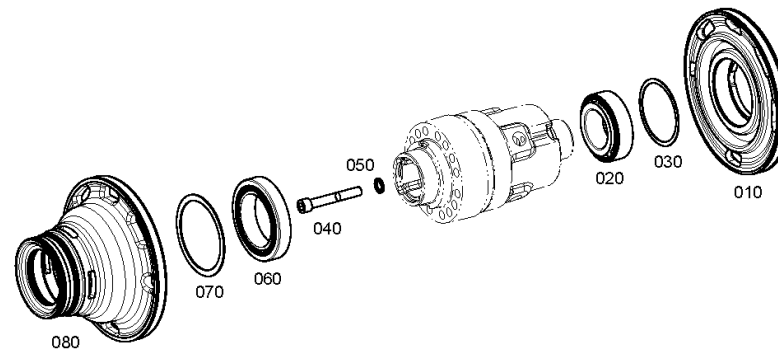
Material number: 4475.065.029

Picture: 447514201200

Material-assembly-group-no: 4475.142.012



TSA 20 /  
DIFFERENTIAL COVER



# Picture

Page 1 from 1

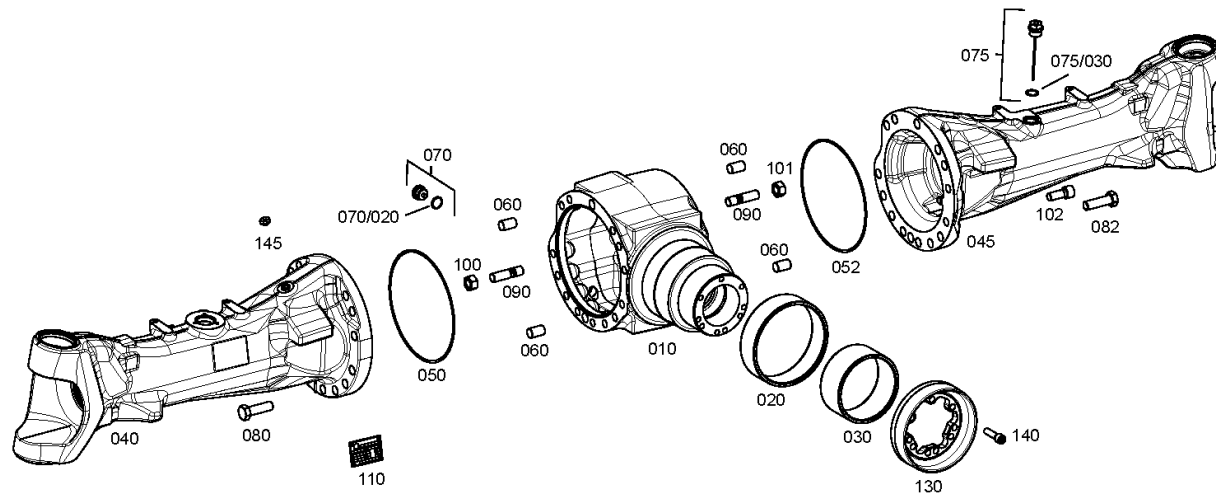
Material number: 4475.065.029

Picture: 447510127400

Material-assembly-group-no: 4475.101.274



TSA 20 /  
AXLE CASING



# Picture

Page 1 from 1

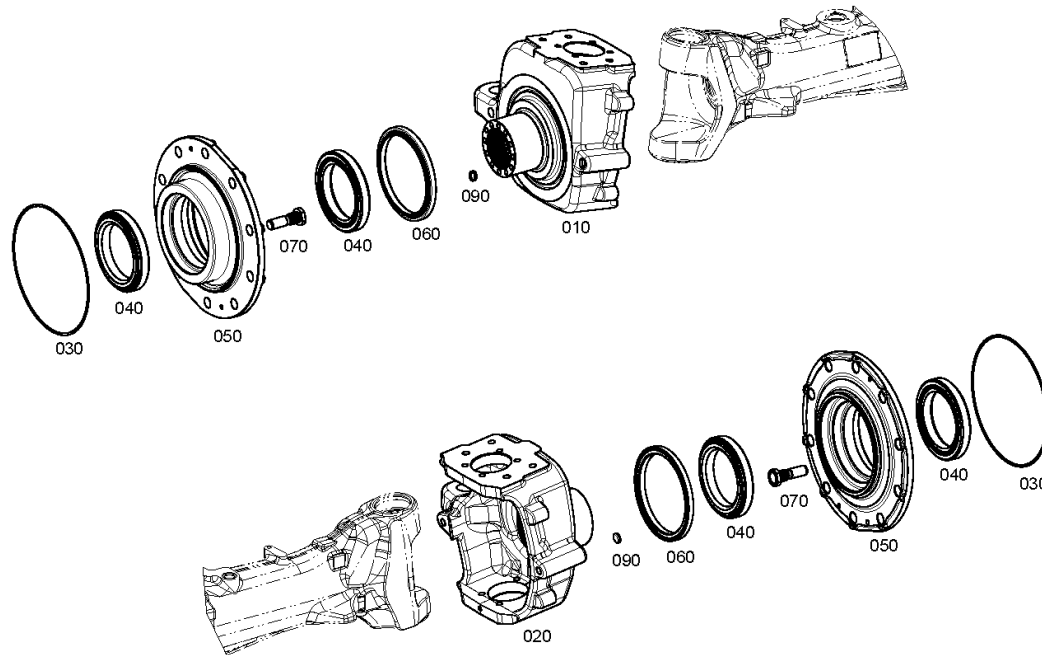
Material number: 4475.065.029

Picture: 447510319400

Material-assembly-group-no: 4475.103.194



TSA 20 /  
JOINT HOUSING



# Picture

Page 1 from 1

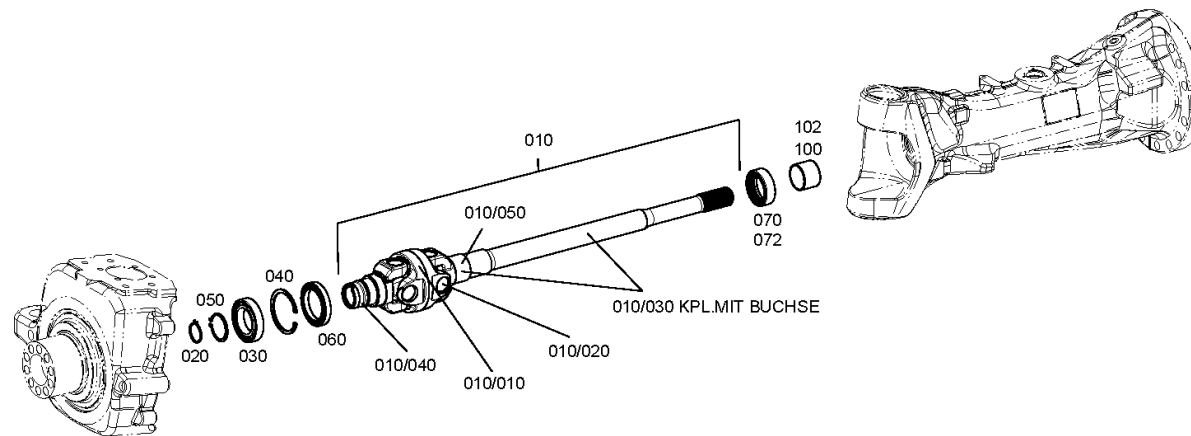
Material number: 4475.065.029

Picture: 447514301300

Material-assembly-group-no: 4475.143.013



TSA 20 /  
UNIVERSAL SHAFT



# Picture

Page 1 from 1

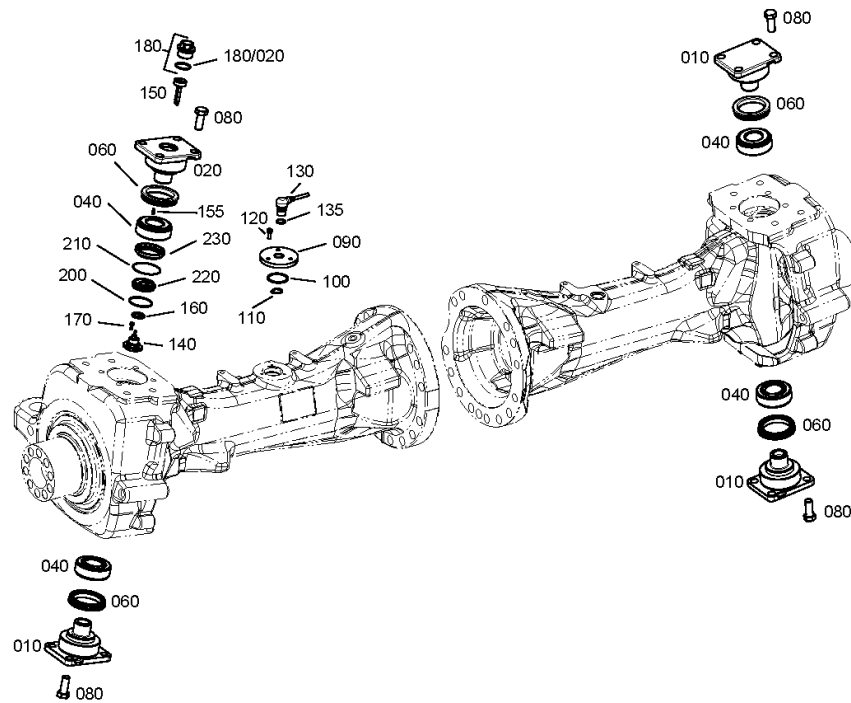
Material number: 4475.065.029

Picture: 447514401700

Material-assembly-group-no: 4475.144.017



TSA 20 /  
BEARING PIN



# Picture

Page 1 from 1

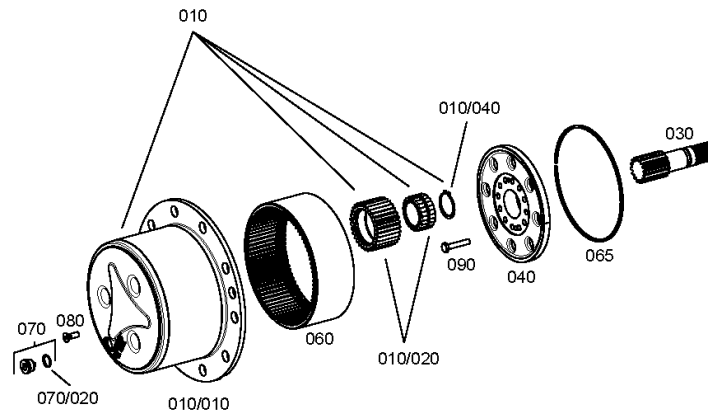
Material number: 4475.065.029

Picture: 447510415200

Material-assembly-group-no: 4475.104.152



TSA 20 /  
PLANETARY DRIVE



# Picture

Page 1 from 1

Material number: 4475.065.029

Picture: 447510511400

Material-assembly-group-no: 4475.105.114



TSA 20 /  
STEERING

