



# Spare Parts Catalog

TDA 37

Material number: 4476.006.003

Current date: 05.10.2016

ZF Friedrichshafen AG  
Hauptverwaltung  
80038 Friedrichshafen  
Deutschland

Telefon: +49 7541 77-0

Telefax: +49 7541 77-908000

[www.zf.com](http://www.zf.com)

zuständiges Werk:  
Passau

# Notes relating to the spare parts catalog

## Setup of the spare parts catalog

- Cover sheet
- Technical Cover (only in SDM print)
- Overview of figures
- Figure
- Associated parts list
- Next figure
- Associated parts list
- ...

## Figure and parts list



## Overview of figures

Bildtafel Figure	Sachnummer Product number	Benennung (Description)	Technische Info Technical info	Description (Benennung)	Menge Quantity	Einheit Unit
068.08.17	1316.170.001	AUSLEGER	WL	SHIFT TURRET	1	Stk
068.08.06	1316.170.031	DECKEL	WL*H-H *VM	COVER	1	Stk
068.08.14	1316.170.808	DECKEL	WL*AUSL+GEH*H-H*HF160N	COVER	1	Stk
08	1316.170.441	ANSCHLUSSTEILE	WL*NG-VORB*RG-SCHL*168N *BAJONETT	CONNECTING PARTS	1	Stk

The "gap" indicates that there is no separate graphics panel (poster) for this assembly  
The parts of this assembly are shown with the same mid-section number on the figure

### 1 Positions and subpositions

Pos.	Sachnummer Product number	Benennung (Description)	Technische Info Technical info	Description (Benennung)	Menge Quantity	Einheit Unit
0370	1315.201.054	RUECKLAUFBOLZEN	KPL.16S151*SG*L= 79	REV.IDLER SHAFT	1	Stk
/0120	0631.329.293	SPANNSTIFT		SLOT. PIN	1	Stk

Positions marked with "/" are the individual items of a completion  
For example: Position 0370 contains a centering pin with the position /0120

### 2 Combinations with standardized parts

Pos.	Sachnummer Product number	Benennung (Description)	Technische Info Technical info	Description (Benennung)	Menge Quantity	Einheit Unit
0630		VERSCHL.SCHR.		SCREW PLUG	1	Stk
	0636.302.067	VERSCHL.SCHR.		SCREW PLUG	1	Stk
	0634.801.249	DICHTRING	A 26 X 31	SEALING RING	1	Stk

The parts list shows the components included in the combination of standardized parts

### 3 Depiction of position/item number on the figure and in the parts list

01.620 - on the figure      01 relates to the assembly in which the position is included. Due to program-related reasons, it is shown on the figure.

0620 - in the parts list

Pos.	Sachnummer Product number	Benennung (Description)	Technische Info Technical info	Description (Benennung)	Menge Quantity	Einheit Unit
0620	0732.040.736	DRUCKFEDER		COMPRESSION SPRING	1	Stk

### 4 \*-Positions

Positions marked with an \* are optional i.e. inclusion in the parts list is not mandatory.  
The following note is shown on the figure

je nach Stücklistenausführung  
depending on spec. number  
\*  
suivant la nomenclature  
secondo la distinta base

### 5 Parts, dotted display

Parts with dotted display on the figure are only used for orientation of other parts

# Technical Cover

Page 1 from 2

Material number: 4476.006.003



TDA 37 /

Pos.	Information	Amendment number
	CUSTOMER: ATM	
	VEHICLE DESIGNATION:	
	TYRE SIZE: 710/75 R42 (0,97M)	
	MAX. SPEED:	
	PRODUCT DESCRIPTION: ZF- TRACTOR AXLE	
	VEHICLE TYPE:	
	ACHSENTYP: MT-L 3105 II	
	VERSION: RIGID	
	AXLE ARRANGEMENT: REAR AXLE	
	DIRECTION OF ROTATION: CCW	
	CROWN WHEEL POSITION: LEFT	
	SPIRALDIRECTION: LEFT	
	INPUTFLANGE: MECH 8,5 C	
	FLANGE TO FLANGE: 2.314 MM	
	AXLE INSTALLATION: SPRING PAD	
	MOUNTING DIMENSON/MM: 760X980X1220 12XD=33	
	DIFFERENTIAL:	
	DIFFERENTIAL TYPE: DHLD - 2400/LKV	
	SPERRWERT: 100%	
	DIFFERENTIAL- LOCK: ON LOAD SHIFTABLE	
	ACTUATING: HYDRAULIC	
	PORT SIZE: M 12 X 1,5	
	AXLE RATIO: 23,334	
	PLANETARY DRIVE: P4, I=6,0	
	SEALING TYPE: METAL FACE SEAL	
	BRAKE: SERVICE BRAKE	
	SERVICE BRAKE: 2 X MULTI DISC 345X264X8	
	DISC BRAKE: SINTER DISC	
	PISTON SEAL: STANDARD	
	BRAKE CONNECTION: M22X1,5 VERTICAL PER WHEEL HEAD	
	RIM PITCH DIAMETER: 425,00 MM	
	WHEEL CONNECTION: WHEEL BOLT 20 X M22 X 1,5	
	WHEELNUT: WITHOUT	

# Technical Cover

Page 2 from 2

Material number: 4476.006.003



TDA 37 /

Pos.	Information	Amendment number
	OILFILLING AXLE: WITH	
	OILFILLING: STANDARD	
	OILGRADE AXLE: TE ML 05 (TITAN POWERFLUID)	
	OILGRADE ALLOWED: TE ML 21 C/D/F/G	
	PRIMER PAINT: BLACK RAL 9005	
	OILFILLING: APPROX. 42,0L	
	DOCUMENTATION:	
	SECTIONDRAWING: 4474.054.216	
	INSTALLATION DRW.: 4476.606.001	
	INSTALLATION INSTRUCTION.: 4474.700 088	
	TESTING INSTRUCTION: 4474 760 009	
	MOUNTING INSTRUCTION: 4474 700 116	
	DIFFERENTIAL INSTRUCTION:	
	INSTRUCTION OUTPUT: 4474.700.118	
	INSTRUCTION CENTRAL:	
	REMARKS:	

# Assembly group overview

Page 1 from 1

Material number: 4476.006.003



TDA 37 /

Picture	Pos.	Material number	Name	Quantity	Amend. no.	Techn. Info.
447415303400	60	4474.153.034	AXLE DRIVE HOUSING	1		
447415403900	10	4474.154.039	INPUT	1		
446012506600	20	4460.125.066	INPUT FLANGE	1		
448117105550	30	4481.171.055	DIFFERENTIAL 2400	1		
447415507300	70	4474.155.073	AXLE CASING	1		
447415611500	130	4474.156.115	OUTPUT	1		
447415702700	40	4474.157.027	BRAKE	1		
447415507400	80	4474.155.074	AXLE CASING	1		
447415611500	140	4474.156.115	OUTPUT	1		
447415702700	50	4474.157.027	BRAKE	1		
447415808200	160	4474.158.082	AXLE PARTS	1		
414313900100	900	4143.139.001	TYPE PLATE	1		

# Picture

Page 1 from 1

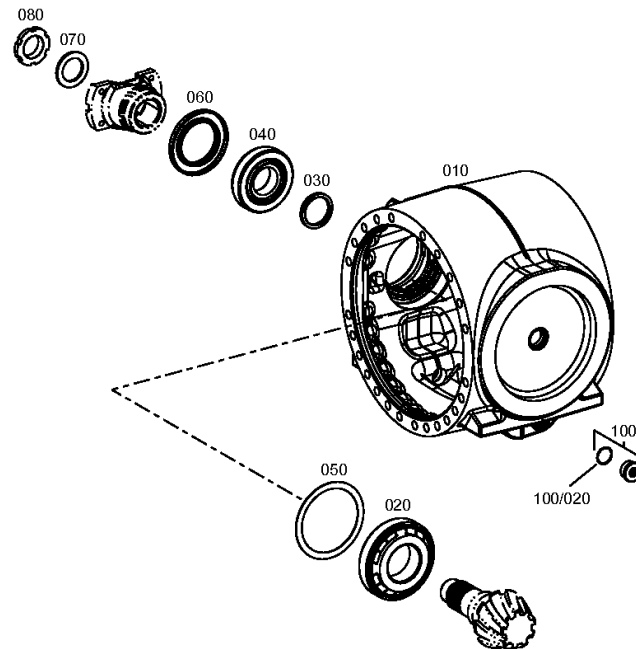
Material number: 4476.006.003

Picture: 447415303400

Material-assembly-group-no: 4474.153.034



TDA 37 /  
AXLE DRIVE HOUSING



# Picture

Page 1 from 1

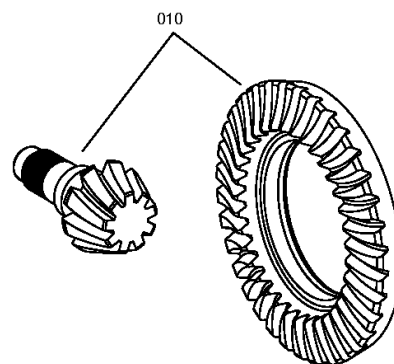
Material number: 4476.006.003

Picture: 447415403900

Material-assembly-group-no: 4474.154.039



TDA 37 /  
INPUT



# Picture

Page 1 from 1

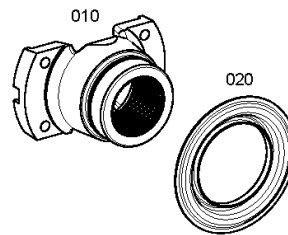
Material number: 4476.006.003

Picture: 446012506600

Material-assembly-group-no: 4460.125.066



TDA 37 /  
INPUT FLANGE





# Picture

Page 1 from 1

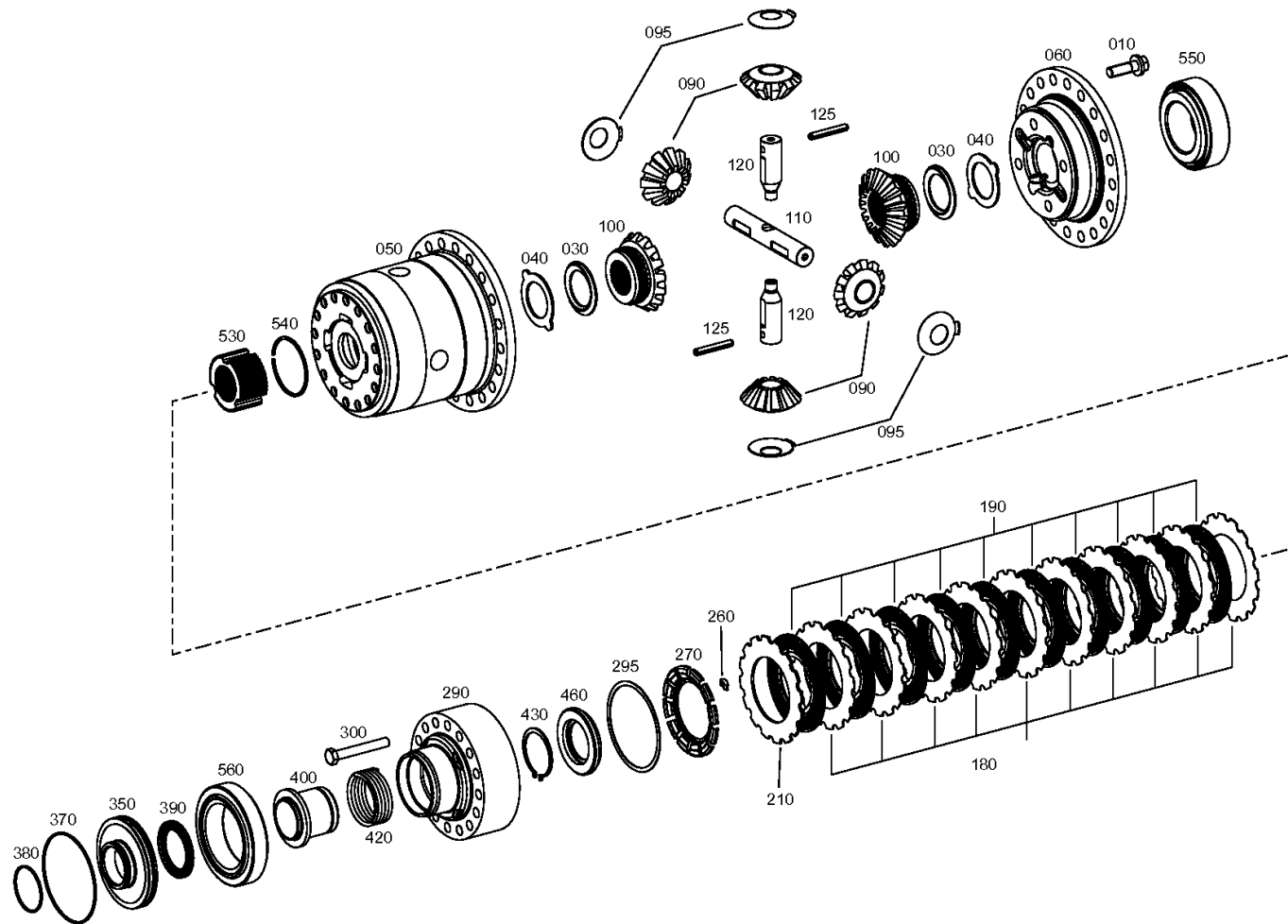
Material number: 4476.006.003

Picture: 448117105550

Material-assembly-group-no: 4481.171.055



TDA 37 /  
DIFFERENTIAL 2400



# Picture

Page 1 from 1

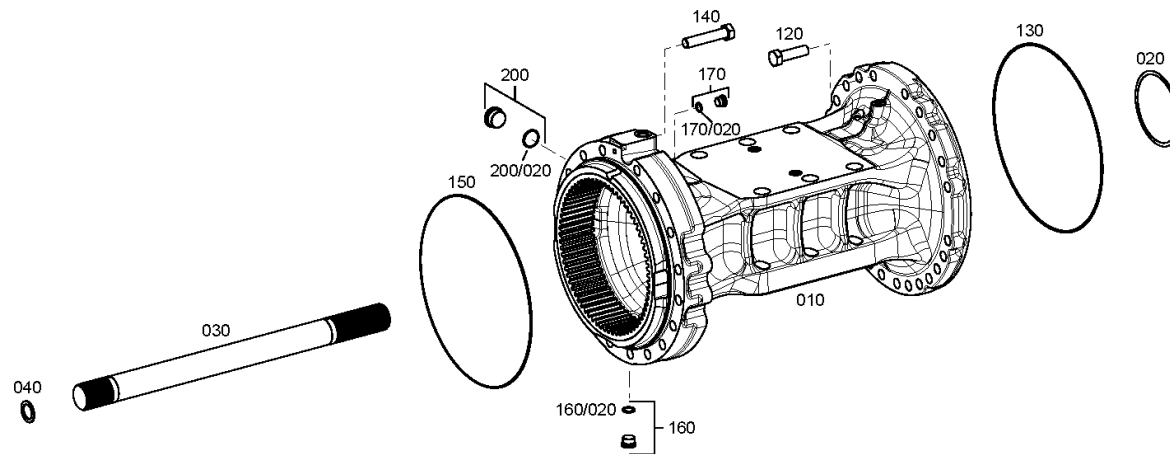
Material number: 4476.006.003

Picture: 447415507300

Material-assembly-group-no: 4474.155.073



TDA 37 /  
AXLE CASING



# Picture

Page 1 from 1

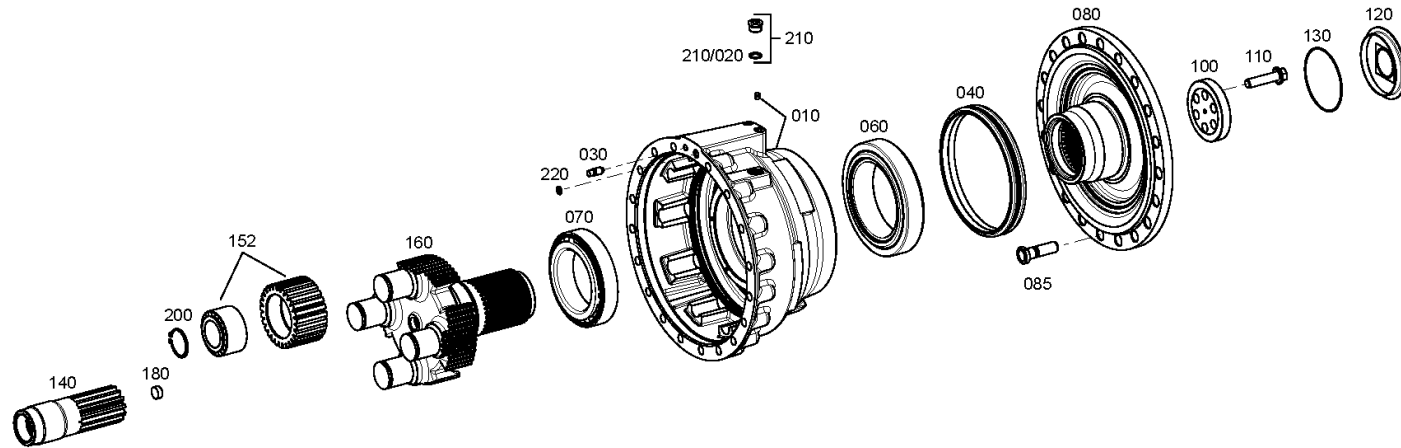
Material number: 4476.006.003

Picture: 447415611500

Material-assembly-group-no: 4474.156.115



TDA 37 /  
OUTPUT



# Picture

Page 1 from 1

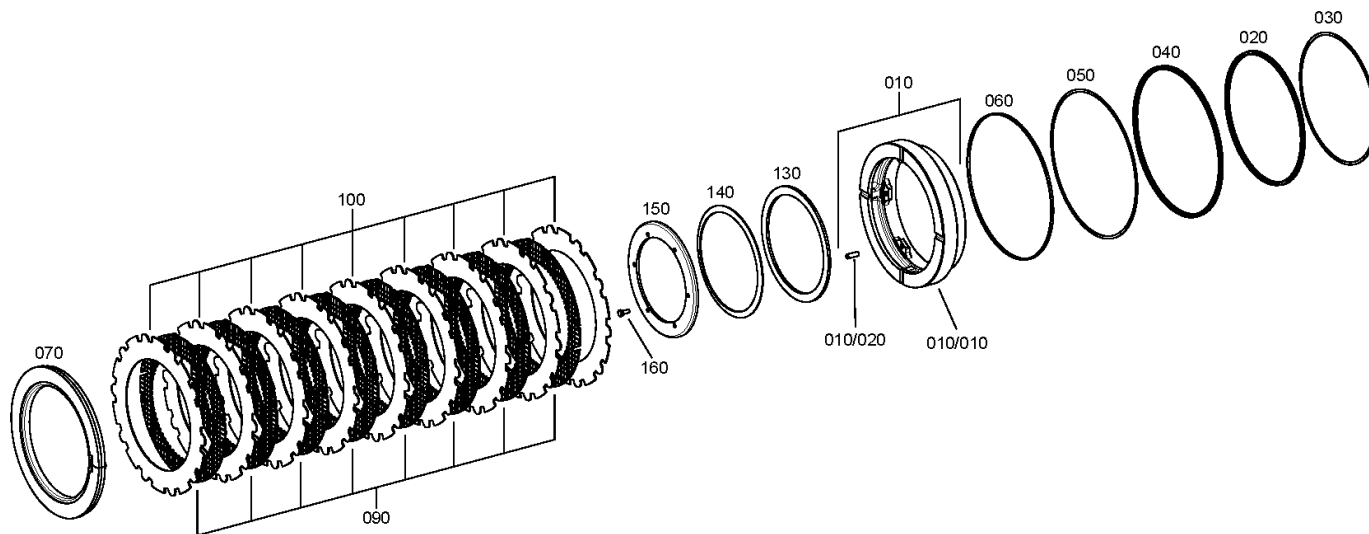
Material number: 4476.006.003

Picture: 447415702700

Material-assembly-group-no: 4474.157.027



TDA 37 /  
BRAKE



rechts/links  
right/left  
destra/sinistra  
droite/gauche  
derecho/izquierdo

# Picture

Page 1 from 1

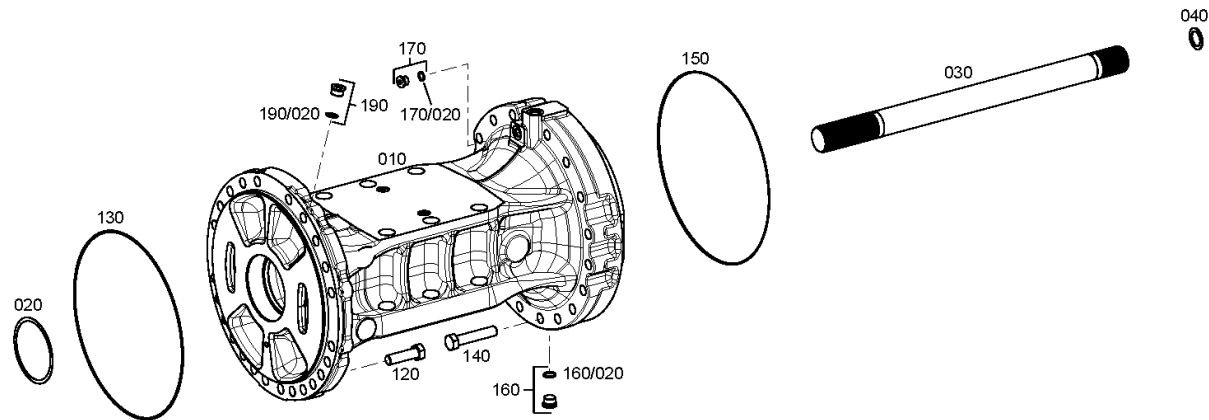
Material number: 4476.006.003

Picture: 447415507400

Material-assembly-group-no: 4474.155.074



TDA 37 /  
AXLE CASING



# Picture

Page 1 from 1

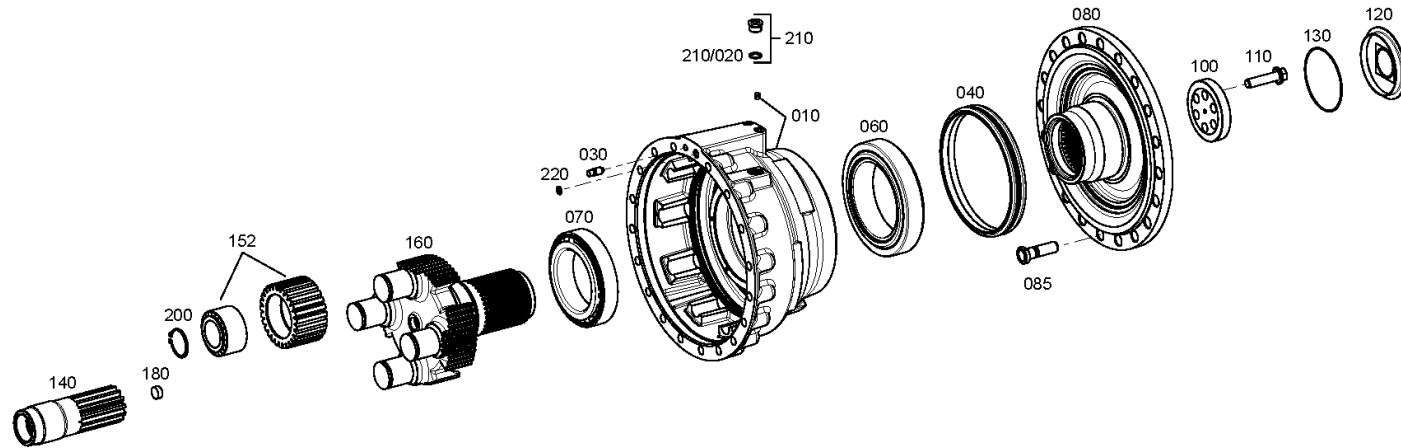
Material number: 4476.006.003

Picture: 447415611500

Material-assembly-group-no: 4474.156.115



TDA 37 /  
OUTPUT



# Picture

Page 1 from 1

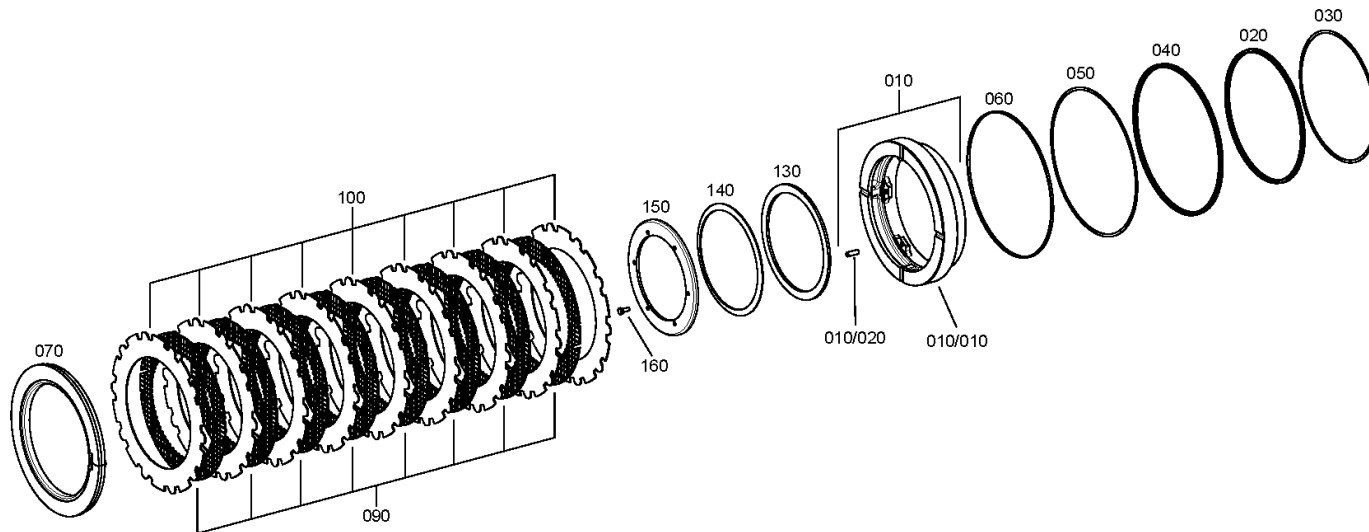
Material number: 4476.006.003

Picture: 447415702700

Material-assembly-group-no: 4474.157.027



TDA 37 /  
BRAKE



rechts/links  
right/left  
destra/sinistra  
droite/gauche  
derecho/izquierdo

# Picture

Page 1 from 1

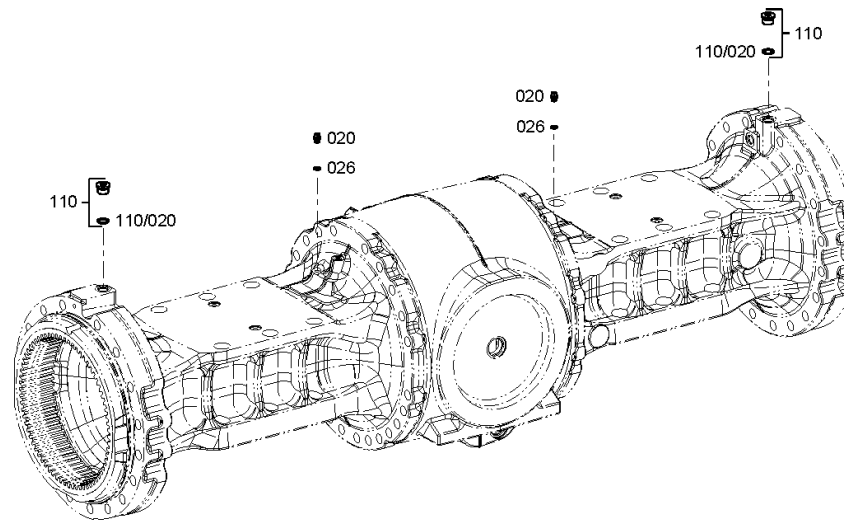
Material number: 4476.006.003

Picture: 447415808200

Material-assembly-group-no: 4474.158.082



TDA 37 /  
AXLE PARTS





# Picture

Page 1 from 1

Material number: 4476.006.003

Picture: 414313900100

Material-assembly-group-no: 4143.139.001



TDA 37 /  
TYPE PLATE

