



Spare Parts Catalog

WENDEGETRIEBE

Material number: 4644.024.100

Current date: 19.09.2022

ZF Friedrichshafen AG
Hauptverwaltung
80038 Friedrichshafen
Deutschland

Telefon: +49 7541 77-0

Telefax: +49 7541 77-908000

www.zf.com

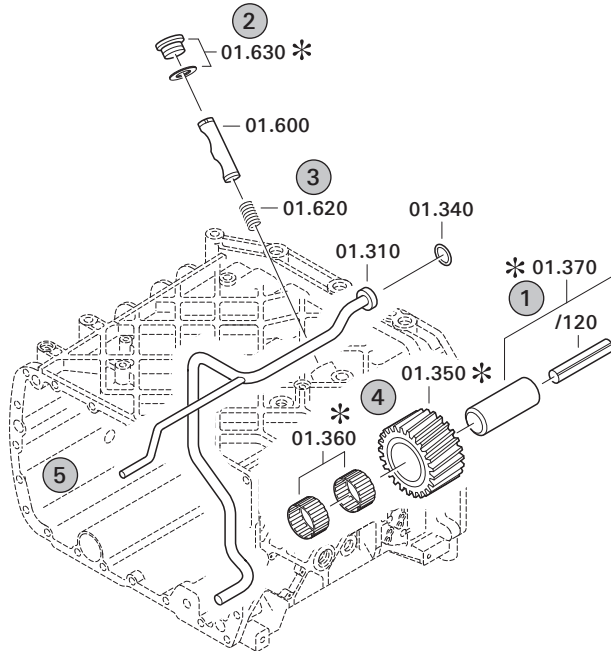
zuständiges Werk:
Passau

Notes relating to the spare parts catalog

Setup of the spare parts catalog

- Cover sheet
- Technical Cover (only in SDM print)
- Overview of figures
- Figure
- Associated parts list
- Next figure
- Associated parts list
- ...

Figure and parts list



Overview of figures

Bildtafel Figure	Sachnummer Product number	Benennung (Description)	Technische Info Technical info	Description (Benennung)	Menge Quantity	Einheit Unit
068.08.17	1316.170.001	AUSLEGER	WL	SHIFT TURRET	1	Stk
068.08.06	1316.170.031	DECKEL	WL*H-H *VM	COVER	1	Stk
068.08.14	1316.170.808	DECKEL	WL*AUSL+GEH*H-H*HF160N	COVER	1	Stk
08	1316.170.441	ANSCHLUSSTEILE	WL*NG-VORB*RG-SCHL*168N *BAJONETT	CONNECTING PARTS	1	Stk

The "gap" indicates that there is no separate graphics panel (poster) for this assembly
The parts of this assembly are shown with the same mid-section number on the figure

1 Positions and subpositions

Pos.	Sachnummer Product number	Benennung (Description)	Technische Info Technical info	Description (Benennung)	Menge Quantity	Einheit Unit
0370	1315.201.054	RUECKLAUFBOLZEN	KPL.16S151*SG*L= 79	REV.IDLER SHAFT	1	Stk
/0120	0631.329.293	SPANNSTIFT		SLOT. PIN	1	Stk

Positions marked with "/" are the individual items of a completion
For example: Position 0370 contains a centering pin with the position /0120

2 Combinations with standardized parts

Pos.	Sachnummer Product number	Benennung (Description)	Technische Info Technical info	Description (Benennung)	Menge Quantity	Einheit Unit
0630		VERSCHL.SCHR.		SCREW PLUG	1	Stk
	0636.302.067	VERSCHL.SCHR.		SCREW PLUG	1	Stk
	0634.801.249	DICHTRING	A 26 X 31	SEALING RING	1	Stk

The parts list shows the components included in the combination of standardized parts

3 Depiction of position/item number on the figure and in the parts list

01.620 - on the figure 01 relates to the assembly in which the position is included. Due to program-related reasons, it is shown on the figure.

0620 - in the parts list

Pos.	Sachnummer Product number	Benennung (Description)	Technische Info Technical info	Description (Benennung)	Menge Quantity	Einheit Unit
0620	0732.040.736	DRUCKFEDER		COMPRESSION SPRING	1	Stk

4 *-Positions

Positions marked with an * are optional i.e. inclusion in the parts list is not mandatory.
The following note is shown on the figure

je nach Stücklistenausführung
depending on spec. number
*
suivant la nomenclature
secondo la distinta base

5 Parts, dotted display

Parts with dotted display on the figure are only used for orientation of other parts

Technical Cover

Page 1 from 7

Material number: 4644.024.100



WENDEGETRIEBE /

Pos.	Information	Amendment number
	KUNDE:J.I.CASE USA	
	CUSTOMER:	
	IDENT-NR:L 129 912	
	CUSTOMER NO.:	
	PROJEKT-NR.:06021	
	PROJECT-NO.:	
	VEHICLE DATA:	
	VEHICLE DATA:	
	RADLADER 721	
	ARTIC-LOADER 721(XL-116)	
	FAHRZEUGMASSE: LEER: 12,49T	
	VEHICLE WEIGHT: EMPTY.....T0	
	VEHICLE WEIGHT: LOADED 16,23T	
	VEHICLE WEIGHT: LOADED.....T0	
	MOTOR: CASE 6T-830 33% TR	
	ENGINE/MAKE/TYPER:	
	MOTORLEISTUNG: P= 97 KW BEI N=1800 UPM	
	ENGINE POWER:	
	ENGINE PERFORM.ACC.TO TRACTIVE EFFORT CALCUL.	
	ENGINE PERFORM.ACC.TO TRACTIVE EFFORT CALCUL.	
	DREHMOMENT: T= 570 NM BEI N=1700 UPM	
	INPUT TORQUE:	
	REIFEN: 20.5-25 L2	
	TIRES:	
	R.DYN. 0,698 M	
	AXLE RATIO: I TOTAL =	
	AXLE RATIO: I TOTAL=	
	MAX.SPEED: 37,0 KM/H	
	MAX.SPEED:	
	PRODUCT DESCRIPTION:	
	PRODUCT DESCRIPTION	
	TYP: 4WG-200(500/4)	
	BEVEL SIDE GEAR SPLINE: N 38X1,25	

Technical Cover

Page 2 from 7

Material number: 4644.024.100



WENDEGETRIEBE /

Pos.	Information	Amendment number
	RATIOS TOTAL:	
	RATIOS:	
	FORWARD:	
	FORWARD:	
	1.G=4,275 2.G=2,533 3.G=1,238 4.G=0,713	
	REVERSE:	
	REVERSE:	
	1.G=4,275 2.G=2,533 3.G=1,238	
	HIGH GEARING: YES	
	HIGH GEARING: YES	
	KUPPLUNG: KV+KR 16 REIBFL. WG-180	
	COUPLINGS:	
	INPUT:	
	INPUT:	
	DIRECT FLANGE ATTACHMENT	
	DIRECT FLANGE ATTACHMENT	
	DIAPHRAGM	
	DIAPHRAGM	
	SAE-CONNECTION: 3	
	SAE-CONNECTION:	
	OUTPUT:	
	OUTPUT:	
	FLANGE: LEFT/DANA SPICER 1550 W	
	FLANGE: LEFT	
	FLANSCH: RE.DA.SP.1550 M	
	FLANGE: RIGHT	
	POWER TAKE-OFF(P.T.O):	
	P.T.O.:	
	COAX.ENGINE DRIV:FLANGE SAE-C 2/4 HOLE	
	COAX.ENGINE DRIV:FLANGE SAE-C 2/4-HOLE	
	COAX.ENGINE DRIV:SPL.SAE-C/12/24 DP/14T	
	COAX.ENGINE DRIV:SHAFT SAE-C/12/24DP/14T	
	SEITL.MOTORABH.: OHNE	

Technical Cover

Page 3 from 7

Material number: 4644.024.100



WENDEGETRIEBE /

Pos.	Information	Amendment number
	LATERAL/ENGINE DRIVEN:WITHOUT	
	REVERSING GEAR DRIVEN: NO	
	REVERSING GEAR DRIVEN: NO	
	TURB.DRIVEN NO	
	TURB.DRIVEN: NO	
	CONTR.MECH.: NO	
	CONTR.MECH.: NO	
	GEAR SELECTION:	
	GEAR SELECTION:	
	CODE: G	
	CODE:	
	ELECTRICAL	
	ELECTRICAL:	
	MOUNTING POSIT.: LATERAL AT THE GEARBOX ABOVE	
	MOUNTING POSIT.:LATERAL AT THE GEARBOX ABOVE	
	VOLTAGE: 24 VOLT	
	VOLTAGE:	
	SOLENOID VALVES: 2-POLE	
	SOLENOID VALVES: 2-POLE	
	OPERATING PRES.: 16+2 BAR	
	OPERATING PRESSURE:	
	DRUCKSTEUERUNG: 2,5/4-13 BAR NR.5	
	PRESSURE CONTROLL:2,5/4-13 BAR NR5	
	CONNENCTION WIRING:CANNON SCREW CONNECTION	
	CONNECTION WIRING:CANNON SCREW CONNECTION	
	OIL INLET TO CONTROL:GEAR BOX	
	OIL INLET TO CONTROL:GEAR BOX	
	REPLENISHING OIL:WITH	
	REPLENISHING OIL:WITH	
	KONTR.SCHALTER: OHNE	
	CONTROL SWITCH: WITHOUT	
	CONVERTER LOCK-UP CONTROL: WITHOUT	
	CONVERTER LOCK-UP CONTROL: WITHOUT	



Pos.	Information	Amendment number
	2-ST.DR.STEUERV.:MIT/K1	
	DOUBLE PRESSURE CONTROL VALVE: WITH	
	SPEICHERVENTIL: MIT	
	ACCUMULATOR VALVE:WITH	
	PRESS.CUT-OFF: WITHOUT	
	PRESS.CUT-OFF: WITHOUT	
	EINSTELLVORSCHRIFT: 4644 700 471 IN 467	
	SETTING SPECIFICATION	
	SICHERHEITSSCHALTUNG: JA	
	SAFATY GEAR SHIFT SYSTEM:YES	
	GEAR SELECTOR: WITHOUT	
	GEAR SELECTOR: WITHOUT	
	ELEKTRON.BAUSTEIN: OHNE	
	ELECTRON.MODULE: WITHOUT	
	WIRING: WITHOUT	
	WIRING: WITHOUT	
	INDUCTIVE SENSOR, OUTPUT SIDE: WITH	
	INDUCTIVE SENSOR,OUTPUT SIDE:WITH	
	PARKING BRAKE: WITHOUT	
	PARKING BRAKE: WITHOUT	
	TROMMELBREMSE: OHNE	
	DRUM BRAKE: WITHOUT	
	TYP/GROESSE: OHNE	
	TYPE/SIZE	
	SPEEDOMETER: WITHOUT	
	SPEEDOMETER: WITHOUT	
	OIL DIPSTICK: WITHOUT	
	OIL DIPSTICK: WITHOUT	
	AXLE DISCONNECT: NO	
	AXLE DISCONNECT: WITHOUT	
	ZF-FILTER: INTEGRATED	
	ZF-FILTER: INTEGRATED	
	T-CONVERTER:	



Pos.	Information	Amendment number
	TORQUE CONVERTER:	
	BEZEICHNUNG: 30 H 130	
	MARKING:	
	GRUNDKURVE: 02 G 053 54	
	CHARACTERISTICS:	
	ANFAHRWANDLUNG: 2,86	
	START.TORQUE RAT.:	
	STATOR FREEWHEEL:WITHOUT	
	STATOR FREEWHEEL:WITHOUT	
	BREAK FREEWHEEL: WITHOUT	
	BRAKE FREEWHEEL: WITHOUT	
	INERTIA TORQUE: J=0,15 KGM2	
	INERTIA TORQUE:	
	LOCK-UP CLUTCH: WITHOUT	
	LOCK-UP CLUTCH: WITHOUT	
	GROUND DRIV.PUMP: WITHOUT	
	GROUND DRIV.PUMP: WITHOUT	
	SECONDARY PUMP: WITHOUT	
	SECONDARY PUMP: WITHOUT	
	AXLE DIFFERENTIAL: WITHOUT	
	AXLE DIFFERENTIAL: WITHOUT	
	DAEMPFUNGSPAKET: ABTRIEBSKETTE	
	NOISE ABSORPTION PACKAGE: OUTPUT CHAIN	
	INCH-VALVE: WITHOUT	
	INCH-VALVE: WITHOUT	
	DRAWINGS:	
	DRAWINGS:	
	SCHNITT:AEHN:4644 004 043(R)	
	SECT.DRAWING:SIMILAR	
	EINBAU: 4644 624 100(0)	
	INST.DRAWING:	
	EINBAU: 6006 630 004(0)	
	INST.DRAWING:	



Pos.	Information	Amendment number
	MOTOR-ANBAU: 4644 500 487(2)	
	ENGINE CONN.:	
	TRANSM.DIAGR. SEE INSTALL.DRAWING	
	TRANSM.DIAGR:S.INSTALLATION DRAWING	
	OEL-SCHEMA: 4644 700 589 IN 587	
	OIL-DIAGRAM:	
	ANSCHL.PLAN: 6029 700 291()	
	WIRING DIAGRAM:	
	STROMLAUFPL.:6006 700 359()FS	
	WIRING DIAGRAM:	
	OIL PIPI:	
	OIL PIPE:	
	CALCULATIONS:	
	CALCULATIONS:	
	ZUGKRAFT: 4644 709 107/108	
	TR.FORCE DIAGRAM:	
	TORQUE CONV:	
	TORQUE CONVERTER:	
	PRUEFANWEISUNG: 4644 760 153(3)	
	TEST SPECIFICATION:	
	DRAWING FOR ELECTR.PARTS	
	DRAWING FOR ELECTR.PARTS	
	EINBAU: 6009 636 002()	
	INST.DRAWING:	
	OIL CAPACITY:	
	OIL CAPACITY:	
	PHOSHATESTER: NO	
	PHOSPHATESTER: NO	
	MAIN TRANSMISSION: CA. 28,00L	
	MAIN TRANSMISSION:	
	OIL FILLING: NO	
	OIL FILLING: NO	
	OIL GRADE:SPECIFICATION TE ML 03 / TRANSMISSION	

Technical Cover

Page 7 from 7

Material number: 4644.024.100



WENDEGETRIEBE /

Pos.	Information	Amendment number
	OIL GRADE:SPECIFICATION TE ML 03 TRANSMISSION	
	WIGHT TOTAL: 377KG	
	WEIGHT/MASS (DRY):	
	COLOUR: 5 BLACK RAL 9005	
	COLOR:	
	PACKING:	
	PACKING:	
	LOCATION OF CABIN:	
	LOCATION OF CABIN:	
	FAHRSTAND 1	
	1 CABIN	
	MISCELLANEOUS/REMARKS:	
	MISCELLANEOUS/REMARKS	
	MITNEHMER SAE-C WIRD LOSE MITGELIEFERT	
	DRIVER SAE-C IS SEND AS LOOSE PART	
	KUNDE VERWENDET CLARK-ODER SWF-FAHRSCHALTER	
	*	

Assembly group overview

Page 1 from 2



WENDEGETRIEBE /

Material number: 4644.024.100

Picture	Pos.	Material number	Name	Quantity	Amend. no.	Techn. Info.
464413002000	270	4644.130.238	ENGINE CONNECTION	1		
416603013000	500	4166.030.130	CONVERTER	1		
464410201600	30	4644.102.114	INPUT	1		
	10	4644.101.169	TRANSMISSION HOUSING	1		
	20	4644.101.450	TRANSMISSION HOUSING	1		
464410821400	150	4644.108.214	COUNTERSHAFT	1		
464415122200	350	4644.151.222	COUPLING	1		
464415102102	355	4644.151.520	COUPLING	1		
464415202401	360	4644.152.114	COUPLING	1		
464415202402	365	4644.152.455	CLUTCH	1		
464415311100	370	4644.153.111	COUPLING	1		
464415343900	375	4644.153.439	CLUTCH	1		
	50	4644.103.094	OUTPUT	1		
	60	4644.103.474	OUTPUT	1		
464410900400	170	4644.109.004	PARKING BRAKE	1		
464410901602	180	4644.109.430	PARKING BRAKE	1		
	380	4644.154.205	POWER TAKE-OFF	1		
464415500400	400	4644.155.019	POWER TAKE-OFF	1		
464410630000	110	4644.106.300	SHIFT SYSTEM	1		

Assembly group overview

Page 2 from 2



WENDEGETRIEBE /

Material number: 4644.024.100

Picture	Pos.	Material number	Name	Quantity	Amend. no.	Techn. Info.
464415901600	120	4644.159.301	SHIFT SYSTEM	1		
464413800700	330	4644.138.010	FILTER	1		
464412020100	190	4644.120.201	PRESSURE REGULATOR	1		
464412520200	250	4644.125.202	INDUCTIVE SENSOR	1		
464412540700	260	4644.125.407	INDUCTIVE SENSOR	1		
464410701001	130	4644.107.006	SPEEDOMETER	1		
464410747100	140	4644.107.471	SPEEDOMETER	1		
464413110200	290	4644.131.016	FILLER NOZZLE	1		
464413110100	300	4644.131.471	FILLER NOZZLE	1		
464412102000	210	4644.121.226	OIL PIPE	1		
464419900100	490	4644.199.841	LOOSE PARTS	1		

Picture

Page 1 from 1

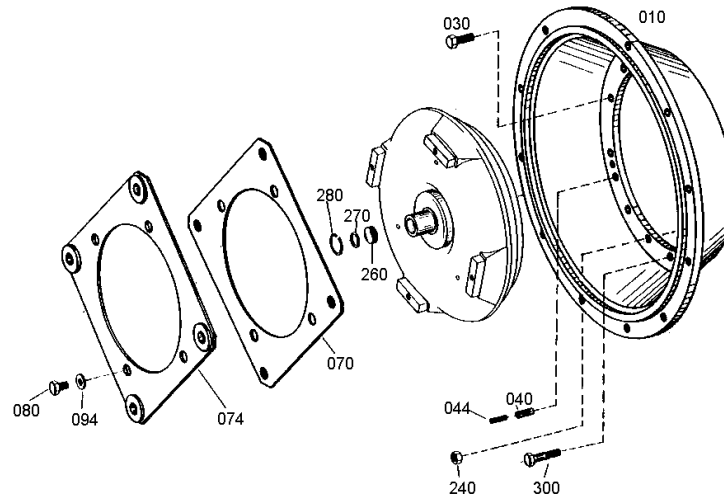
Material number: 4644.024.100

Picture: 464413002000

Material-assembly-group-no: 4644.130.238



WENDEGETRIEBE /
ENGINE CONNECTION



Picture

Page 1 from 1

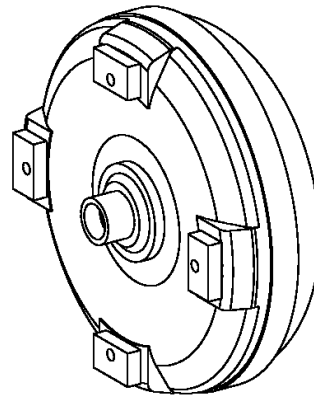
Material number: 4644.024.100

Picture: 416603013000

Material-assembly-group-no: 4166.030.130



WENDEGETRIEBE /
CONVERTER



010

Picture

Page 1 from 1

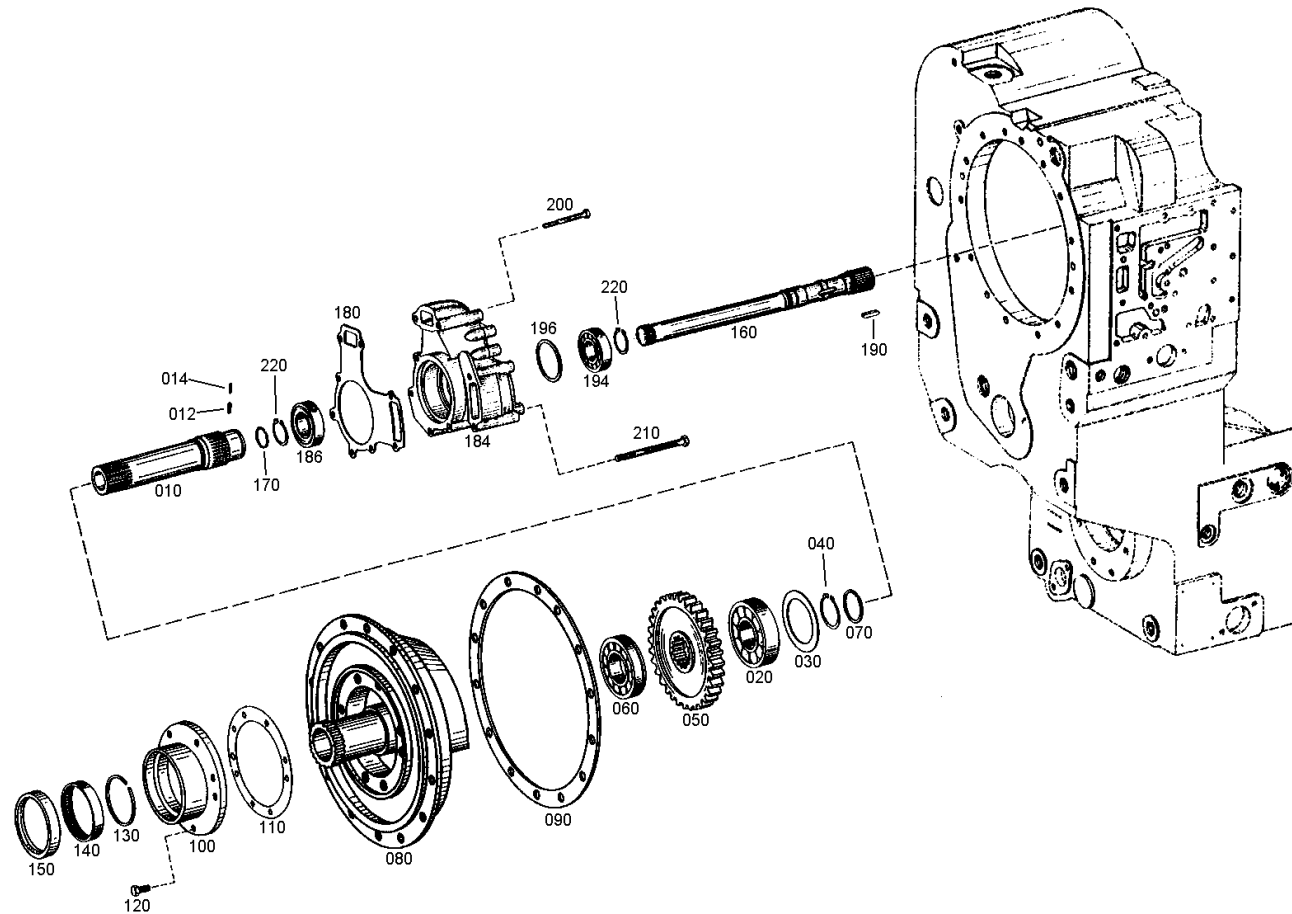
Material number: 4644.024.100

Picture: 464410201600

Material-assembly-group-no: 4644.102.114



WENDEGETRIEBE /
INPUT



Picture

Page 1 from 1

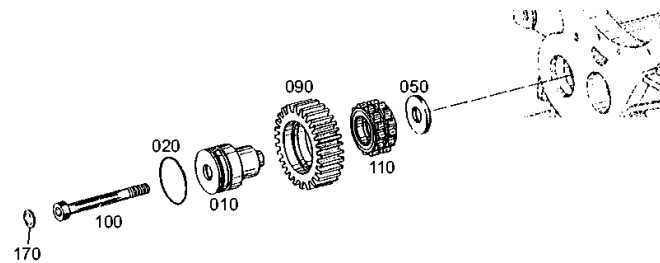
Material number: 4644.024.100

Picture: 464410821400

Material-assembly-group-no: 4644.108.214



WENDEGETRIEBE /
COUNTERSHAFT



Picture

Page 1 from 1

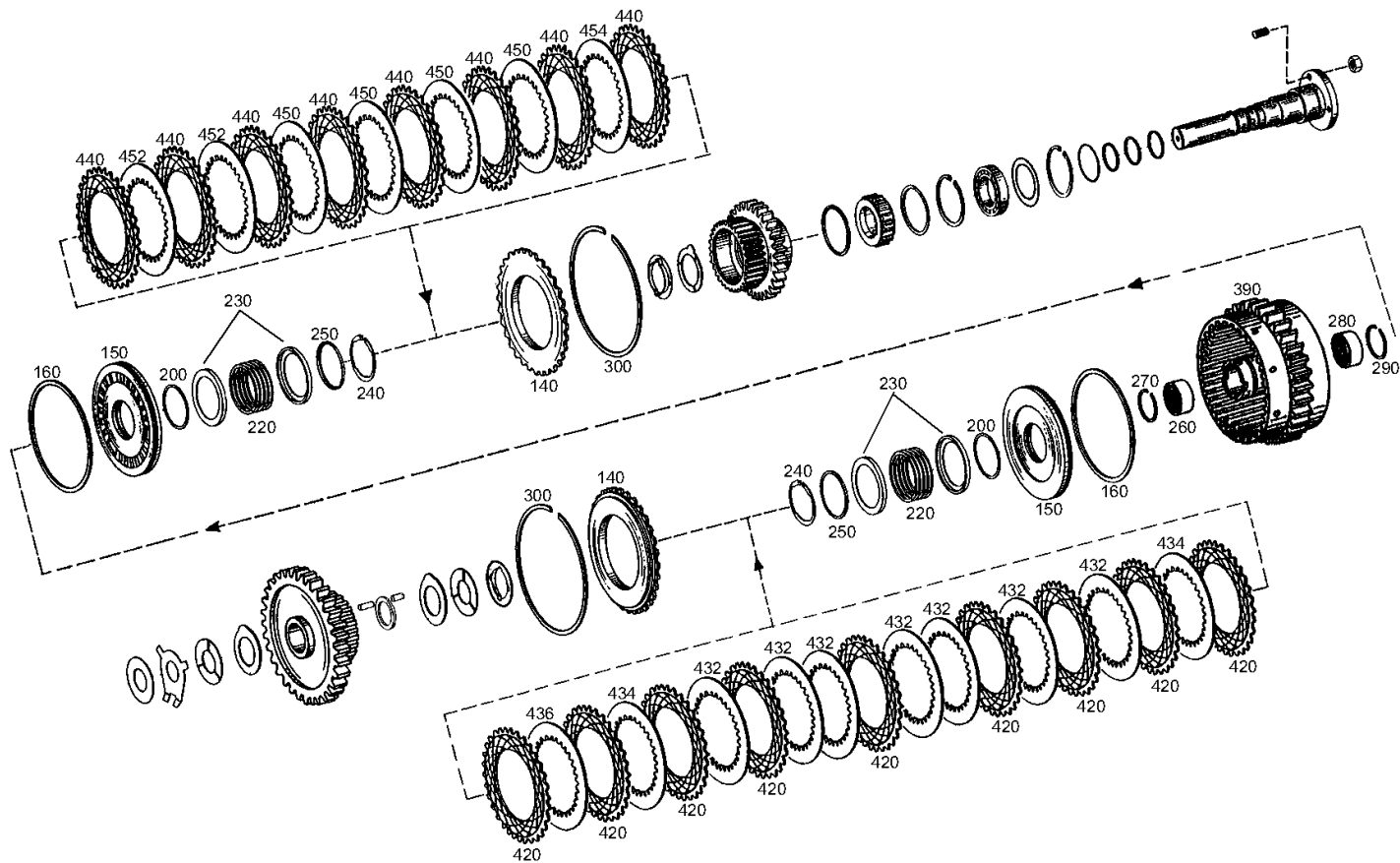
Material number: 4644.024.100

Picture: 464415122200

Material-assembly-group-no: 4644.151.222



WENDEGETRIEBE /
COUPLING



Picture

Page 1 from 1

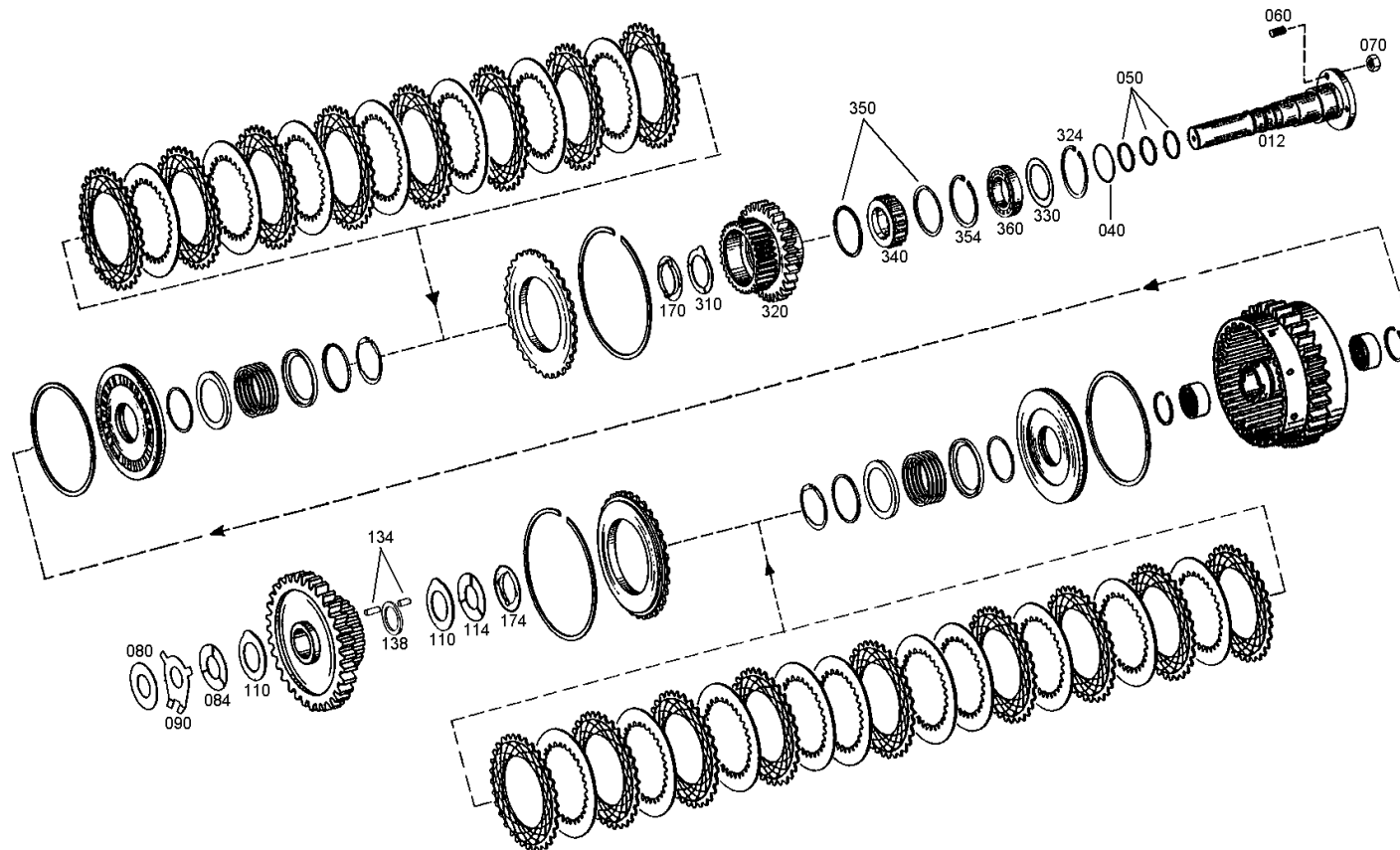
Material number: 4644.024.100

Picture: 464415102102

Material-assembly-group-no: 4644.151.520



WENDEGETRIEBE /
COUPLING



Picture

Page 1 from 1

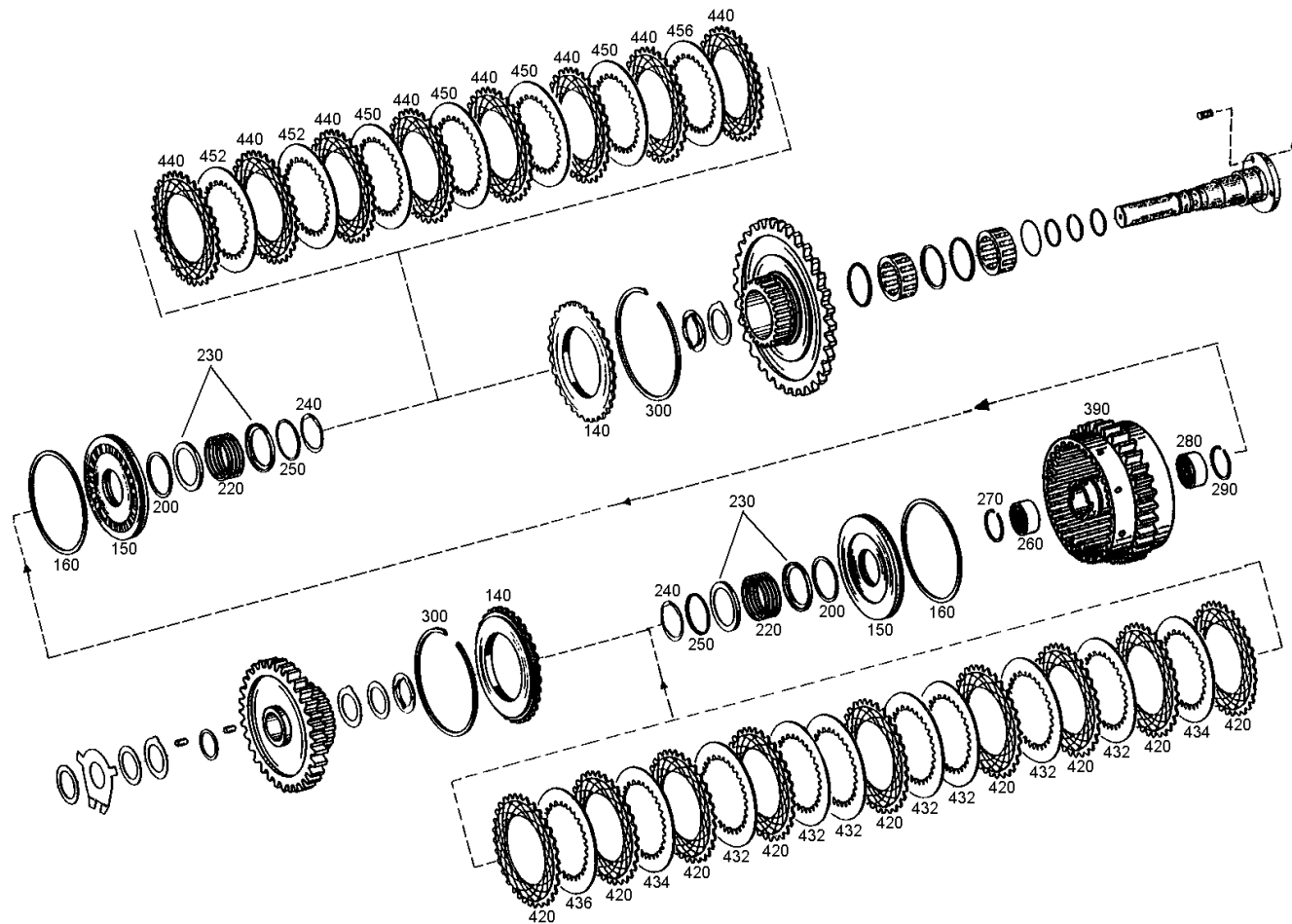
Material number: 4644.024.100

Picture: 464415202401

Material-assembly-group-no: 4644.152.114



WENDEGETRIEBE /
COUPLING



Picture

Page 1 from 1

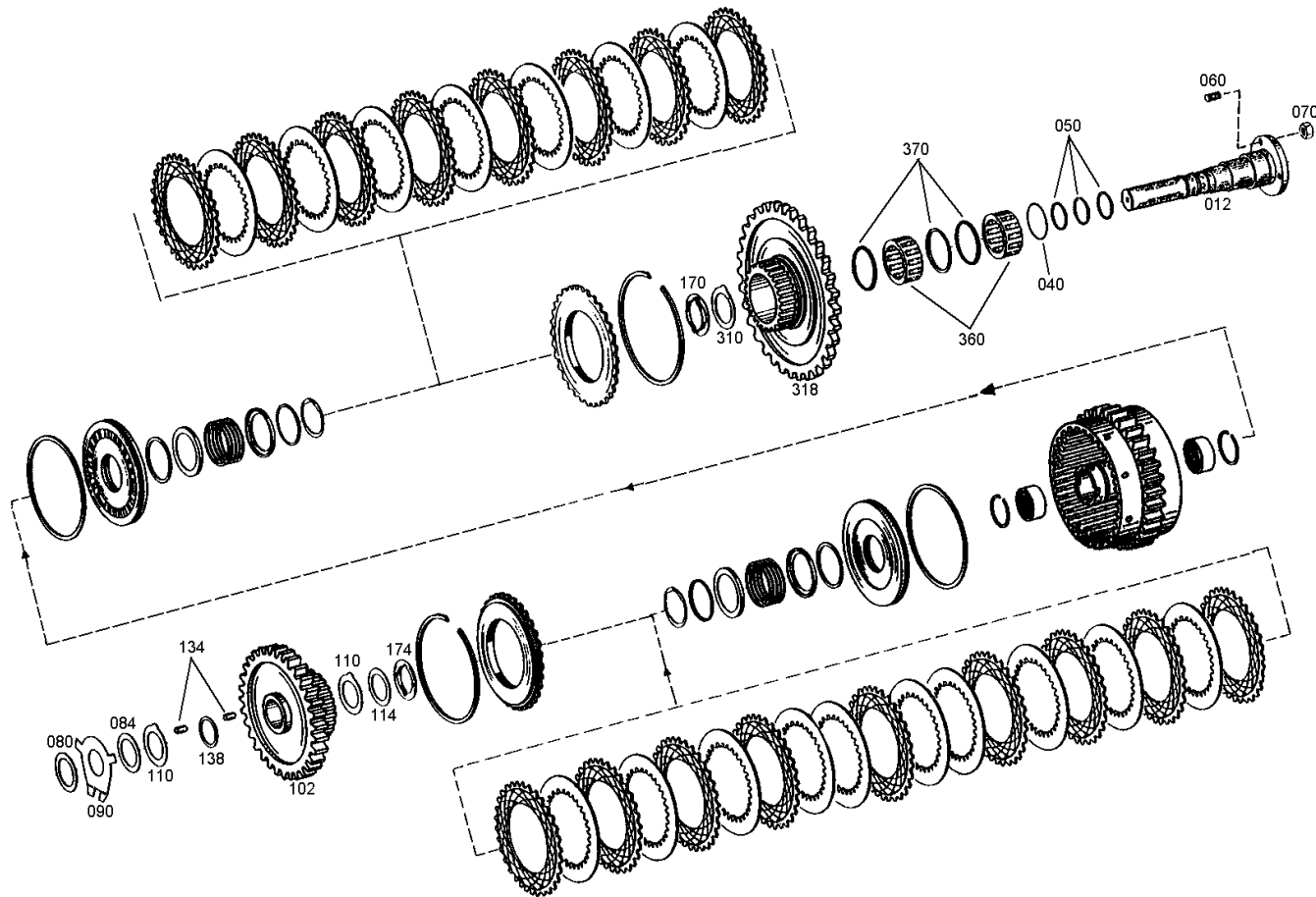
Material number: 4644.024.100

Picture: 464415202402

Material-assembly-group-no: 4644.152.455



WENDEGETRIEBE /
CLUTCH



Picture

Page 1 from 1

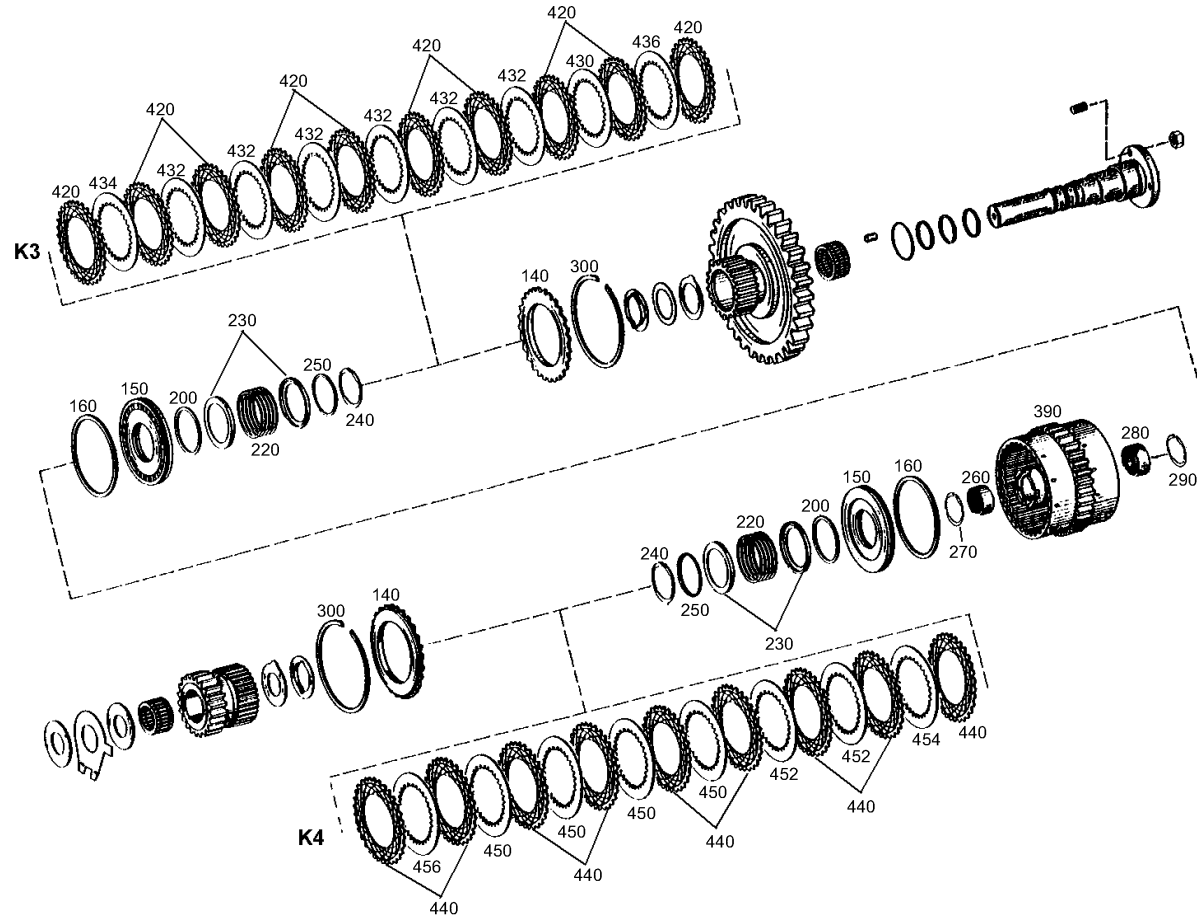
Material number: 4644.024.100

Picture: 464415311100

Material-assembly-group-no: 4644.153.111



WENDEGETRIEBE /
COUPLING



Picture

Page 1 from 1

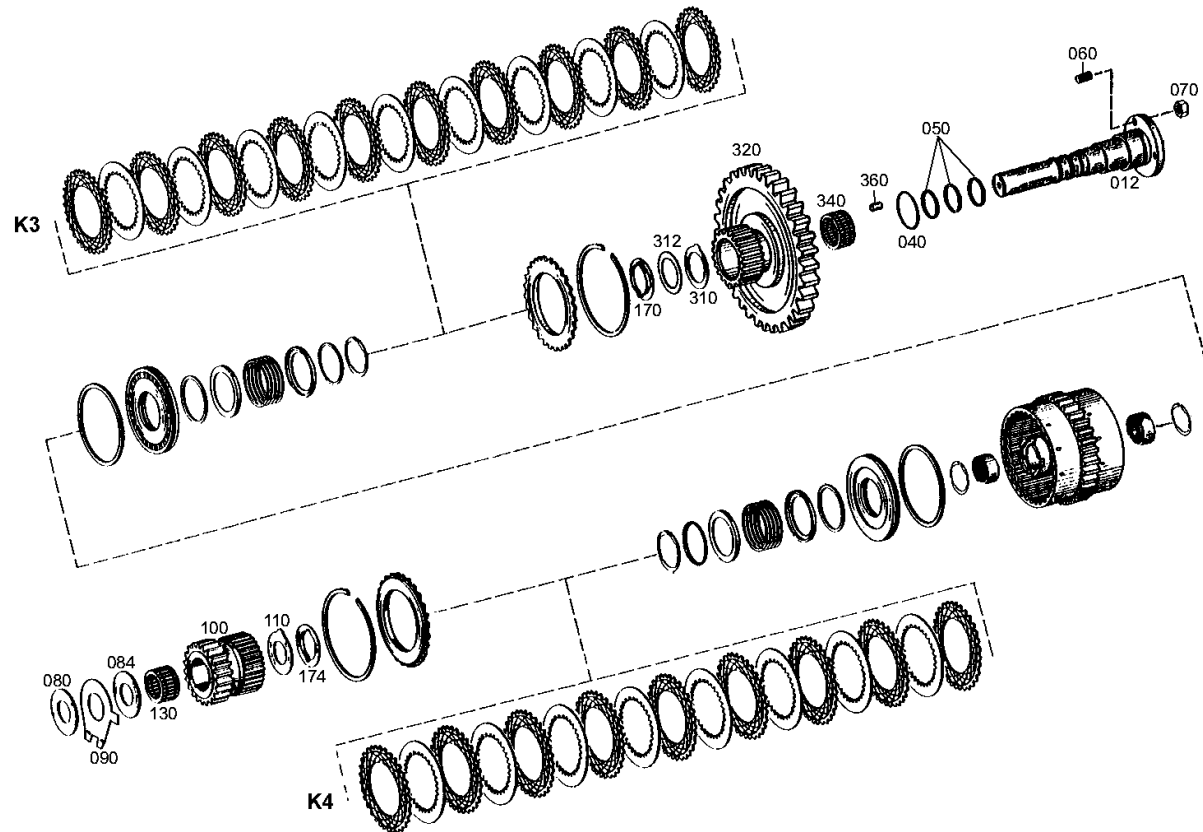
Material number: 4644.024.100

Picture: 464415343900

Material-assembly-group-no: 4644.153.439



WENDEGETRIEBE /
CLUTCH



Picture

Page 1 from 1

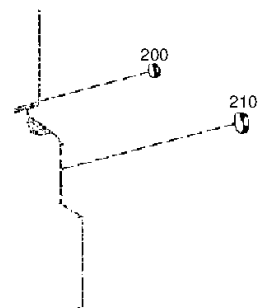
Material number: 4644.024.100

Picture: 464410900400

Material-assembly-group-no: 4644.109.004



WENDEGETRIEBE /
PARKING BRAKE



Picture

Page 1 from 1

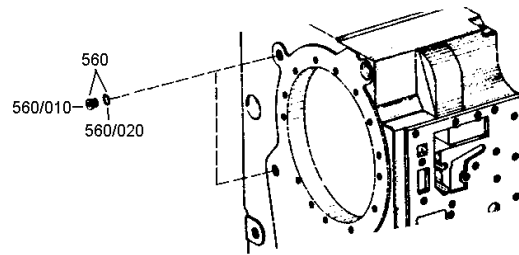
Material number: 4644.024.100

Picture: 464415500400

Material-assembly-group-no: 4644.155.019



WENDEGETRIEBE /
POWER TAKE-OFF



Picture

Page 1 from 1

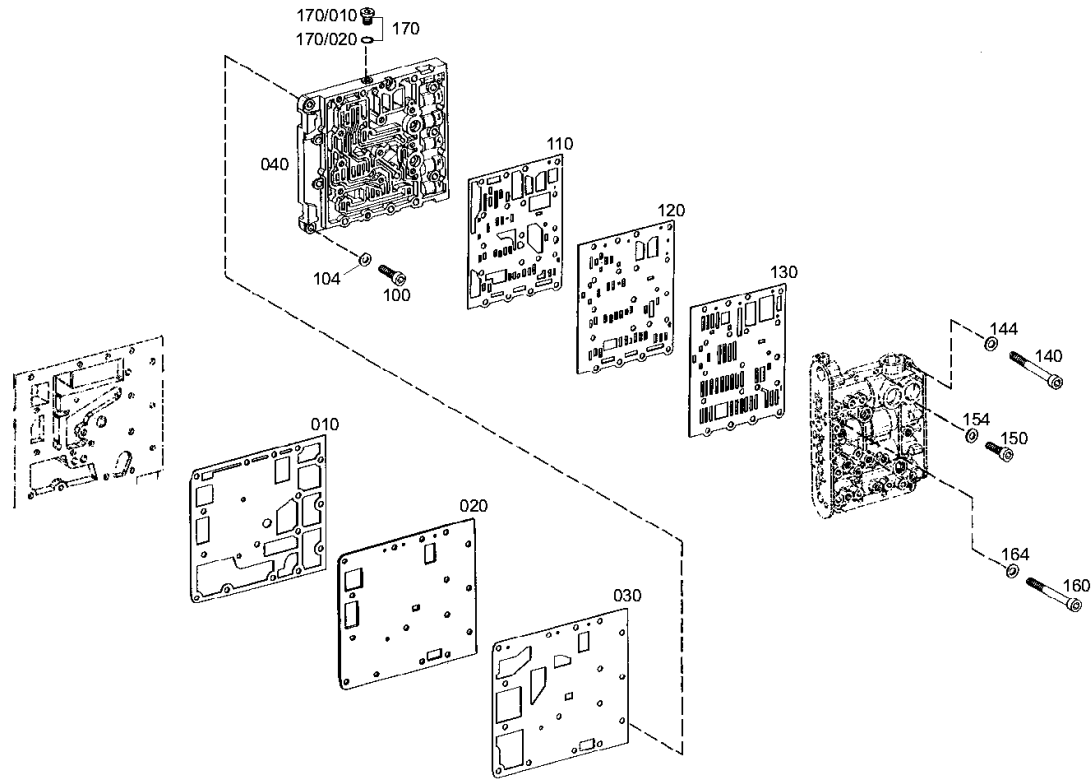
Material number: 4644.024.100

Picture: 464410630000

Material-assembly-group-no: 4644.106.300



WENDEGETRIEBE /
SHIFT SYSTEM



Picture

Page 1 from 1

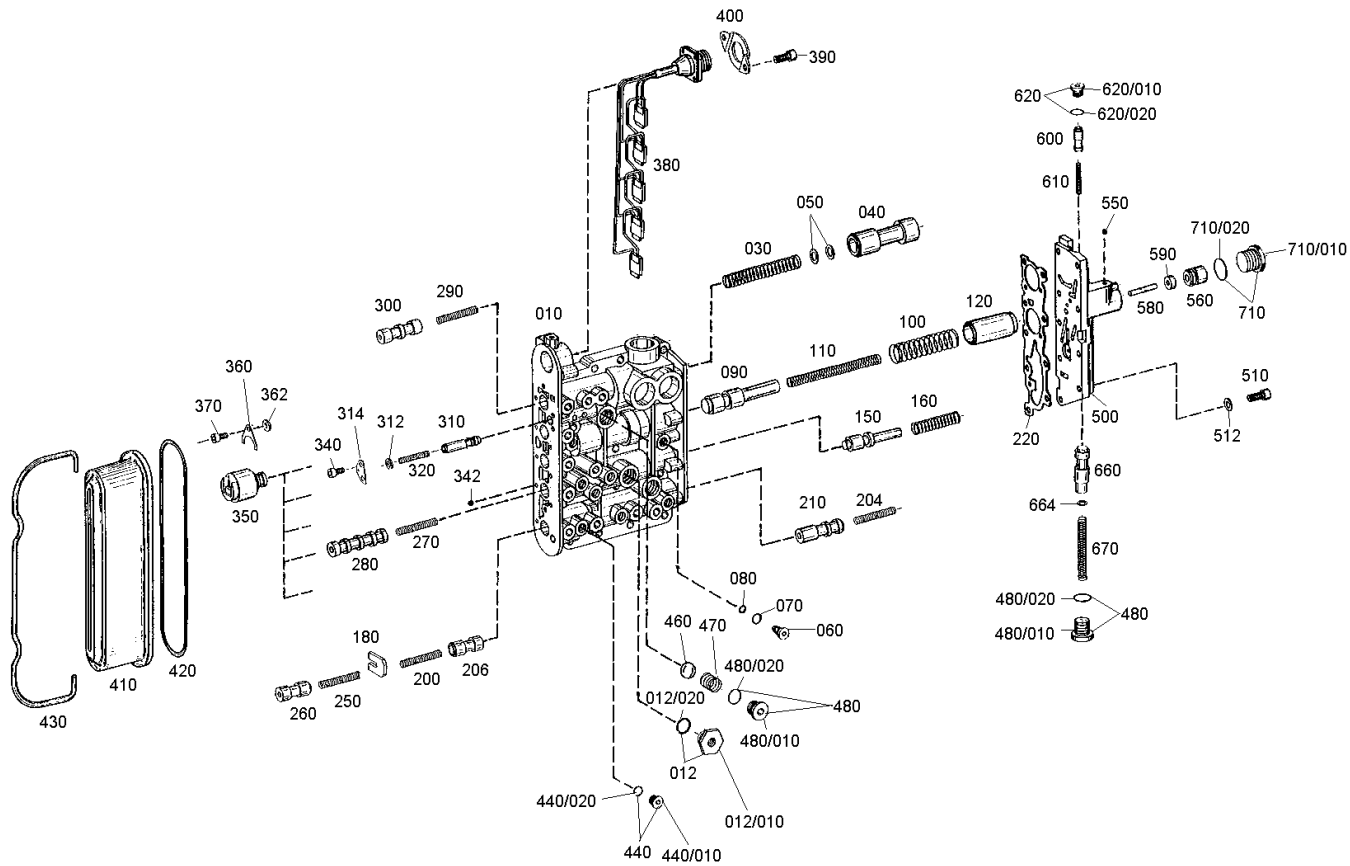
Material number: 4644.024.100

Picture: 464415901600

Material-assembly-group-no: 4644.159.301



WENDEGETRIEBE /
SHIFT SYSTEM



Picture

Page 1 from 1

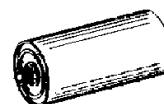
Material number: 4644.024.100

Picture: 464413800700

Material-assembly-group-no: 4644.138.010



WENDEGETRIEBE /
FILTER



010

Picture

Page 1 from 1

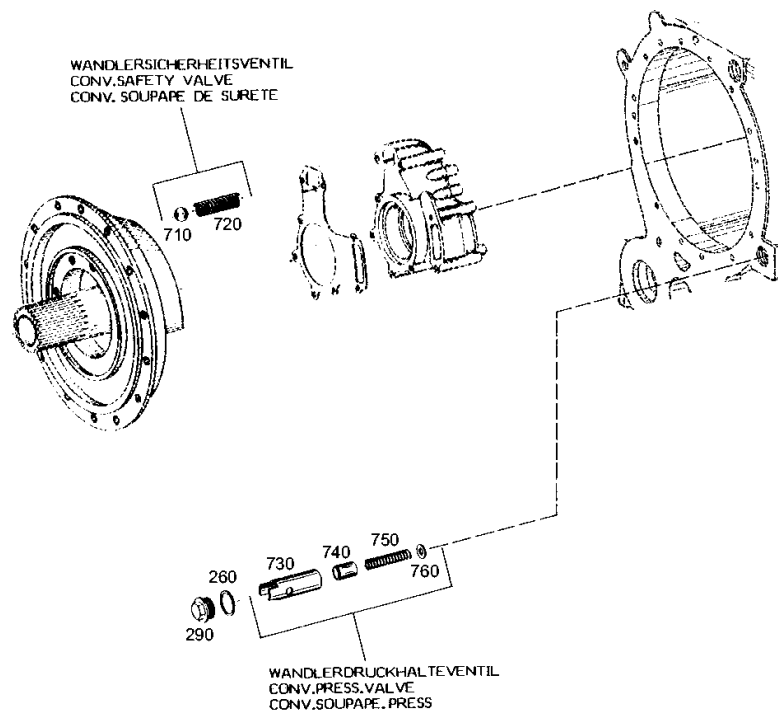
Material number: 4644.024.100

Picture: 464412020100

Material-assembly-group-no: 4644.120.201



WENDEGETRIEBE /
PRESSURE REGULATOR



Picture

Page 1 from 1

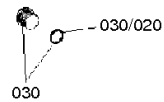
Material number: 4644.024.100

Picture: 464412520200

Material-assembly-group-no: 4644.125.202



WENDEGETRIEBE /
INDUCTIVE SENSOR



Picture

Page 1 from 1

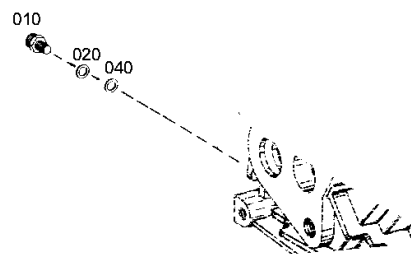
Material number: 4644.024.100

Picture: 464412540700

Material-assembly-group-no: 4644.125.407



WENDEGETRIEBE /
INDUCTIVE SENSOR



Picture

Page 1 from 1

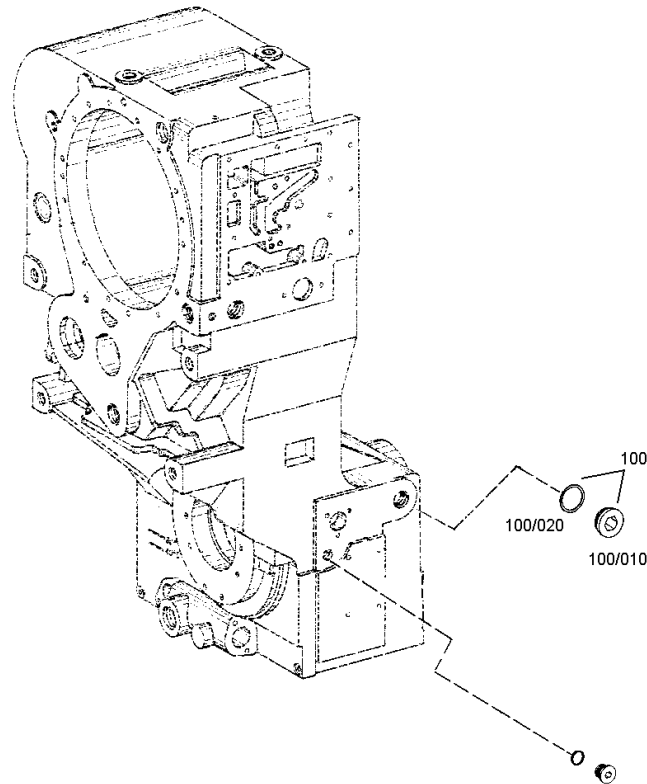
Material number: 4644.024.100

Picture: 464410701001

Material-assembly-group-no: 4644.107.006



WENDEGETRIEBE /
SPEEDOMETER



Picture

Page 1 from 1

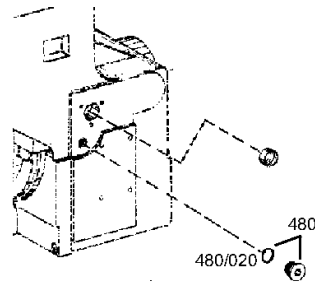
Material number: 4644.024.100

Picture: 464410747100

Material-assembly-group-no: 4644.107.471



WENDEGETRIEBE /
SPEEDOMETER



Picture

Page 1 from 1

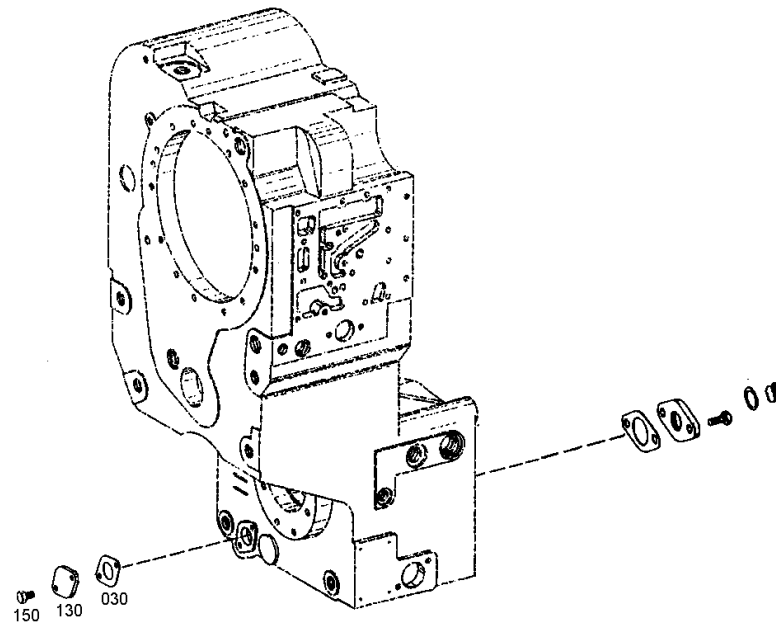
Material number: 4644.024.100

Picture: 464413110200

Material-assembly-group-no: 4644.131.016



WENDEGETRIEBE /
FILLER NOZZLE



Picture

Page 1 from 1

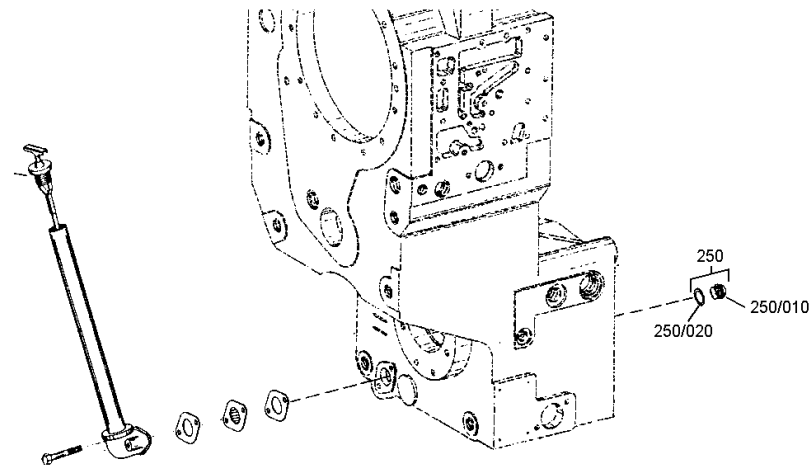
Material number: 4644.024.100

Picture: 464413110100

Material-assembly-group-no: 4644.131.471



WENDEGETRIEBE /
FILLER NOZZLE



Picture

Page 1 from 1

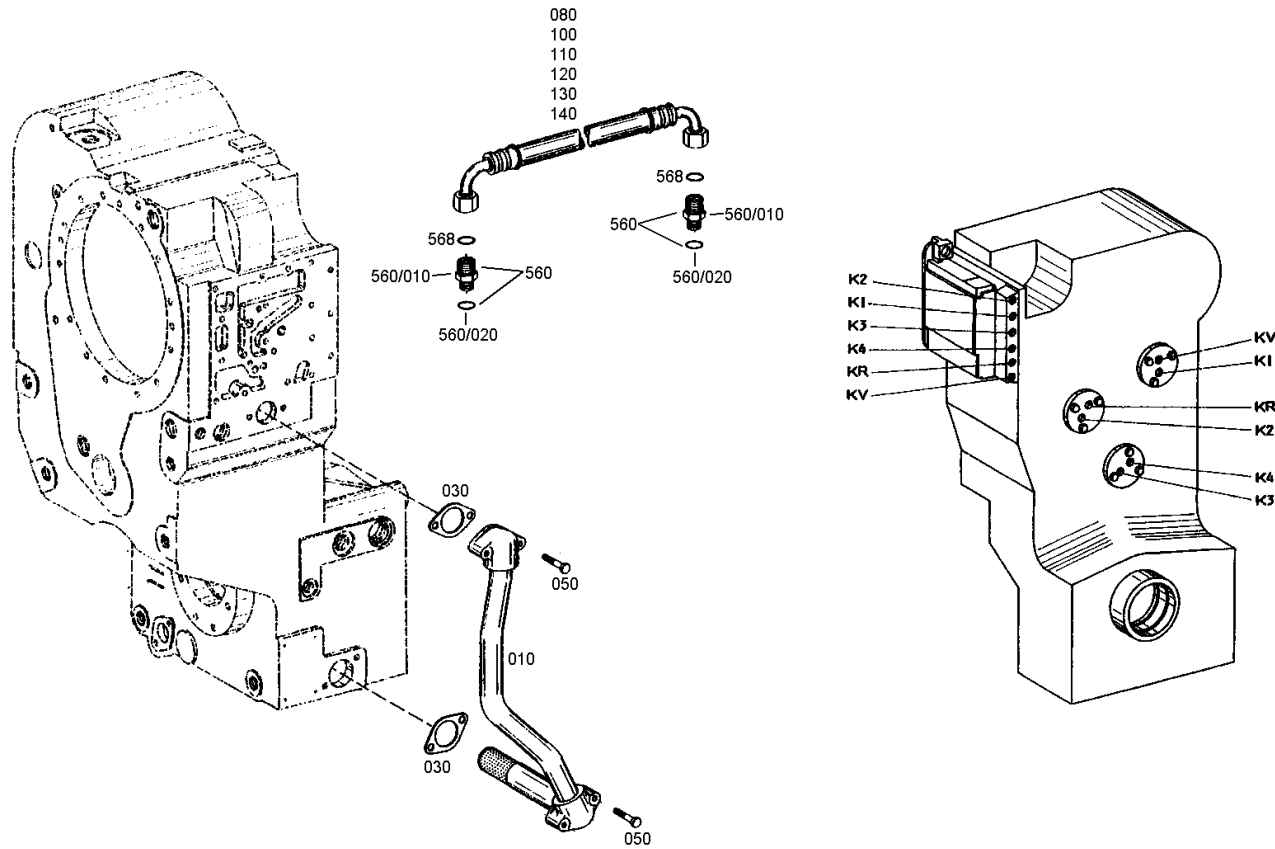
Material number: 4644.024.100

Picture: 464412102000

Material-assembly-group-no: 4644.121.226



WENDEGETRIEBE /
OIL PIPE



Picture

Page 1 from 1

Material number: 4644.024.100

Picture: 464419900100

Material-assembly-group-no: 4644.199.841



WENDEGETRIEBE /
LOOSE PARTS



340