



# Spare Parts Catalog

4 WG 208 B

Material number: 4644.024.195

Current date: 01.07.2021

ZF Friedrichshafen AG  
Hauptverwaltung  
80038 Friedrichshafen  
Deutschland

Telefon: +49 7541 77-0

Telefax: +49 7541 77-908000

[www.zf.com](http://www.zf.com)

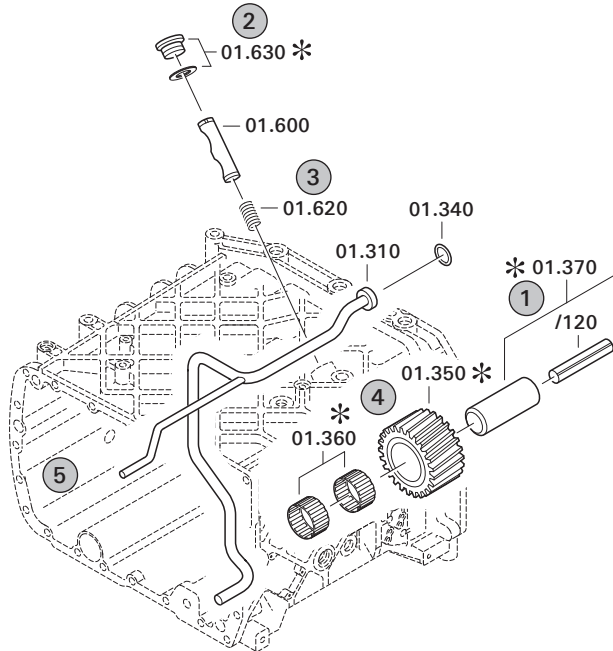
zuständiges Werk:  
Passau

# Notes relating to the spare parts catalog

## Setup of the spare parts catalog

- Cover sheet
- Technical Cover (only in SDM print)
- Overview of figures
- Figure
- Associated parts list
- Next figure
- Associated parts list
- ...

## Figure and parts list



## Overview of figures

Bildtafel Figure	Sachnummer Product number	Benennung (Description)	Technische Info Technical info	Description (Benennung)	Menge Quantity	Einheit Unit
068.08.17	1316.170.001	AUSLEGER	WL	SHIFT TURRET	1	Stk
068.08.06	1316.170.031	DECKEL	WL*H-H *VM	COVER	1	Stk
068.08.14	1316.170.808	DECKEL	WL*AUSL+GEH*H-H*HF160N	COVER	1	Stk
08	1316.170.441	ANSCHLUSSTEILE	WL*NG-VORB*RG-SCHL*168N *BAJONETT	CONNECTING PARTS	1	Stk

The "gap" indicates that there is no separate graphics panel (poster) for this assembly  
The parts of this assembly are shown with the same mid-section number on the figure

### 1 Positions and subpositions

Pos.	Sachnummer Product number	Benennung (Description)	Technische Info Technical info	Description (Benennung)	Menge Quantity	Einheit Unit
0370	1315.201.054	RUECKLAUFBOLZEN	KPL.16S151*SG*L= 79	REV.IDLER SHAFT	1	Stk
/0120	0631.329.293	SPANNSTIFT		SLOT. PIN	1	Stk

Positions marked with "/" are the individual items of a completion  
For example: Position 0370 contains a centering pin with the position /0120

### 2 Combinations with standardized parts

Pos.	Sachnummer Product number	Benennung (Description)	Technische Info Technical info	Description (Benennung)	Menge Quantity	Einheit Unit
0630		VERSCHL.SCHR.		SCREW PLUG	1	Stk
	0636.302.067	VERSCHL.SCHR.		SCREW PLUG	1	Stk
	0634.801.249	DICHTRING	A 26 X 31	SEALING RING	1	Stk

The parts list shows the components included in the combination of standardized parts

### 3 Depiction of position/item number on the figure and in the parts list

01.620 - on the figure      01 relates to the assembly in which the position is included. Due to program-related reasons, it is shown on the figure.

0620 - in the parts list

Pos.	Sachnummer Product number	Benennung (Description)	Technische Info Technical info	Description (Benennung)	Menge Quantity	Einheit Unit
0620	0732.040.736	DRUCKFEDER		COMPRESSION SPRING	1	Stk

### 4 \*-Positions

Positions marked with an \* are optional i.e. inclusion in the parts list is not mandatory.  
The following note is shown on the figure

je nach Stücklistenausführung  
depending on spec. number  
\*  
suivant la nomenclature  
secondo la distinta base

### 5 Parts, dotted display

Parts with dotted display on the figure are only used for orientation of other parts

# Technical Cover

Page 1 from 3

Material number: 4644.024.195



4 WG 208 B /

Pos.	Information	Amendment number
	CUSTOMER: JOHN DEERE (CHINA)	
	1.PERFORMANCE CALC.: 4644.711.818	
	VEHICLE DESIGNATION: RADLADER 5 MT	
	WEIGHT EMPTY: 18,000 TO	
	ENGINE: JOHN DEERE 6068	
	ENGINE POWER: 167,7 KW	
	SPEED: 1.800 U/MIN	
	INPUT TORQUE: 1.040 NM	
	SPEED: 1.400 U/MIN	
	TYRE SIZE: 23,5-R25	
	TYRE RADIUS DYN.: 0,769 M	
	AXLE RATIO: 22,850	
	MAX. SPEED: 40,2 KM/H	
	TRANSMISSION TYPE 4WG_208B	
	DROP CENTER DISTANCE: 555 MM	
	VEHICLE: LOADER	
	1. GEAR FORWARD: 4,862	
	2. GEAR FORWARD: 2,605	
	3. GEAR FORWARD: 1,126	
	4. GEAR FORWARD: 0,626	
	1. GEAR REVERSE: 4,862	
	2. GEAR REVERSE: 2,605	
	3. GEAR REVERSE: 1,126	
	CONVERTER: W 300	
	CONVERTER PART NR.: 030 H 285	
	LOCK-UP CLUTCH: WITHOUT	
	STALL TORQUE RATIO: 1,99	
	TORQUE CONVERTER ABSORP 721NM	
	STATOR FREEWHEEL: WITHOUT	
	ENGINE INPUT: DIRECT MOUNTED TO ENGINE	
	ENGINE: CUMMINS	
	ENGINE-CONNECTION: 4644500382	
	OUTPUT: STANDARD	

# Technical Cover

Page 2 from 3

Material number: 4644.024.195



4 WG 208 B /

Pos.	Information	Amendment number
	OUTPUT CONVERTER SIDE: WITHOUT AXLE DISCONNECT	
	OUTPUT FLANGE CONVERTER MECH 7 C	
	OUTPUT PTO SIDE: WITH PARKING BRAKE	
	VERSION BRAKE: DRUM BRAKE	
	OUTPUT FLANGE PTO SIDE: MECH 7 C	
	POWER TAKE OFF: 2 PTO ENGINE-DEPENDENT	
	POWER TAKE OFF LEFT: ----	
	FLANGE LHS : SAE C 2/4 HOLE	
	DRIVER / PROFILE: SAE C 12/24 DP 14 T	
	POWER TAKE OFF RIGHT: ----	
	FLANGE RHS : SAE C 2/4 HOLE	
	DRIVER / PROFILE: SAE C 12/24 DP 14 T	
	GEAR CHANGE CONTROL: CODE_G	
	VOLTAGE: 24 VOLT	
	SETTING SPECIFICATION: 4644 700 681	
	INDUCTIVE SENSOR / INPU WITHOUT	
	INDUCTIVE SENSOR / OUTP WITH	
	SPEED CONTROL: CONNECTION VIA EST	
	OIL LEVEL TUBE: WITHOUT	
	OIL DIPSTICK: WITHOUT	
	FILTER INSTALLATION: DIRECT MOUNTED	
	EMERGENCY STEERING PUMP WITHOUT	
	OIL TEMPERATURE SENSOR: WITHOUT	
	ELECTRIC PARTS ORDER: INCLUDED IN SCOPE OF SUPPLY	
	SEPARATE ORDER: WITHOUT	
	GROUP LOOSE PARTS: 4644 183 106	
	CONTROL UNIT: EST 125	
	GEAR SELECTOR: WITHOUT	
	2ND GEAR SELECTOR: WITHOUT	
	DISPLAY: WITHOUT	
	LOAD SENSOR: WITHOUT	
	WIRING: WITHOUT	
	OIL CAPACITY TRANSM.: CA. 28 LITRE	

# Technical Cover

Page 3 from 3

Material number: 4644.024.195



4 WG 208 B /

Pos.	Information	Amendment number
	OIL FILLING TRANSM.: WITHOUT	
	OIL GRADE TRANSM.: TE- ML 03	
	PRIMER PAINT: YELLOW RAL 1006 (SPECIAL PRIMER AND TOP COATING FROM CU	
	DOCUMENTATION GEAR BOX: -----	
	SECTION DRAWING: 4644.024.146	
	INSTALLATION DRAWING: 4644.624.195	
	GEARBOX DIAGRAM: IN INSTALLATION DRAWING	
	OIL CIRCUIT DIAGRAM: 4644.700.684 IN 683	
	INSTALL. INSTRUCTIONS: 4644.700.711	
	DOCU. CONTROL UNIT: -----	
	DRAWING 6057 608 001	
	DRAWING GEAR SEL. 1: 6006 630 026	
	CONNECTION DIAGRAM: 6006 700 582	
	WIRING DIAGRAM: 6029 702 440	
	CONNECTION DIAGRAM: 6029 702 441	

# Assembly group overview

Page 1 from 2

Material number: 4644.024.195



4 WG 208 B /

Graphics	Pos.	Material number	Name	Quantity	Amend. no.	Techn. Info.
464413070250	270	4644.130.702	ENGINE CONNECTION	1		
416603019600	500	4166.030.196	CONVERTER	1		
464410213700	30	4644.102.137	INPUT	1		
464410124900	10	4644.101.249	TRANSMISSION HOUSING	1		
464410149100	20	4644.101.491	TRANSMISSION HOUSING	1		
464410823200	150	4644.108.232	COUNTERSHAFT	1		
464415110350	350	4644.151.103	COUPLING	1		
464415154700	355	4644.151.547	COUPLING	1		
464415213510	360	4644.152.135	COUPLING	1		
464415255400	365	4644.152.554	COUPLING	1		
464415312150	370	4644.153.121	COUPLING	1		
464415351100	375	4644.153.511	COUPLING	1		
464410310700	50	4644.103.126	OUTPUT	1		
464410348100	60	4644.103.481	OUTPUT	1		
464415408000	380	4644.154.080	POWER TAKE-OFF	1		
464415447600	390	4644.154.476	POWER TAKE-OFF	1		

# Assembly group overview

Page 2 from 2

Material number: 4644.024.195



4 WG 208 B /

Graphics	Pos.	Material number	Name	Quantity	Amend. no.	Techn. Info.
464415503100	400	4644.155.031	POWER TAKE-OFF	1		
464415542000	410	4644.155.420	POWER TAKE-OFF	1		
464410904001	170	4644.109.040	PARKING BRAKE	1		
464410947700	70	4644.109.477	PARKING BRAKE	1		
464410632500	110	4644.106.325	SHIFT SYSTEM	1		
464415934800	120	4644.159.348	SHIFT SYSTEM	1		
464413800800	330	4644.138.015	FILTER	1		
464412021300	190	4644.120.213	PRESSURE REGULATOR	1		
464412520200	250	4644.125.202	INDUCTIVE SENSOR	1		
464412548600	260	4644.125.486	INDUCTIVE SENSOR	1		
464413702200	310	4644.137.022	EMERGENCY STEERING PUMP	1		
464413102000	290	4644.131.020	FILLER NOZZLE	1		
464413141900	300	4644.131.419	FILLER NOZZLE	1		
464412115030	210	4644.121.150	OIL PIPE	1		
464418312800	490	4644.183.128	LOOSE PARTS	1		

# Plant

Page 1 from 1

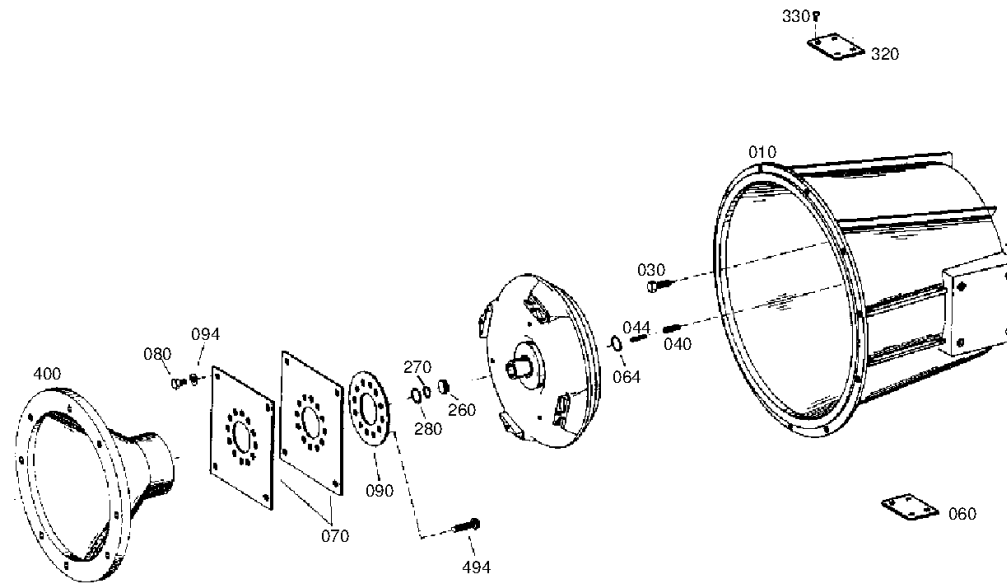
Material number: 4644.024.195

Plant: 464413070250

Material-assembly-group-no: 4644.130.702



4 WG 208 B /  
ENGINE CONNECTION





# Parts list

Page 1 from 1



4 WG 208 B /

Material number: 4644.024.195

Plant: 464413070250

Material-assembly-group-no: 4644.130.702

	Pos.	Material number	Customer material	Name	Quantity	ME	Amend. no.	Techn. Info.	Rep kit	Alternative material
	10	4644.330.385		CONNECTING HOUSING	1					
	30	0636.010.460		HEXAGON SCREW	14			M10X50		
	40	0631.329.100		SPRING PIN	2			10X40		
	44	0631.329.072		SPRING PIN	2			6X40		
	60	0501.340.197		COVER	1					
	64	0634.306.287		O-RING	1			70X3		
	70	4644.330.216		DIAPHRAGM	2					
	80	0636.015.280		HEXAGON SCREW	4			M10X18		
	90	4644.330.228		WASHER	1					
	94	0630.001.014		WASHER	4					
	260	4166.330.123		WASHER	1					
	270	0634.313.260		O-RING	1			25X3		
	280	0630.502.015		RETAINING RING	1			30X1,2		
	320	4644.330.242		COVER	1					
	330	0636.015.169		HEXAGON SCREW	4			M10X12		
	400	4644.330.222		INTERMEDIATE RING	1					
	494	0636.900.127		CAP SCREW	12			M12X30		

# Plant

Page 1 from 1

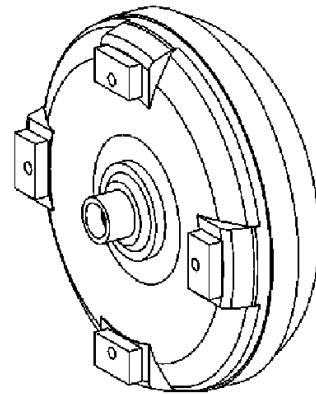
Material number: 4644.024.195

Plant: 416603019600

Material-assembly-group-no: 4166.030.196



4 WG 208 B /  
CONVERTER



010

# Plant

Page 1 from 1

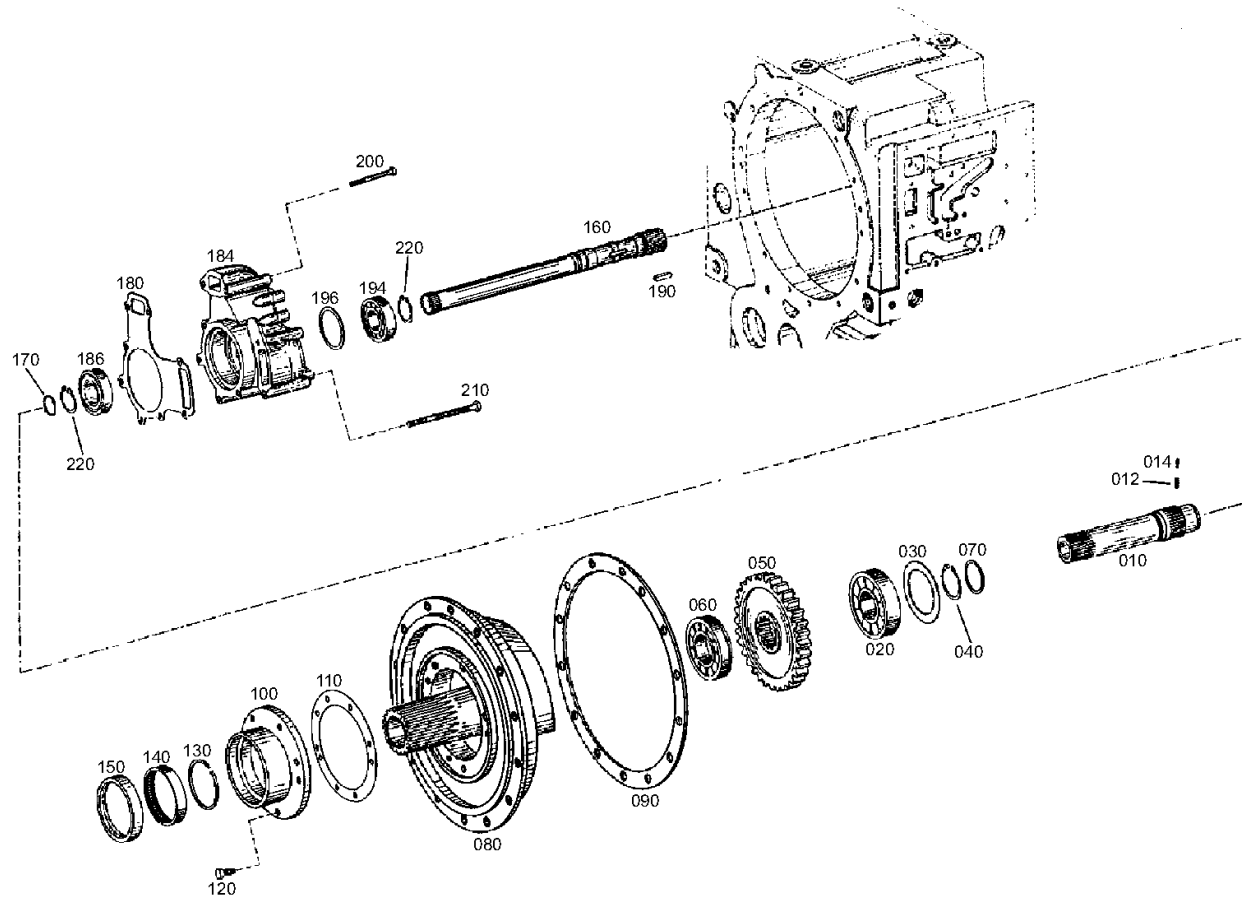
Material number: 4644.024.195

Plant: 464410213700

Material-assembly-group-no: 4644.102.137



4 WG 208 B /  
INPUT



# Plant

Page 1 from 1

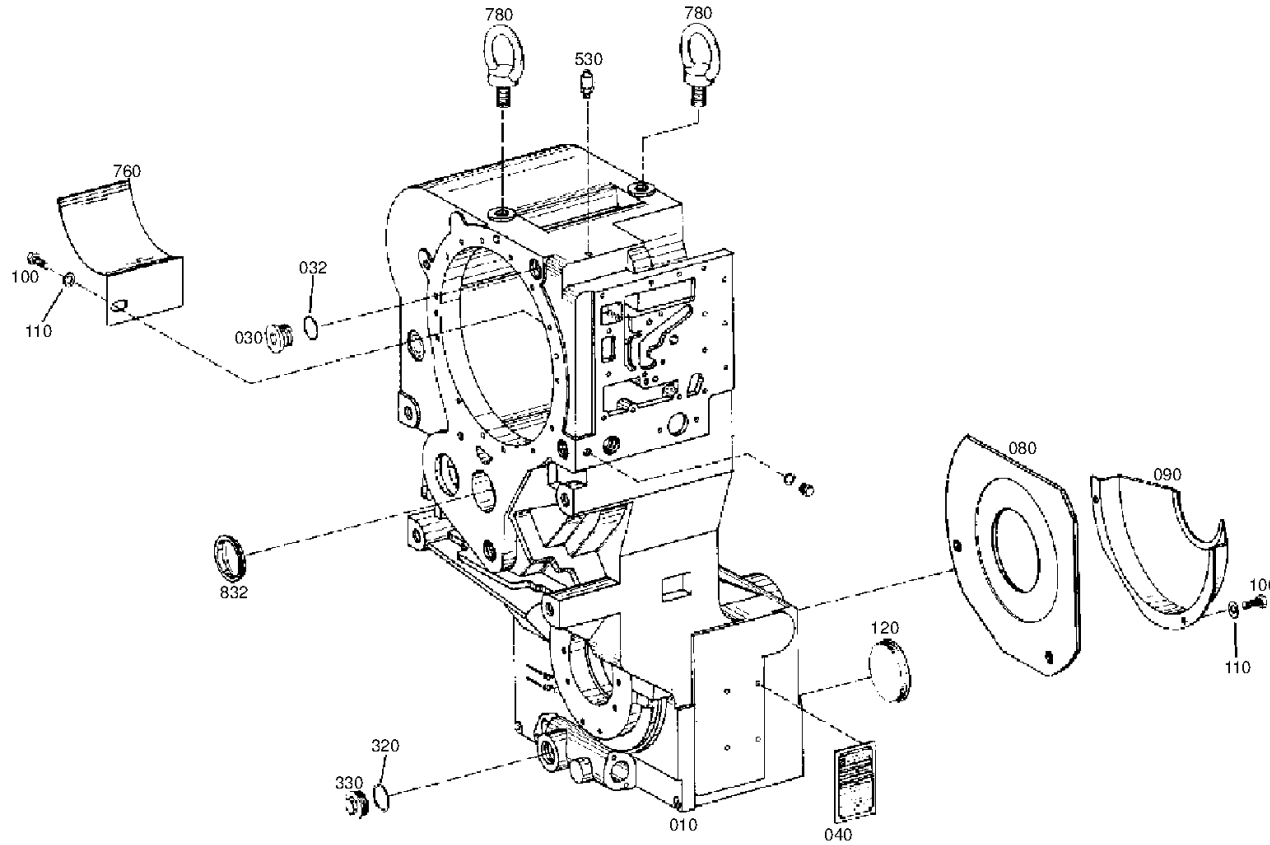
Material number: 4644.024.195

Plant: 464410124900

Material-assembly-group-no: 4644.101.249



4 WG 208 B /  
TRANSMISSION HOUSING



# Plant

Page 1 from 1

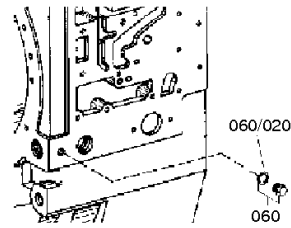
Material number: 4644.024.195

Plant: 464410149100

Material-assembly-group-no: 4644.101.491



4 WG 208 B /  
TRANSMISSION HOUSING



# Plant

Page 1 from 1

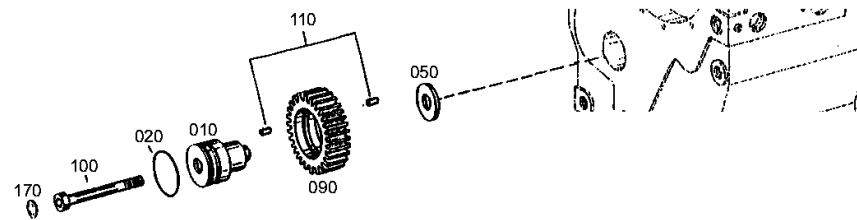
Material number: 4644.024.195

Plant: 464410823200

Material-assembly-group-no: 4644.108.232



4 WG 208 B /  
COUNTERSHAFT



# Plant

Page 1 from 1

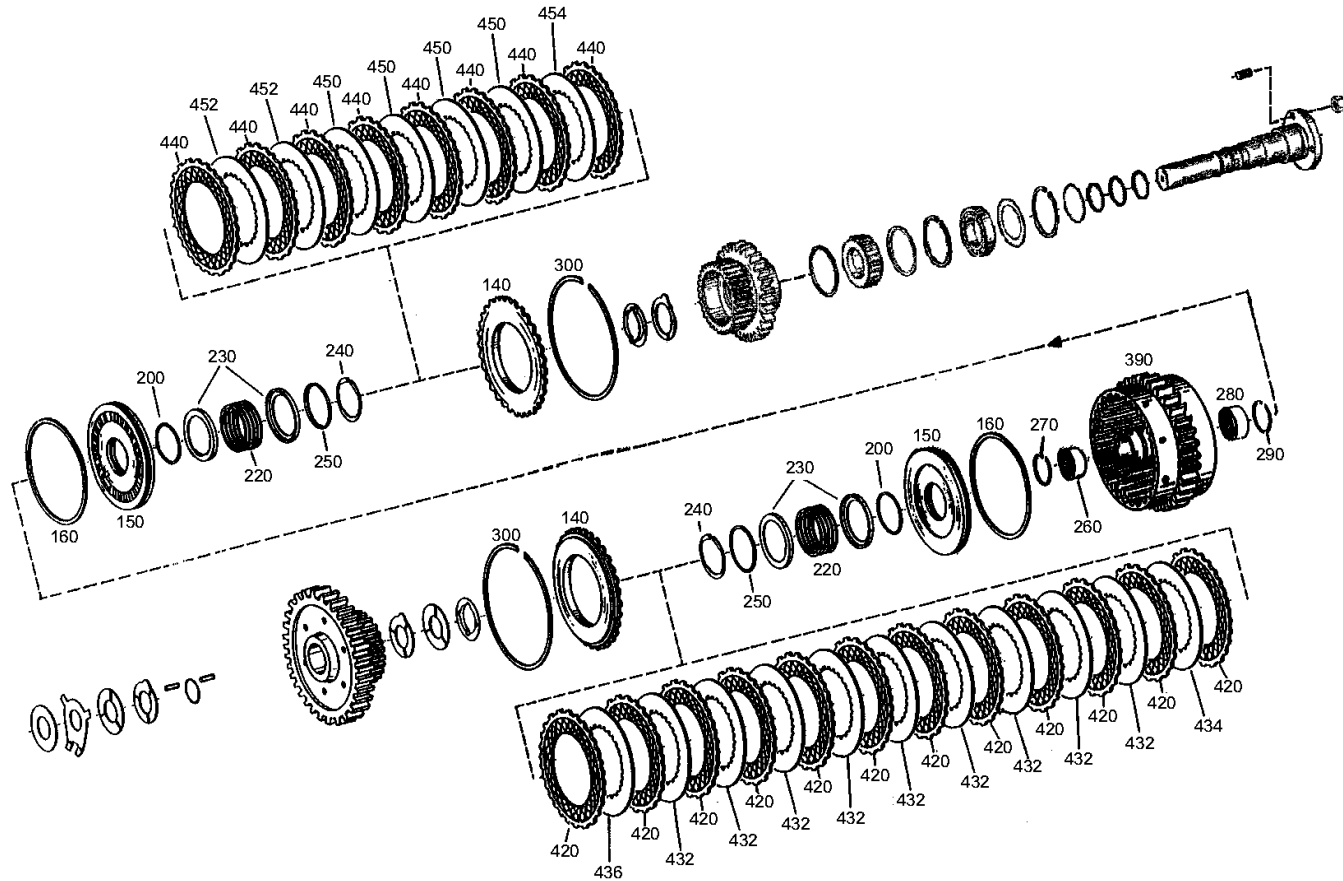
Material number: 4644.024.195

Plant: 464415110350

Material-assembly-group-no: 4644.151.103



4 WG 208 B /  
COUPLING



# Plant

Page 1 from 1

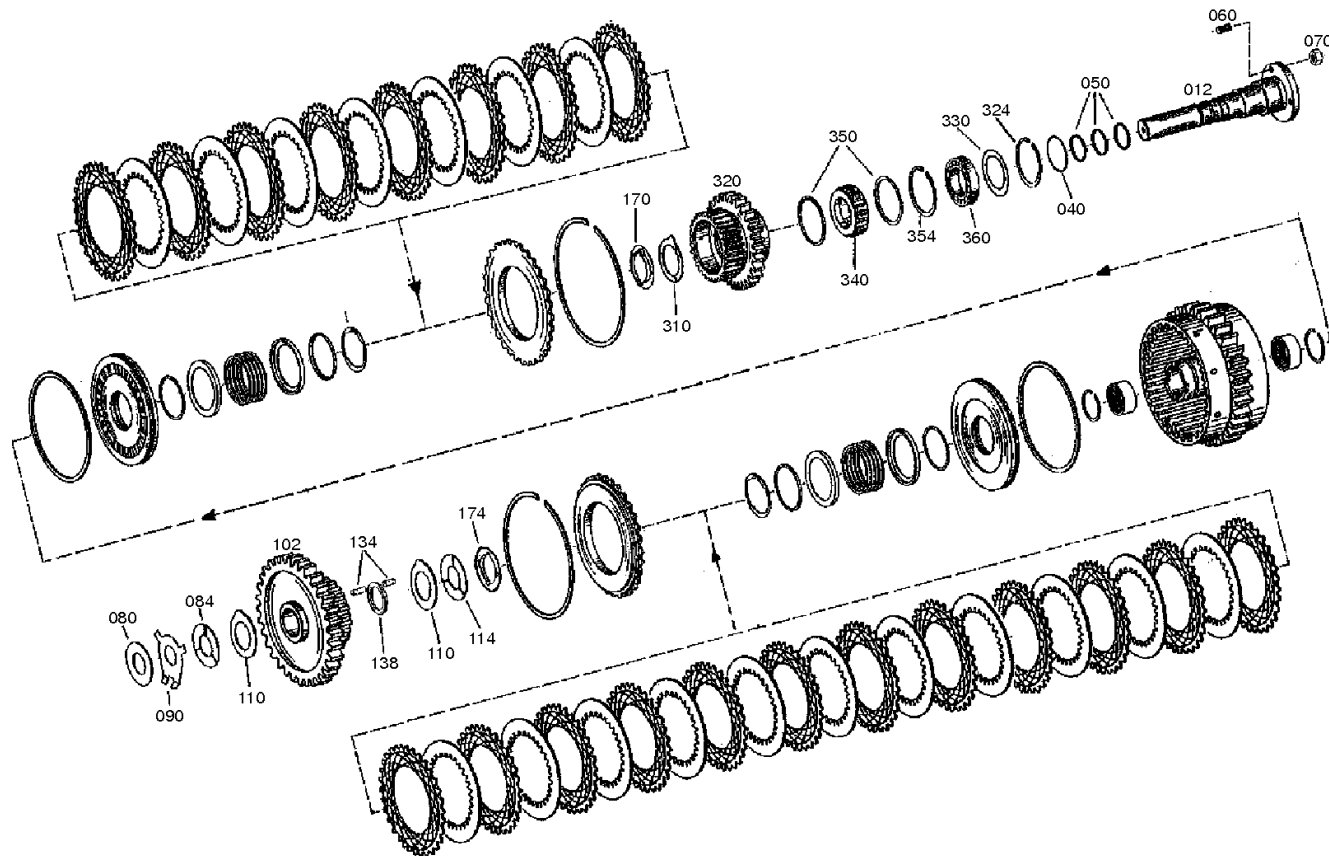
Material number: 4644.024.195

Plant: 464415154700

Material-assembly-group-no: 4644.151.547



4 WG 208 B /  
COUPLING





# Plant

Page 1 from 1

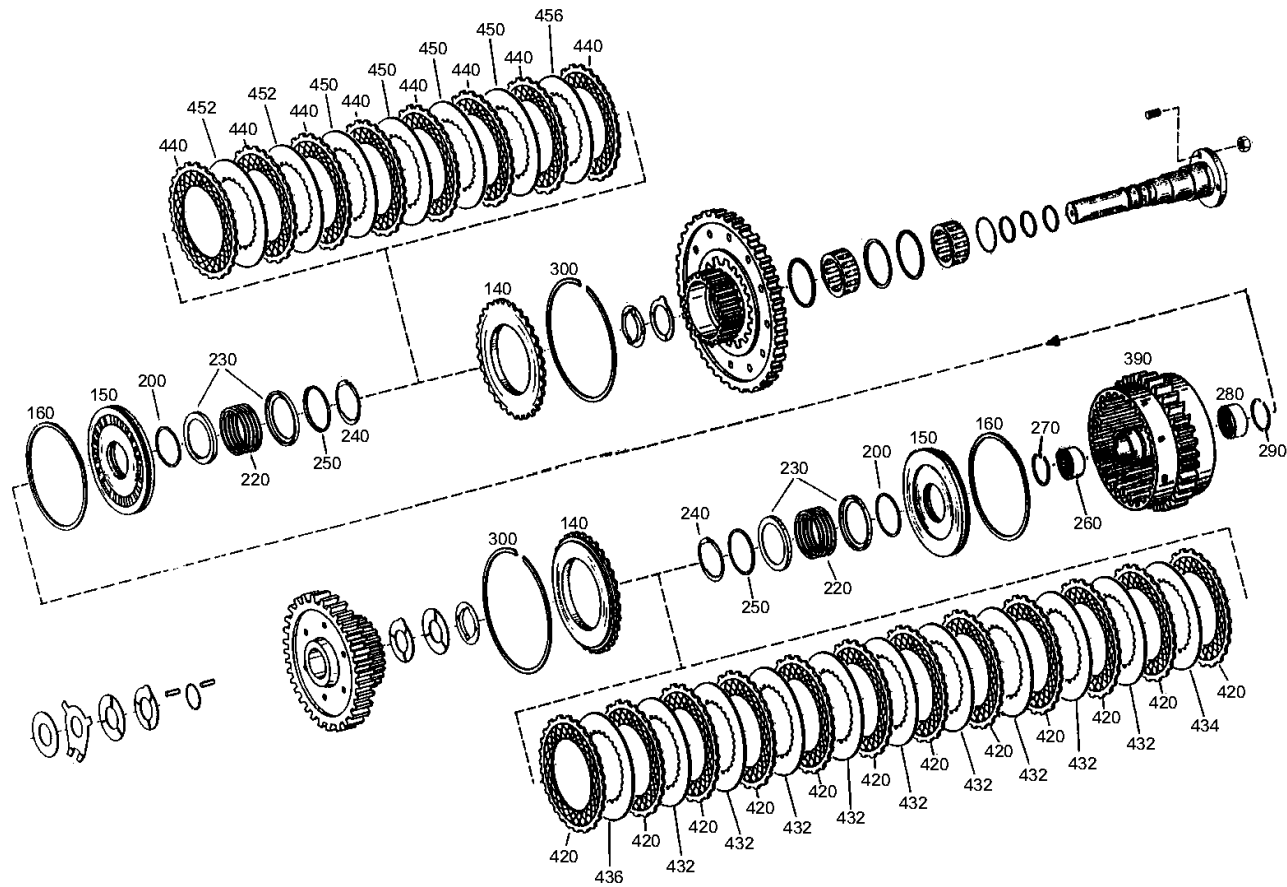
Material number: 4644.024.195

Plant: 464415213510

Material-assembly-group-no: 4644.152.135



4 WG 208 B /  
COUPLING



# Plant

Page 1 from 1

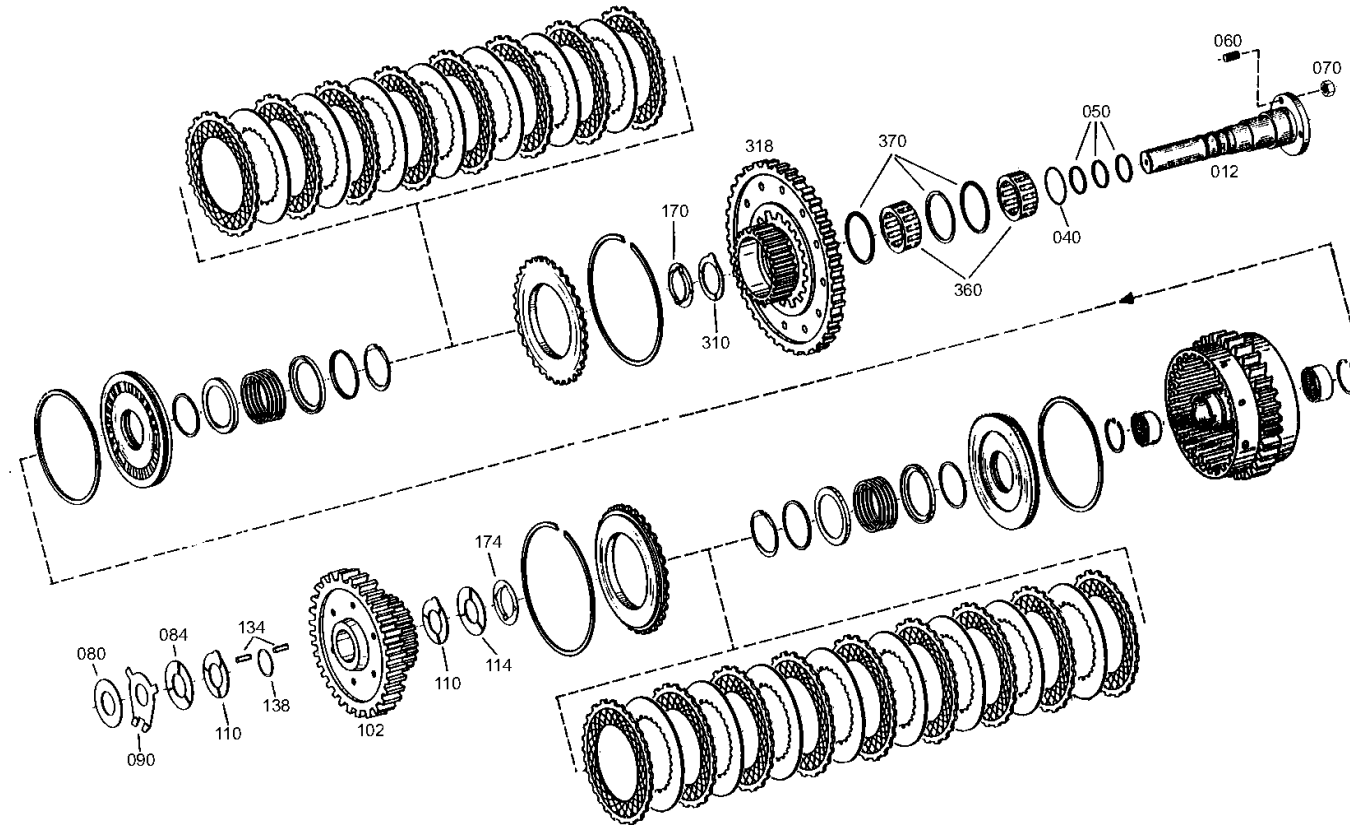
Material number: 4644.024.195

Plant: 464415255400

Material-assembly-group-no: 4644.152.554



4 WG 208 B /  
COUPLING



# Plant

Page 1 from 1

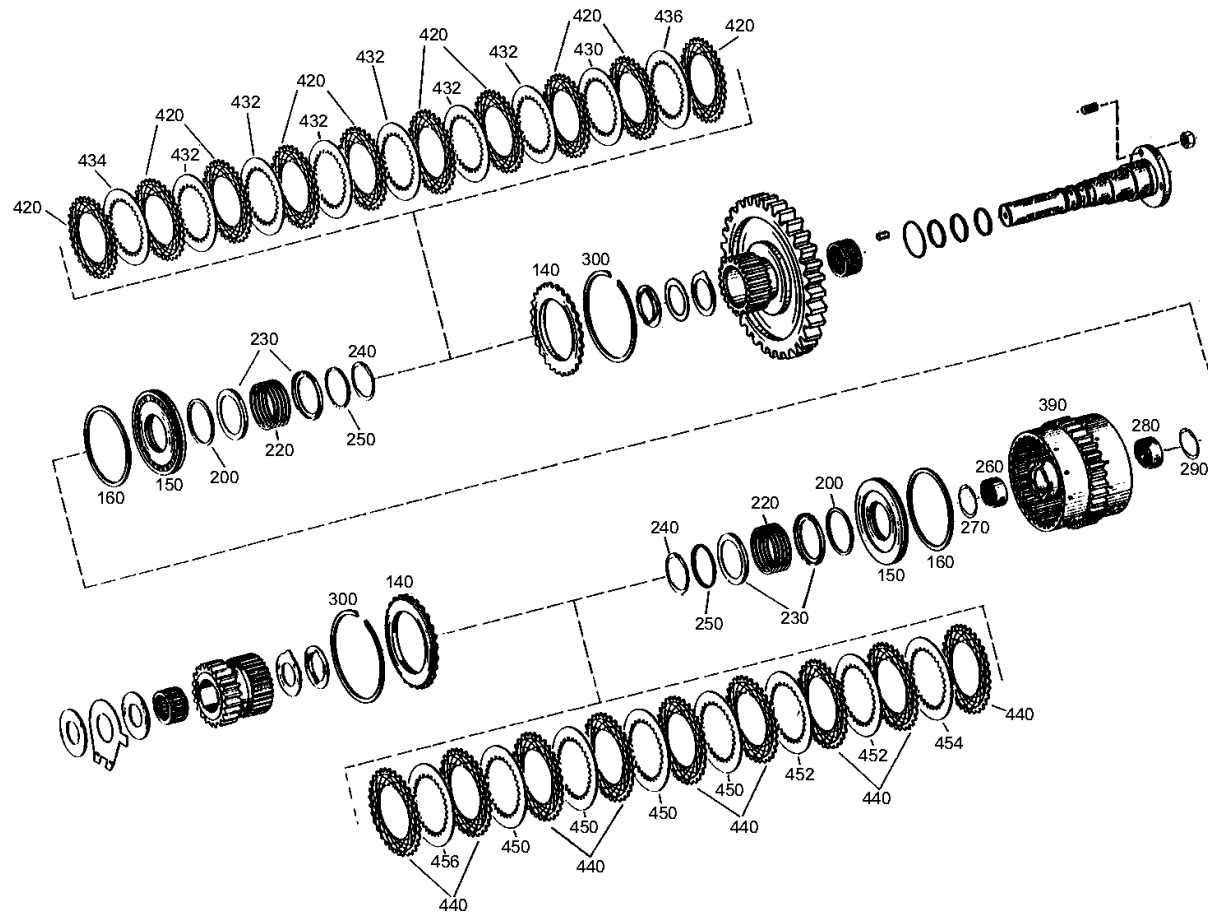
Material number: 4644.024.195

Plant: 464415312150

Material-assembly-group-no: 4644.153.121



4 WG 208 B /  
COUPLING



# Plant

Page 1 from 1

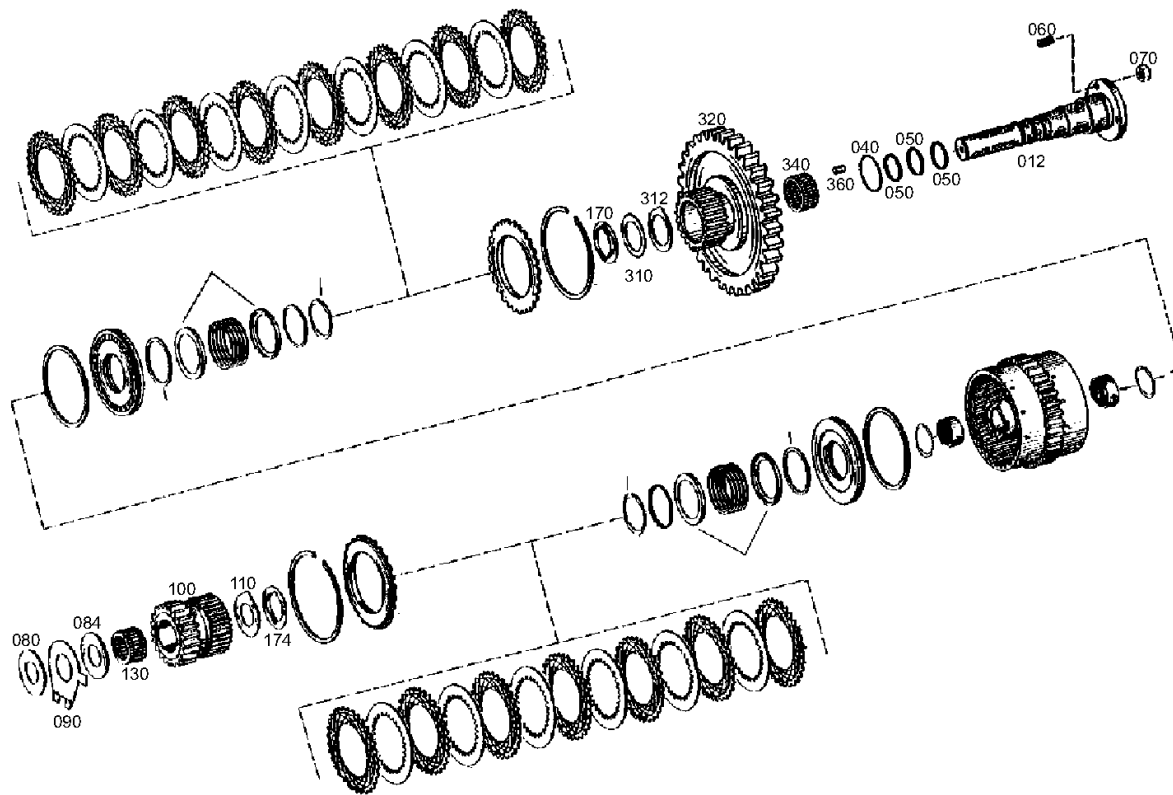
Material number: 4644.024.195

Plant: 464415351100

Material-assembly-group-no: 4644.153.511



4 WG 208 B /  
COUPLING



# Plant

Page 1 from 1

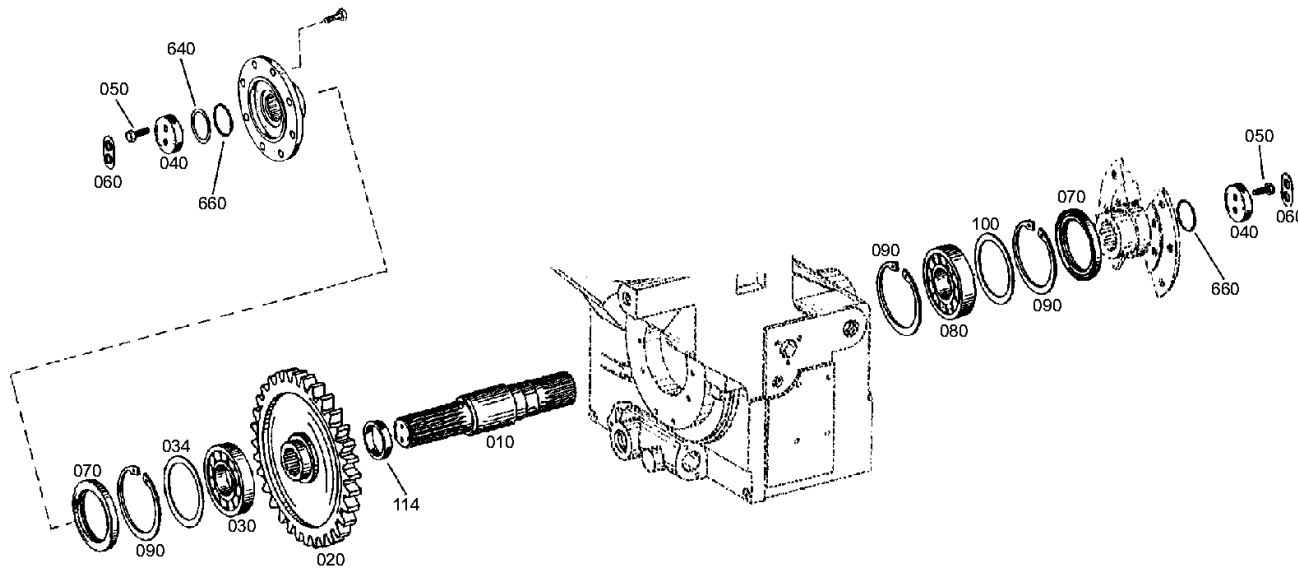
Material number: 4644.024.195

Plant: 464410310700

Material-assembly-group-no: 4644.103.126



4 WG 208 B /  
OUTPUT



# Plant

Page 1 from 1

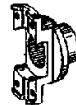
Material number: 4644.024.195

Plant: 464410348100

Material-assembly-group-no: 4644.103.481



4 WG 208 B /  
OUTPUT



140

# Plant

Page 1 from 1

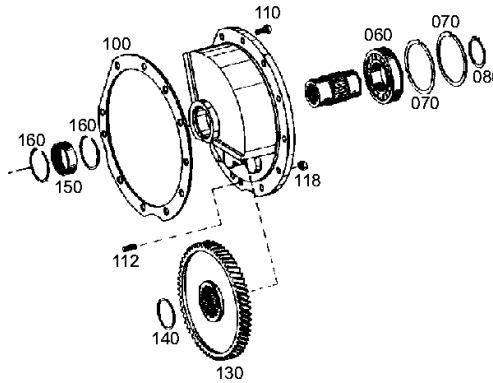
Material number: 4644.024.195

Plant: 464415408000

Material-assembly-group-no: 4644.154.080



4 WG 208 B /  
POWER TAKE-OFF



# Plant

Page 1 from 1

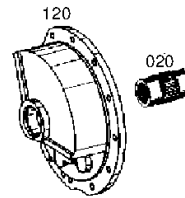
Material number: 4644.024.195

Plant: 464415447600

Material-assembly-group-no: 4644.154.476



4 WG 208 B /  
POWER TAKE-OFF





# Plant

Page 1 from 1

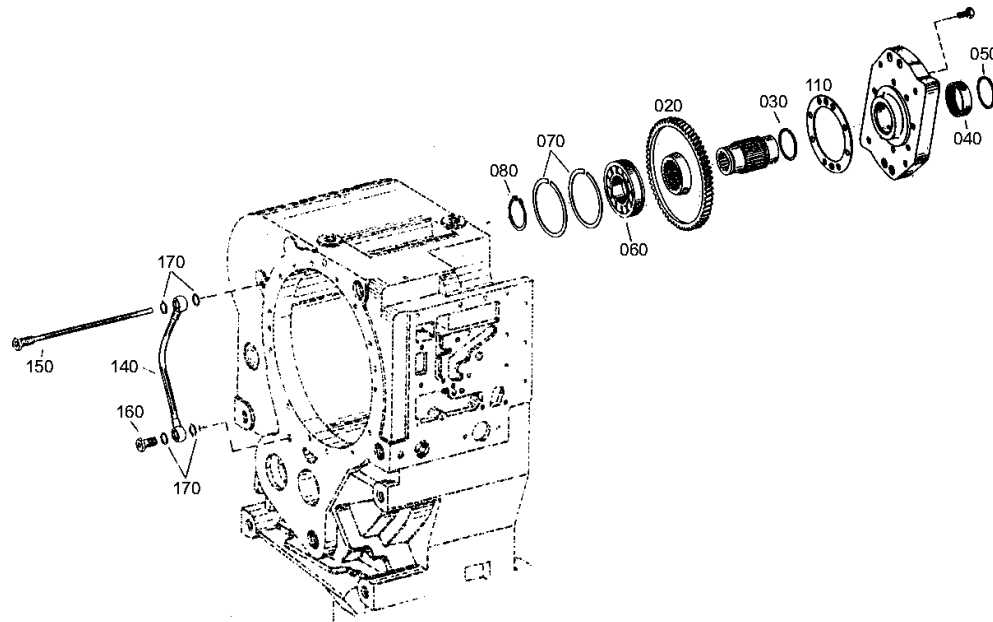
Material number: 4644.024.195

Plant: 464415503100

Material-assembly-group-no: 4644.155.031



4 WG 208 B /  
POWER TAKE-OFF



# Plant

Page 1 from 1

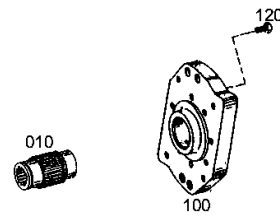
Material number: 4644.024.195

Plant: 464415542000

Material-assembly-group-no: 4644.155.420



4 WG 208 B /  
POWER TAKE-OFF



# Plant

Page 1 from 2

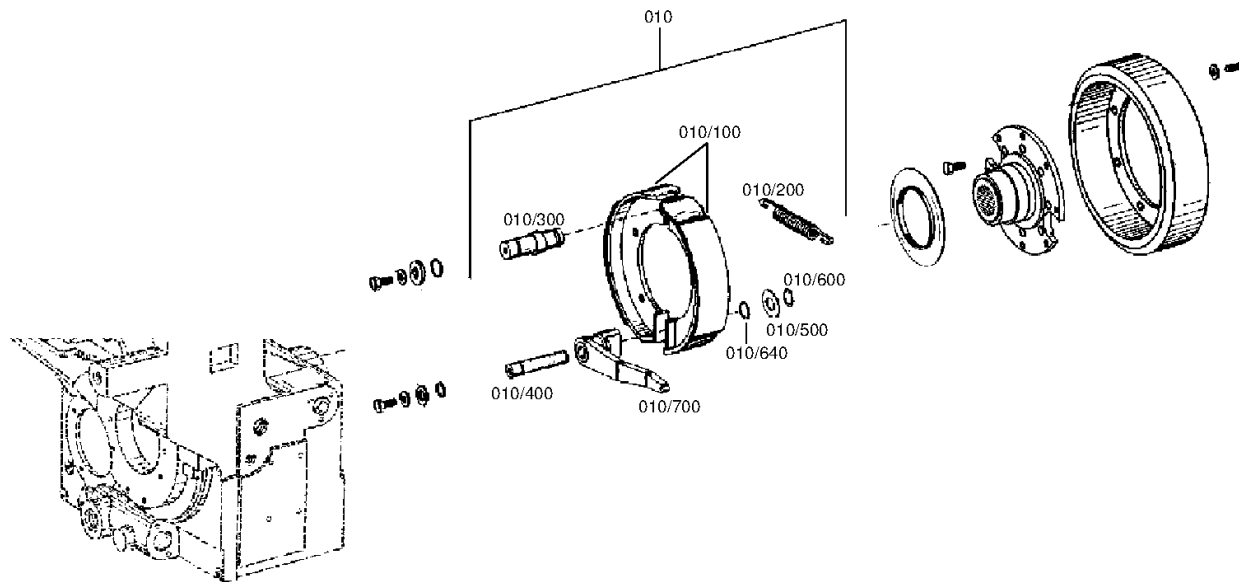
Material number: 4644.024.195

Plant: 464410904001

Material-assembly-group-no: 4644.109.040



4 WG 208 B /  
PARKING BRAKE



# Plant

Page 2 from 2

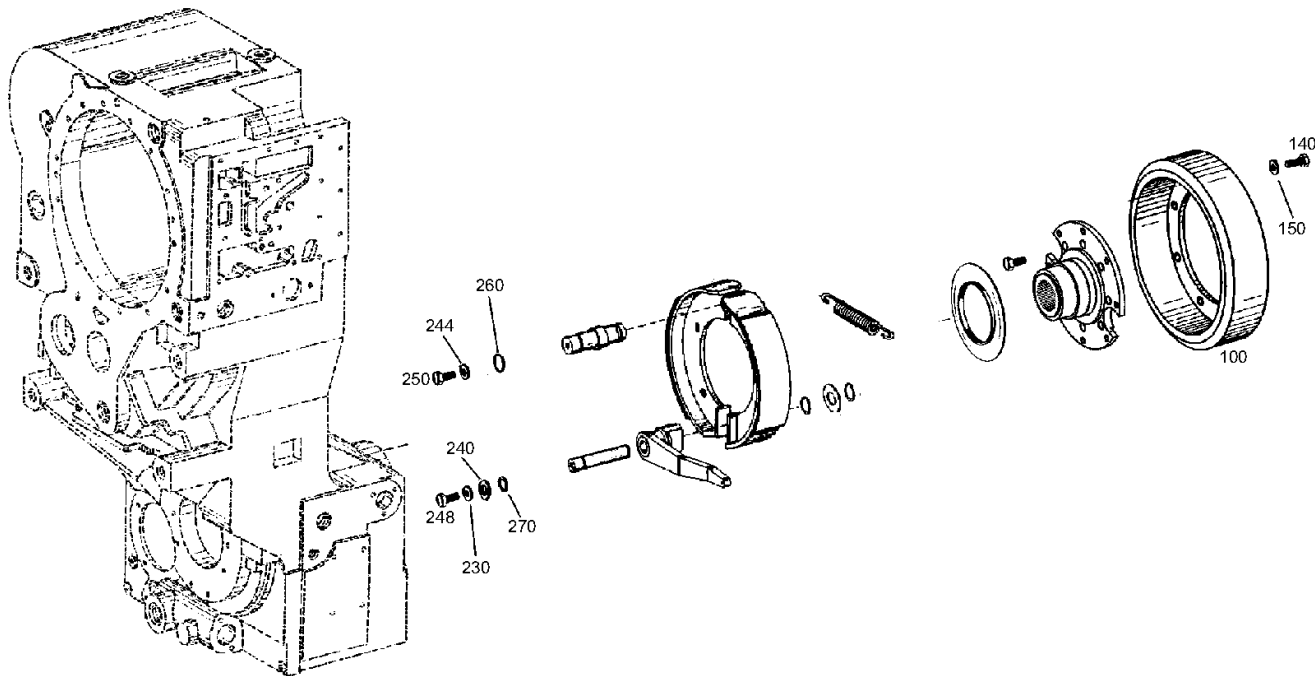
Material number: 4644.024.195

Plant: 464410904002

Material-assembly-group-no: 4644.109.040



4 WG 208 B /  
PARKING BRAKE



# Plant

Page 1 from 1

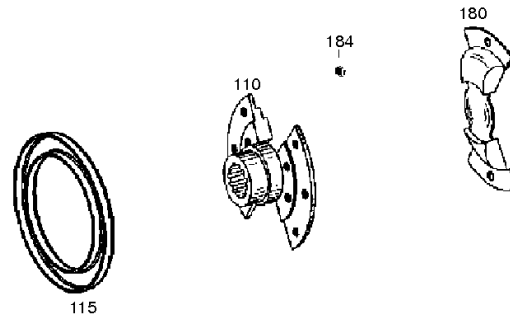
Material number: 4644.024.195

Plant: 464410947700

Material-assembly-group-no: 4644.109.477



4 WG 208 B /  
PARKING BRAKE



# Plant

Page 1 from 1

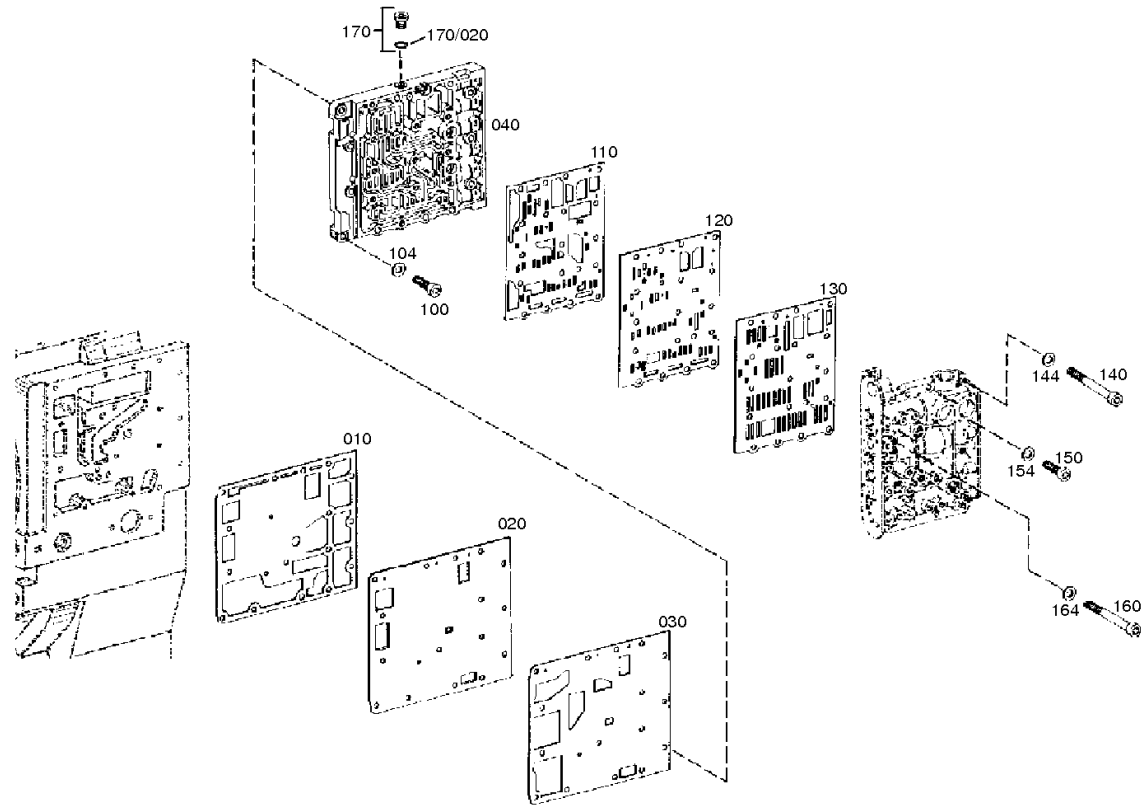
Material number: 4644.024.195

Plant: 464410632500

Material-assembly-group-no: 4644.106.325



4 WG 208 B /  
SHIFT SYSTEM



# Plant

Page 1 from 1

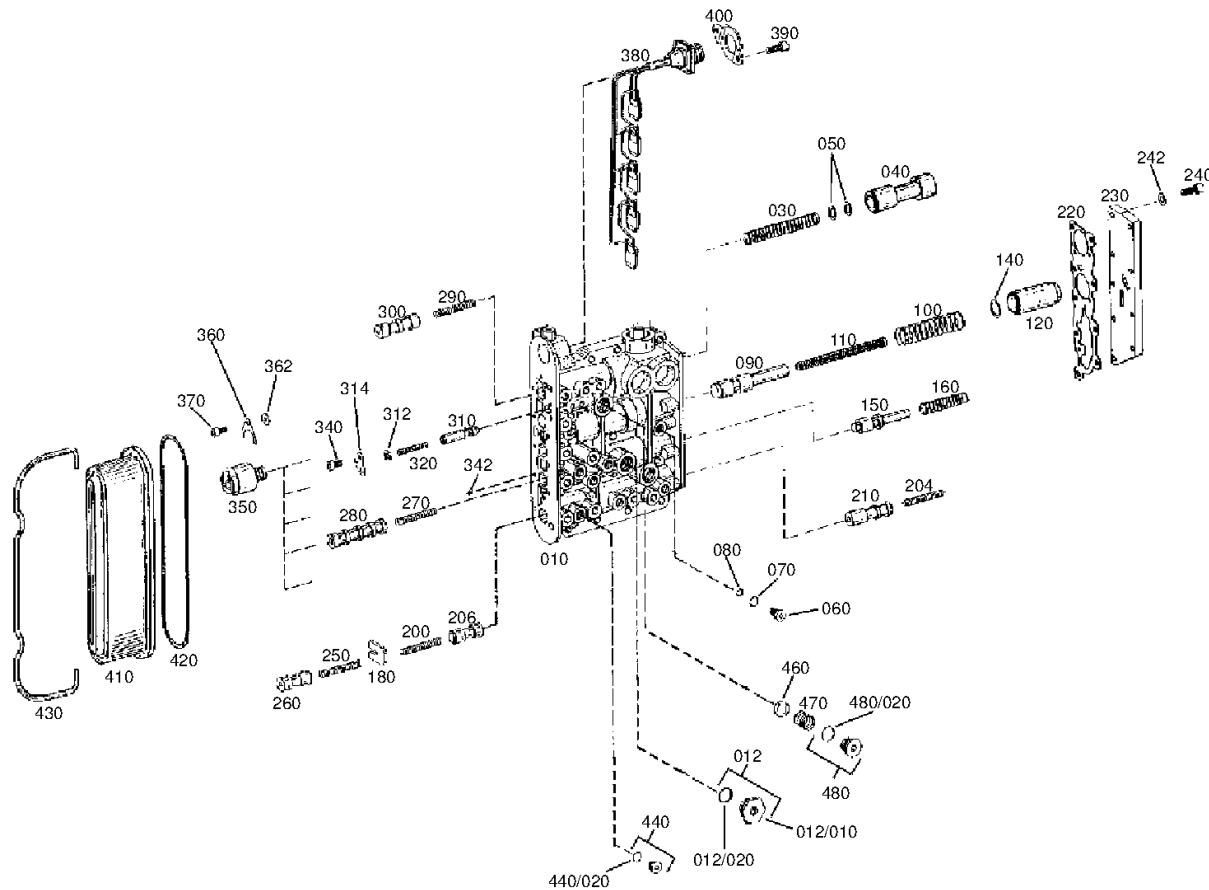
Material number: 4644.024.195

Plant: 464415934800

Material-assembly-group-no: 4644.159.348



4 WG 208 B /  
SHIFT SYSTEM



# Plant

Page 1 from 1

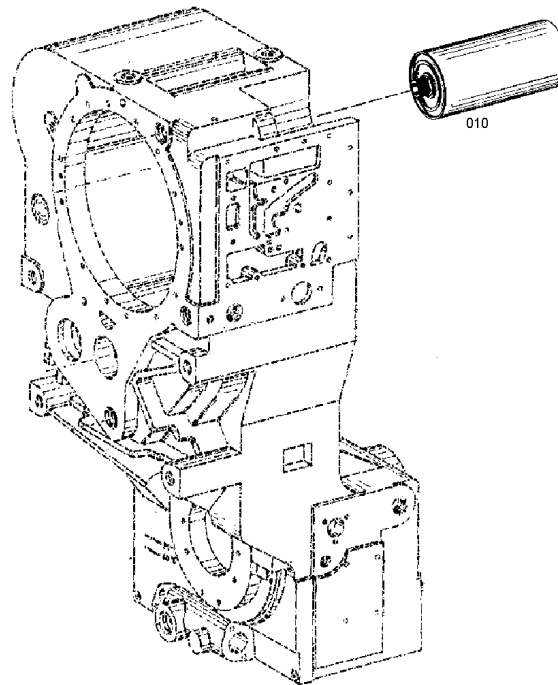
Material number: 4644.024.195

Plant: 464413800800

Material-assembly-group-no: 4644.138.015



4 WG 208 B /  
FILTER





# Plant

Page 1 from 1

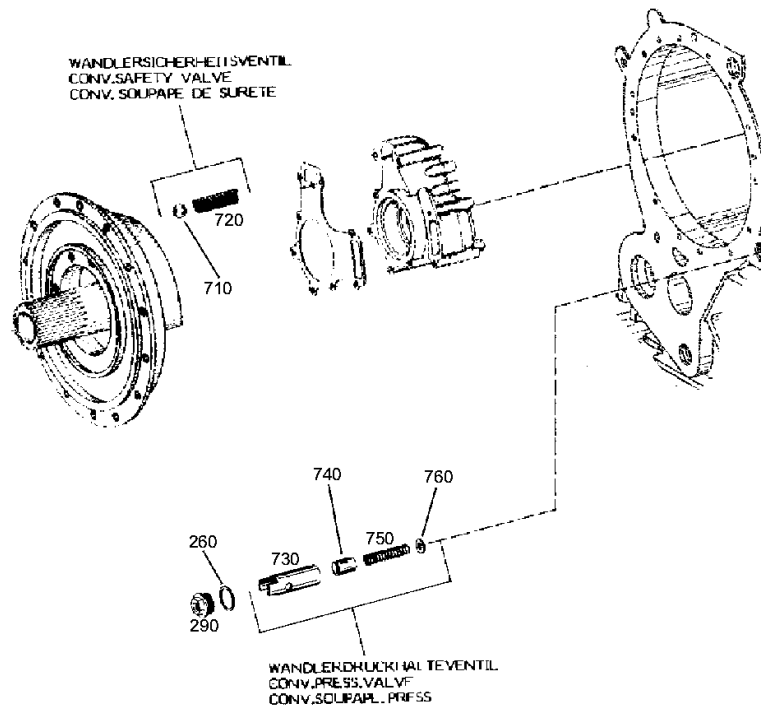
Material number: 4644.024.195

Plant: 464412021300

Material-assembly-group-no: 4644.120.213



4 WG 208 B /  
PRESSURE REGULATOR



# Plant

Page 1 from 1

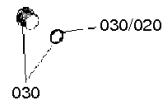
Material number: 4644.024.195

Plant: 464412520200

Material-assembly-group-no: 4644.125.202



4 WG 208 B /  
INDUCTIVE SENSOR



# Plant

Page 1 from 1

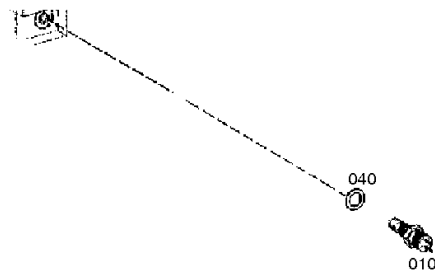
Material number: 4644.024.195

Plant: 464412548600

Material-assembly-group-no: 4644.125.486



4 WG 208 B /  
INDUCTIVE SENSOR



# Plant

Page 1 from 1

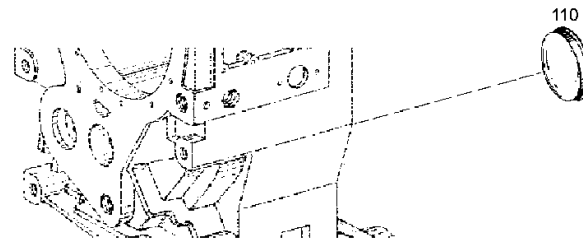
Material number: 4644.024.195

Plant: 464413702200

Material-assembly-group-no: 4644.137.022



4 WG 208 B /  
EMERGENCY STEERING PUMP



# Plant

Page 1 from 1

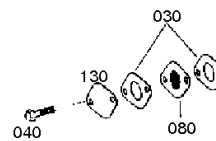
Material number: 4644.024.195

Plant: 464413102000

Material-assembly-group-no: 4644.131.020



4 WG 208 B /  
FILLER NOZZLE



# Plant

Page 1 from 1

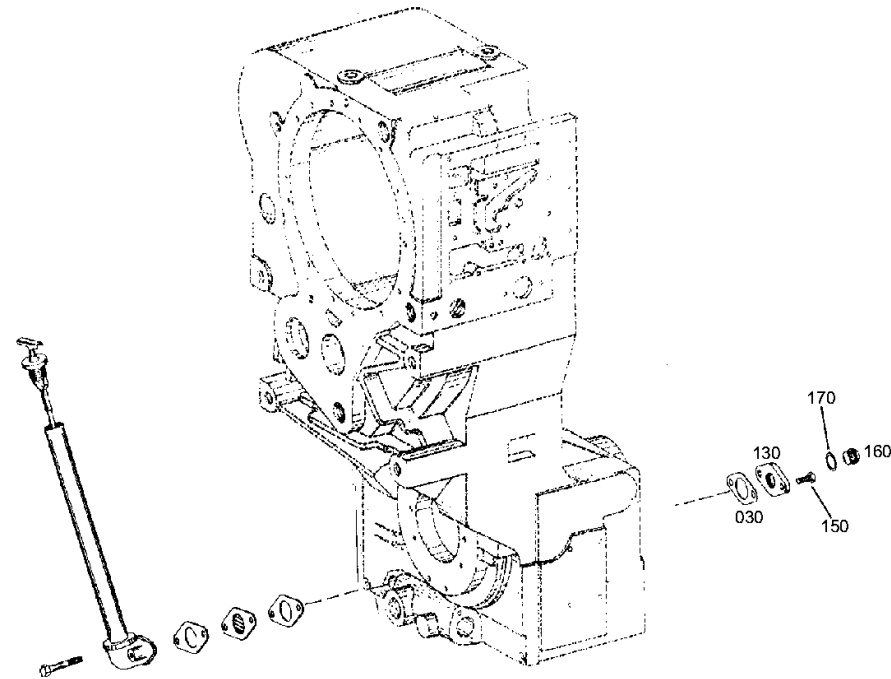
Material number: 4644.024.195

Plant: 464413141900

Material-assembly-group-no: 4644.131.419



4 WG 208 B /  
FILLER NOZZLE



# Plant

Page 1 from 1

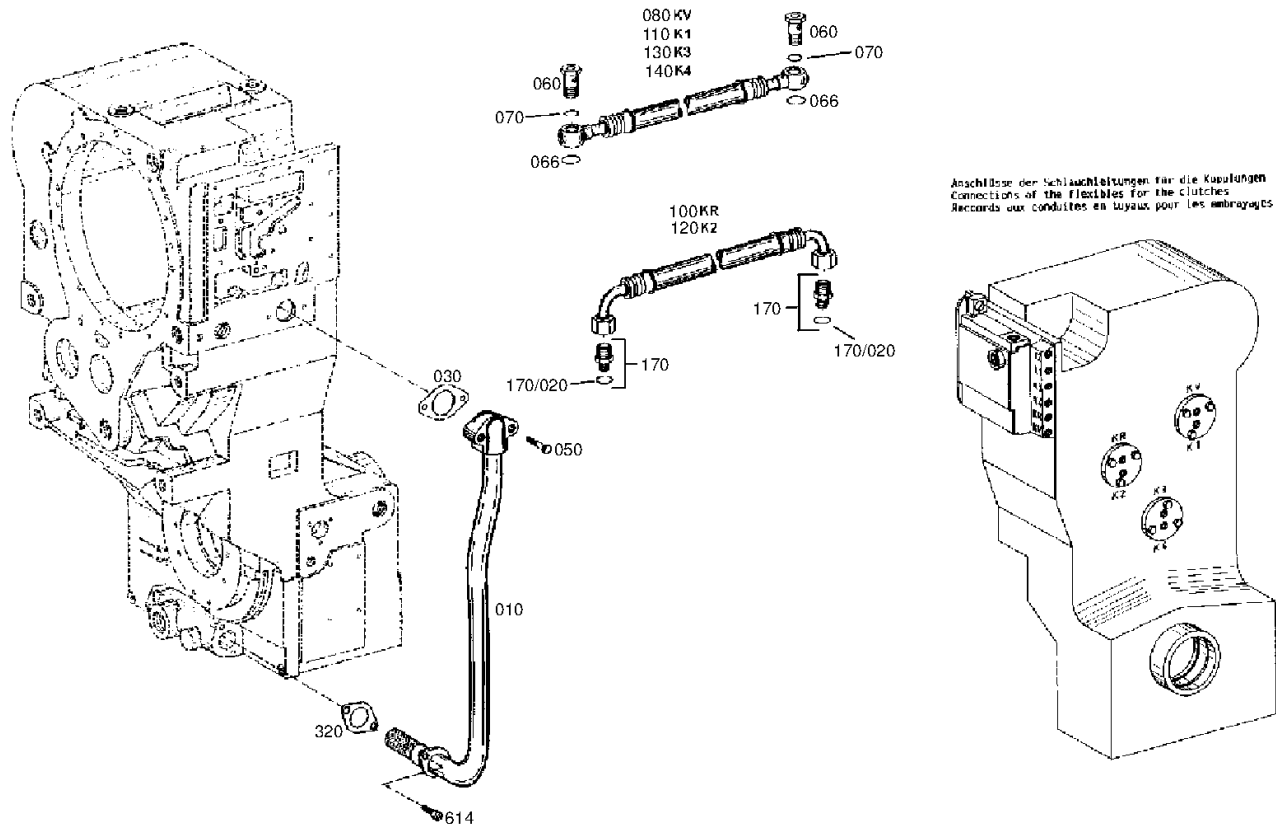
Material number: 4644.024.195

Plant: 464412115030

Material-assembly-group-no: 4644.121.150



4 WG 208 B /  
OIL PIPE



# Plant

Page 1 from 1

Material number: 4644.024.195

Plant: 464418312800

Material-assembly-group-no: 4644.183.128



4 WG 208 B /  
LOOSE PARTS

