



Spare Parts Catalog

6 WG 201

Material number: 4644.036.032

Current date: 21.04.2020

ZF Friedrichshafen AG
Hauptverwaltung
80038 Friedrichshafen
Deutschland

Telefon: +49 7541 77-0

Telefax: +49 7541 77-908000

www.zf.com

zuständiges Werk:
Passau

Notes relating to the spare parts catalog

Setup of the spare parts catalog

- Cover sheet
- Technical Cover (only in SDM print)
- Overview of figures
- Figure
- Associated parts list
- Next figure
- Associated parts list
- ...

Figure and parts list



Overview of figures

Bildtafel Figure	Sachnummer Product number	Benennung (Description)	Technische Info Technical info	Description (Benennung)	Menge Quantity	Einheit Unit
068.08.17	1316.170.001	AUSLEGER	WL	SHIFT TURRET	1	Stk
068.08.06	1316.170.031	DECKEL	WL*H-H *VM	COVER	1	Stk
068.08.14	1316.170.808	DECKEL	WL*AUSL+GEH*H-H*HF160N	COVER	1	Stk
08	1316.170.441	ANSCHLUSSTEILE	WL*NG-VORB*RG-SCHL*168N *BAJONETT	CONNECTING PARTS	1	Stk

The "gap" indicates that there is no separate graphics panel (poster) for this assembly
The parts of this assembly are shown with the same mid-section number on the figure

1 Positions and subpositions

Pos.	Sachnummer Product number	Benennung (Description)	Technische Info Technical info	Description (Benennung)	Menge Quantity	Einheit Unit
0370	1315.201.054	RUECKLAUFBOLZEN	KPL.16S151*SG*L= 79	REV.IDLER SHAFT	1	Stk
/0120	0631.329.293	SPANNSTIFT		SLOT. PIN	1	Stk

Positions marked with "/" are the individual items of a completion
For example: Position 0370 contains a centering pin with the position /0120

2 Combinations with standardized parts

Pos.	Sachnummer Product number	Benennung (Description)	Technische Info Technical info	Description (Benennung)	Menge Quantity	Einheit Unit
0630		VERSCHL.SCHR.		SCREW PLUG	1	Stk
	0636.302.067	VERSCHL.SCHR.		SCREW PLUG	1	Stk
	0634.801.249	DICHTRING	A 26 X 31	SEALING RING	1	Stk

The parts list shows the components included in the combination of standardized parts

3 Depiction of position/item number on the figure and in the parts list

01.620 - on the figure 01 relates to the assembly in which the position is included. Due to program-related reasons, it is shown on the figure.

0620 - in the parts list

Pos.	Sachnummer Product number	Benennung (Description)	Technische Info Technical info	Description (Benennung)	Menge Quantity	Einheit Unit
0620	0732.040.736	DRUCKFEDER		COMPRESSION SPRING	1	Stk

4 *-Positions

Positions marked with an * are optional i.e. inclusion in the parts list is not mandatory.
The following note is shown on the figure

je nach Stücklistenausführung
depending on spec. number
*
suivant la nomenclature
secondo la distinta base

5 Parts, dotted display

Parts with dotted display on the figure are only used for orientation of other parts

Technical Cover

Page 1 from 4

Material number: 4644.036.032



6 WG 201 /

Pos.	Information	Amendment number
	KUNDE:MANNESMANN-DEMAG/ZWEIBRUECKEN	
	IDENT-NO.: WITHOUT	
	PROJEKT-NR.:22701	
	VEHICLE DATA:	
	AT-KRAN AC 155	
	VEHICLE WEIGHT: LOADED 36,00T	
	MOTOR: DB OM 401 LA	
	MOTORLEISTUNG: P=213 KW BEI N=2100 UPM	
	ENGINE PERFORM.ACC.TO TRACTIVE EFFORT CALCUL.	
	DREHMOMENT: T=1180 NM BEI N=1450 UPM	
	TIRES:	
	R.DYN. 0,664 M	
	ACHSUEBERSETZUNG:I A-GES.= 11,75	
	V-MAX: 44,00 KM/H	
	PRODUCT DESCRIPTION:	
	TYP: 6WG-201/3	
	RATIOS TOTAL:	
	FORWARD:	
	1.G=5,813 2.G=3,768 3.G=2,519 4.G=1,636	
	5.G=0,982 6.G=0,636	
	REVERSE:	
	1.G=5,813 2.G=2,519 3.G=0,982	
	HIGH GEARING: YES	
	INPUT:	
	DIRECT FLANGE ATTACHMENT	
	DIAPHRAGM	
	SAE-CONNECTION: 1	
	OUTPUT:	
	FLANSCH: RE.D=150*4XM12X1,5X45 KVZ	
	POWER TAKE-OFF(P.T.O):	
	KOAX.MOTORABH.: FL.D=160*4XM16	
	KOAX.MOTORABH.: WE.40X2X18 DIN 5480	
	REVERSING GEAR DRIVEN: NO	

Technical Cover

Page 2 from 4

Material number: 4644.036.032



6 WG 201 /

Pos.	Information	Amendment number
	TURB.DRIVEN NO	
	CONTR.MECH.: NO	
	GEAR SELECTION:	
	CODE: H	
	ELECTRICAL	
	MOUNTING POSIT.: LATERAL AT THE GEARBOX ABOVE	
	VOLTAGE: 24 VOLT	
	SOLENOID VALVES: 2-POLE	
	OPERATING PRES.: 16+2 BAR	
	PRESSURE CONT.: 5,5-13 BAR NO.10	
	CONNENCTION WIRING:CANNON SCREW CONNECTION	
	OIL INLET TO CONTROL:GEAR BOX	
	REPLENISHING OIL:WITH	
	WK-STEUERUNG: DR.STEURG.BLENDE:MIT	
	ANBAULAGE: SEITL.AN ELEKTR.SCHALTUNG	
	DOUBLE PRESSURE CONTROL VALVE: WITHOUT	
	PRESS.CUT-OFF: WITHOUT	
	SETTING SPECIFICAT.:4644 700 553 IN 467	
	WARNING SWITCH F.OIL PRESSURE:WITH	
	ENGAGING POINT: 10 BAR	
	WARNING SWITCH F.OIL TEMPERATUR: WITH	
	GEAR SELECTOR: SEPARATE ORDER	
	ELEKTRON.BAUSTEIN: MIT	
	WIRING: WITHOUT	
	INDUCTIVE SENSOR,TURBINE SIDE: KOSTAL (M24X1)	
	INDUCTIVE SENSOR: WITHOUT	
	SPEEDOMETER: WITHOUT	
	OIL DIPSTICK: CONVERTER SIDE	
	ZF-FILTER: INTEGRATED	
	T-CONVERTER:	
	BEZEICHNUNG: 35 H 176	
	GRUNDKURVE: 4166 711 106	
	KREISLAUF: 350-16 / 3.1.12.	



Pos.	Information	Amendment number
	ANFAHRWANDLUNG: 1,54	
	STATOR FREEWHEEL: WITH	
	BREAK FREEWHEEL: WITHOUT	
	MASSENTRAEGH.MD: J=1,54 KGM2	
	WANDLER-DK: MIT/M27	
	DAEMPFUNGSPAKET: MIT	
	RETARDER: WITHOUT	
	INCH-VALVE: WITHOUT	
	DRAWINGS:	
	SCHNITT:AEHN:4644 036 019(R)	
	FAHRSCHALTER:6006 622 178()	
	EINBAU: 4644 636 032(0)	
	EINBAU: 6006 620 049()	
	MOTOR-ANBAU: 4644 500 351(2)	
	TRANSM.DIAGR. SEE INSTALL.DRAWING	
	OEL-SCHEMA: 4644 700 619 IN 618	
	ANSCHL.PLAN: 6029 700 981()	
	STROMLAUFPL.:6006 700 523()	
	WIRKSCH.PLAN:6006 700 423(2)	
	OIL PIPE: SEE INSTALL.DRAWING	
	CALCULATIONS:	
	ZUGKRAFT: 4644 709 806-805	
	PRUEFANWEISUNG: 4644 760 315(3)	
	EINBAU: 6041 632 023()EBST	
	INST.DRAWING:	
	OIL CAPACITY:	
	PHOSHATESTER: NO	
	MAIN TRANSMISSION: CA.26,00 L	
	OIL FILLING: NO	
	OIL GRADE:SPECIFICATION TE ML 03 / TRANSMISSION	
	GESAMT-TROCKENMASSE: 383KG	
	COLOUR: 5 BLACK RAL 9005	
	PACKING:	

Technical Cover

Page 4 from 4

Material number: 4644.036.032



6 WG 201 /

Pos.	Information	Amendment number
	LOCATION OF CABIN:	
	2 FAHRSTAENDE (UNTER UND OBERWAGEN)	
	MISCELLANEOUS/REMARKS:	
	SEPARATE ORDER FOR ELECTR.PARTS	
	FAHRSCHALTER IN UNTERWAGEN 6006 022 192	
	FAHRSCHALTER IM OBERWAGEN 6006 020 050	
	*	

Assembly group overview

Page 1 from 2



6 WG 201 /

Material number: 4644.036.032

Graphics	Pos.	Material number	Name	Quantity	Amend. no.	Techn. Info.
464413000400	270	4644.130.201	ENGINE CONNECTION	1		
416603503000	500	4166.035.176	CONVERTER	1		
464410200400	30	4644.102.113	INPUT	1		
464410111400	10	4644.101.160	TRANSMISSION HOUSING	1		
464410111900	20	4644.101.467	TRANSMISSION HOUSING	1		
464410810300	150	4644.108.218	COUNTERSHAFT	1		
464410810400	160	4644.108.403	COUNTERSHAFT	1		
	350	4644.151.229	COUPLING	1		
464415111100	355	4644.151.440	CLUTCH	1		
464415211000	360	4644.152.126	COUPLING	1		
	365	4644.152.532	COUPLING	1		
464415311000	370	4644.153.117	COUPLING	1		
464415311100	375	4644.153.414	CLUTCH	1		
464415410700	380	4644.154.069	POWER TAKE-OFF	1		
464410630100	110	4644.106.301	SHIFT SYSTEM	1		
464415930200	120	4644.159.302	SHIFT SYSTEM	1		
464412102000	190	4644.120.020	PRESSURE REGULATOR	1		

Assembly group overview

Page 2 from 2

Material number: 4644.036.032



6 WG 201 /

Graphics	Pos.	Material number	Name	Quantity	Amend. no.	Techn. Info.
464413800100	330	4644.138.001	FILTER	1		
464412510600	250	4644.125.007	INDUCTIVE SENSOR	1		
464412547200	260	4644.125.472	INDUCTIVE SENSOR	1		
464410700100	130	4644.107.401	SPEEDOMETER	1		
464413111500	290	4644.131.071	FILLER NOZZLE	1		
464413140100	300	4644.131.401	FILLER NOZZLE	1		
464412110700	210	4644.121.101	OIL PIPE	1		
464412111100	220	4644.121.428	OIL PIPE	1		
464419905200	490	4644.199.877	LOOSE PARTS	1		
464429833600	KIT	4644.298.336	SEAL KIT	1		

Plant

Page 1 from 1

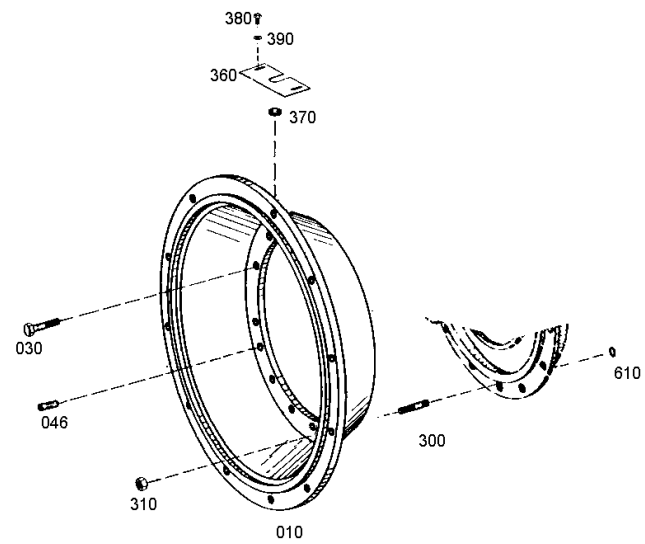
Material number: 4644.036.032

Plant: 464413000400

Material-assembly-group-no: 4644.130.201



6 WG 201 /
ENGINE CONNECTION



Plant

Page 1 from 1

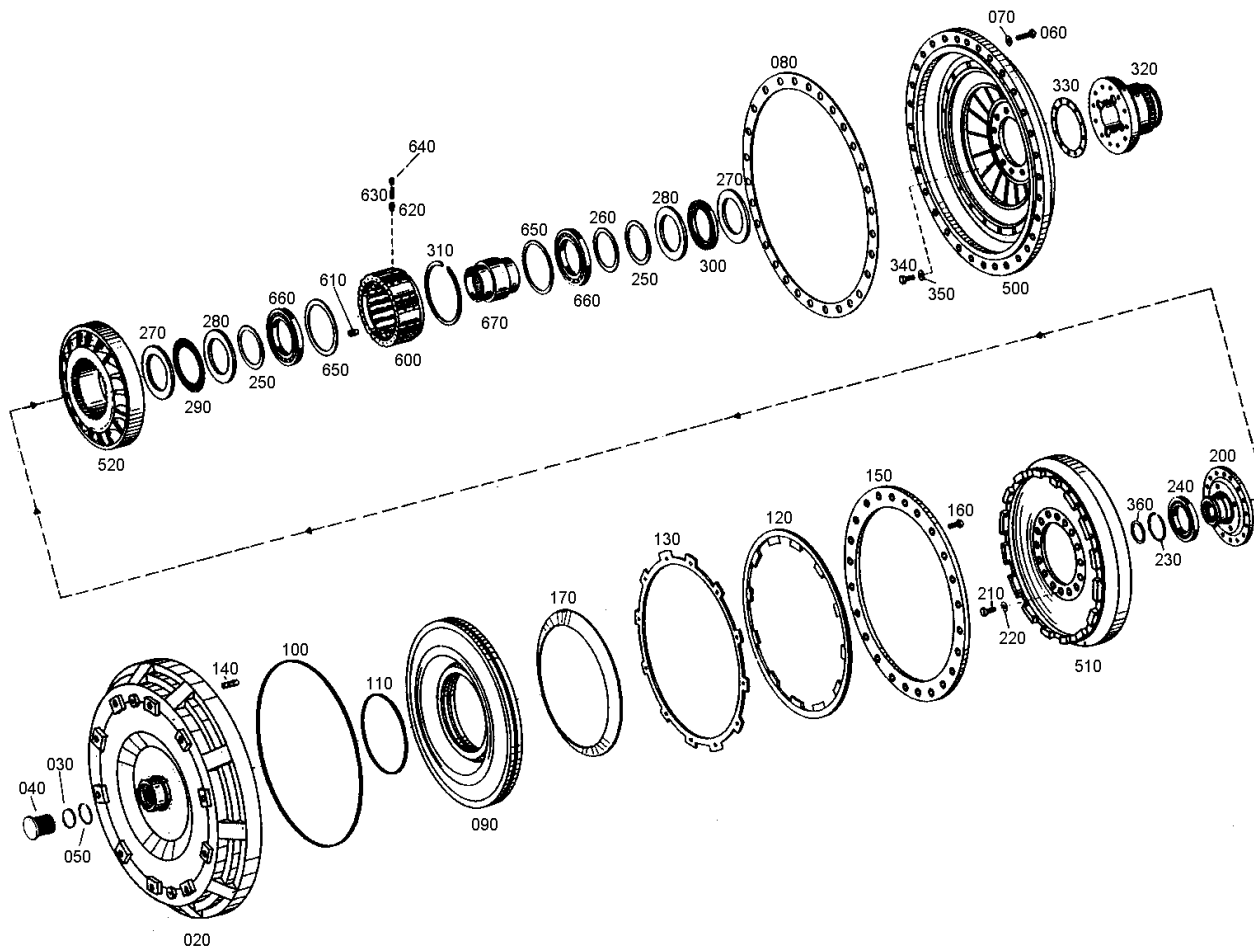
Material number: 4644.036.032

Plant: 416603503000

Material-assembly-group-no: 4166.035.176



6 WG 201 /
CONVERTER



Plant

Page 1 from 1

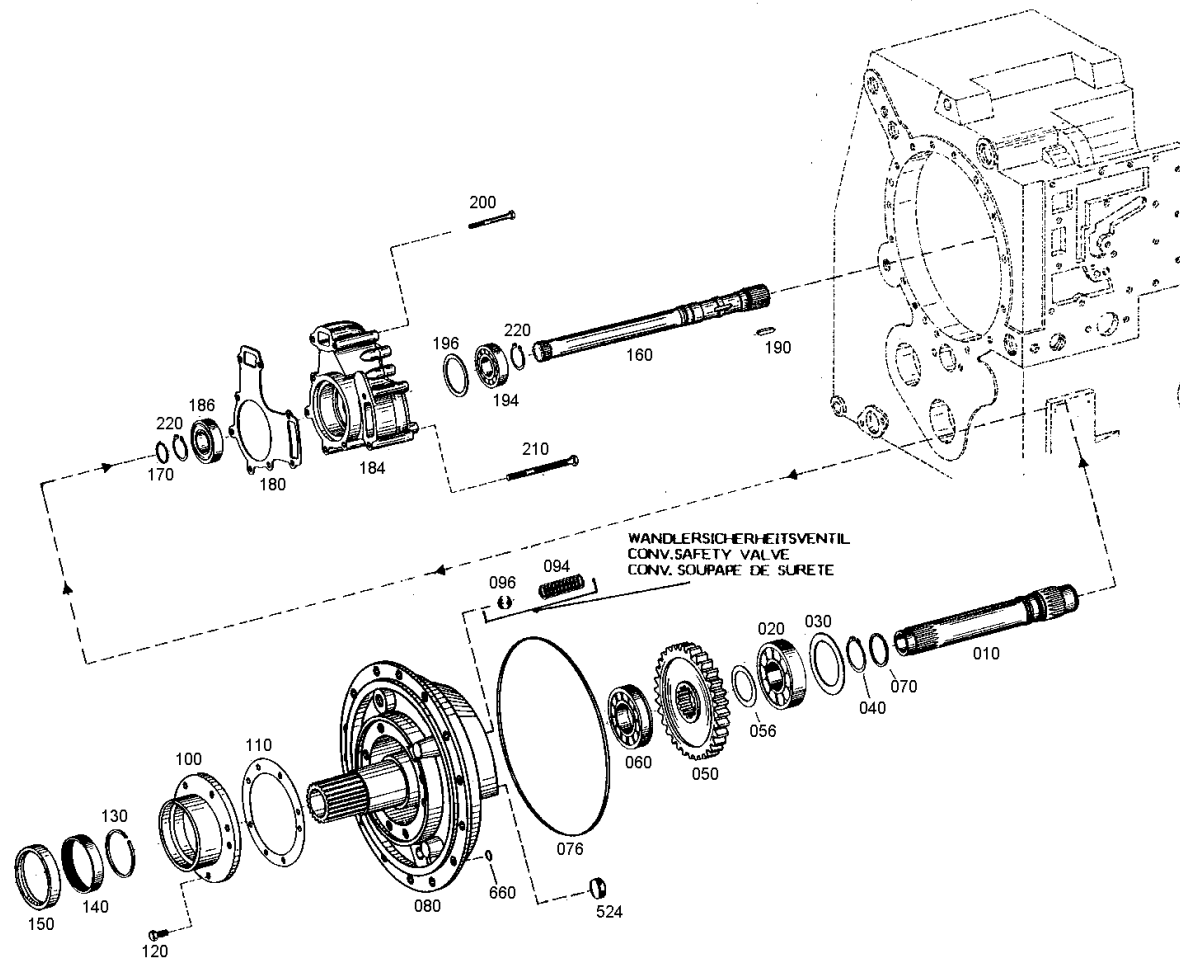
Material number: 4644.036.032

Plant: 464410200400

Material-assembly-group-no: 4644.102.113



6 WG 201 /
INPUT



Plant

Page 1 from 1

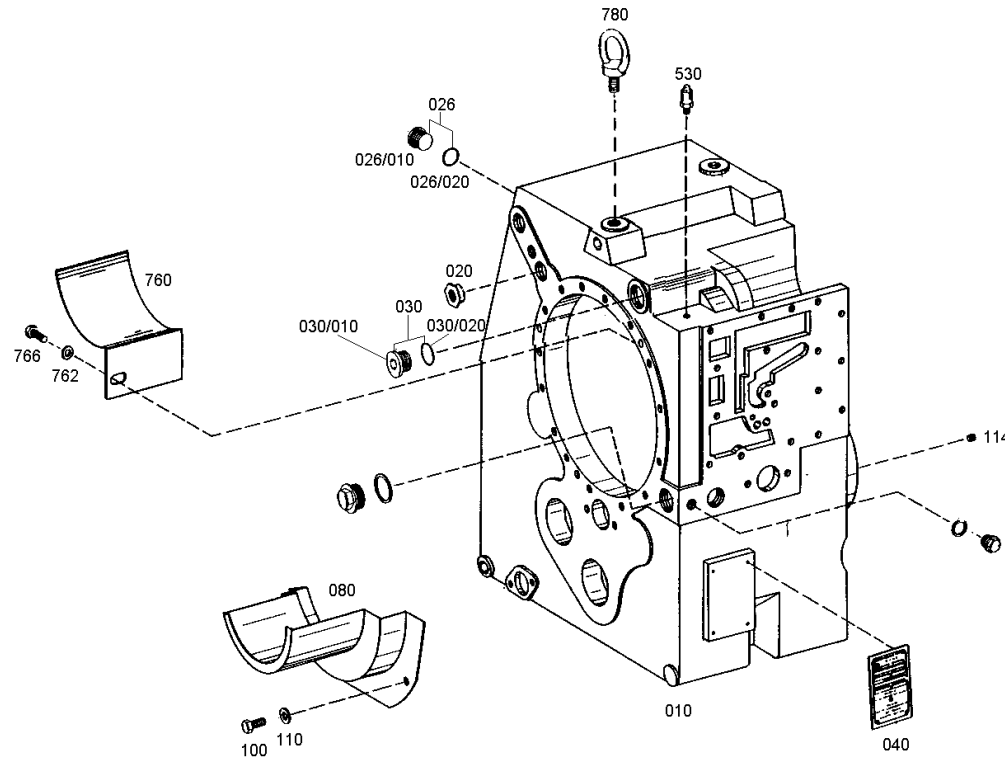
Material number: 4644.036.032

Plant: 464410111400

Material-assembly-group-no: 4644.101.160



6 WG 201 /
TRANSMISSION HOUSING



Plant

Page 1 from 1

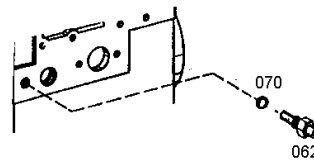
Material number: 4644.036.032

Plant: 464410111900

Material-assembly-group-no: 4644.101.467



6 WG 201 /
TRANSMISSION HOUSING



Plant

Page 1 from 1

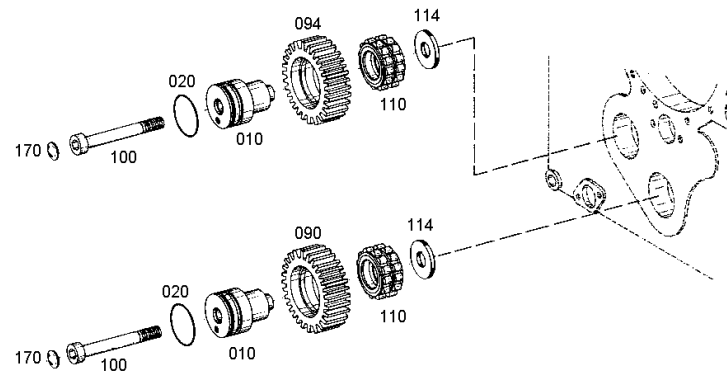
Material number: 4644.036.032

Plant: 464410810300

Material-assembly-group-no: 4644.108.218



6 WG 201 /
COUNTERSHAFT



Plant

Page 1 from 1

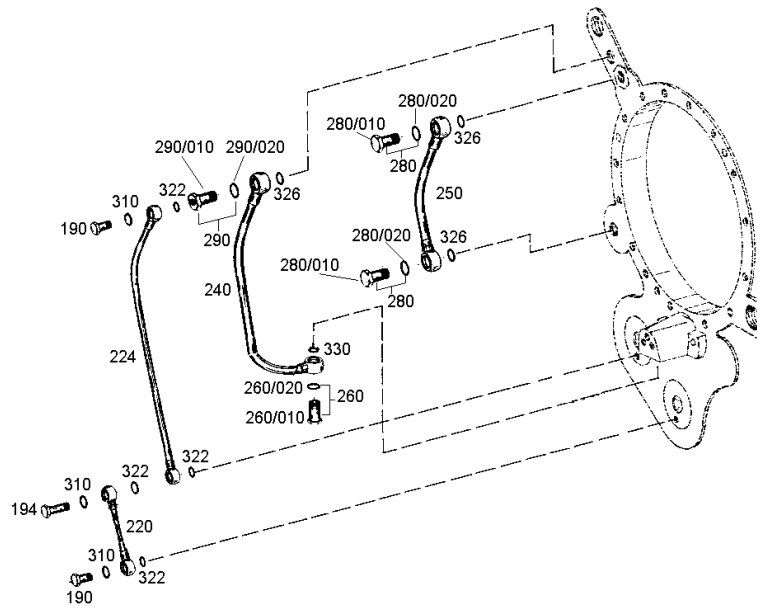
Material number: 4644.036.032

Plant: 464410810400

Material-assembly-group-no: 4644.108.403



6 WG 201 /
COUNTERSHAFT



Plant

Page 1 from 1

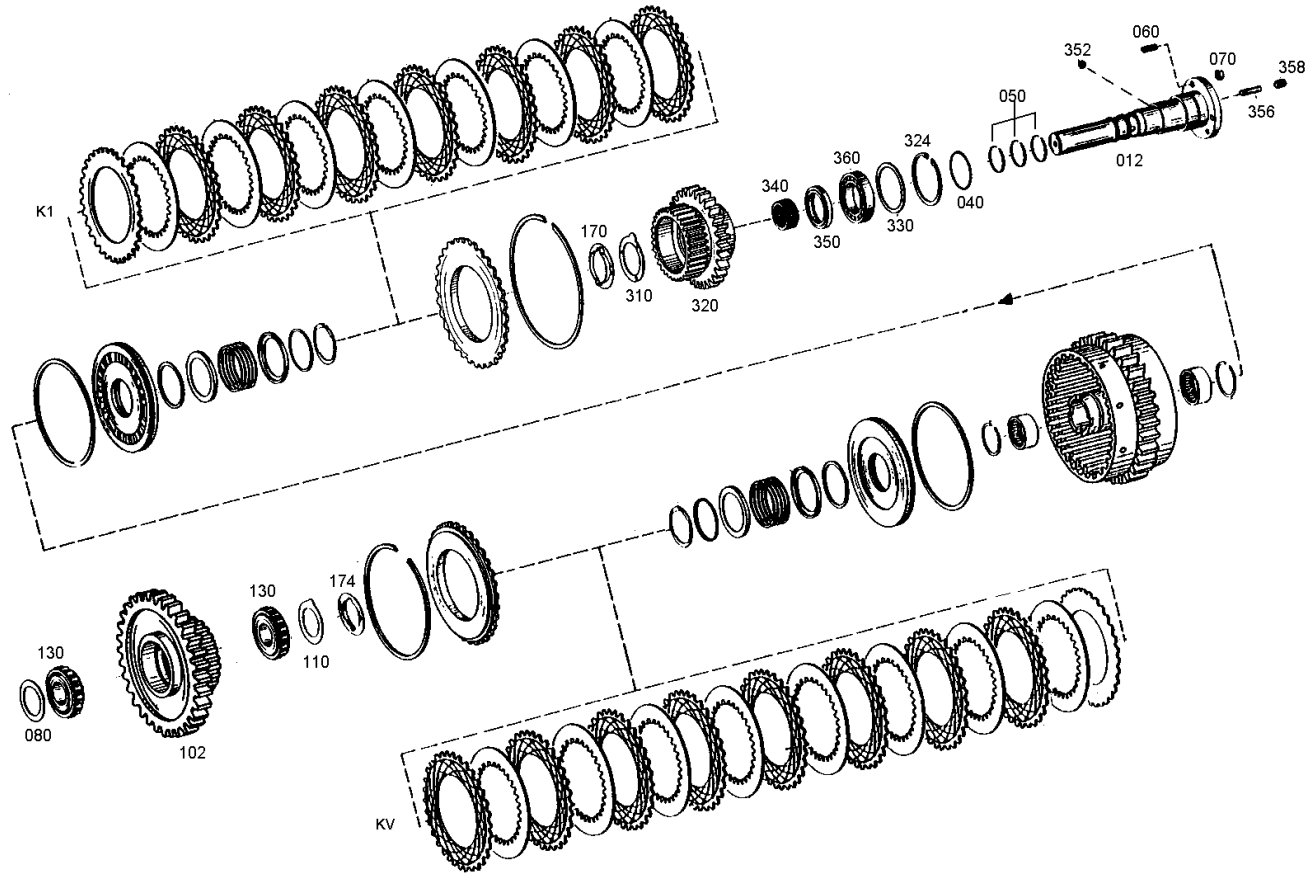
Material number: 4644.036.032

Plant: 464415111100

Material-assembly-group-no: 4644.151.440



6 WG 201 /
CLUTCH



Plant

Page 1 from 1

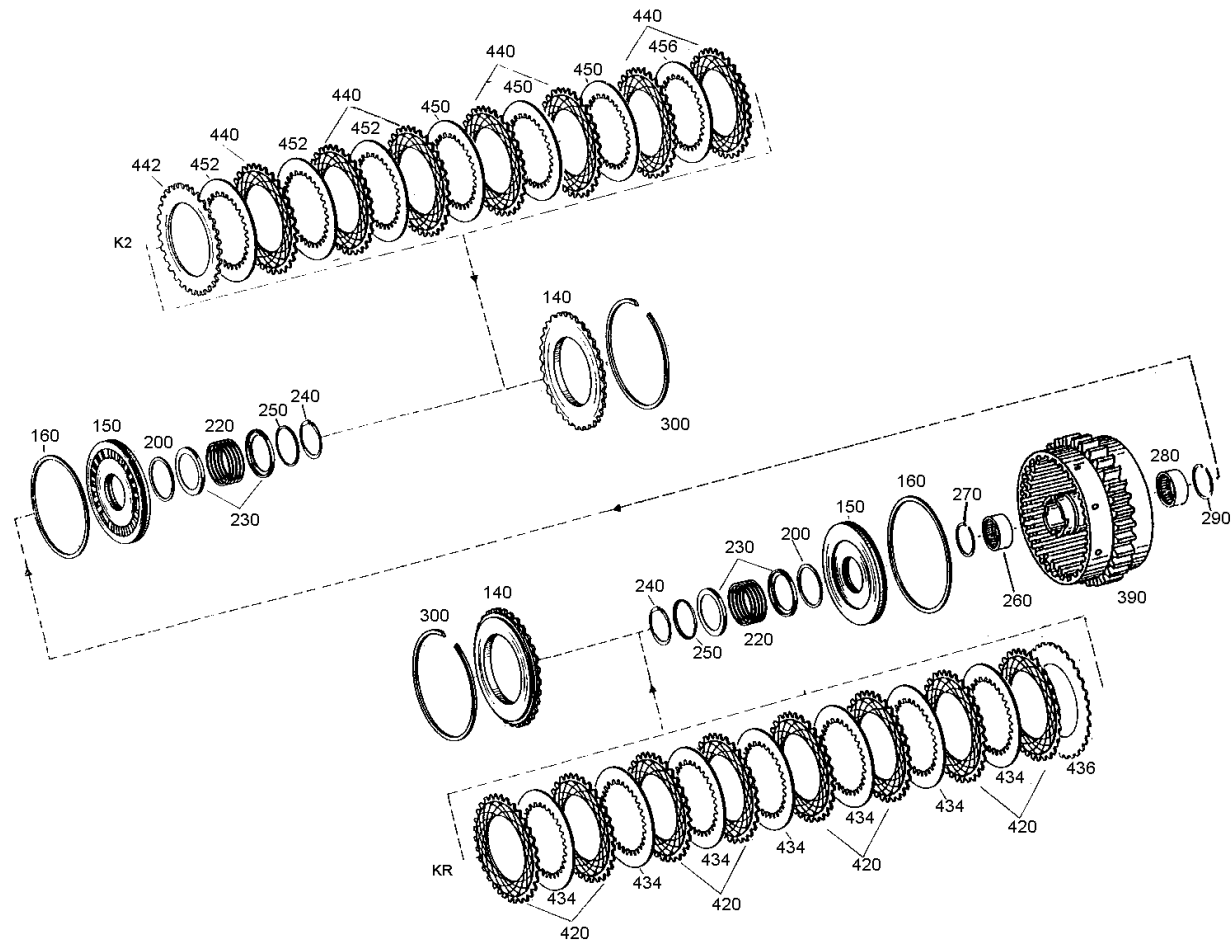
Material number: 4644.036.032

Plant: 464415211000

Material-assembly-group-no: 4644.152.126



6 WG 201 /
COUPLING



Plant

Page 1 from 1

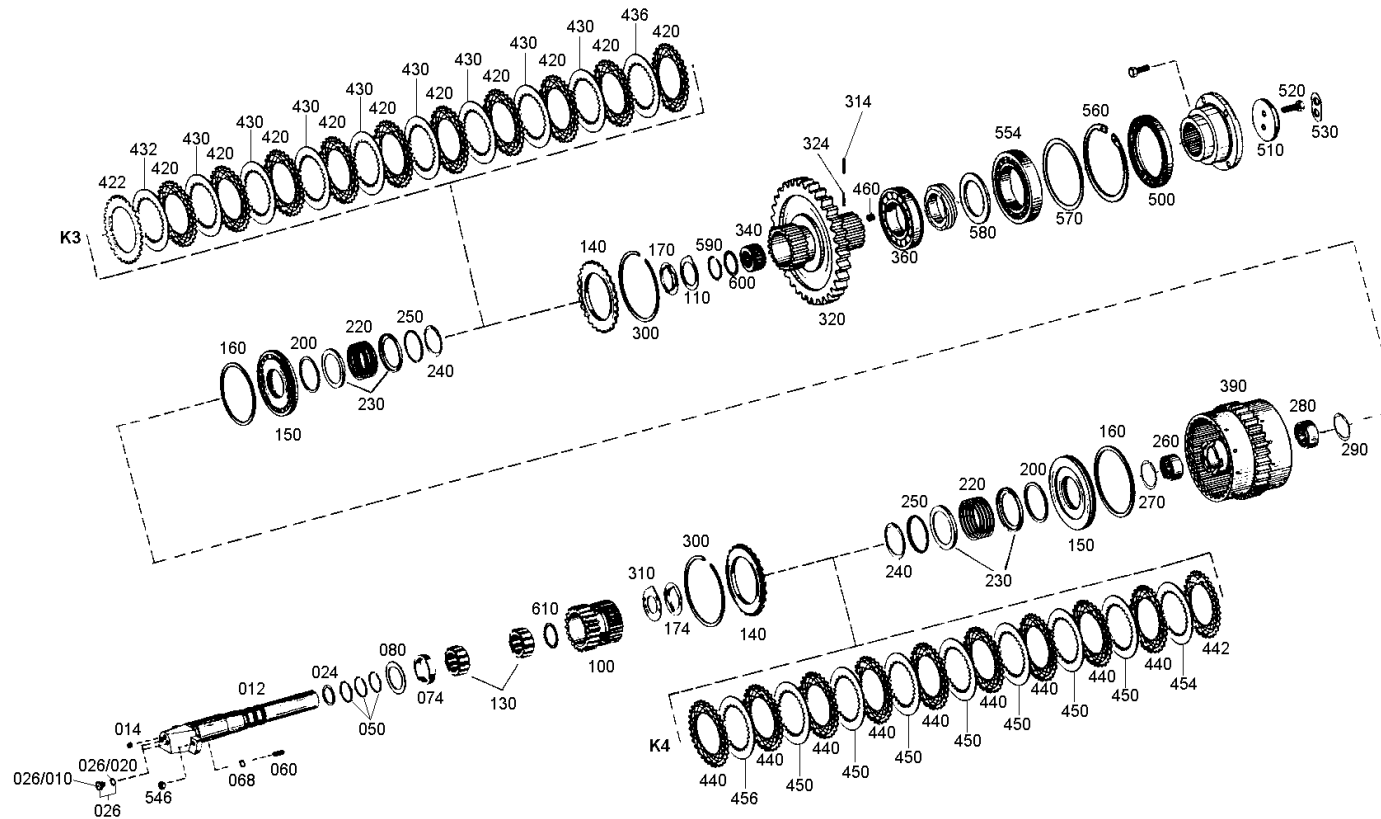
Material number: 4644.036.032

Plant: 464415311000

Material-assembly-group-no: 4644.153.117



6 WG 201 /
COUPLING



Plant

Page 1 from 1

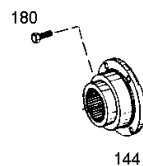
Material number: 4644.036.032

Plant: 464415311100

Material-assembly-group-no: 4644.153.414



6 WG 201 /
CLUTCH



Plant

Page 1 from 1

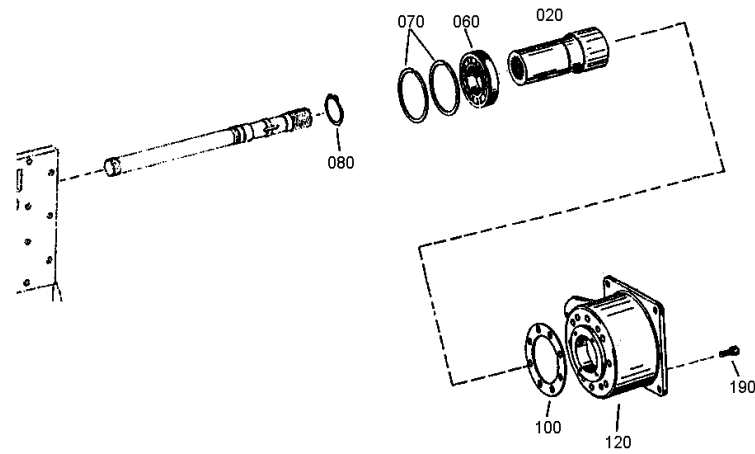
Material number: 4644.036.032

Plant: 464415410700

Material-assembly-group-no: 4644.154.069



6 WG 201 /
POWER TAKE-OFF



Plant

Page 1 from 1

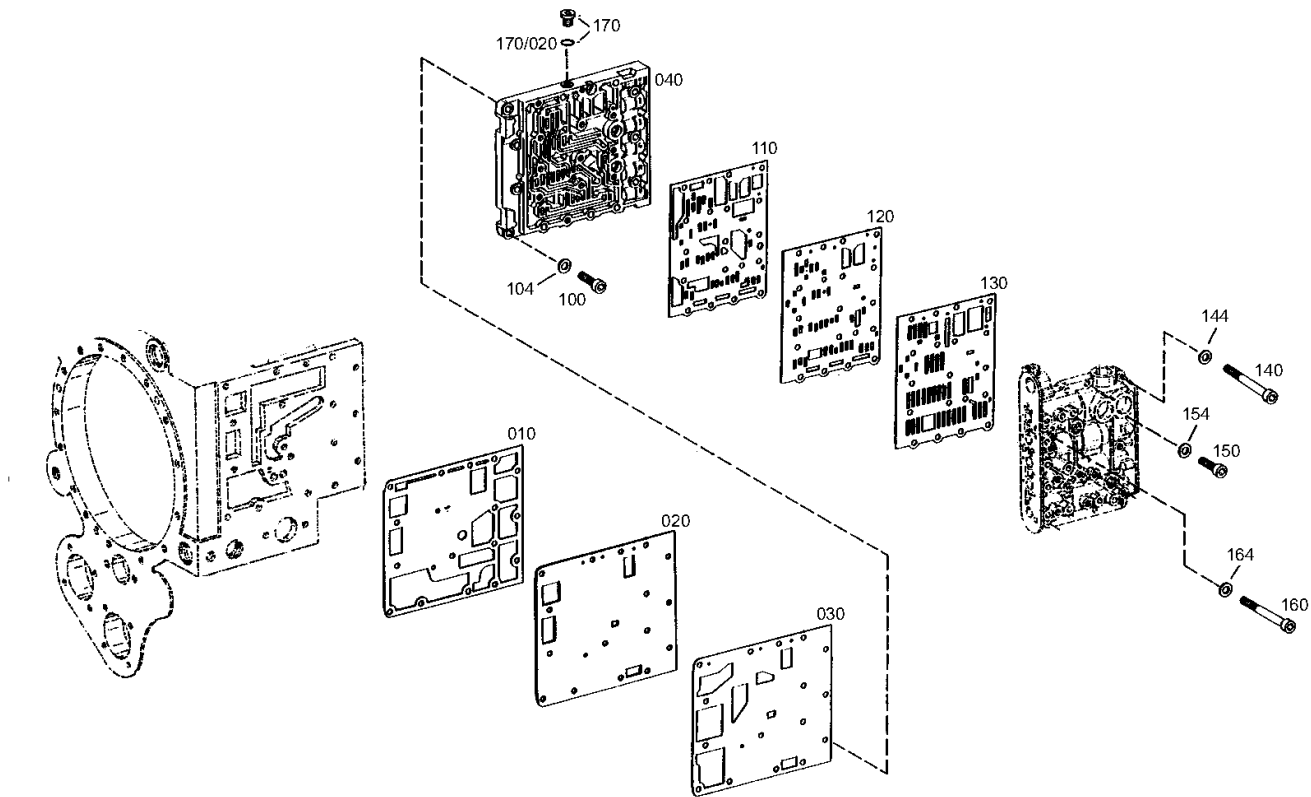
Material number: 4644.036.032

Plant: 464410630100

Material-assembly-group-no: 4644.106.301



6 WG 201 /
SHIFT SYSTEM



Plant

Page 1 from 1

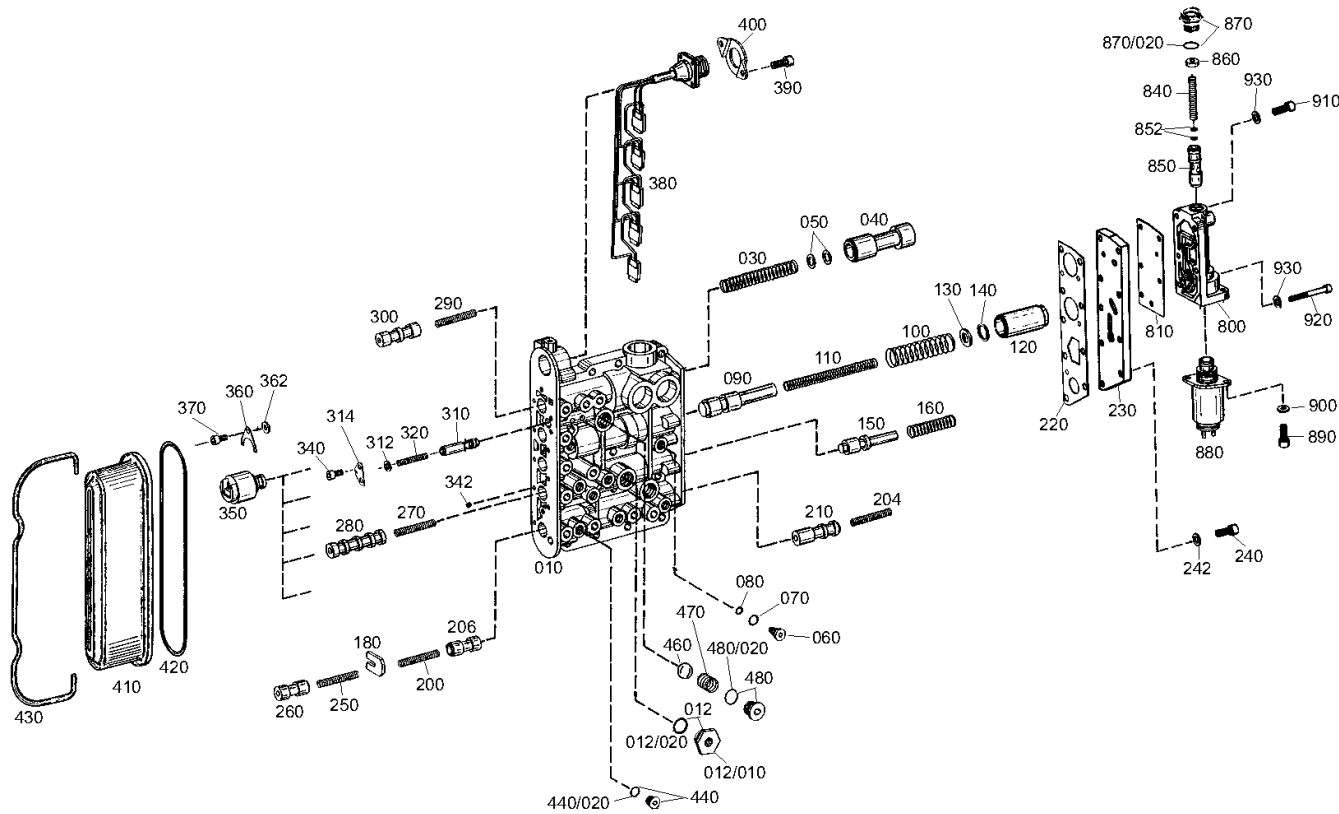
Material number: 4644.036.032

Plant: 464415930200

Material-assembly-group-no: 4644.159.302



6 WG 201 /
SHIFT SYSTEM



Plant

Page 1 from 1

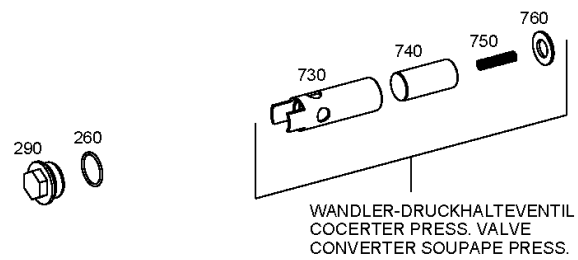
Material number: 4644.036.032

Plant: 464412102000

Material-assembly-group-no: 4644.120.020



6 WG 201 /
PRESSURE REGULATOR



Plant

Page 1 from 1

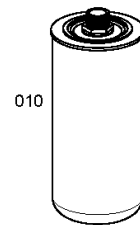
Material number: 4644.036.032

Plant: 464413800100

Material-assembly-group-no: 4644.138.001



6 WG 201 /
FILTER



Plant

Page 1 from 1

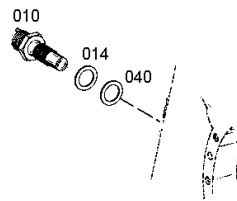
Material number: 4644.036.032

Plant: 464412510600

Material-assembly-group-no: 4644.125.007



6 WG 201 /
INDUCTIVE SENSOR



Plant

Page 1 from 1

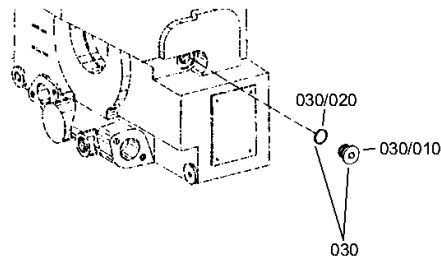
Material number: 4644.036.032

Plant: 464412547200

Material-assembly-group-no: 4644.125.472



6 WG 201 /
INDUCTIVE SENSOR



Plant

Page 1 from 1

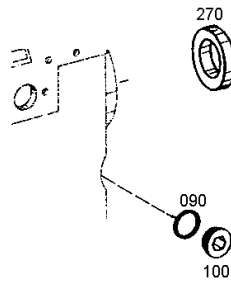
Material number: 4644.036.032

Plant: 464410700100

Material-assembly-group-no: 4644.107.401



6 WG 201 /
SPEEDOMETER



Plant

Page 1 from 1

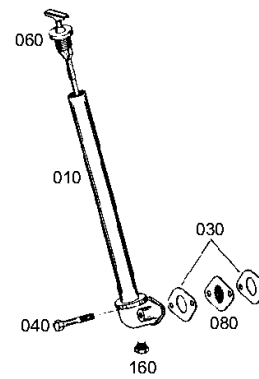
Material number: 4644.036.032

Plant: 464413111500

Material-assembly-group-no: 4644.131.071



6 WG 201 /
FILLER NOZZLE



Plant

Page 1 from 1

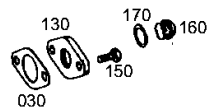
Material number: 4644.036.032

Plant: 464413140100

Material-assembly-group-no: 4644.131.401



6 WG 201 /
FILLER NOZZLE



Plant

Page 1 from 1

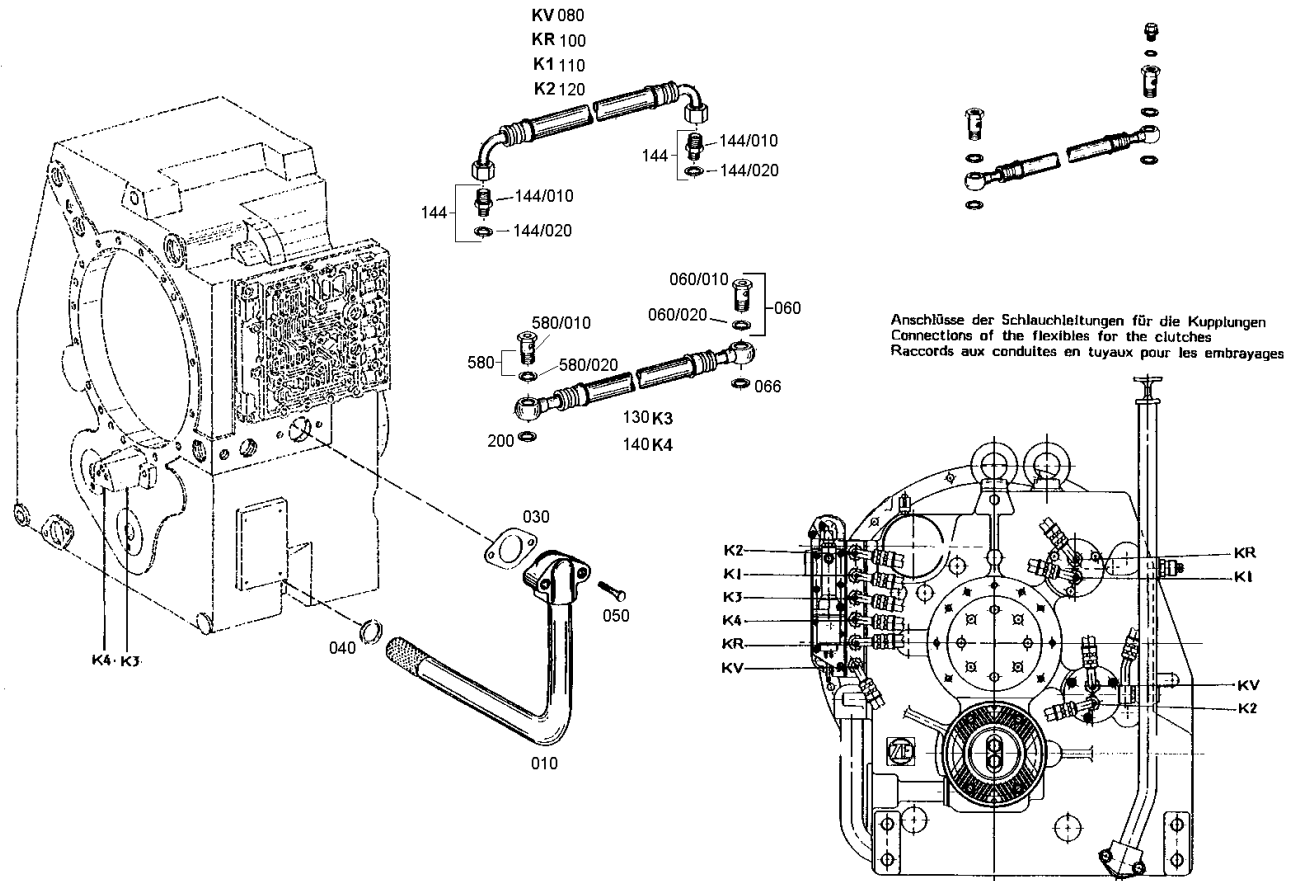
Material number: 4644.036.032

Plant: 464412110700

Material-assembly-group-no: 4644.121.101



6 WG 201 /
OIL PIPE



Plant

Page 1 from 1

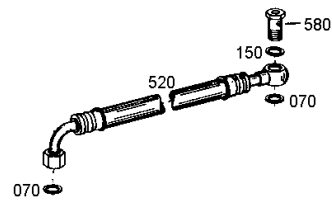
Material number: 4644.036.032

Plant: 464412111100

Material-assembly-group-no: 4644.121.428



6 WG 201 /
OIL PIPE



Plant

Page 1 from 1

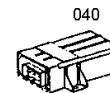
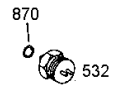
Material number: 4644.036.032

Plant: 464419905200

Material-assembly-group-no: 4644.199.877



6 WG 201 /
LOOSE PARTS



Material number: 4644.036.032

Plant: 464429833600

Material-assembly-group-no: 4644.298.336



6 WG 201 /
SEAL KIT

- Alternativ zur Bestellung von einzelnen Dichtungsteilen bieten wir als Vereinfachung bzw. Erleichterung komplette Dichtungssätze an, und zwar:
1. Kompletter Dichtungssatz, bestehend aus sämtlichen Dichtungsteilen (Wellendichtringe, Runddichtringe, O-Ringe, Profildichtringe, Rechteckringe und Flachdichtungssatz).
 2. Flachdichtungssatz
Bei der Bestellung eines Dichtungs-, oder eines Flachdichtungssatzes sind generell Type, Stücklistennummer, Aggregatnummer und Fabrikat des Fahrzeuges anzugeben.

- Instead of placing an order for individual sealing parts we offer you complete sets of seals as a simpler and easier alternative, i.e.:
1. Complete sets of seals consisting of all sealing parts (seals, slip-ring seals, o-ring seals, profile seals, rectangular rings and flat gasket set)
 2. flat gasket set
When placing an order for a set of seals or a flat gasket set, always indicate type, parts list number, unit number and vehicle type.

- Au lieu de passer une commande pour les pièces de joint individuelles nous vous offrons une alternative plus simple et plus facile, c'est-à-dire, vous pouvez commander:
1. un jeu complet de joints qui se compose de (garnitures en anneaux, joints à anneaux, joints toriques, étoupes profilées, anneaux rectangulaires et jeu de garniture plate)
 2. un jeu de garniture plate
Dans les commandes pour un jeu complet de joints ou bien un jeu de garniture plate il faut chaque fois indiquer le type, la nomenclature, le numéro de l'agrégat ainsi que le type du véhicule.

- Invece dell'ordinazione di singoli elementi di tenuta Vi offriamo come alternativa più facile e comoda i seguenti corredi guarnizioni completi:
1. Corredo guarnizioni completo, composto da tutti gli elementi di tenuta (anelli di tenuta sull'albero, anelli di tenuta in gomma a sezione circolare, anelli O-ring, anelli di tenuta con profilo, anelli a sezione rettangolare e corredo guarnizioni piatte).
 2. Corredo guarnizioni piatte
Nell'ordine del corredo guarnizioni o corredo guarnizioni piatte specificare sempre il tipo, il no della nomenclatura, il numero del gruppo e prodotto del veicolo.

- En lugar de hacer un pedido para las piezas de juntas individuales le ofrecemos juegos de juntas completos como una alternativa más simple y más fácil, es decir:
1. un juego completo de juntas compuesto por todas las piezas de juntas (retenes de eje, anillos de junta, anillos tóricos, anillos retén de perfil, anillos rectangulares y juego de juntas planas)
 2. un juego de juntas planas
Al hacer un pedido de un juego completo de juntas o de un juego de juntas planas se indicará siempre el tipo, el número de la lista de piezas, el número de conjunto así como el tipo de vehículo.

Kompletter Dichtungssatz	4644 298 336	Flachdichtungssatz	4644 298 337
Complete set of seals		flat gasket set	
Jeu complet de joints		un jeu de garniture plate	
Corredo guarnizioni completo		Corredo guarnizioni piatte	
Juego completo de juntas		un juego de juntas planas	