



# Spare Parts Catalog

4 WG 260

Material number: 4646.054.114

Current date: 29.07.2021

ZF Friedrichshafen AG  
Hauptverwaltung  
80038 Friedrichshafen  
Deutschland

Telefon: +49 7541 77-0

Telefax: +49 7541 77-908000

[www.zf.com](http://www.zf.com)

zuständiges Werk:  
Passau

# Notes relating to the spare parts catalog

## Setup of the spare parts catalog

- Cover sheet
- Technical Cover (only in SDM print)
- Overview of figures
- Figure
- Associated parts list
- Next figure
- Associated parts list
- ...

## Figure and parts list



## Overview of figures

Bildtafel Figure	Sachnummer Product number	Benennung (Description)	Technische Info Technical info	Description (Benennung)	Menge Quantity	Einheit Unit
068.08.17	1316.170.001	AUSLEGER	WL	SHIFT TURRET	1	Stk
068.08.06	1316.170.031	DECKEL	WL*H-H *VM	COVER	1	Stk
068.08.14	1316.170.808	DECKEL	WL*AUSL+GEH*H-H*HF160N	COVER	1	Stk
08	1316.170.441	ANSCHLUSSTEILE	WL*NG-VORB*RG-SCHL*168N *BAJONETT	CONNECTING PARTS	1	Stk

The "gap" indicates that there is no separate graphics panel (poster) for this assembly  
The parts of this assembly are shown with the same mid-section number on the figure

### 1 Positions and subpositions

Pos.	Sachnummer Product number	Benennung (Description)	Technische Info Technical info	Description (Benennung)	Menge Quantity	Einheit Unit
0370	1315.201.054	RUECKLAUFBOLZEN	KPL.16S151*SG*L= 79	REV.IDLER SHAFT	1	Stk
/0120	0631.329.293	SPANNSTIFT		SLOT. PIN	1	Stk

Positions marked with "/" are the individual items of a completion  
For example: Position 0370 contains a centering pin with the position /0120

### 2 Combinations with standardized parts

Pos.	Sachnummer Product number	Benennung (Description)	Technische Info Technical info	Description (Benennung)	Menge Quantity	Einheit Unit
0630		VERSCHL.SCHR.		SCREW PLUG	1	Stk
	0636.302.067	VERSCHL.SCHR.		SCREW PLUG	1	Stk
	0634.801.249	DICHTRING	A 26 X 31	SEALING RING	1	Stk

The parts list shows the components included in the combination of standardized parts

### 3 Depiction of position/item number on the figure and in the parts list

01.620 - on the figure      01 relates to the assembly in which the position is included. Due to program-related reasons, it is shown on the figure.

0620 - in the parts list

Pos.	Sachnummer Product number	Benennung (Description)	Technische Info Technical info	Description (Benennung)	Menge Quantity	Einheit Unit
0620	0732.040.736	DRUCKFEDER		COMPRESSION SPRING	1	Stk

### 4 \*-Positions

Positions marked with an \* are optional i.e. inclusion in the parts list is not mandatory.  
The following note is shown on the figure

je nach Stücklistenausführung  
depending on spec. number  
\*  
suivant la nomenclature  
secondo la distinta base

### 5 Parts, dotted display

Parts with dotted display on the figure are only used for orientation of other parts

# Technical Cover

Page 1 from 3

Material number: 4646.054.114



4 WG 260 /

Pos.	Information	Amendment number
	CUSTOMER: LIUGONG	
	VEHICLE DATA 1 : 1	
	1.PERFORMANCE CALC.: 4646 709 064	
	VEHICLE DESIGNATION: LADER CLG877 III	
	WEIGHT EMPTY: 23,500 TO	
	ENGINE: CUMMINS QSM11 FR20043 TIER3	
	ENGINE POWER: 238,6 KW	
	SPEED: 1800 U/MIN	
	INPUT TORQUE: 1478 NM	
	SPEED: 1400 U/MIN	
	TYRE SIZE: 26,5 X 25	
	TYRE RADIUS DYN.: 0,840 M	
	AXLE RATIO: 23,334	
	MAX. SPEED: 39,0 KM/H	
	PRODUCT DESCRIPTION: ZF-ERGOPOWER L	
	TRANSMISSION TYPE 4 WG 260 (4)	
	DROP CENTER DISTANCE: 575 MM	
	VEHICLE: WHEEL LOADER	
	1. GEAR FORWARD: 3,731	
	2. GEAR FORWARD: 2,207	
	3. GEAR FORWARD: 0,970	
	4. GEAR FORWARD: 0,625	
	1. GEAR REVERSE: 3,731	
	2. GEAR REVERSE: 2,207	
	3. GEAR REVERSE: 0,970	
	NUMBER OF PULSES ENGIN: 60	
	NUMBER OF PULSES TURB: 59	
	NUMBER OF PULSES MRK: 91	
	NUMBER OF PULSES OUTP.: 64	
	SHIFTED CLUTCHES 1G.KV/K1 2G.KV/K2 3G.KV/K3	
	SHIFTED COUPLING 4G.K4/K3	
	CONVERTER: W 370	
	CONVERTER PART NR.: 037 H 054	

# Technical Cover

Page 2 from 3

Material number: 4646.054.114



4 WG 260 /

Pos.	Information	Amendment number
	LOCK-UP CLUTCH: WITHOUT	
	STALL TORQUE RATIO: 2,98	
	TORQUE CONVERTER ABSORP 191 NM	
	STATOR FREEWHEEL: WITHOUT	
	ENGINE INPUT: DIRECT MOUNTED TO ENGINE	
	ENGINE: CUMMINS	
	ENGINE-CONNECTION: SAE 1 4646 500 275	
	OUTPUT: STANDARD	
	GEAR BOX SUMP STANDARD	
	OUTPUT FLANGE CONVERTER MECH 8,5 C	
	OUTPUT PTO SIDE: WITH PARKING BRAKE	
	DISC BRAKE: SAHR FSG 110	
	RELEASE PRESSURE: 120 - 150 BAR	
	MEDIUM: HYDRAULIK OIL DIN 51525	
	CONNECTION BRAKE PRESSU JIC 9/16-18	
	OUTPUT FLANGE PTO SIDE: MECH 8,5 C	
	1.POWER TAKE OFF: -----	
	1.PTO FLANGE: SAE C 2 HOLE M16 * 4 HOLE M14	
	DRIVER / PROFILE: SAE C 12/24 DP 14 T	
	3.POWER TAKE OFF: -----	
	2.PTO FLANGE: SAE C 2 HOLE M16 * 4 HOLE M14	
	DRIVER / PROFILE: SAE C 12/24 DP 14 T	
	RATIO 3 PTO 1 : 1	
	GEAR CHANGE CONTROL: ZF-ERGOSHIFT/ PROP VALVE	
	VOLTAGE: 24 VOLT	
	SPEED CONTROL: CONNECTION VIA EST	
	OIL LEVEL TUBE: MOUNTED ON CONVERTER SIDE	
	OIL DIPSTICK: SHORT STRAIGHT	
	FILTER INSTALLATION: SEPARATE MOUNTED	
	PRES. DROP SWITCH: CLOSING SWITCH	
	ADAPTER WITHOUT	
	ADDITIONAL ADAPTER: WITHOUT	
	EMERGENCY STEERING PUMP MOUNTING POSSIBILITY	

# Technical Cover

Page 3 from 3

Material number: 4646.054.114



4 WG 260 /

Pos.	Information	Amendment number
	OIL TEMPERATURE SENSOR: WITH (WITHOUT GAUGE)	
	ELECTRIC PARTS ORDER: INCLUDED IN SCOPE OF SUPPLY	
	SEPARATE ORDER: WITHOUT	
	GROUP LOOSE PARTS: 4646 183 213	
	CONTROL UNIT: EST 37A	
	GEAR SELECTOR: DW 3	
	2ND GEAR SELECTOR: WITHOUT	
	DISPLAY: FOR SEPERATE MOUNTING	
	LOAD SENSOR: WITHOUT	
	WIRING: WITH	
	OIL CAPACITY: CA. 32 LITRE	
	GEARBOX OIL FILLING: WITHOUT	
	OIL-CLASS: OIL SPECIFICATION TE ML 03	
	PRIMER PAINT: YELLOW RAL 1006	
	CLUTCH PIPE 4646.121.096	
	DOCUMENTATION GEAR BOX: -----	
	SECTION DRAWING: 4646 054 049	
	INSTALLATION DRAWING: 4646 654 114	
	GEARBOX DIAGRAM: 4646 700 377	
	OIL CIRCUIT DIAGRAM: 4646 700 291	
	INSTALL. INSTRUCTIONS: 0000 702 271	
	DRAWING 6009 665 002	
	DRAWING GEAR SEL. 1: 6006 630 033	
	CONNECTION DIAGRAM: 6006 700 564	
	WIRING DIAGRAM: 6029 702 157	
	CONNECTION DIAGRAM: 6029 702 158	
	DRAWING DISPLAY: 6007 603 047	

# Assembly group overview

Page 1 from 3



4 WG 260 /

Material number: 4646.054.114

Graphics	Pos.	Material number	Name	Quantity	Amend. no.	Techn. Info.
4166037074 00	500	4166.037.074	CONVERTER	1		
4646102045 00	30	4646.102.045	INPUT	1		
4646102423 00	35	4646.102.423	INPUT	1		
4646101190 00	10	4646.101.190	TRANSMISSION HOUSING	1		
4646101486 00	12	4646.101.486	TRANSMISSION HOUSING	1		
4646101484 00	14	4646.101.484	TRANSMISSION HOUSING	1		
4646101488 00	16	4646.101.488	TRANSMISSION HOUSING	1		
4646108014 00	150	4646.108.014	COUNTERSHAFT	1		
4646151073 00	350	4646.151.073	COUPLING	1		
4646151486 00	352	4646.151.486	COUPLING	1		
4646151471 00	355	4646.151.471	COUPLING	1		
4646152079 00	360	4646.152.079	COUPLING	1		
4646152532 00	365	4646.152.532	COUPLING	1		
4646152548 00	362	4646.152.548	COUPLING	1		
4646153072 00	370	4646.153.072	COUPLING	1		
4646153457 00	375	4646.153.457	COUPLING	1		

# Assembly group overview

Page 2 from 3

Material number: 4646.054.114



4 WG 260 /

Graphics	Pos.	Material number	Name	Quantity	Amend. no.	Techn. Info.
464610303700	50	4646.103.037	OUTPUT	1		
464610345600	60	4646.103.456	OUTPUT	1		
464610901900	170	4646.109.019	PARKING BRAKE	1		
464610942300	70	4646.109.423	PARKING BRAKE	1		
464615405600	380	4646.154.056	POWER TAKE-OFF	1		
464615443500	390	4646.154.435	POWER TAKE-OFF	1		
464615501200	400	4646.155.012	POWER TAKE-OFF	1		
464615600800	420	4646.156.008	POWER TAKE-OFF	1		
464615642800	430	4646.156.428	POWER TAKE-OFF	1		
464610602200	110	4646.106.022	SHIFT SYSTEM	1		
465710640100	115	4657.106.401	SHIFT SYSTEM	1		
465615901901	120	4656.159.019	SHIFT SYSTEM	1		
464612201200	225	4646.122.012	PRESSURE OIL PUMP	1		
464613800400	330	4646.138.004	FILTER	1		
464612502350	250	4646.125.023	INDUCTIVE SENSOR	1		
464613702200	310	4646.137.022	EMERGENCY STEERING PUMP	1		

# Assembly group overview

Page 3 from 3

Material number: 4646.054.114



4 WG 260 /

Graphics	Pos.	Material number	Name	Quantity	Amend. no.	Techn. Info.
464613741400	320	4646.137.414	EMERGENCY STEERING PUMP	1		
464612400700	235	4646.124.007	TEMPERATURE SENSOR	1		
464613104410	290	4646.131.044	FILLER NOZZLE	1		
464613140100	295	4646.131.401	FILLER NOZZLE	1		
464612109601	210	4646.121.096	OIL PIPE	1		
464612141600	215	4646.121.416	OIL PIPE	1		
464616241600	20	4646.162.416	OIL PIPE	1		
464618321300	490	4646.183.213	LOOSE PARTS	1		
464619918800	335	4646.199.188	LOOSE PARTS	1		
414313900100	18	4143.139.001	TYPE PLATE	1		
	KIT	4646.298.914	DISC CARRIER	1		
	KIT	4646.298.916	DISC CARRIER	1		



# Plant

Page 1 from 1

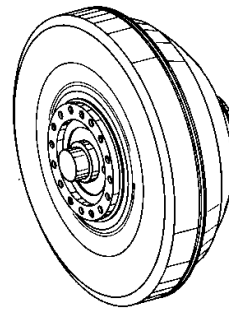
Material number: 4646.054.114

Plant: 416603707400

Material-assembly-group-no: 4166.037.074



4 WG 260 /  
CONVERTER



010

# Plant

Page 1 from 2

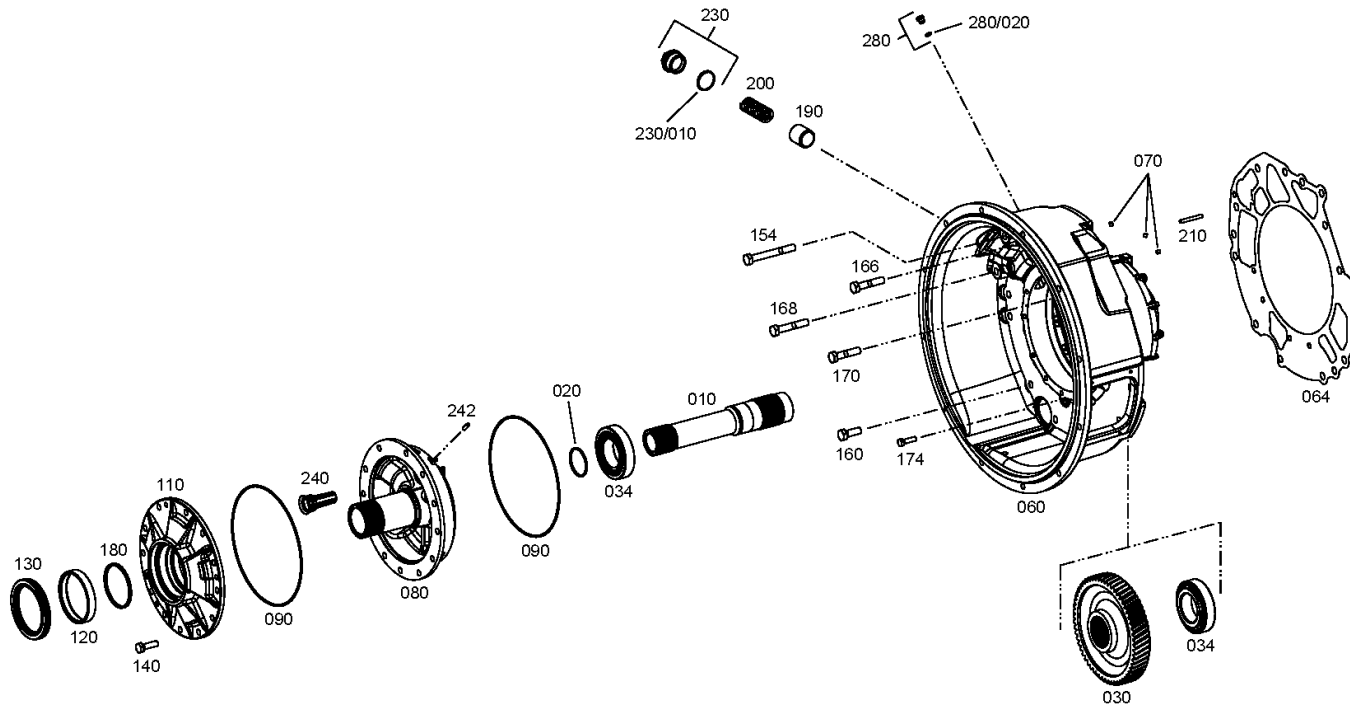
Material number: 4646.054.114

Plant: 464610204500

Material-assembly-group-no: 4646.102.045



4 WG 260 /  
INPUT



# Plant

Page 2 from 2

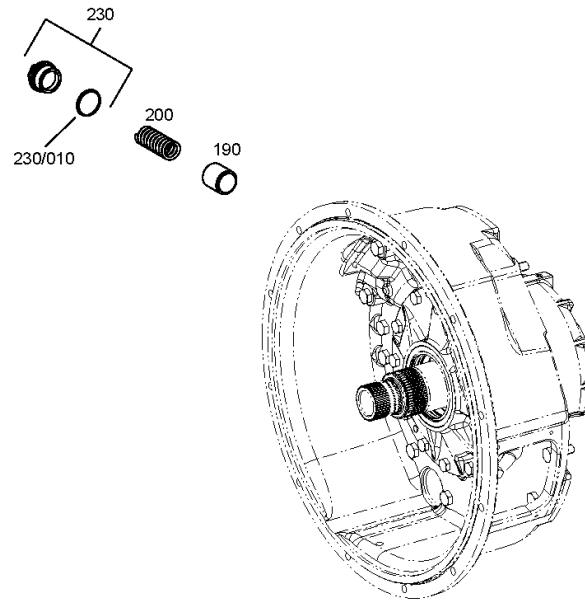
Material number: 4646.054.114

Plant: 464610204580

Material-assembly-group-no: 4646.102.045



4 WG 260 /  
INPUT



# Plant

Page 1 from 1

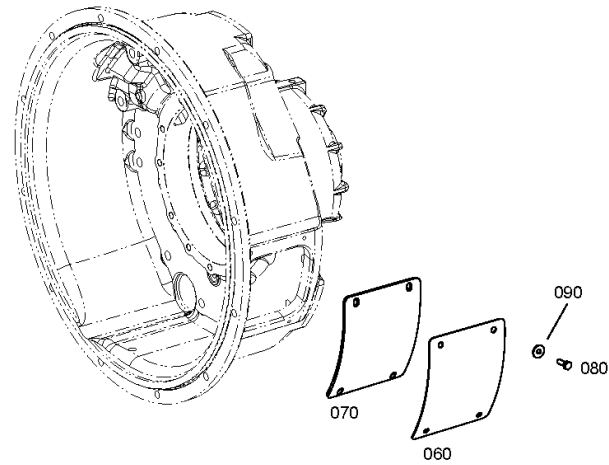
Material number: 4646.054.114

Plant: 464610242300

Material-assembly-group-no: 4646.102.423



4 WG 260 /  
INPUT



# Plant

Page 1 from 2

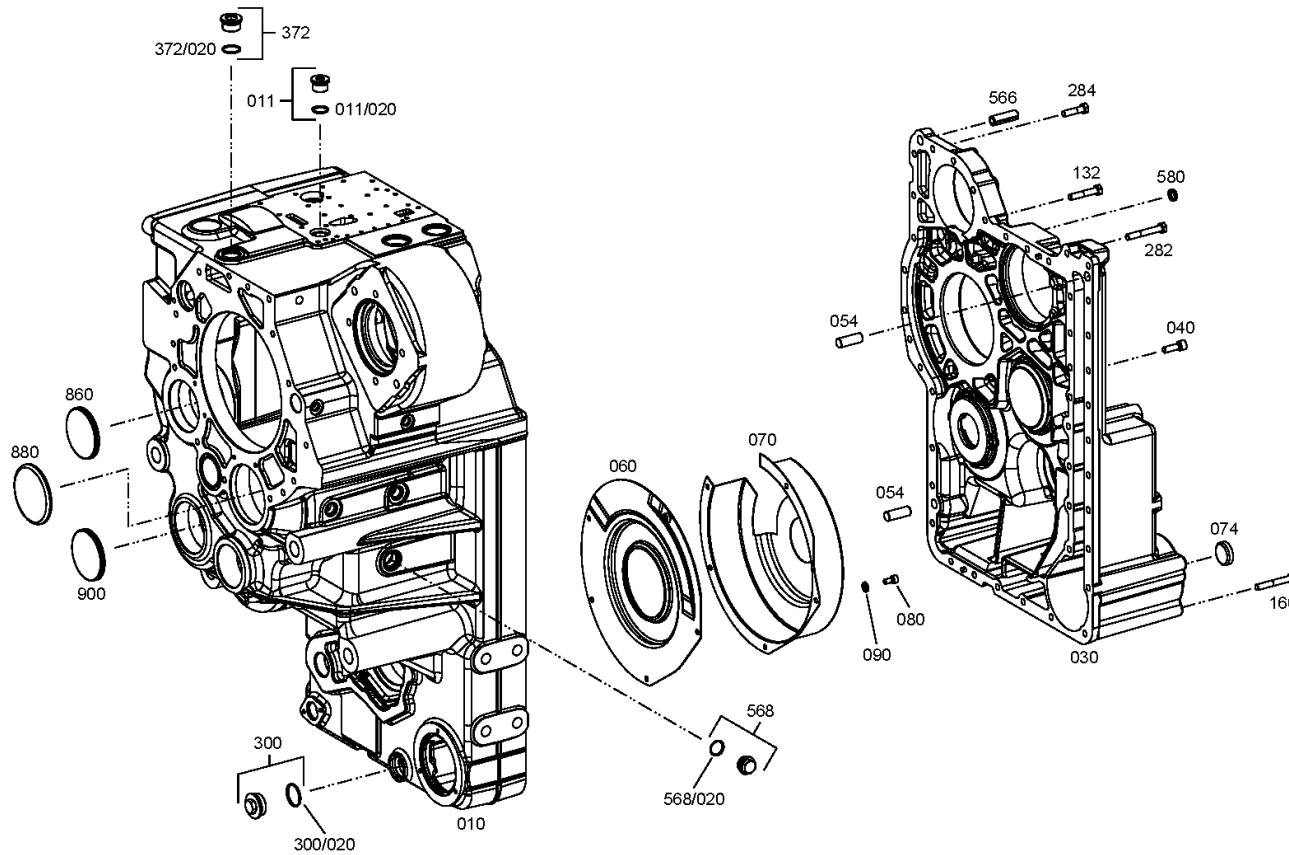
Material number: 4646.054.114

Plant: 464610119000

Material-assembly-group-no: 4646.101.190



4 WG 260 /  
TRANSMISSION HOUSING



# Plant

Page 2 from 2

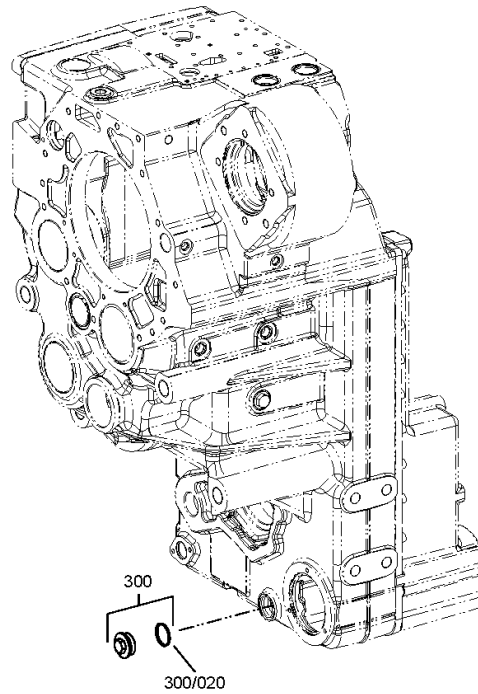
Material number: 4646.054.114

Plant: 464610119080

Material-assembly-group-no: 4646.101.190



4 WG 260 /  
TRANSMISSION HOUSING



# Plant

Page 1 from 2

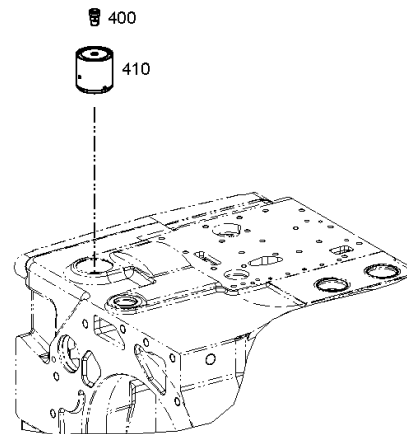
Material number: 4646.054.114

Plant: 464610148600

Material-assembly-group-no: 4646.101.486



4 WG 260 /  
TRANSMISSION HOUSING



# Plant

Page 2 from 2

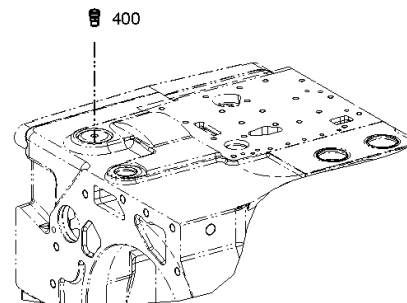
Material number: 4646.054.114

Plant: 464610148680

Material-assembly-group-no: 4646.101.486



4 WG 260 /  
TRANSMISSION HOUSING





# Plant

Page 1 from 1

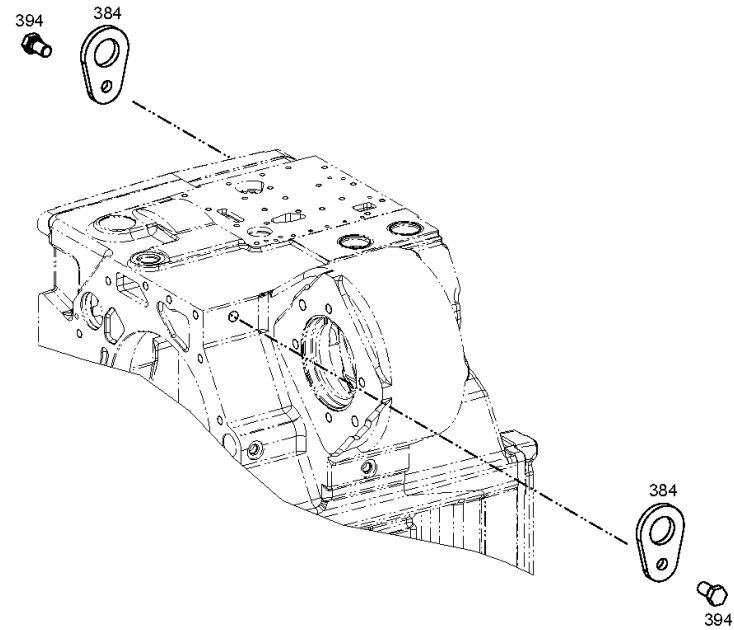
Material number: 4646.054.114

Plant: 464610148400

Material-assembly-group-no: 4646.101.484



4 WG 260 /  
TRANSMISSION HOUSING



# Plant

Page 1 from 1

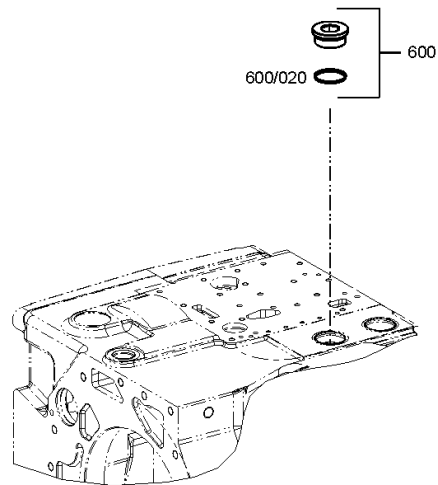
Material number: 4646.054.114

Plant: 464610148800

Material-assembly-group-no: 4646.101.488



4 WG 260 /  
TRANSMISSION HOUSING



# Plant

Page 1 from 1

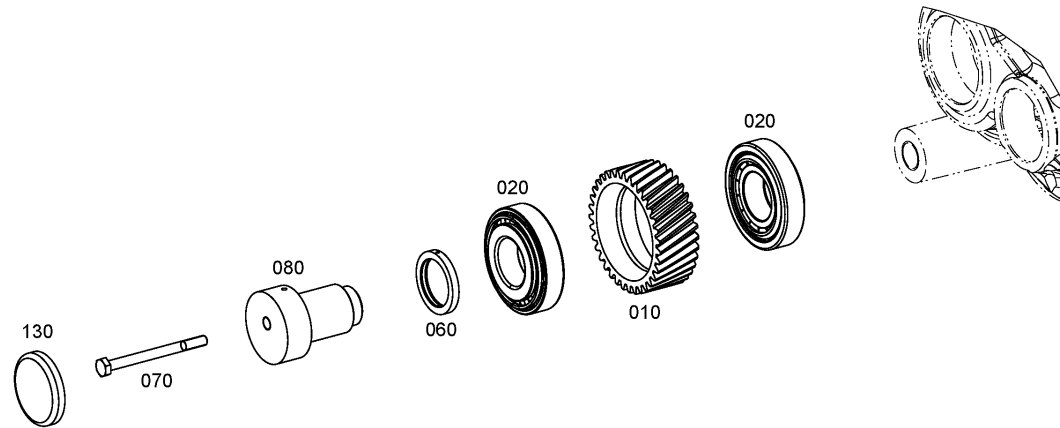
Material number: 4646.054.114

Plant: 464610801400

Material-assembly-group-no: 4646.108.014



4 WG 260 /  
COUNTERSHAFT



# Plant

Page 1 from 1

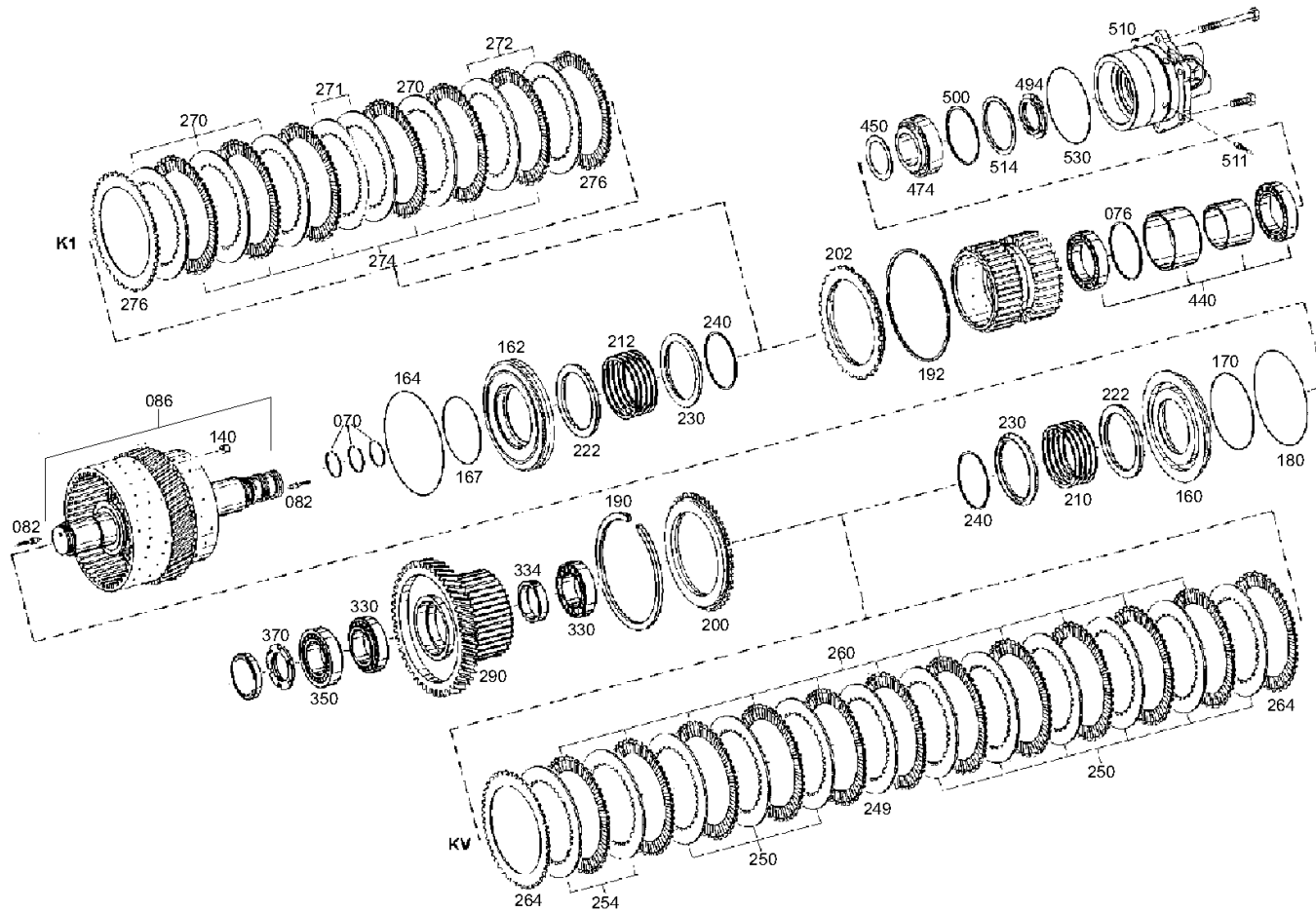
Material number: 4646.054.114

Plant: 464615107300

Material-assembly-group-no: 4646.151.073



4 WG 260 /  
COUPLING



# Plant

Page 1 from 1

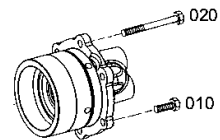
Material number: 4646.054.114

Plant: 464615148600

Material-assembly-group-no: 4646.151.486



4 WG 260 /  
COUPLING



# Plant

Page 1 from 1

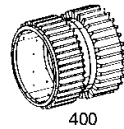
Material number: 4646.054.114

Plant: 464615147100

Material-assembly-group-no: 4646.151.471



4 WG 260 /  
COUPLING



# Plant

Page 1 from 1

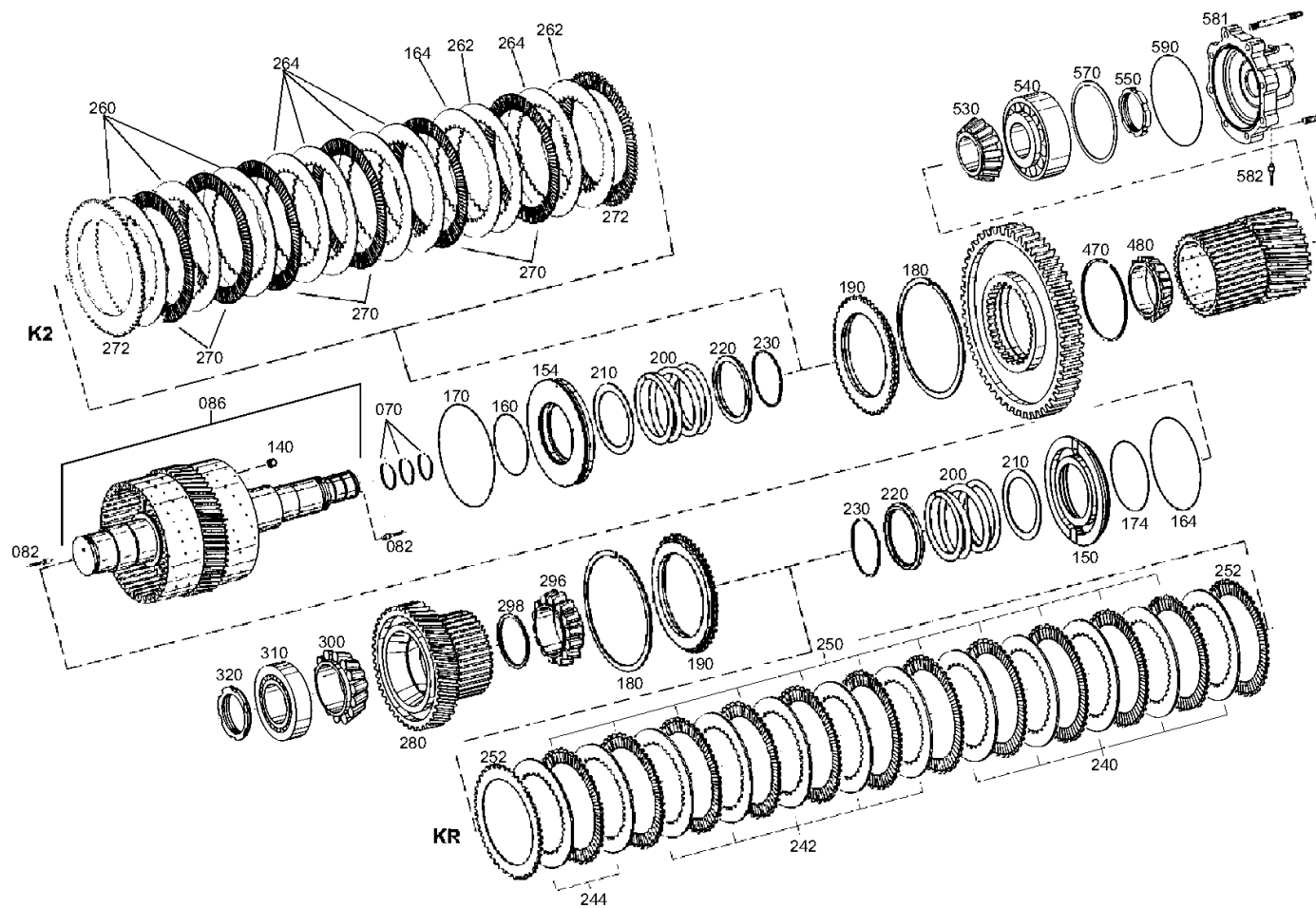
Material number: 4646.054.114

Plant: 464615207900

Material-assembly-group-no: 4646.152.079



4 WG 260 /  
COUPLING



# Plant

Page 1 from 1

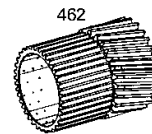
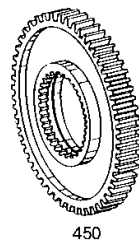
Material number: 4646.054.114

Plant: 464615253200

Material-assembly-group-no: 4646.152.532



4 WG 260 /  
COUPLING





# Plant

Page 1 from 1

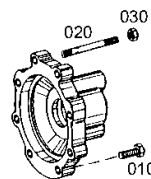
Material number: 4646.054.114

Plant: 464615254800

Material-assembly-group-no: 4646.152.548



4 WG 260 /  
COUPLING



# Plant

Page 1 from 1

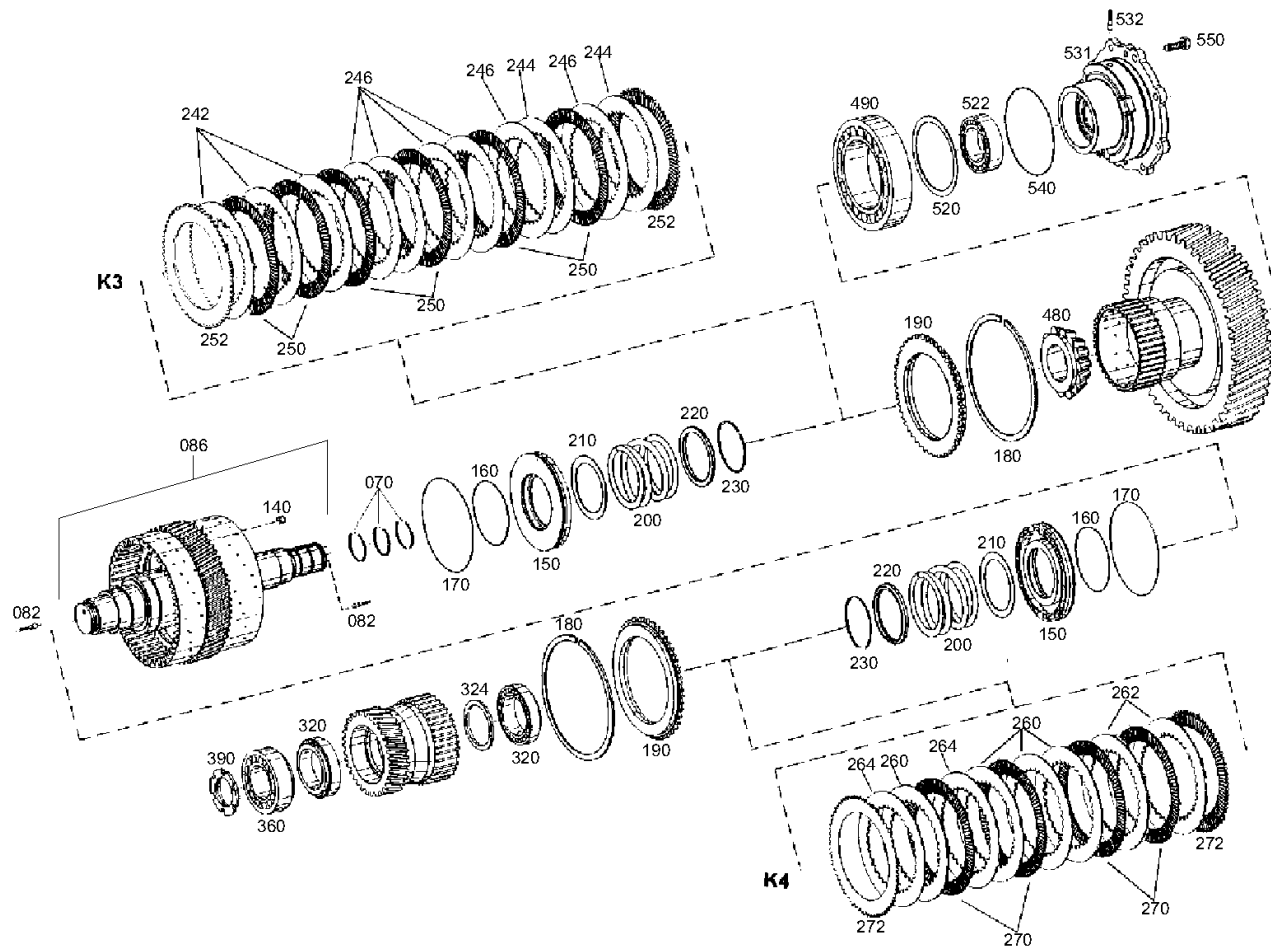
Material number: 4646.054.114

Plant: 464615307200

Material-assembly-group-no: 4646.153.072



4 WG 260 /  
COUPLING



# Plant

Page 1 from 1

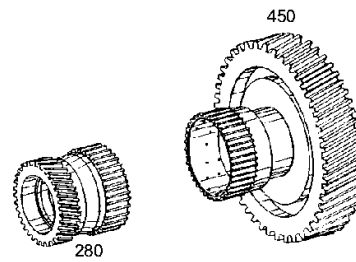
Material number: 4646.054.114

Plant: 464615345700

Material-assembly-group-no: 4646.153.457



4 WG 260 /  
COUPLING



# Plant

Page 1 from 2

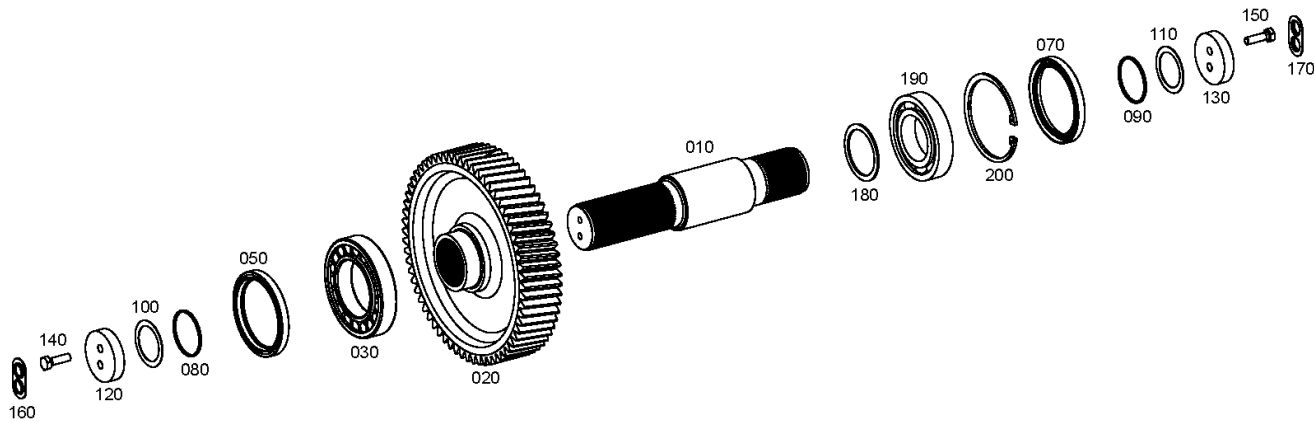
Material number: 4646.054.114

Plant: 464610303700

Material-assembly-group-no: 4646.103.037



4 WG 260 /  
OUTPUT



# Plant

Page 2 from 2

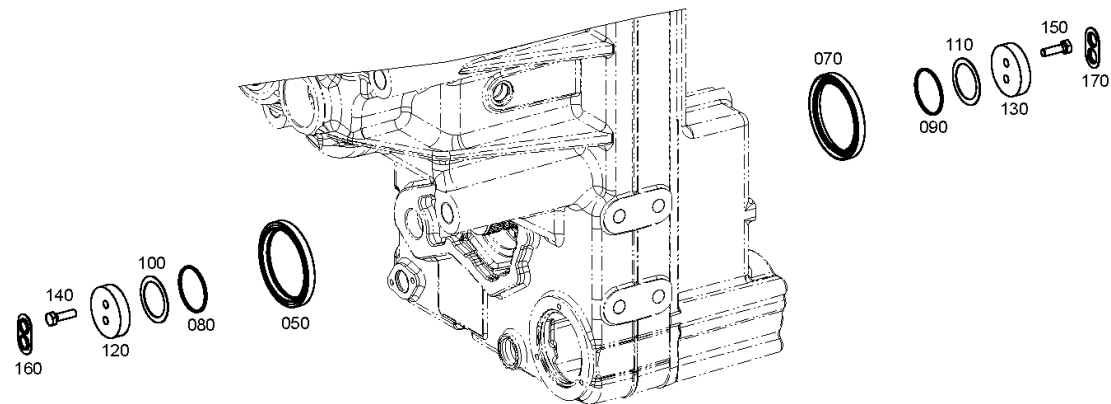
Material number: 4646.054.114

Plant: 464610303780

Material-assembly-group-no: 4646.103.037



4 WG 260 /  
OUTPUT



# Plant

Page 1 from 1

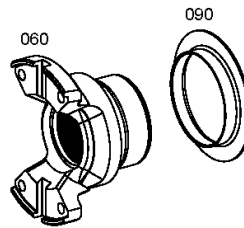
Material number: 4646.054.114

Plant: 464610345600

Material-assembly-group-no: 4646.103.456



4 WG 260 /  
OUTPUT



# Plant

Page 1 from 1

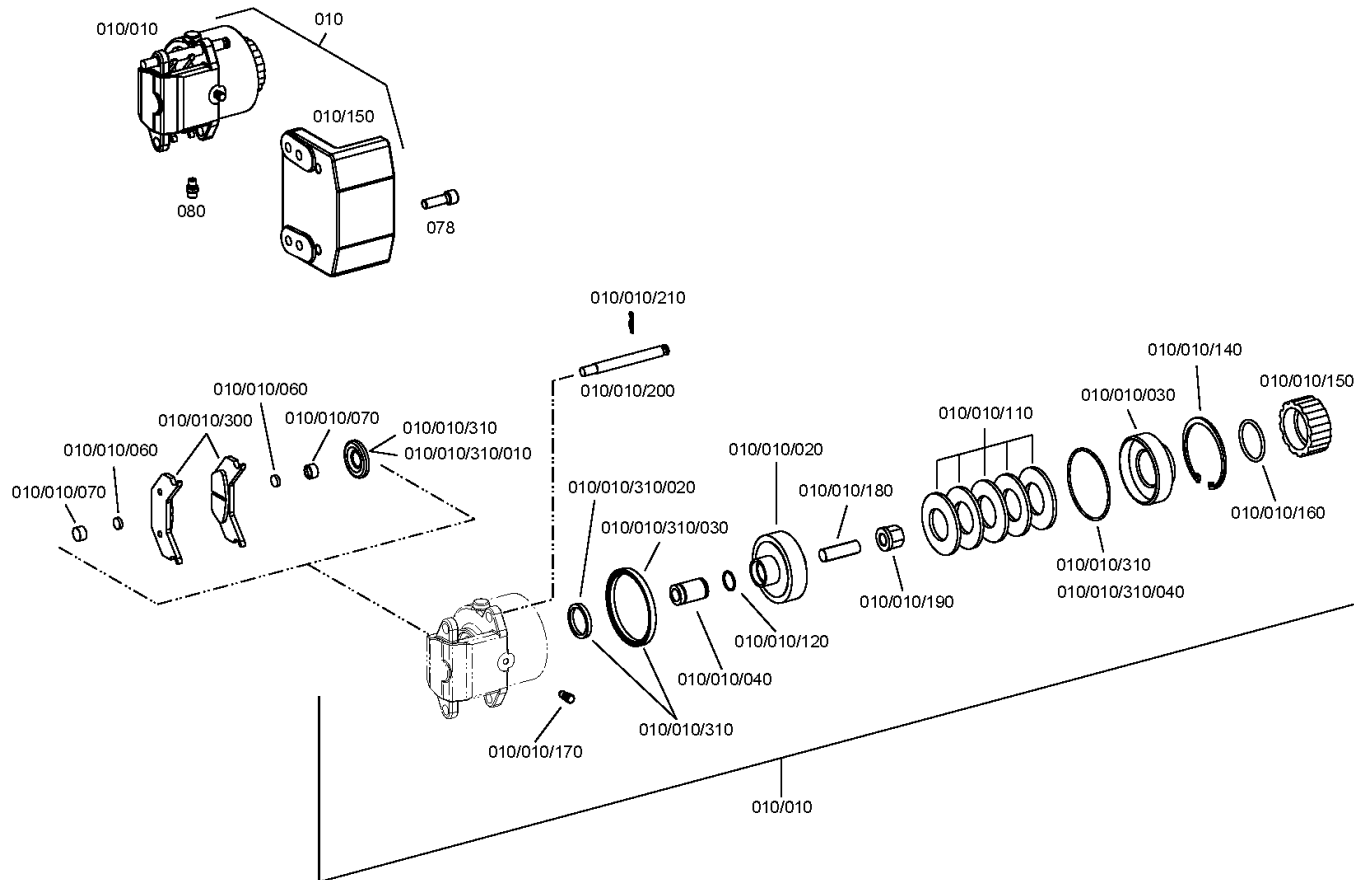
Material number: 4646.054.114

Plant: 464610901900

Material-assembly-group-no: 4646.109.019



4 WG 260 /  
PARKING BRAKE



# Plant

Page 1 from 1

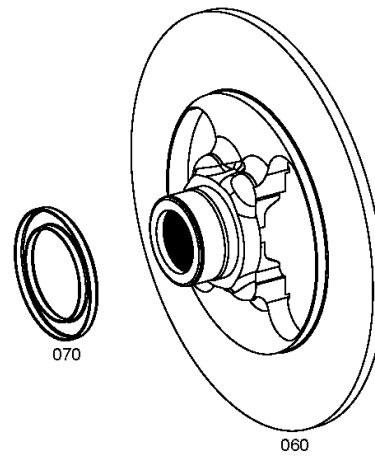
Material number: 4646.054.114

Plant: 464610942300

Material-assembly-group-no: 4646.109.423



4 WG 260 /  
PARKING BRAKE





# Plant

Page 1 from 1

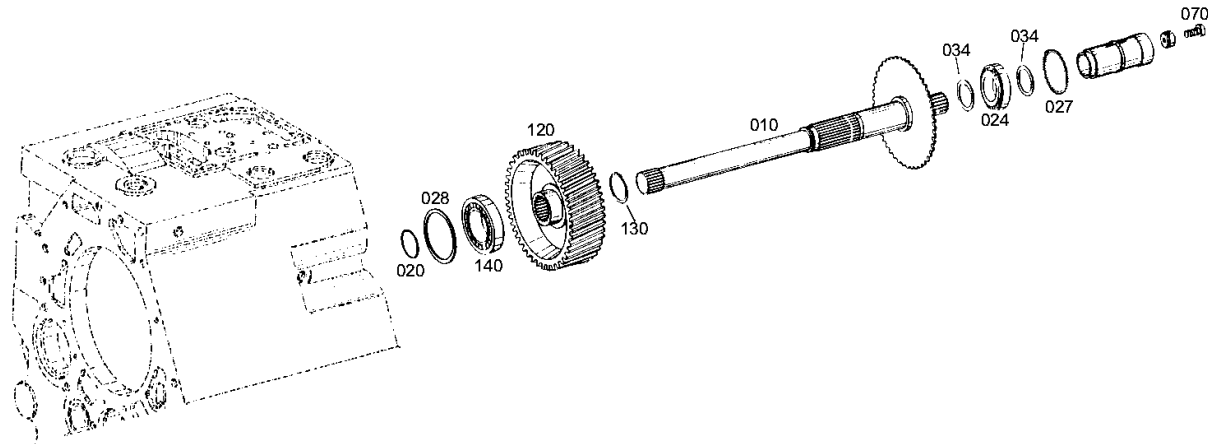
Material number: 4646.054.114

Plant: 464615405600

Material-assembly-group-no: 4646.154.056



4 WG 260 /  
POWER TAKE-OFF



# Plant

Page 1 from 1

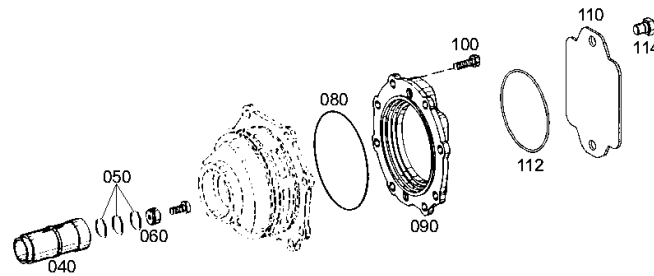
Material number: 4646.054.114

Plant: 464615443500

Material-assembly-group-no: 4646.154.435



4 WG 260 /  
POWER TAKE-OFF



# Plant

Page 1 from 1

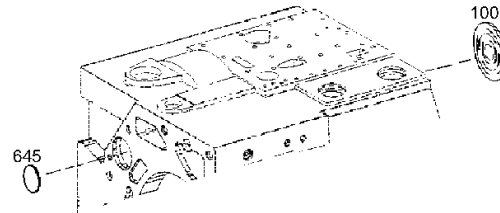
Material number: 4646.054.114

Plant: 464615501200

Material-assembly-group-no: 4646.155.012



4 WG 260 /  
POWER TAKE-OFF



# Plant

Page 1 from 1

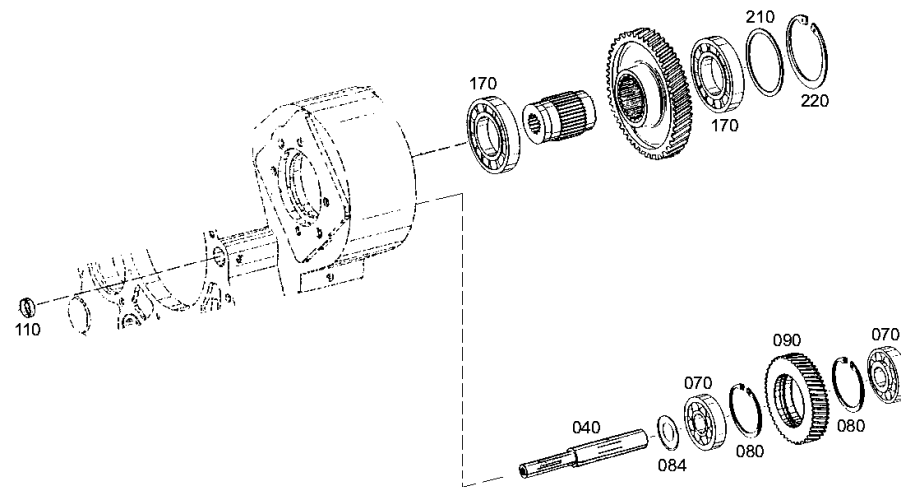
Material number: 4646.054.114

Plant: 464615600800

Material-assembly-group-no: 4646.156.008



4 WG 260 /  
POWER TAKE-OFF



# Plant

Page 1 from 1

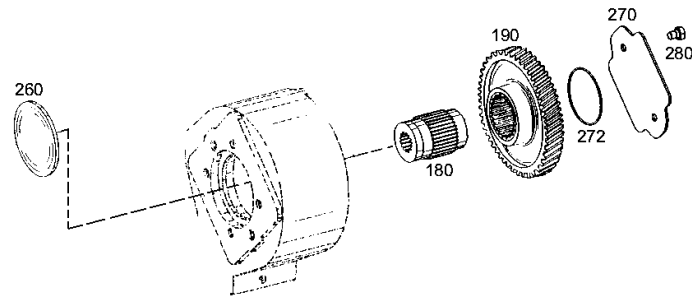
Material number: 4646.054.114

Plant: 464615642800

Material-assembly-group-no: 4646.156.428



4 WG 260 /  
POWER TAKE-OFF



# Plant

Page 1 from 2

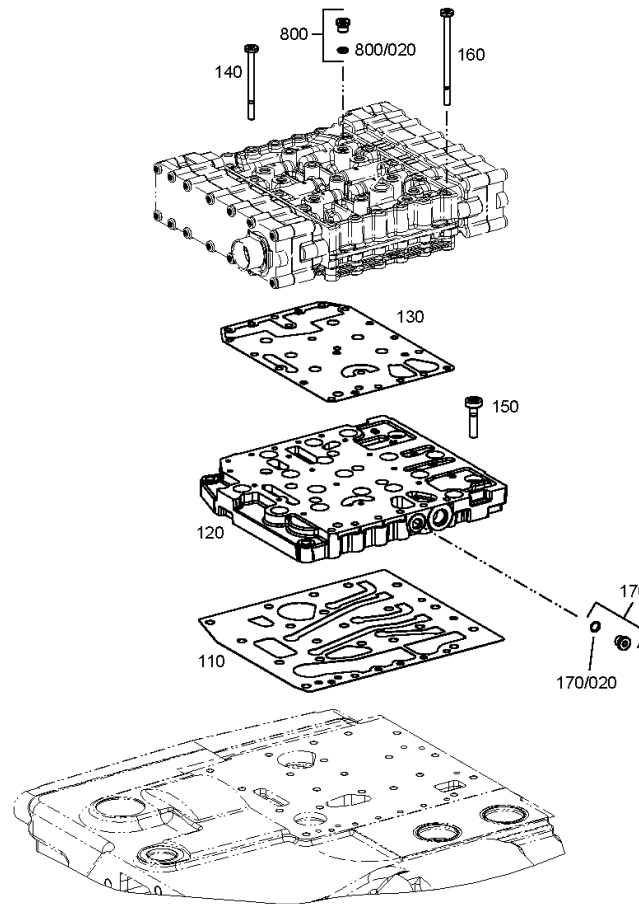
Material number: 4646.054.114

Plant: 464610602200

Material-assembly-group-no: 4646.106.022



4 WG 260 /  
SHIFT SYSTEM



# Plant

Page 2 from 2

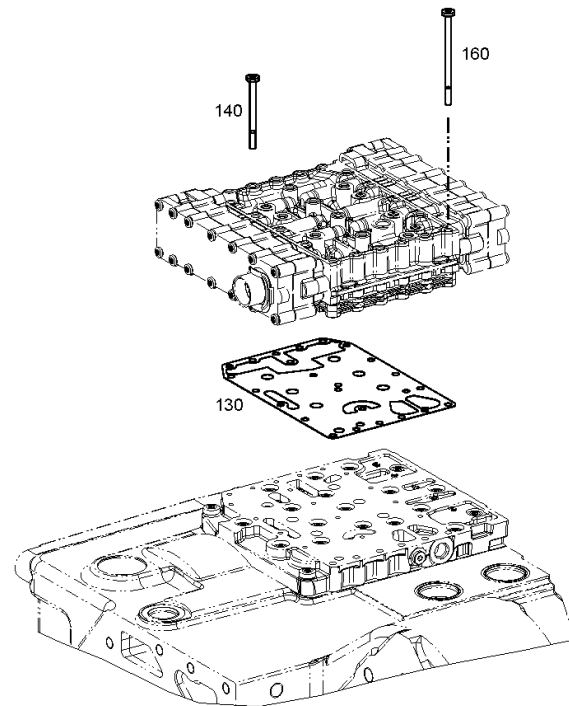
Material number: 4646.054.114

Plant: 464610602280

Material-assembly-group-no: 4646.106.022



4 WG 260 /  
SHIFT SYSTEM



# Plant

Page 1 from 1

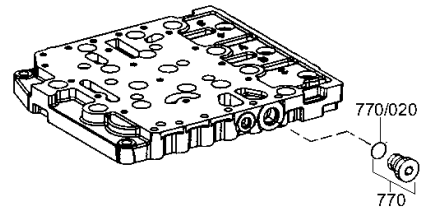
Material number: 4646.054.114

Plant: 465710640100

Material-assembly-group-no: 4657.106.401



4 WG 260 /  
SHIFT SYSTEM





# Plant

Page 1 from 2

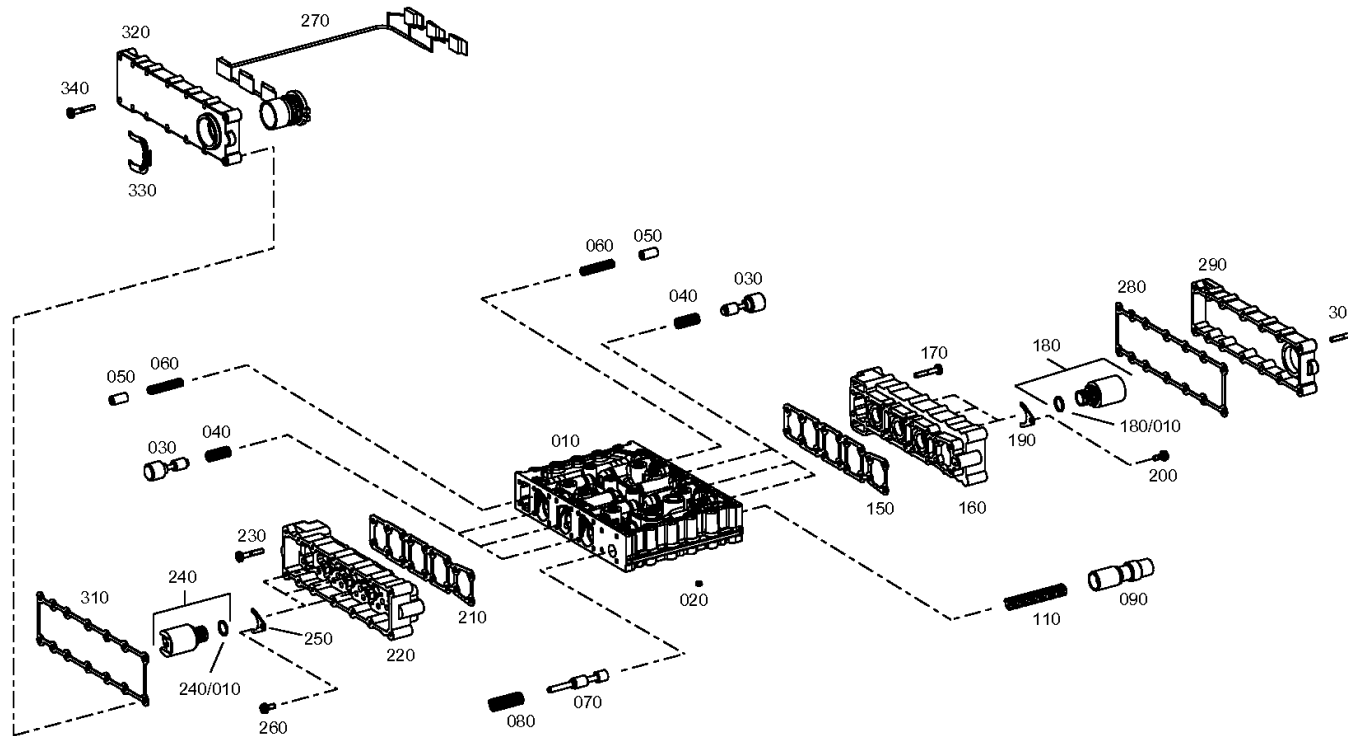
Material number: 4646.054.114

Plant: 465615901901

Material-assembly-group-no: 4656.159.019



4 WG 260 /  
SHIFT SYSTEM



# Plant

Page 2 from 2

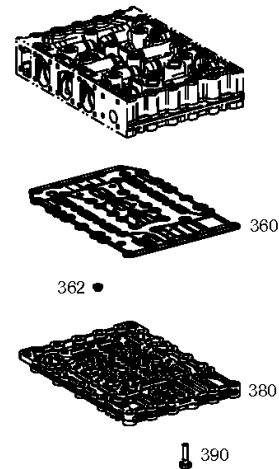
Material number: 4646.054.114

Plant: 465615901902

Material-assembly-group-no: 4656.159.019



4 WG 260 /  
SHIFT SYSTEM



# Plant

Page 1 from 1

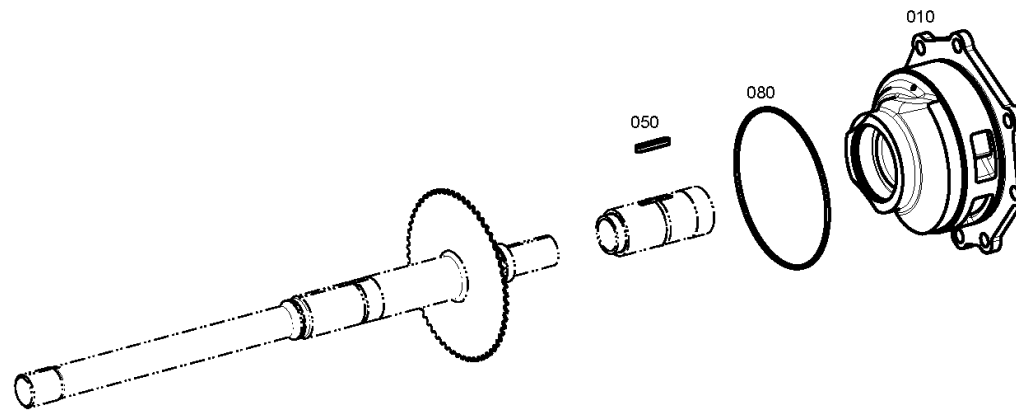
Material number: 4646.054.114

Plant: 464612201200

Material-assembly-group-no: 4646.122.012



4 WG 260 /  
PRESSURE OIL PUMP



# Plant

Page 1 from 1

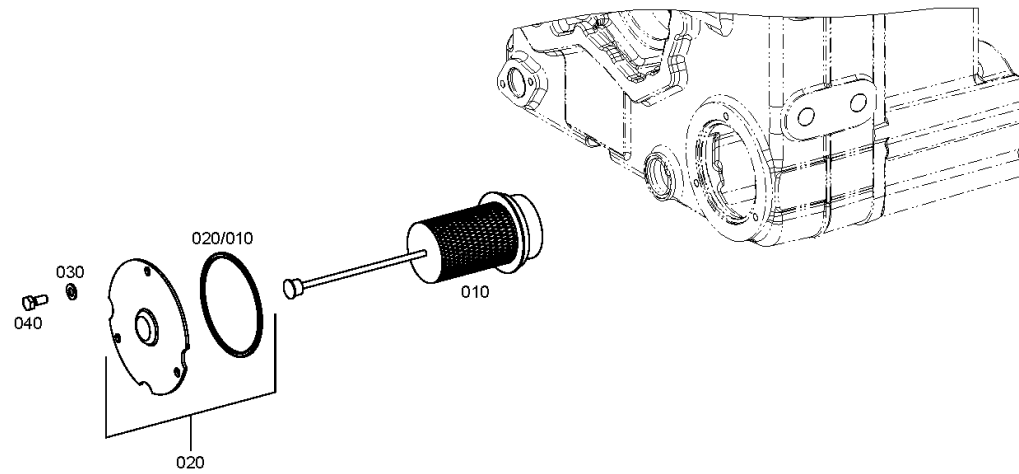
Material number: 4646.054.114

Plant: 464613800400

Material-assembly-group-no: 4646.138.004



4 WG 260 /  
FILTER



# Plant

Page 1 from 1

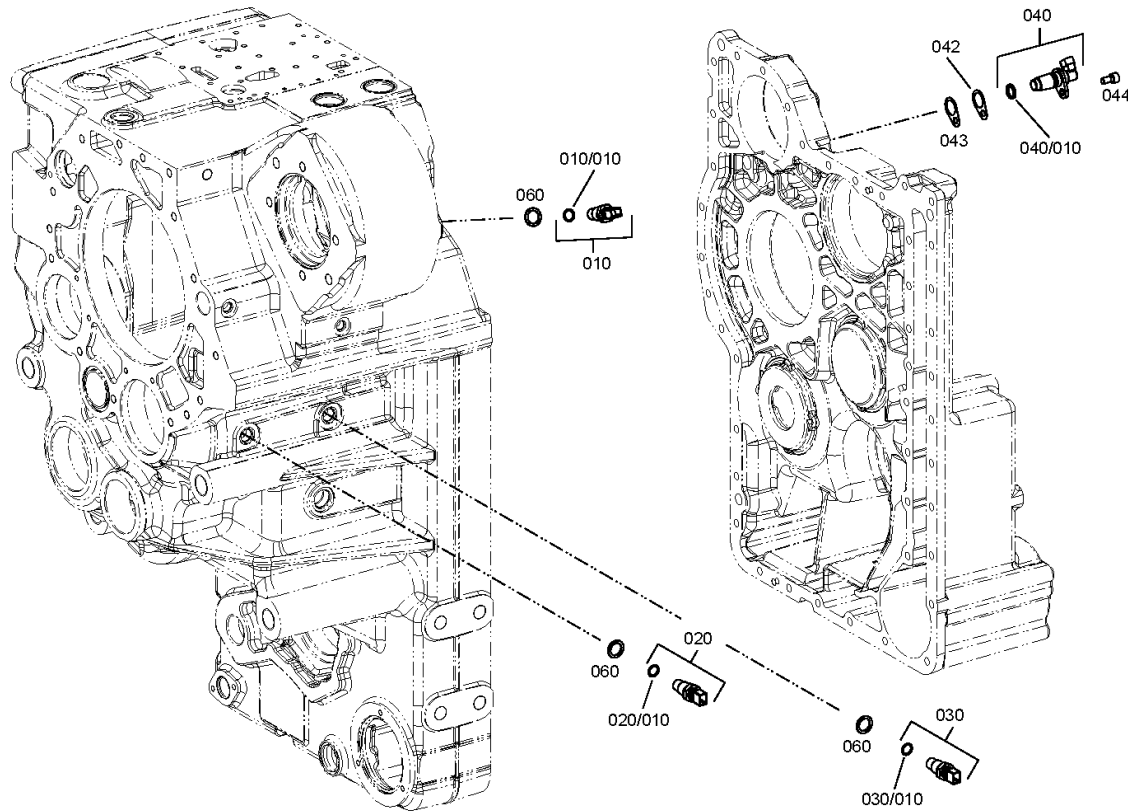
Material number: 4646.054.114

Plant: 464612502350

Material-assembly-group-no: 4646.125.023



4 WG 260 /  
INDUCTIVE SENSOR



# Plant

Page 1 from 1

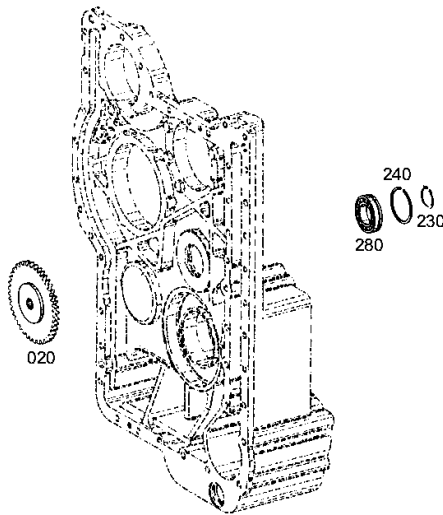
Material number: 4646.054.114

Plant: 464613702200

Material-assembly-group-no: 4646.137.022



4 WG 260 /  
EMERGENCY STEERING PUMP



# Plant

Page 1 from 1

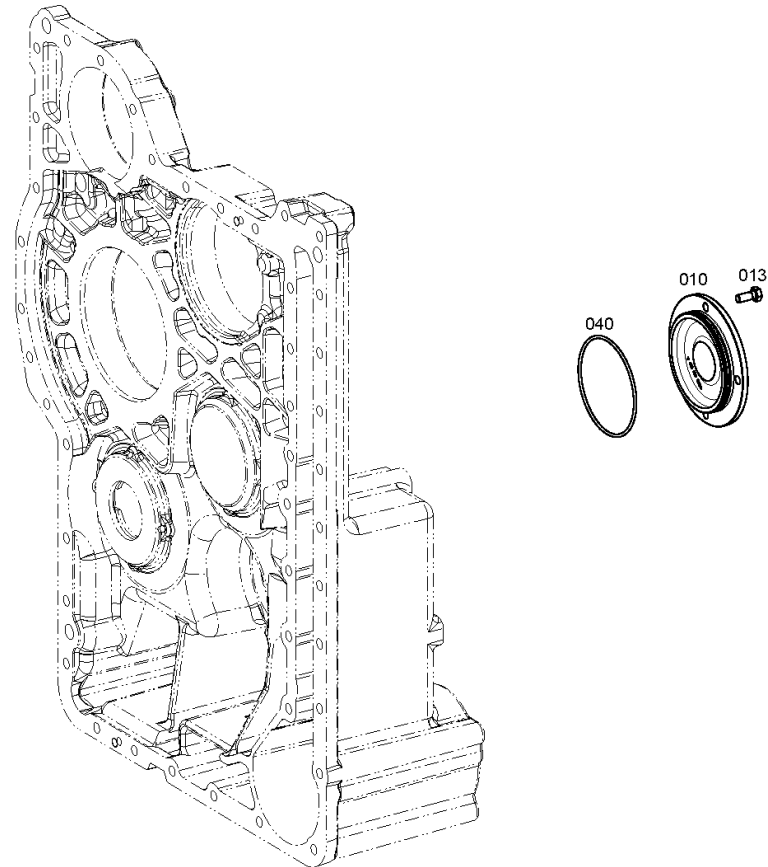
Material number: 4646.054.114

Plant: 464613741400

Material-assembly-group-no: 4646.137.414



4 WG 260 /  
EMERGENCY STEERING PUMP



# Plant

Page 1 from 1

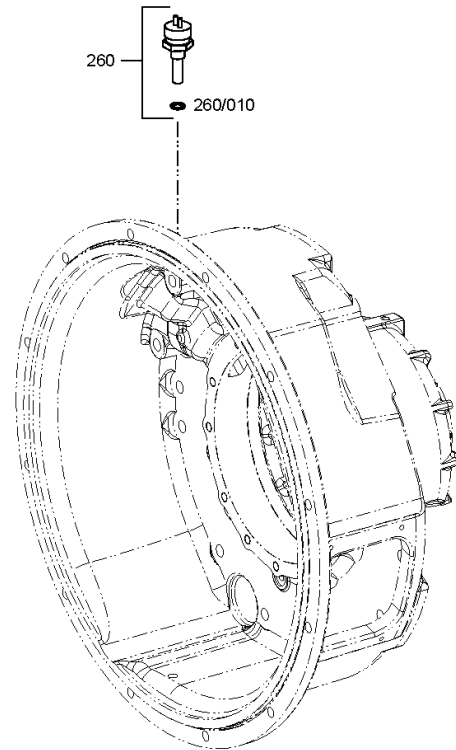
Material number: 4646.054.114

Plant: 464612400700

Material-assembly-group-no: 4646.124.007



4 WG 260 /  
TEMPERATURE SENSOR





# Plant

Page 1 from 1

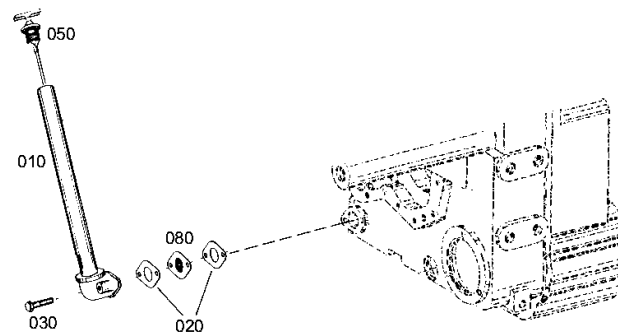
Material number: 4646.054.114

Plant: 464613104410

Material-assembly-group-no: 4646.131.044



4 WG 260 /  
FILLER NOZZLE



# Plant

Page 1 from 1

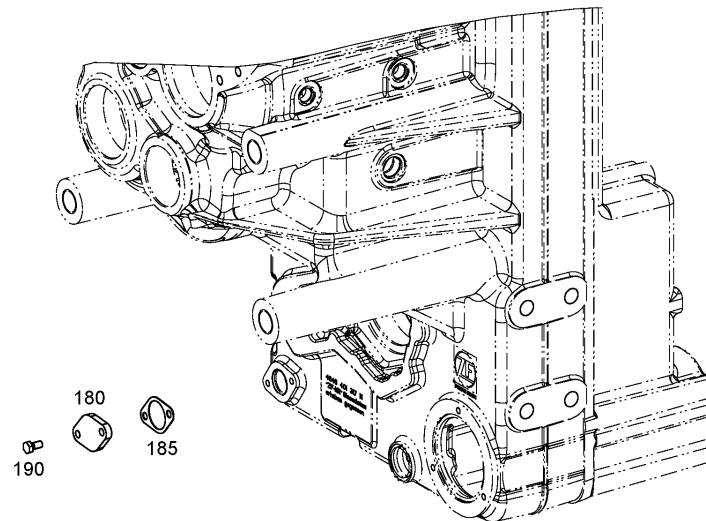
Material number: 4646.054.114

Plant: 464613140100

Material-assembly-group-no: 4646.131.401



4 WG 260 /  
FILLER NOZZLE



# Plant

Page 1 from 2

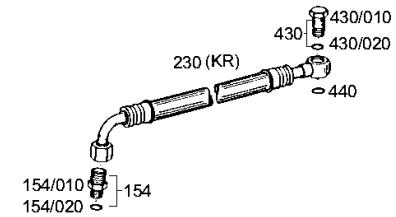
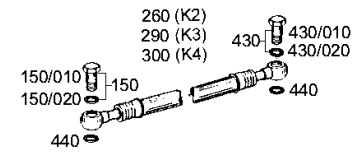
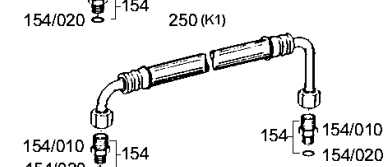
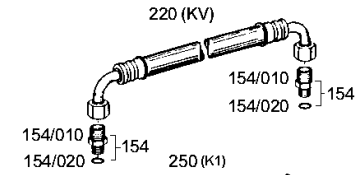
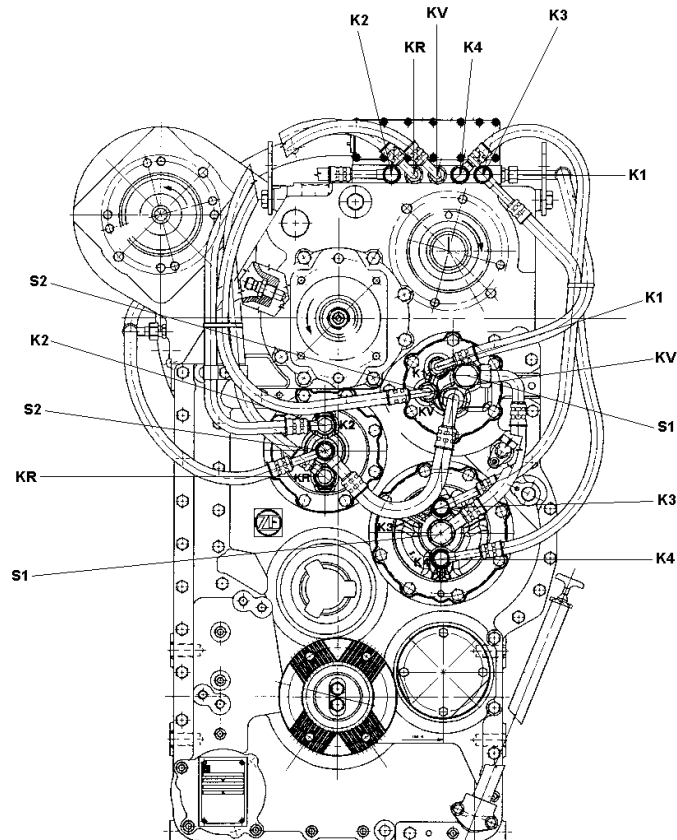
Material number: 4646.054.114

Plant: 464612109601

Material-assembly-group-no: 4646.121.096



4 WG 260 /  
OIL PIPE



# Plant

Page 2 from 2

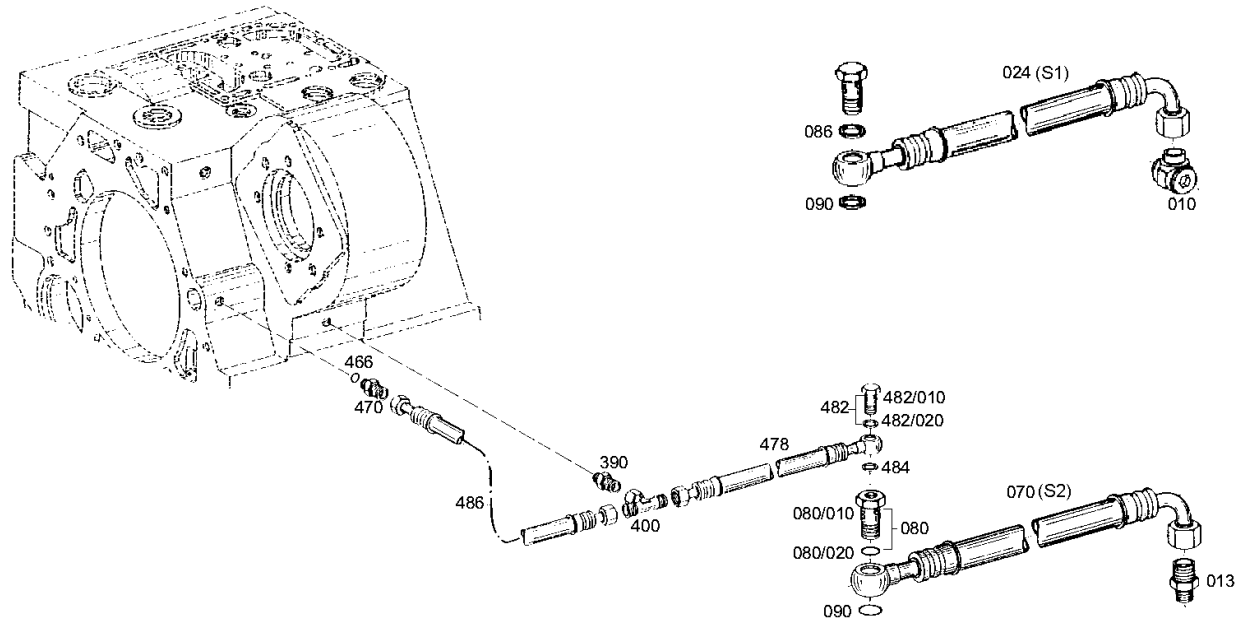
Material number: 4646.054.114

Plant: 464612109602

Material-assembly-group-no: 4646.121.096



4 WG 260 /  
OIL PIPE



# Plant

Page 1 from 1

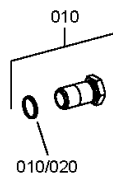
Material number: 4646.054.114

Plant: 464612141600

Material-assembly-group-no: 4646.121.416



4 WG 260 /  
OIL PIPE



# Plant

Page 1 from 1

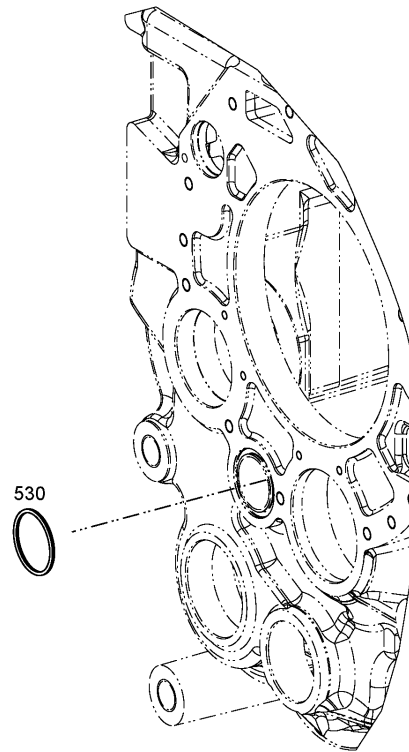
Material number: 4646.054.114

Plant: 464616241600

Material-assembly-group-no: 4646.162.416



4 WG 260 /  
OIL PIPE



# Plant

Page 1 from 1

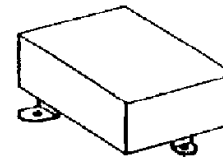
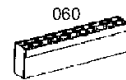
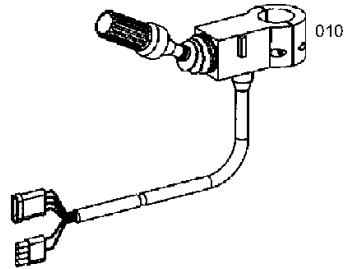
Material number: 4646.054.114

Plant: 464618321300

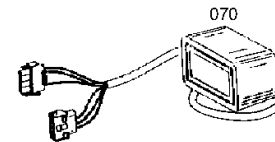
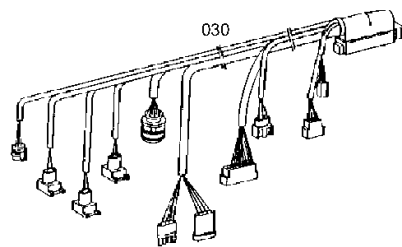
Material-assembly-group-no: 4646.183.213



4 WG 260 /  
LOOSE PARTS



040



070

# Plant

Page 1 from 1

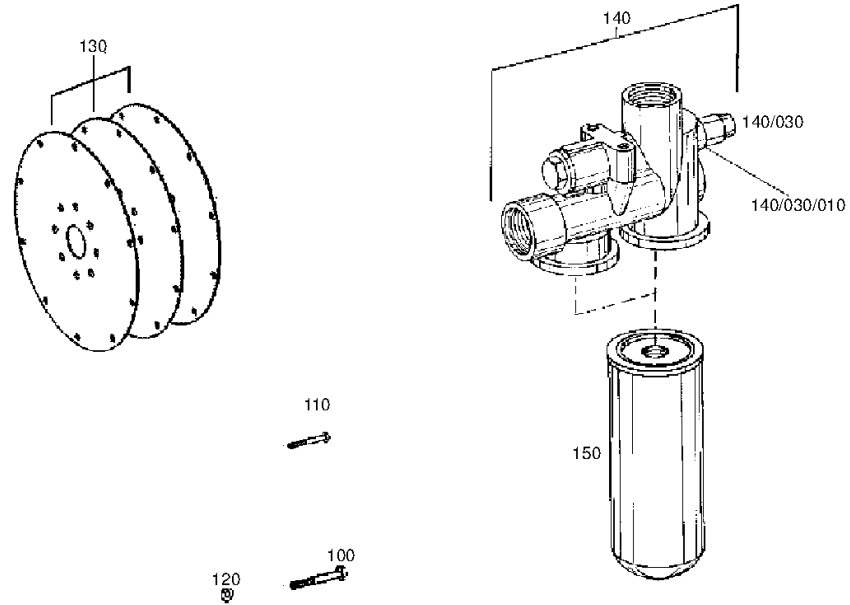
Material number: 4646.054.114

Plant: 464619918800

Material-assembly-group-no: 4646.199.188



4 WG 260 /  
LOOSE PARTS





# Plant

Page 1 from 1

Material number: 4646.054.114

Plant: 414313900100

Material-assembly-group-no: 4143.139.001



4 WG 260 /  
TYPE PLATE



010