



Spare Parts Catalog

4 WG 130

Material number: 4656.024.110

Current date: 13.02.2018

ZF Friedrichshafen AG
Hauptverwaltung
80038 Friedrichshafen
Deutschland

Telefon: +49 7541 77-0

Telefax: +49 7541 77-908000

www.zf.com

zuständiges Werk:
Passau

Notes relating to the spare parts catalog

Setup of the spare parts catalog

- Cover sheet
- Technical Cover (only in SDM print)
- Overview of figures
- Figure
- Associated parts list
- Next figure
- Associated parts list
- ...

Figure and parts list



Overview of figures

Bildtafel Figure	Sachnummer Product number	Benennung (Description)	Technische Info Technical info	Description (Benennung)	Menge Quantity	Einheit Unit
068.08.17	1316.170.001	AUSLEGER	WL	SHIFT TURRET	1	Stk
068.08.06	1316.170.031	DECKEL	WL*H-H *VM	COVER	1	Stk
068.08.14	1316.170.808	DECKEL	WL*AUSL+GEH*H-H*HF160N	COVER	1	Stk
08	1316.170.441	ANSCHLUSSTEILE	WL*NG-VORB*RG-SCHL*168N *BAJONETT	CONNECTING PARTS	1	Stk

The "gap" indicates that there is no separate graphics panel (poster) for this assembly
The parts of this assembly are shown with the same mid-section number on the figure

1 Positions and subpositions

Pos.	Sachnummer Product number	Benennung (Description)	Technische Info Technical info	Description (Benennung)	Menge Quantity	Einheit Unit
0370	1315.201.054	RUECKLAUFBOLZEN	KPL.16S151*SG*L= 79	REV.IDLER SHAFT	1	Stk
/0120	0631.329.293	SPANNSTIFT		SLOT. PIN	1	Stk

Positions marked with "/" are the individual items of a completion
For example: Position 0370 contains a centering pin with the position /0120

2 Combinations with standardized parts

Pos.	Sachnummer Product number	Benennung (Description)	Technische Info Technical info	Description (Benennung)	Menge Quantity	Einheit Unit
0630		VERSCHL.SCHR.		SCREW PLUG	1	Stk
	0636.302.067	VERSCHL.SCHR.		SCREW PLUG	1	Stk
	0634.801.249	DICHTRING	A 26 X 31	SEALING RING	1	Stk

The parts list shows the components included in the combination of standardized parts

3 Depiction of position/item number on the figure and in the parts list

01.620 - on the figure 01 relates to the assembly in which the position is included. Due to program-related reasons, it is shown on the figure.

0620 - in the parts list

Pos.	Sachnummer Product number	Benennung (Description)	Technische Info Technical info	Description (Benennung)	Menge Quantity	Einheit Unit
0620	0732.040.736	DRUCKFEDER		COMPRESSION SPRING	1	Stk

4 *-Positions

Positions marked with an * are optional i.e. inclusion in the parts list is not mandatory.
The following note is shown on the figure

je nach Stücklistenausführung
depending on spec. number
*
suivant la nomenclature
secondo la distinta base

5 Parts, dotted display

Parts with dotted display on the figure are only used for orientation of other parts

Technical Cover

Page 1 from 3

Material number: 4656.024.110



4 WG 130 /

Pos.	Information	Amendment number
	CUSTOMER: PSM-ZMS	
	1.PERFORMANCE CALC.: 4656 706 900	
	VEHICLE DESIGNATION: RADLADER PK 30	
	WEIGHT EMPTY: 11,00 TO	
	ENGINE: JAMZ MM3-245,2 C3	
	ENGINE POWER: 90,0 KW	
	SPEED: 2.200 DRZ	
	INPUT TORQUE: 501 NM	
	SPEED: 1.600 DRZ	
	TYRE SIZE: 17,5-25	
	TYRE RADIUS DYN: 0,637 M	
	AXLE RATIO: 20,365	
	MAX. SPEED: 38,0 KM/H	
	PRODUCT DESCRIPTION: ZF-ERGOPOWER TRANSMISSION	
	TRANSMISSION TYPE 4 WG 130	
	DROP CENTER DISTANCE: 500 MM	
	VEHICLE: LOADER	
	1. GEAR FORWARD: 4,012	
	2. GEAR FORWARD: 2,174	
	3. GEAR FORWARD: 1,088	
	4. GEAR FORWARD: 0,619	
	1. GEAR REVERSE: 3,804	
	2. GEAR REVERSE: 2,061	
	3. GEAR REVERSE: 1,031	
	NUMBER OF PULSES ENGIN: 4	
	NUMBER OF PULSES TURB: 51	
	NUMBER OF PULSES MRK: 55	
	NUMBER OF PULSES OUTP.: 60	
	CONVERTER: W 300	
	CONVERTER PART NR: 4168030271	
	LOCK-UP CLUTCH: WITHOUT	
	STALL TORQUE RATIO: 2,38	
	TORQUE CONVERTER ABSORP 306 NM	



Pos.	Information	Amendment number
	STATOR FREEWHEEL: WITHOUT	
	ENGINE INPUT: REMOTE MOUNTED VIA JOINT SHAFT	
	INPUT FLANGE: MECH 5 C	
	OUTPUT: STANDARD	
	OUTPUT CONVERTER SIDE: WITHOUT AXLE DISCONNECT	
	OUTPUT FLANGE CONVERTER MECH 6 C	
	AXIAL DISPLACEABILITY: WITHOUT	
	OUTPUT PTO SIDE: WITH PARKING BRAKE	
	DISC BRAKE: MECHANICAL M90	
	OUTPUT FLANGE PTO SIDE: MECH 6 C	
	1.PTO FLANGE: SAE C 2/4 HOLE	
	DRIVER / PROFILE: SAE C 12/24 DP 14 T	
	GEAR CHANGE CONTROL: ZF-ERGOSHIFT/ PROP VALVE	
	VOLTAGE: 24 VOLT	
	SPEED CONTROL: CONNECTION VIA EST	
	OIL LEVEL TUBE: MOUNTED ON CONVERTER SIDE	
	OIL DIPSTICK: SHORT STRAIGHT	
	FILTER INSTALLATION: DIRECT MOUNTED	
	PRES. DROP SWITCH: CLOSING SWITCH	
	EMERGENCY STEERING PUMP WITHOUT	
	OIL TEMPERATURE SENSOR: WITH (WITHOUT GAUGE)	
	ELECTRIC PARTS ORDER: INCLUDED IN SCOPE OF SUPPLY	
	GROUP LOOSE PARTS: 4656 183 180	
	CONTROL UNIT: EST 37A	
	GEAR SELECTOR: DW 3	
	DISPLAY: FOR SEPERATE MOUNTING	
	WIRING: WITH	
	OIL CAPACITY: CA. 18 LITRE	
	GEARBOX OIL FILLING: WITHOUT	
	OEL-CLASS: OIL SPECIFICATION TE ML 03	
	PRIMER PAINT: YELLOW RAL 1006	
	DOCUMENTATION GEAR BOX: -----	
	SECTION DRAWING: 4656 554 002	

Technical Cover

Page 3 from 3

Material number: 4656.024.110



4 WG 130 /

Pos.	Information	Amendment number
	GEARBOX DIAGRAM: 4656 700 048	
	OIL CIRCUIT DIAGRAMM: 4656 700 080	
	INSTAL. INSTRUCTIONS: 0000 702 271	
	DRAWING 6009.665.002	
	DRAWING GEAR SEL. 1: 6006.630.033	
	CONNECTION DIAGRAMM: 6006.700.564	
	WIRING DIAGRAMM: 6029.701.785	
	CONNECTION DIAGRAMM: 6029.701.786	
	DRAWING DISPLAY: 6007.603.047	

Assembly group overview

Page 1 from 2



4 WG 130 /

Material number: 4656.024.110

Graphics	Pos.	Material number	Name	Quantity	Amend. no.	Techn. Info.
465613002300	270	4656.130.023	ENGINE CONNECTION	1		
465613040100	280	4656.130.401	ENGINE CONNECTION	1		
416603019200	500	4166.030.192	CONVERTER	1		
465610202300	30	4656.102.023	INPUT	1		
465610103101	10	4656.101.031	TRANSMISSION HOUSING	1		
465617105400	350	4656.171.054	COUPLING	1		
465617204100	360	4656.172.041	COUPLING	1		
465617304600	370	4656.173.046	COUPLING	1		
465617403300	380	4656.174.033	COUPLING	1		
465617504900	390	4656.175.049	CLUTCH	1		
465617605900	400	4656.176.059	CLUTCH	1		
465610300700	50	4656.103.007	OUTPUT	1		
465610341100	60	4656.103.411	OUTPUT	1		
465610900300	170	4656.109.003	PARKING BRAKE	1		
465610940600	70	4656.109.406	PARKING BRAKE	1		
465615401400	340	4656.154.014	POWER TAKE-OFF	1		

Assembly group overview

Page 2 from 2

Material number: 4656.024.110



4 WG 130 /

Graphics	Pos.	Material number	Name	Quantity	Amend. no.	Techn. Info.
465610601300	110	4656.106.013	SHIFT SYSTEM	1		
465710640720	115	4657.106.407	SHIFT SYSTEM	1		
465615901921	120	4656.159.019	SHIFT SYSTEM	1		
465612000300	190	4656.120.003	PRESSURE REGULATOR	1		
465612200500	220	4656.122.005	PRESSURE OIL PUMP	1		
465613700400	310	4656.137.004	EMERGENCY STEERING PUMP	1		
465612500600	250	4656.125.006	INDUCTIVE SENSOR	1		
465712400300	240	4657.124.003	TEMPERATURE SENSOR	1		
465613801500	330	4656.138.015	FILTER	1		
465613100300	290	4656.131.003	OIL DIPSTICK	1		
465618318000	495	4656.183.180	LOOSE PARTS	1		

Plant

Page 1 from 1

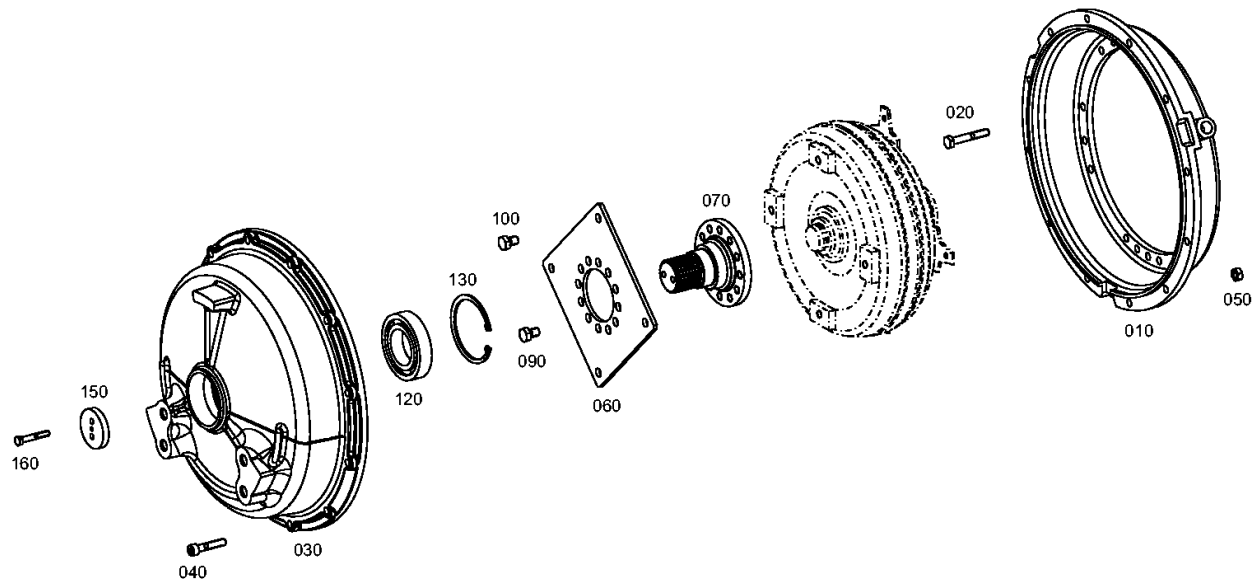
Material number: 4656.024.110

Plant: 465613002300

Material-assembly-group-no: 4656.130.023



4 WG 130 /
ENGINE CONNECTION



Plant

Page 1 from 1

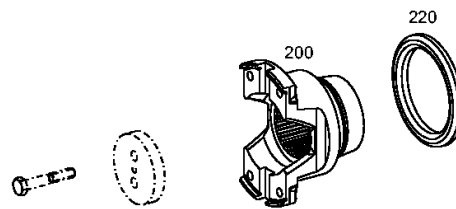
Material number: 4656.024.110

Plant: 465613040100

Material-assembly-group-no: 4656.130.401



4 WG 130 /
ENGINE CONNECTION



Plant

Page 1 from 1

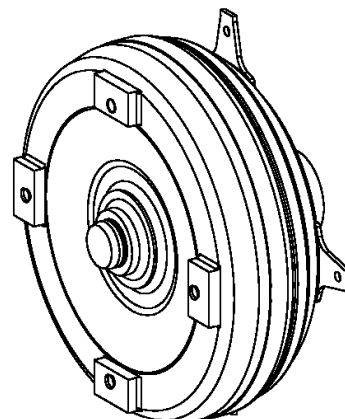
Material number: 4656.024.110

Plant: 416603019200

Material-assembly-group-no: 4166.030.192



4 WG 130 /
CONVERTER



010

Plant

Page 1 from 1

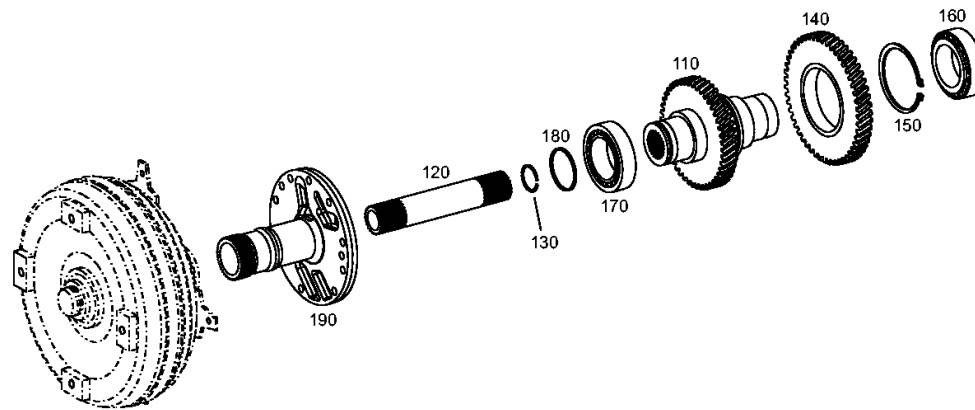
Material number: 4656.024.110

Plant: 465610202300

Material-assembly-group-no: 4656.102.023



4 WG 130 /
INPUT



Plant

Page 1 from 2

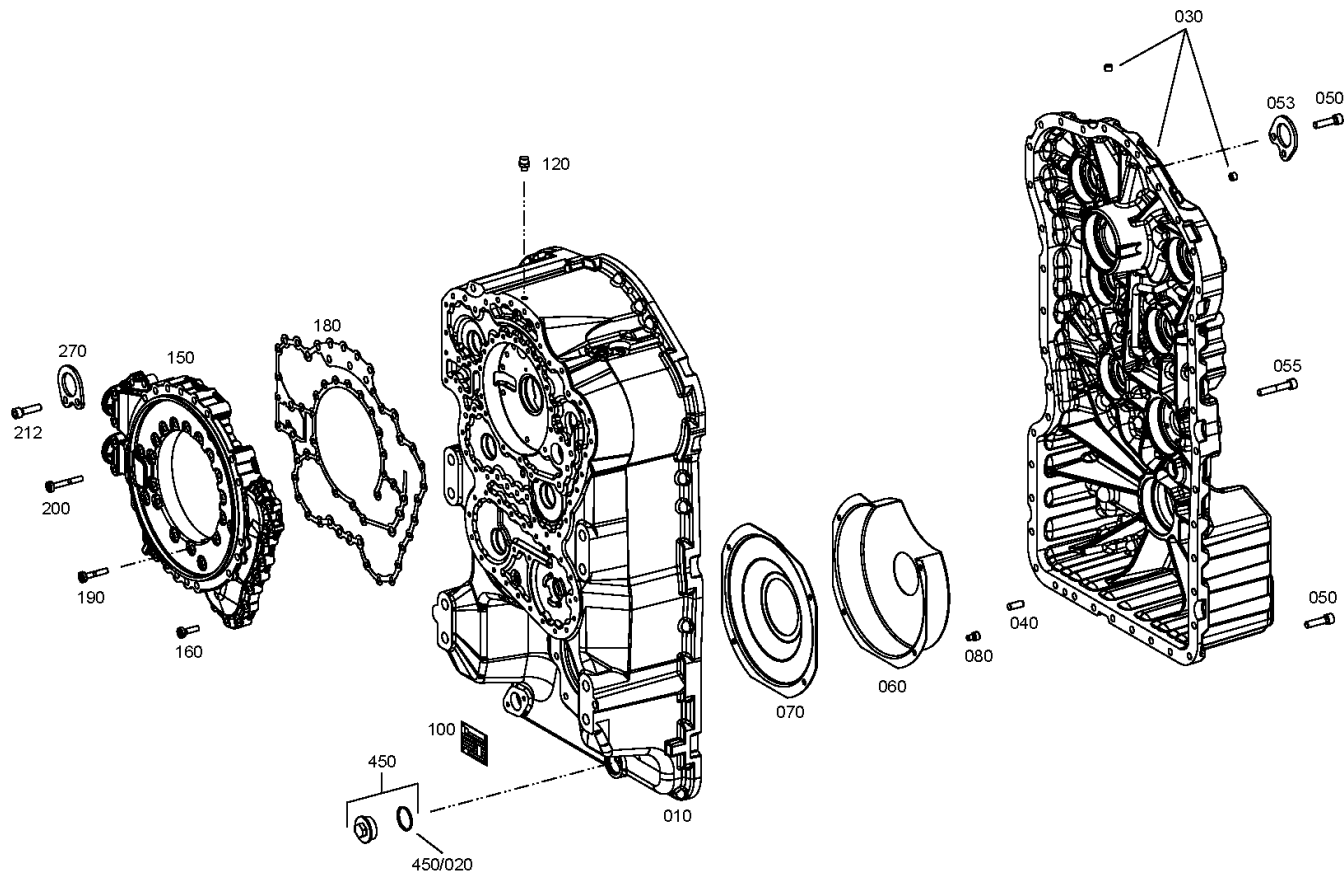
Material number: 4656.024.110

Plant: 465610103101

Material-assembly-group-no: 4656.101.031



4 WG 130 /
TRANSMISSION HOUSING



Plant

Page 2 from 2

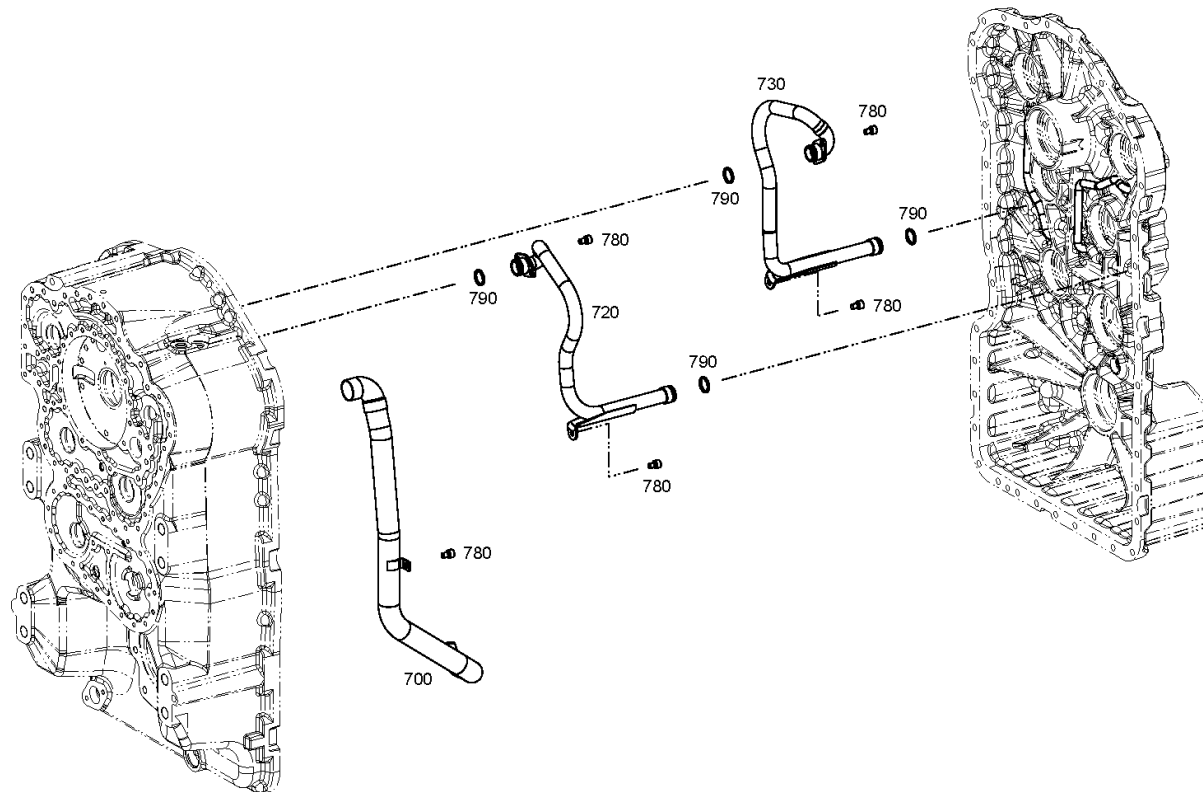
Material number: 4656.024.110

Plant: 465610103102

Material-assembly-group-no: 4656.101.031



4 WG 130 /
TRANSMISSION HOUSING



Plant

Page 1 from 1

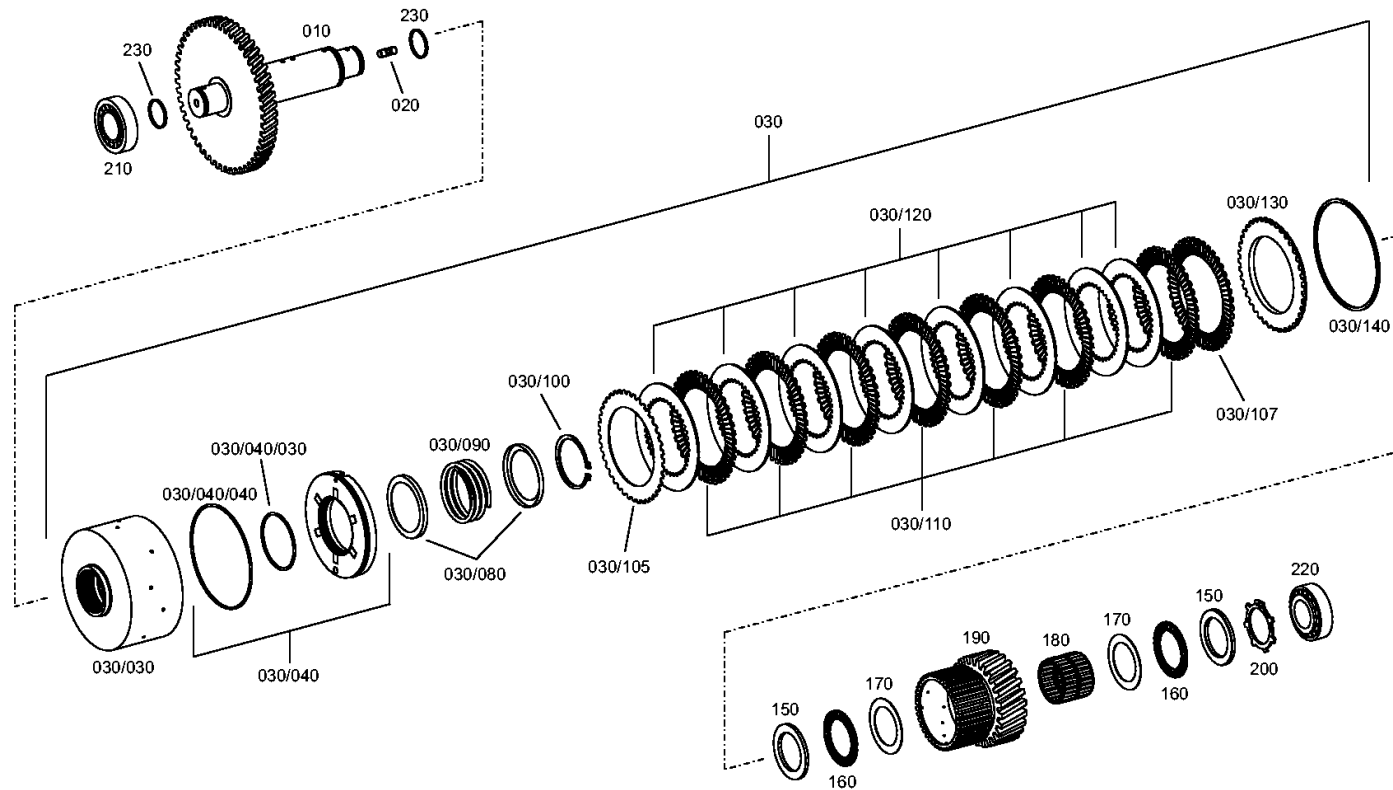
Material number: 4656.024.110

Plant: 465617105400

Material-assembly-group-no: 4656.171.054



4 WG 130 /
COUPLING



Plant

Page 1 from 1

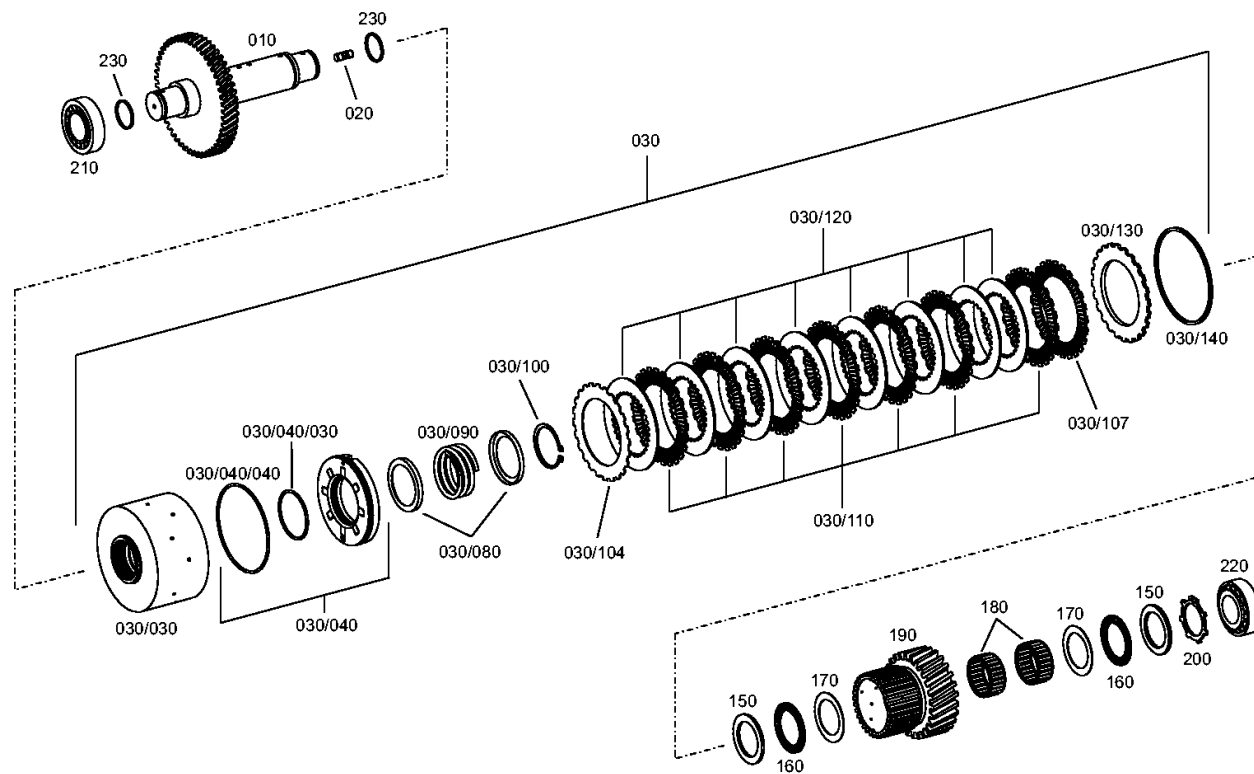
Material number: 4656.024.110

Plant: 465617204100

Material-assembly-group-no: 4656.172.041



4 WG 130 /
COUPLING



Plant

Page 1 from 1

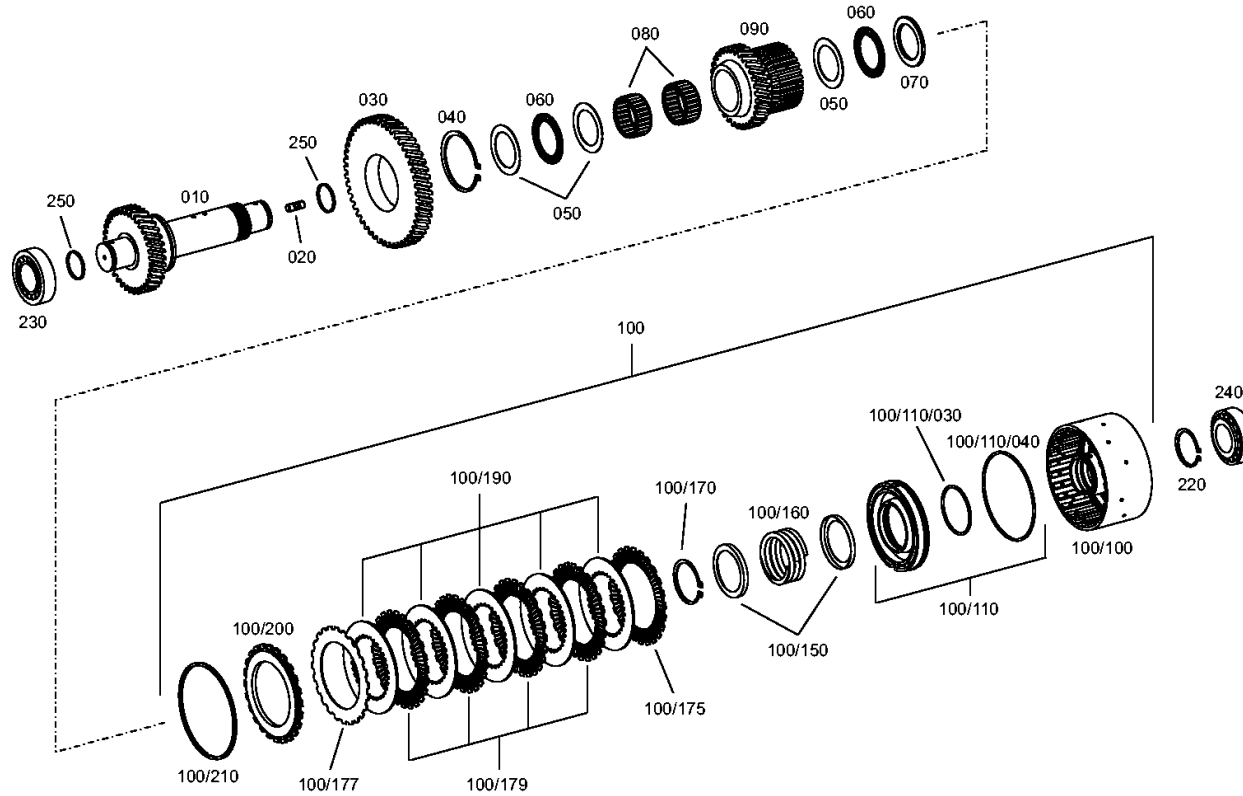
Material number: 4656.024.110

Plant: 465617403300

Material-assembly-group-no: 4656.174.033



4 WG 130 /
COUPLING



Plant

Page 1 from 1

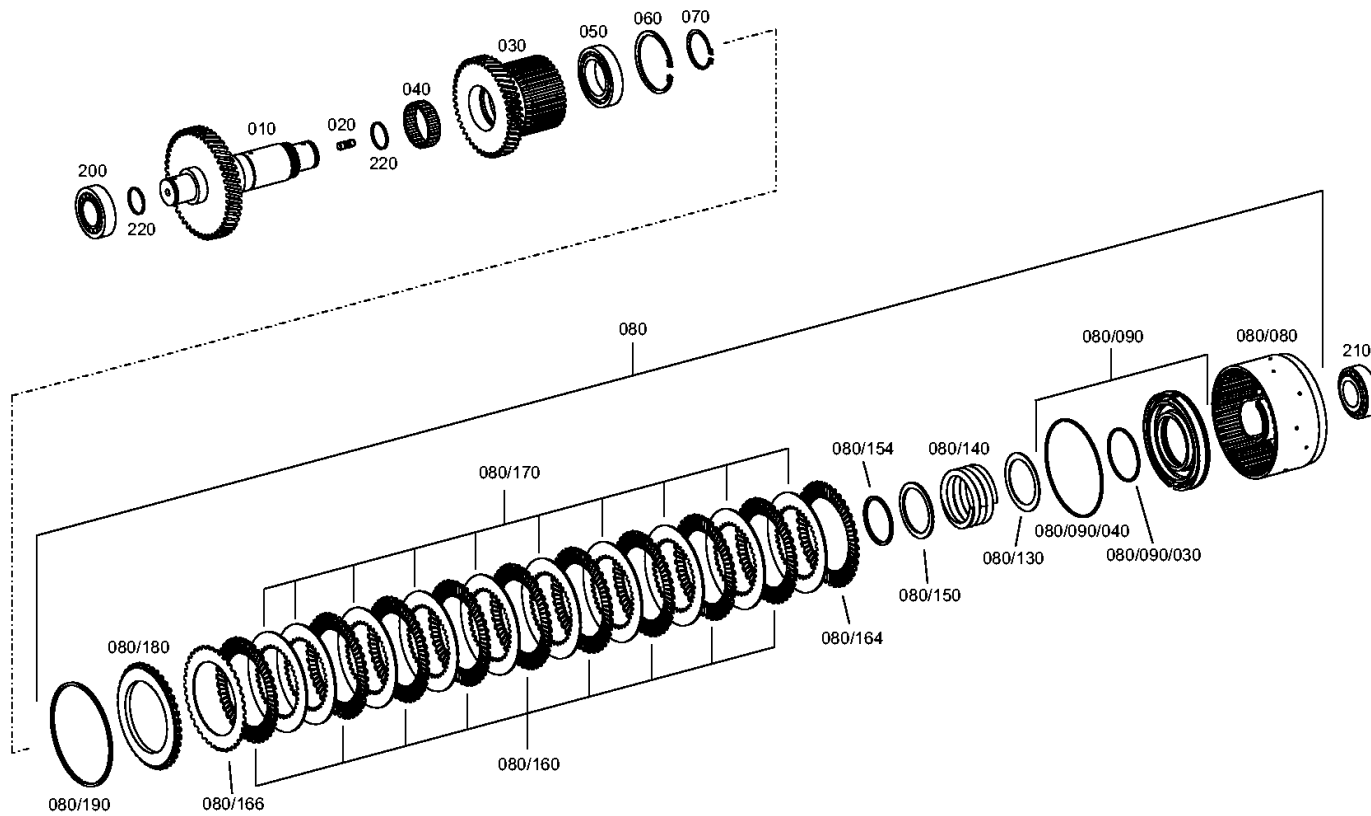
Material number: 4656.024.110

Plant: 465617504900

Material-assembly-group-no: 4656.175.049



4 WG 130 /
CLUTCH



Plant

Page 1 from 1

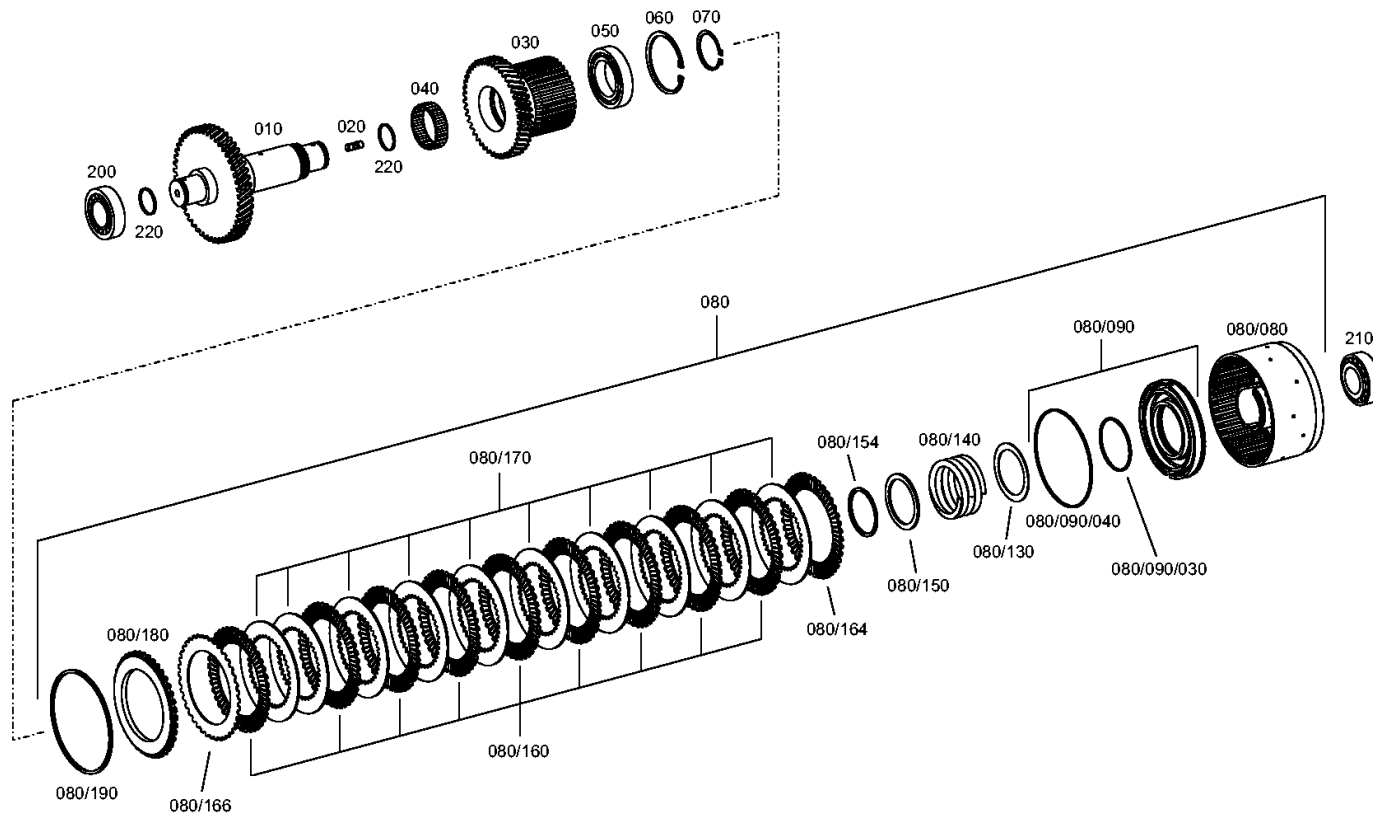
Material number: 4656.024.110

Plant: 465617605900

Material-assembly-group-no: 4656.176.059



4 WG 130 /
CLUTCH



Plant

Page 1 from 1

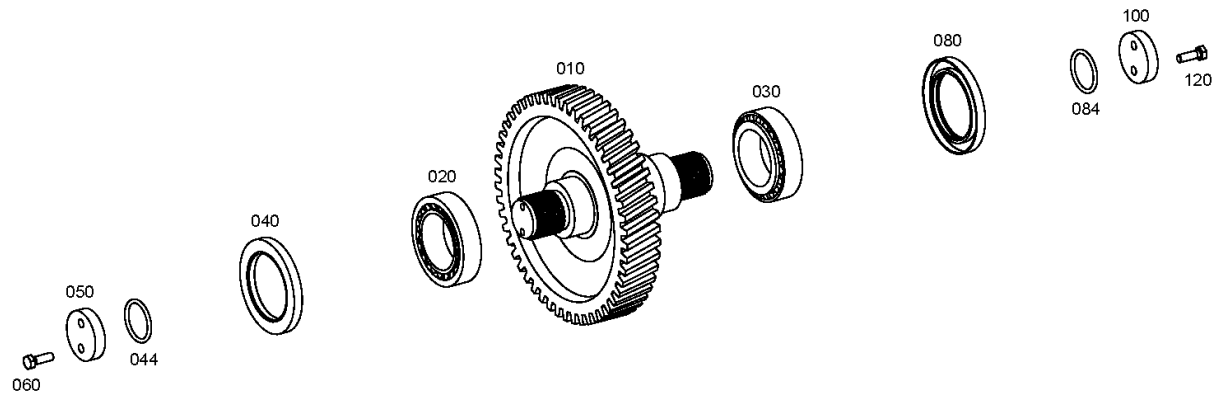
Material number: 4656.024.110

Plant: 465610300700

Material-assembly-group-no: 4656.103.007



4 WG 130 /
OUTPUT



Plant

Page 1 from 1

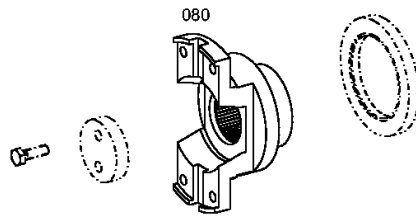
Material number: 4656.024.110

Plant: 465610341100

Material-assembly-group-no: 4656.103.411



4 WG 130 /
OUTPUT



Plant

Page 1 from 1

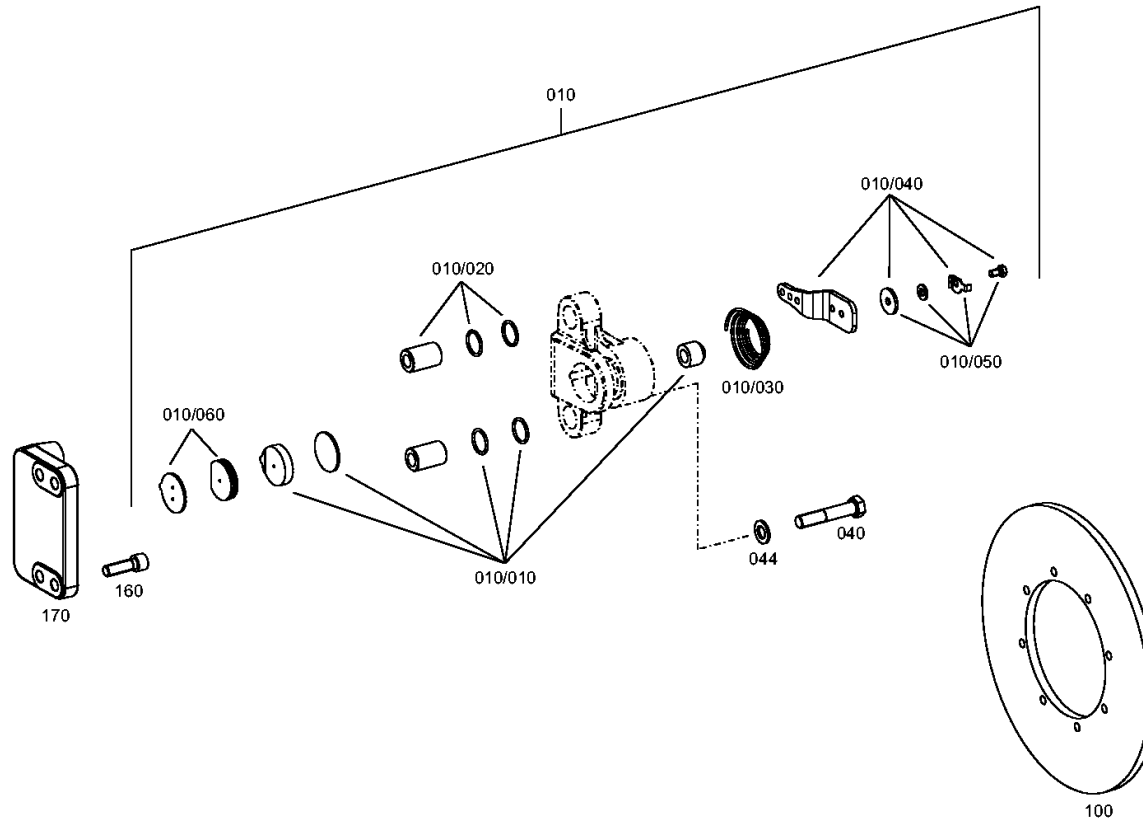
Material number: 4656.024.110

Plant: 465610900300

Material-assembly-group-no: 4656.109.003



4 WG 130 /
PARKING BRAKE



Plant

Page 1 from 1

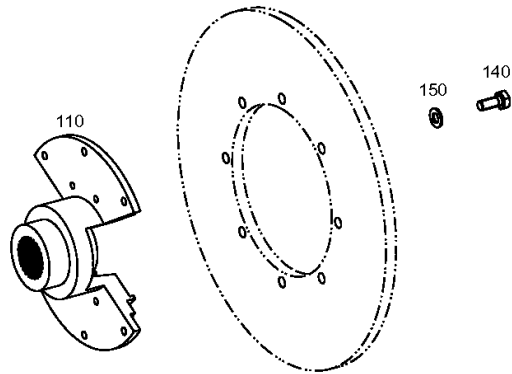
Material number: 4656.024.110

Plant: 465610940600

Material-assembly-group-no: 4656.109.406



4 WG 130 /
PARKING BRAKE



Plant

Page 1 from 1

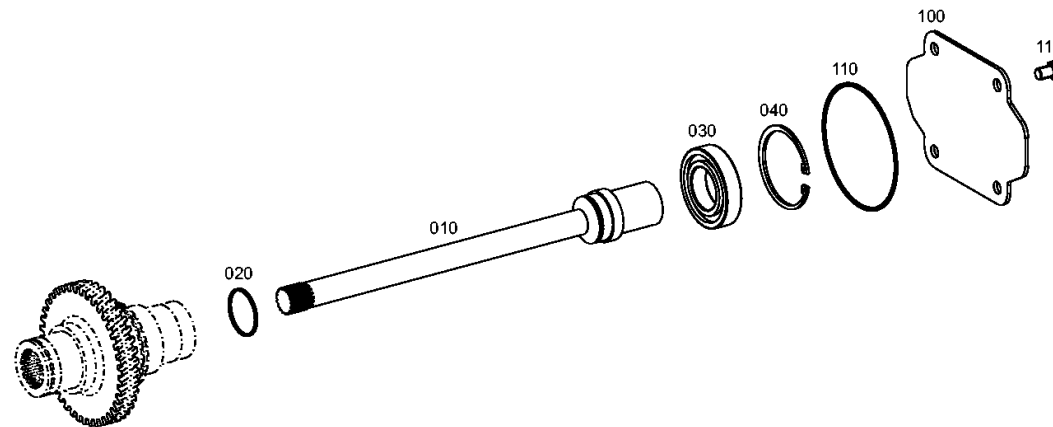
Material number: 4656.024.110

Plant: 465615401400

Material-assembly-group-no: 4656.154.014



4 WG 130 /
POWER TAKE-OFF



Plant

Page 1 from 1

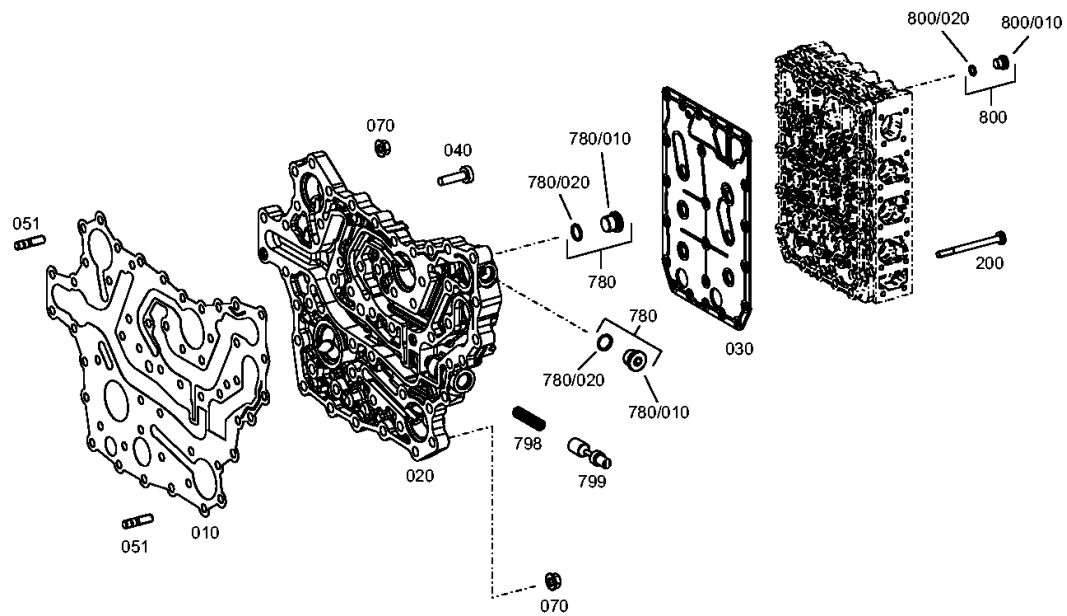
Material number: 4656.024.110

Plant: 465610601300

Material-assembly-group-no: 4656.106.013



4 WG 130 /
SHIFT SYSTEM



Plant

Page 1 from 1

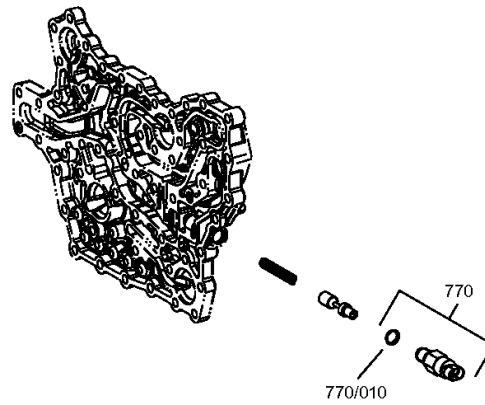
Material number: 4656.024.110

Plant: 465710640720

Material-assembly-group-no: 4657.106.407



4 WG 130 /
SHIFT SYSTEM



Plant

Page 1 from 2

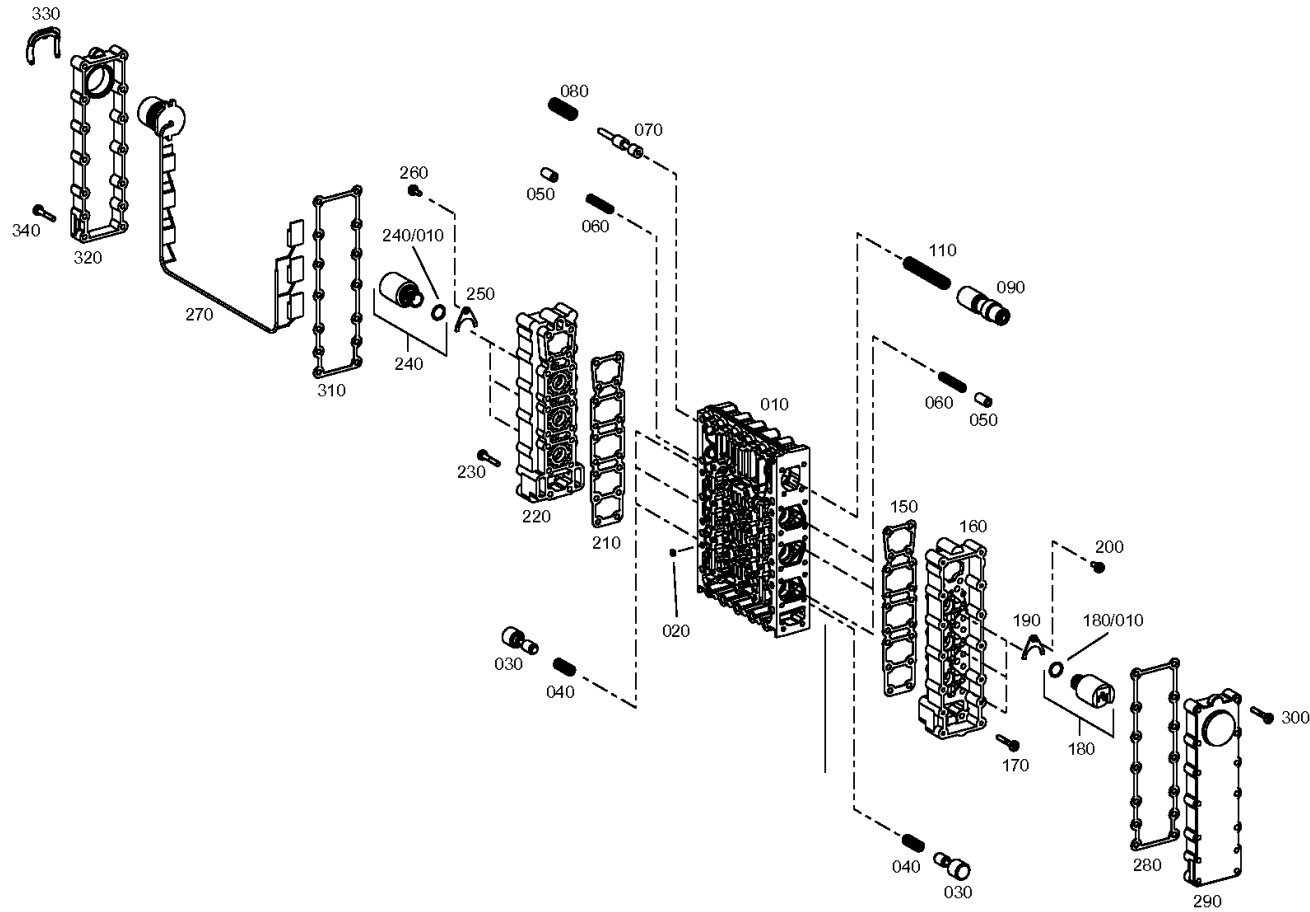
Material number: 4656.024.110

Plant: 465615901921

Material-assembly-group-no: 4656.159.019



4 WG 130 /
SHIFT SYSTEM



Plant

Page 2 from 2

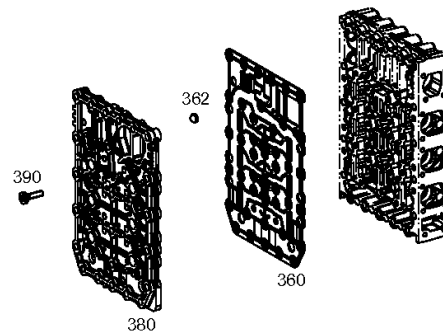
Material number: 4656.024.110

Plant: 465615901922

Material-assembly-group-no: 4656.159.019



4 WG 130 /
SHIFT SYSTEM



Plant

Page 1 from 1

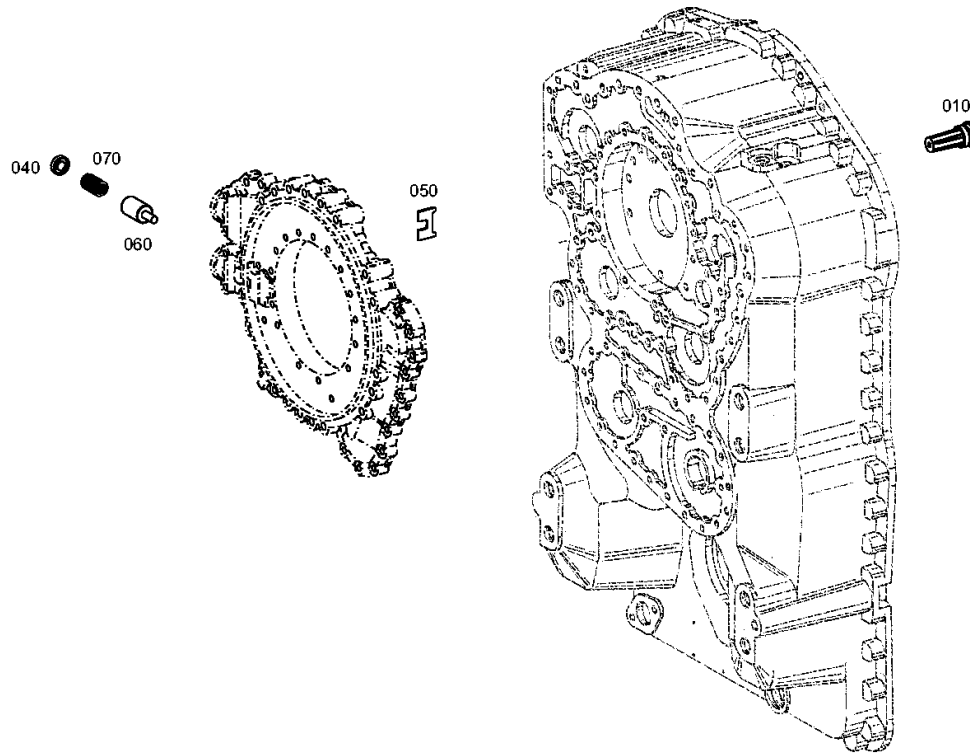
Material number: 4656.024.110

Plant: 465612000300

Material-assembly-group-no: 4656.120.003



4 WG 130 /
PRESSURE REGULATOR



Plant

Page 1 from 1

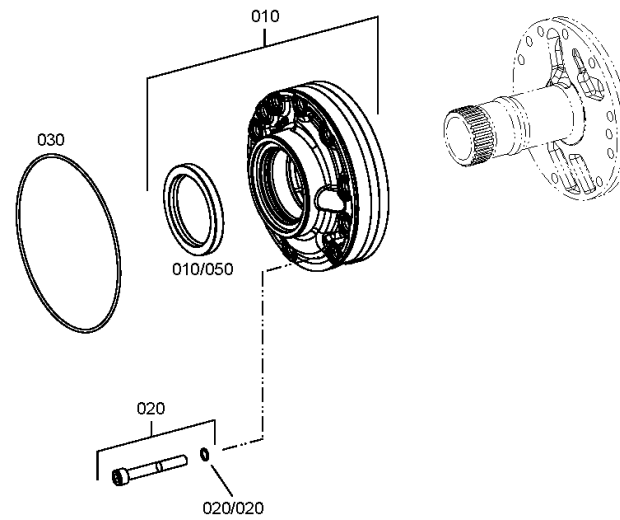
Material number: 4656.024.110

Plant: 465612200500

Material-assembly-group-no: 4656.122.005



4 WG 130 /
PRESSURE OIL PUMP



Plant

Page 1 from 1

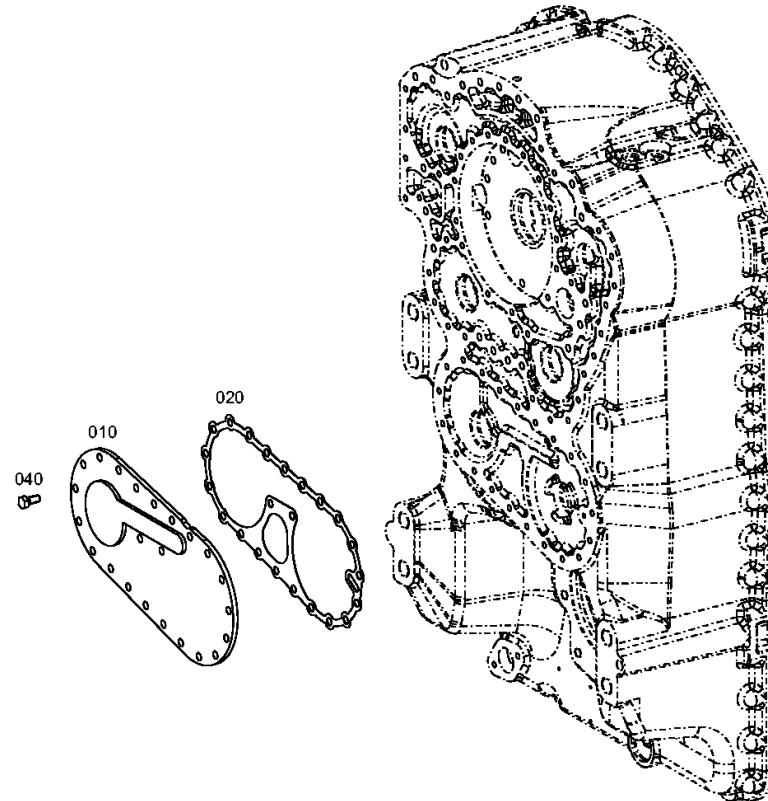
Material number: 4656.024.110

Plant: 465613700400

Material-assembly-group-no: 4656.137.004



4 WG 130 /
EMERGENCY STEERING PUMP



Plant

Page 1 from 1

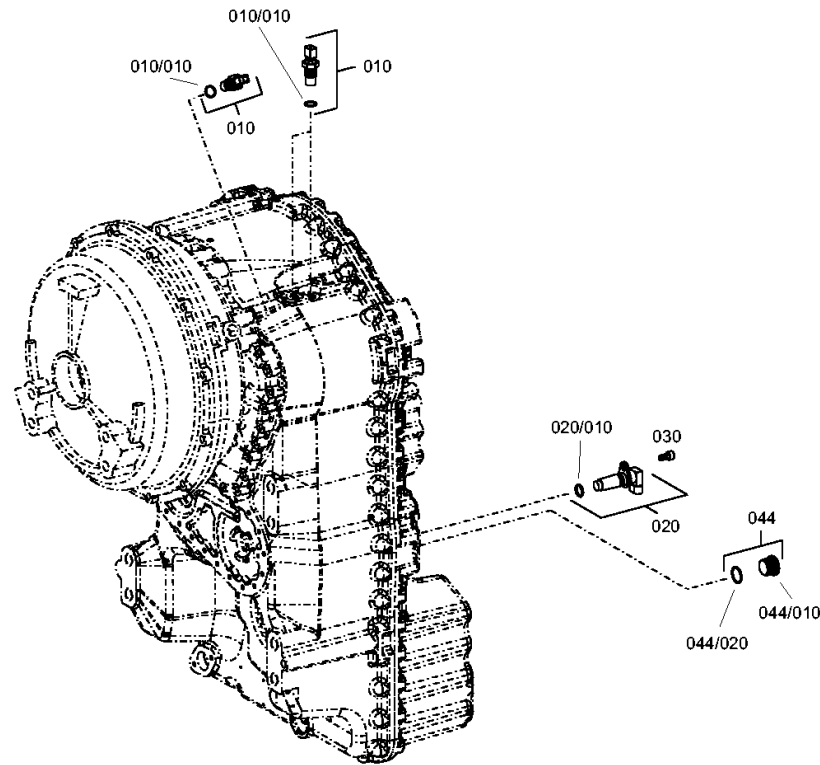
Material number: 4656.024.110

Plant: 465612500600

Material-assembly-group-no: 4656.125.006



4 WG 130 /
INDUCTIVE SENSOR



Plant

Page 1 from 1

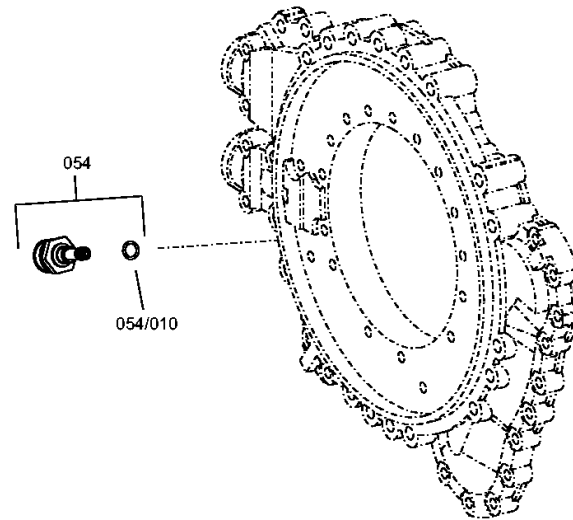
Material number: 4656.024.110

Plant: 465712400300

Material-assembly-group-no: 4657.124.003



4 WG 130 /
TEMPERATURE SENSOR



Plant

Page 1 from 1

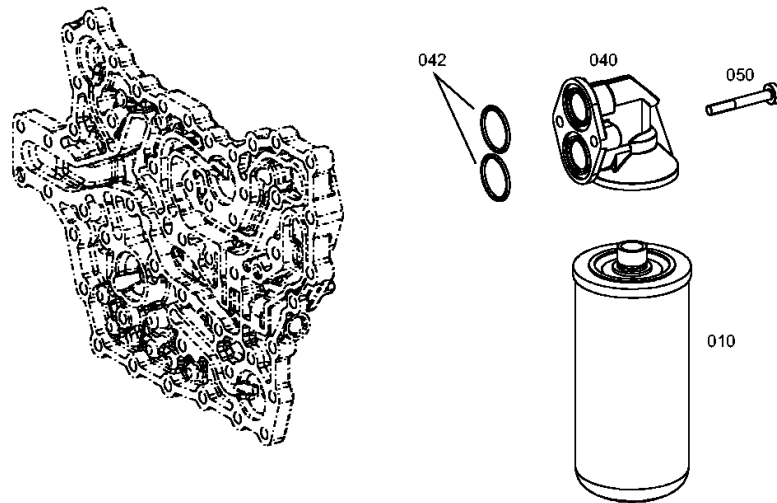
Material number: 4656.024.110

Plant: 465613801500

Material-assembly-group-no: 4656.138.015



4 WG 130 /
FILTER



Plant

Page 1 from 1

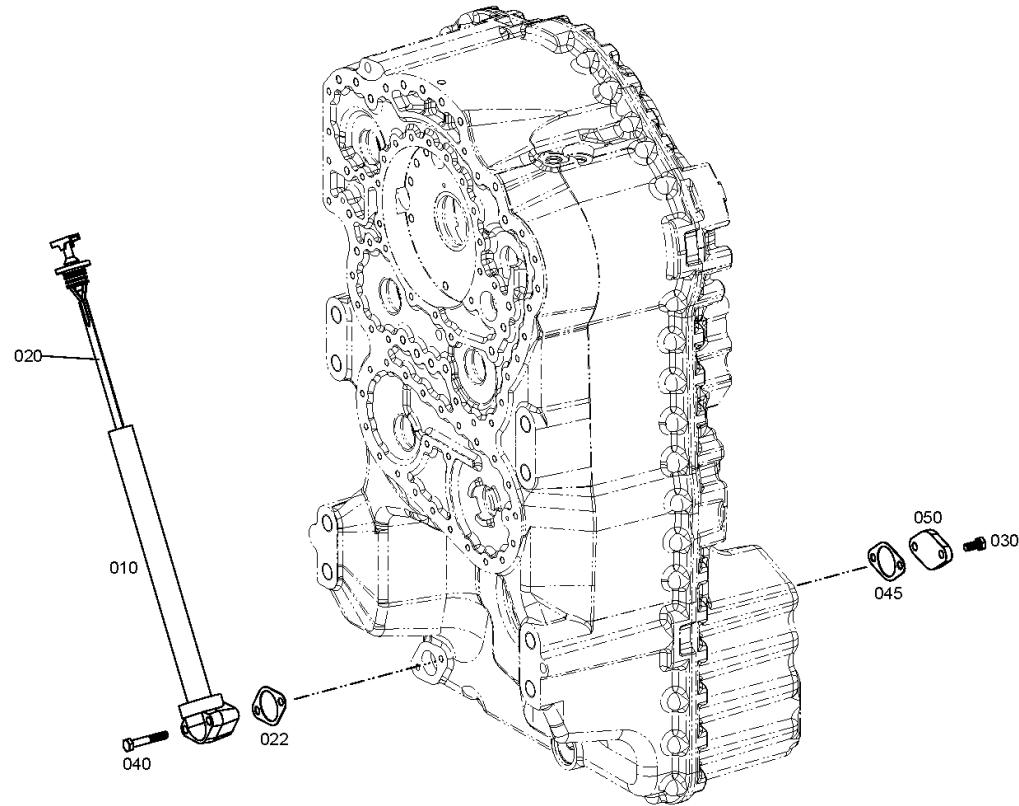
Material number: 4656.024.110

Plant: 465613100300

Material-assembly-group-no: 4656.131.003



4 WG 130 /
OIL DIPSTICK



Plant

Page 1 from 1

Material number: 4656.024.110

Plant: 465618318000

Material-assembly-group-no: 4656.183.180



4 WG 130 /
LOOSE PARTS

