



# Spare Parts Catalog

6 WG 190

Material number: 4657.026.027

Current date: 02.08.2023

ZF Friedrichshafen AG  
Hauptverwaltung  
80038 Friedrichshafen  
Deutschland

Telefon: +49 7541 77-0

Telefax: +49 7541 77-908000

[www.zf.com](http://www.zf.com)

zuständiges Werk:  
Passau

# Notes relating to the spare parts catalog

## Setup of the spare parts catalog

- Cover sheet
- Technical Cover (only in SDM print)
- Overview of figures
- Figure
- Associated parts list
- Next figure
- Associated parts list
- ...

## Figure and parts list



## Overview of figures

Bildtafel Figure	Sachnummer Product number	Benennung (Description)	Technische Info Technical info	Description (Benennung)	Menge Quantity	Einheit Unit
068.08.17	1316.170.001	AUSLEGER	WL	SHIFT TURRET	1	Stk
068.08.06	1316.170.031	DECKEL	WL*H-H *VM	COVER	1	Stk
068.08.14	1316.170.808	DECKEL	WL*AUSL+GEH*H-H*HF160N	COVER	1	Stk
08	1316.170.441	ANSCHLUSSTEILE	WL*NG-VORB*RG-SCHL*168N *BAJONETT	CONNECTING PARTS	1	Stk

The "gap" indicates that there is no separate graphics panel (poster) for this assembly  
The parts of this assembly are shown with the same mid-section number on the figure

### 1 Positions and subpositions

Pos.	Sachnummer Product number	Benennung (Description)	Technische Info Technical info	Description (Benennung)	Menge Quantity	Einheit Unit
0370	1315.201.054	RUECKLAUFBOLZEN	KPL.16S151*SG*L= 79	REV.IDLER SHAFT	1	Stk
/0120	0631.329.293	SPANNSTIFT		SLOT. PIN	1	Stk

Positions marked with "/" are the individual items of a completion  
For example: Position 0370 contains a centering pin with the position /0120

### 2 Combinations with standardized parts

Pos.	Sachnummer Product number	Benennung (Description)	Technische Info Technical info	Description (Benennung)	Menge Quantity	Einheit Unit
0630		VERSCHL.SCHR.		SCREW PLUG	1	Stk
	0636.302.067	VERSCHL.SCHR.		SCREW PLUG	1	Stk
	0634.801.249	DICHTRING	A 26 X 31	SEALING RING	1	Stk

The parts list shows the components included in the combination of standardized parts

### 3 Depiction of position/item number on the figure and in the parts list

01.620 - on the figure      01 relates to the assembly in which the position is included. Due to program-related reasons, it is shown on the figure.

0620 - in the parts list

Pos.	Sachnummer Product number	Benennung (Description)	Technische Info Technical info	Description (Benennung)	Menge Quantity	Einheit Unit
0620	0732.040.736	DRUCKFEDER		COMPRESSION SPRING	1	Stk

### 4 \*-Positions

Positions marked with an \* are optional i.e. inclusion in the parts list is not mandatory.  
The following note is shown on the figure

je nach Stücklistenausführung  
depending on spec. number  
\*  
suivant la nomenclature  
secondo la distinta base

### 5 Parts, dotted display

Parts with dotted display on the figure are only used for orientation of other parts

# Technical Cover

Page 1 from 3

Material number: 4657.026.027



6 WG 190 /

Pos.	Information	Amendment number
	CUSTOMER: BRJANSKIJ ARSENAL	
	STATE: RUSSIA	
	VEHICLE DATA: -----	
	VEHICLE APPLICATION: GRADER GS18	
	WEIGHT LOADED (TO): 13,5	
	ENGINE: YAMZ 236	
	ENGINE POWER(KW): 184	
	SPEED (RPM): 2000	
	INPUT TORQUE(NM): 1080	
	SPEED (RPM): 1300	
	TIRE RADIUS (M): 0,600	
	AXLE RATIO: 14,100	
	MAX. SPEED (KM/H): 51	
	PRODUCT DESCRIPTION: ZF-ERGOPOWER TRANSMISSION	
	TRANSMISSION TYPE 6 WG 190	
	DROP CENTER DISTANCE: 540 MM	
	VEHICLE: GRADER	
	VERSION STANDARD	
	1. GEAR FORWARD: 5,562	
	2. GEAR FORWARD: 3,615	
	3. GEAR FORWARD: 2,255	
	4. GEAR FORWARD: 1,466	
	5. GEAR FORWARD: 0,942	
	6. GEAR FORWARD: 0,613	
	1. GEAR REVERSE: 5,274	
	2. GEAR REVERSE: 2,138	
	3. GEAR REVERSE: 0,894	
	NUMBER OF PULSES ENGIN: 4	
	NUMBER OF PULSES TURB: 54	
	NUMBER OF PULSES MRK: 55	
	NUMBER OF PULSES OUTP.: 46	
	CONVERTER: W 340	
	CONVERTER PART NR: 4168034117	



Pos.	Information	Amendment number
	LOCK-UP CLUTCH: WITHOUT	
	TORQUE CONVERTER ABSORP 271 NM	
	STALL TORQUE RATIO: 1,77	
	STATOR FREEWHEEL: WITHOUT	
	RETARDER: WITHOUT	
	ENGINE INPUT: REMOTE MOUNTED VIA JOINT SHAFT	
	INPUT FLANGE: DIN	
	INPUT FLANGE-TYPE: DIN 120	
	SCREW: WITHOUT	
	OUTPUT: STANDARD	
	OUTPUT CONVERTER SIDE: WITHOUT AXLE DISCONNECT	
	OUTPUT FLANGECONVERTER DIN	
	OUTPUT FLANGE TYPE: DIN 180 8 X 14,1	
	SCREW: 8 X M14 X 1,5 X 45	
	OUTPUT PTO SIDE: WITHOUT PARKING BRAKE	
	OUTPUT PTO- SIDE: DIN	
	OUTPUT FLANGE-TYPE: DIN 180	
	SCREW: 8 X M14 X 1,5 X 45	
	POWER TAKE OFF: 1 PTO COAXIAL ENGINE-DEPENDEN	
	DISCONNECTION: WITHOUT	
	FLANGE: SAE C 2/4 HOLE	
	DRIVER / PROFILE: SAE C 12/24 DP 14 T	
	GEAR CHANGE CONTROL: ZF-ERGOSHIFT/ PROP VALVE	
	VOLTAGE: 24 VOLT	
	OPERATING PRESSURE: 16+2 BAR	
	CABLE CONNECT. TO EST 3 BAYONET	
	CONTROL SYSTEM: -----	
	ELECTRIC PARTS ORDER: INCLUDED IN SCOPE OF SUPPLY	
	GROUP LOOSE PARTS: 4657 183 158	
	SEPERATE ORDER: WITHOUT	
	CONTROL UNIT: EST 37A	
	VEHICLE SUPPLY VOLTAGE: 24 VOLT	
	GEAR SELECTOR: VTS 3	



Pos.	Information	Amendment number
	DISPLAY: FOR SEPERATE MOUNTING	
	WIRING: WITH	
	OIL TEMPERATURE SENSOR: WITH (WITHOUT GAUGE)	
	SPEED CONTROL: CONNECTION VIA EST	
	OIL LEVEL TUBE: MOUNTED ON CONVERTER SIDE	
	OIL DIPSTICK: SHORT/STRAIGHT	
	DELIVERY OIL LEV. TUBE: ASSEMBLED	
	FILTER INSTALLATION: DIRECT MOUNTED	
	ADDITIONAL FILTER WITHOUT	
	PRES. DROP SWITCH: CLOSING SWITCH	
	EMERGENCY STEERING PUMP MOUNTING POSSIBILITY	
	GEARBOX BREATHER: WITH	
	DOCUMENTATION GEAR BOX: -----	
	SECTION DRAWING: 4657 500 012	
	GEARBOX DIAGRAM: 4657 700 043	
	OIL CIRCUIT DIAGRAMM: 4657 700 144	
	DOCU. CONTROL UNIT: -----	
	DRAWING 6009 665 002	
	DRAWING GEAR SEL. 1: 6006 635 005	
	CONNECTION DIAGRAMM: 6006 700 529	
	WIRING DIAGRAMM: 6029 701 955	
	CONNECTION DIAGRAMM: 6029 701 951	
	DRAWING DISPLAY: 6007 603 047	
	OIL CAPACITY: 27	
	GEARBOX OIL CAPACITY: WITHOUT	
	OIL-CLASS: TE ML 03	
	PRIME CODE: RAL-3009	
	INSTAL. INSTRUCTIONS: 0000 702 271	
	INSTALLATION DRAWING: 4657 626 027	
	1.PERFORMANCE CALC.: 4657 707 001	

# Assembly group overview

Page 1 from 2



6 WG 190 /

Material number: 4657.026.027

Picture	Pos.	Material number	Name	Quantity	Amend. no.	Techn. Info.
465713004500	270	4657.130.045	ENGINE CONNECTION	1		
465613040400	280	4656.130.404	ENGINE CONNECTION	1		
416603408000	500	4166.034.080	CONVERTER	1		
465710201600	30	4657.102.016	INPUT	1		
465710103301	10	4657.101.033	TRANSMISSION HOUSING	1		
465710140800	20	4657.101.408	TRANSMISSION HOUSING	1		
465717103000	350	4657.171.030	COUPLING	1		
465717202700	360	4657.172.027	COUPLING	1		
465717301900	370	4657.173.019	COUPLING	1		
465717403800	380	4657.174.038	COUPLING	1		
465717501400	390	4657.175.014	COUPLING	1		
465717601700	400	4657.176.017	COUPLING	1		
465710301000	50	4657.103.010	OUTPUT	1		
465710342900	60	4657.103.429	OUTPUT	1		
465710343000	70	4657.103.430	OUTPUT	1		
465715400400	340	4657.154.004	POWER TAKE-OFF	1		

# Assembly group overview

Page 2 from 2

Material number: 4657.026.027



6 WG 190 /

Picture	Pos.	Material number	Name	Quantity	Amend. no.	Techn. Info.
465710601700	110	4657.106.017	SHIFT SYSTEM	1		
465710640720	115	4657.106.407	SHIFT SYSTEM	1		
465615901921	120	4656.159.019	SHIFT SYSTEM	1		
465712300300	225	4657.123.003	CONTROL UNIT	1		
465712000300	190	4657.120.003	PRESSURE REGULATOR	1		
465712200500	220	4657.122.005	PRESSURE OIL PUMP	1		
465713700200	310	4657.137.002	EMERGENCY STEERING PUMP	1		
465710700300	130	4657.107.003	SPEEDOMETER	1		
465712500200	250	4657.125.002	INDUCTIVE SENSOR	1		
465712400300	240	4657.124.003	TEMPERATURE SENSOR	1		
465613800600	330	4656.138.006	FILTER	1		
465713100400	290	4657.131.004	FILLER NOZZLE	1		
465718315800	495	4657.183.158	LOOSE PARTS	1		

# Picture

Page 1 from 1

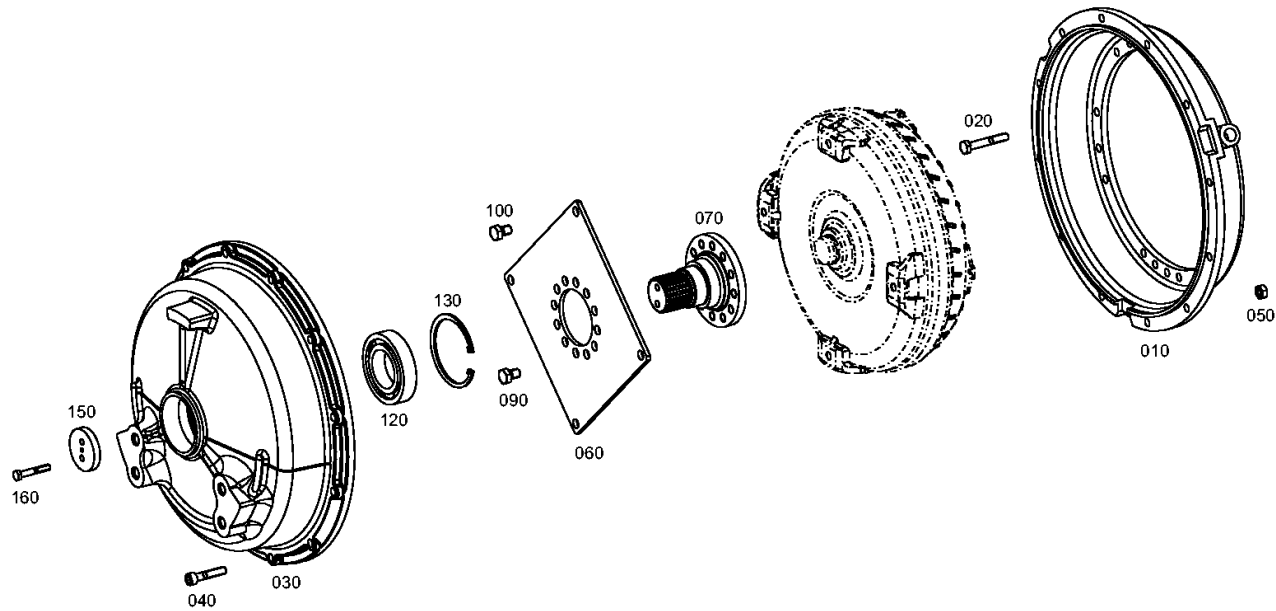
Material number: 4657.026.027

Picture: 465713004500

Material-assembly-group-no: 4657.130.045



6 WG 190 /  
ENGINE CONNECTION





# Picture

Page 1 from 1

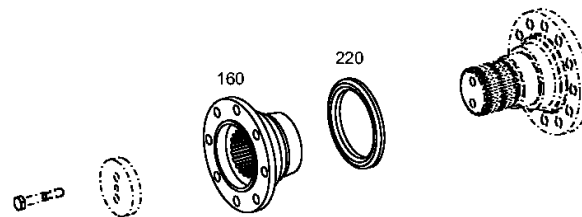
Material number: 4657.026.027

Picture: 465613040400

Material-assembly-group-no: 4656.130.404



6 WG 190 /  
ENGINE CONNECTION



# Picture

Page 1 from 1

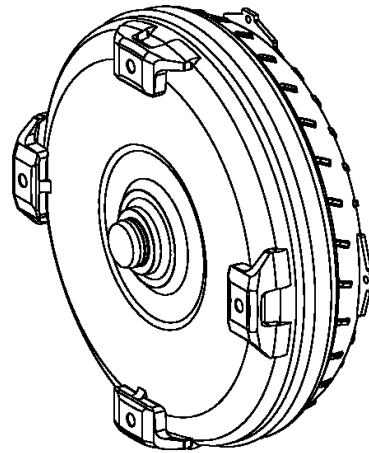
Material number: 4657.026.027

Picture: 416603408000

Material-assembly-group-no: 4166.034.080



6 WG 190 /  
CONVERTER



010

# Picture

Page 1 from 1

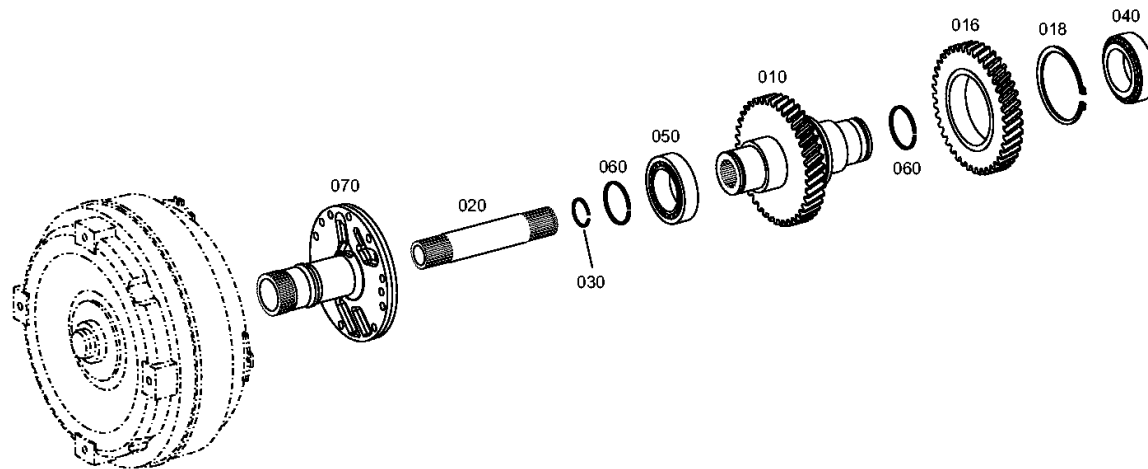
Material number: 4657.026.027

Picture: 465710201600

Material-assembly-group-no: 4657.102.016



6 WG 190 /  
INPUT



# Picture

Page 1 from 2

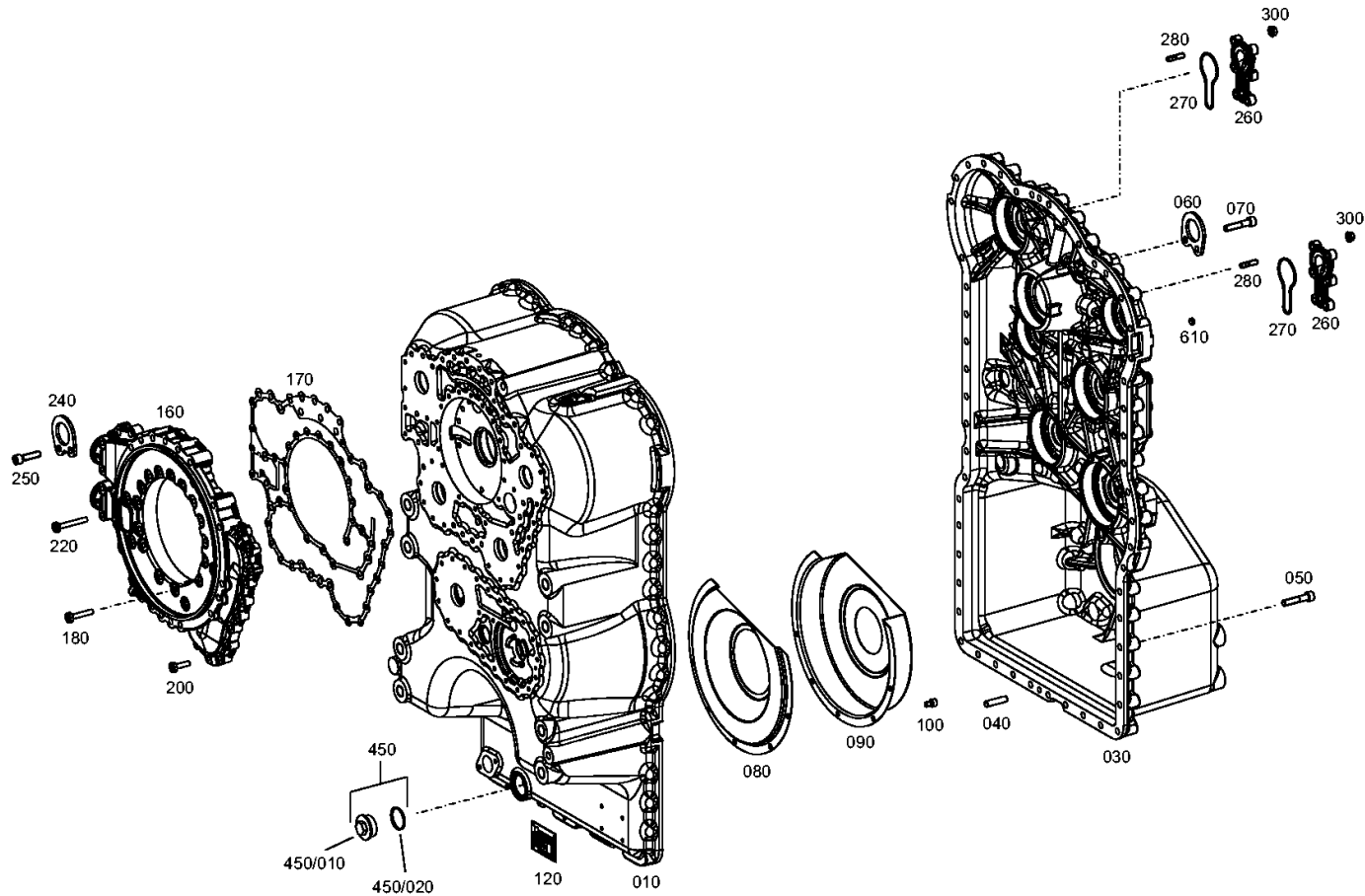
Material number: 4657.026.027

Picture: 465710103301

Material-assembly-group-no: 4657.101.033



6 WG 190 /  
TRANSMISSION HOUSING



# Picture

Page 2 from 2

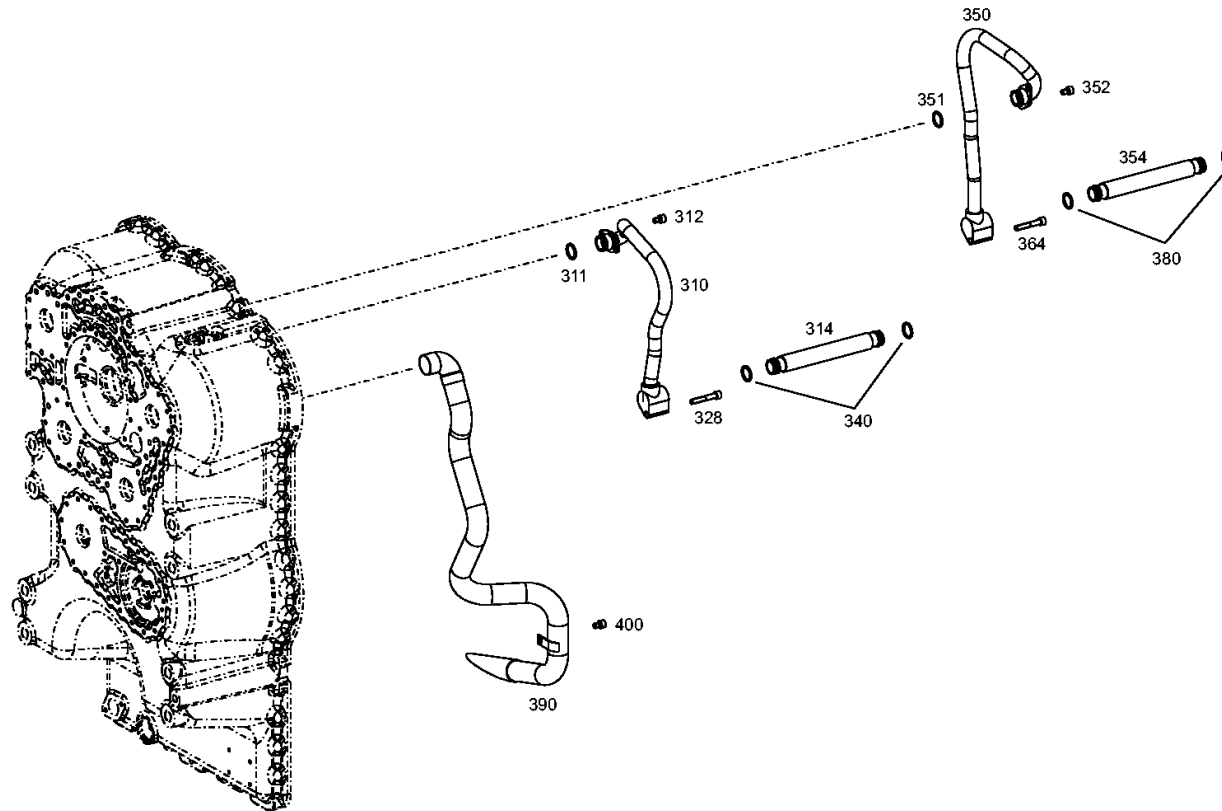
Material number: 4657.026.027

Picture: 465710103302

Material-assembly-group-no: 4657.101.033



6 WG 190 /  
TRANSMISSION HOUSING



# Picture

Page 1 from 1

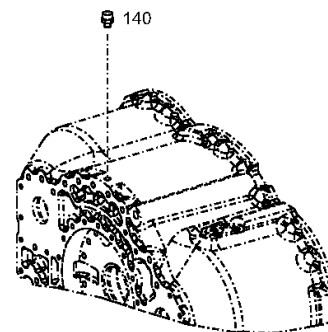
Material number: 4657.026.027

Picture: 465710140800

Material-assembly-group-no: 4657.101.408



6 WG 190 /  
TRANSMISSION HOUSING



# Picture

Page 1 from 1

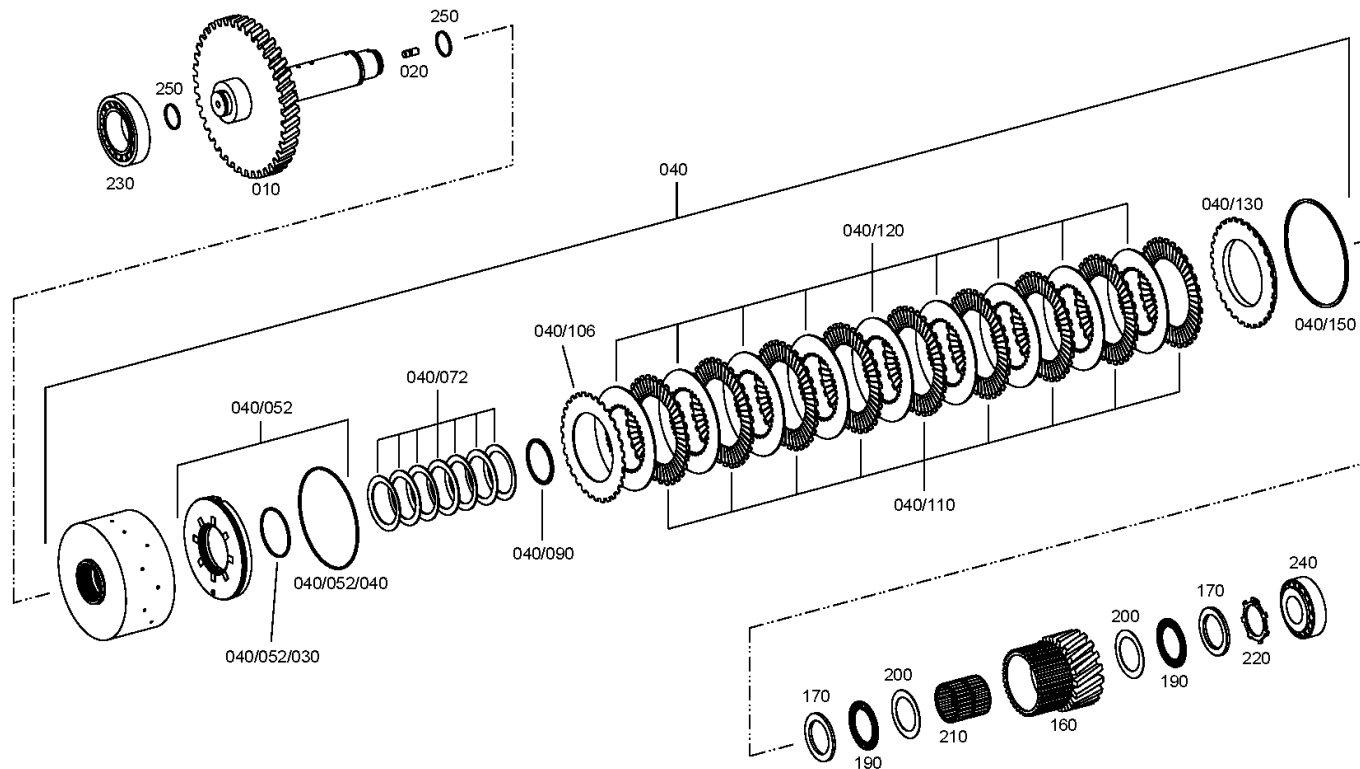
Material number: 4657.026.027

Picture: 465717103000

Material-assembly-group-no: 4657.171.030



6 WG 190 /  
COUPLING







# Picture

Page 1 from 1

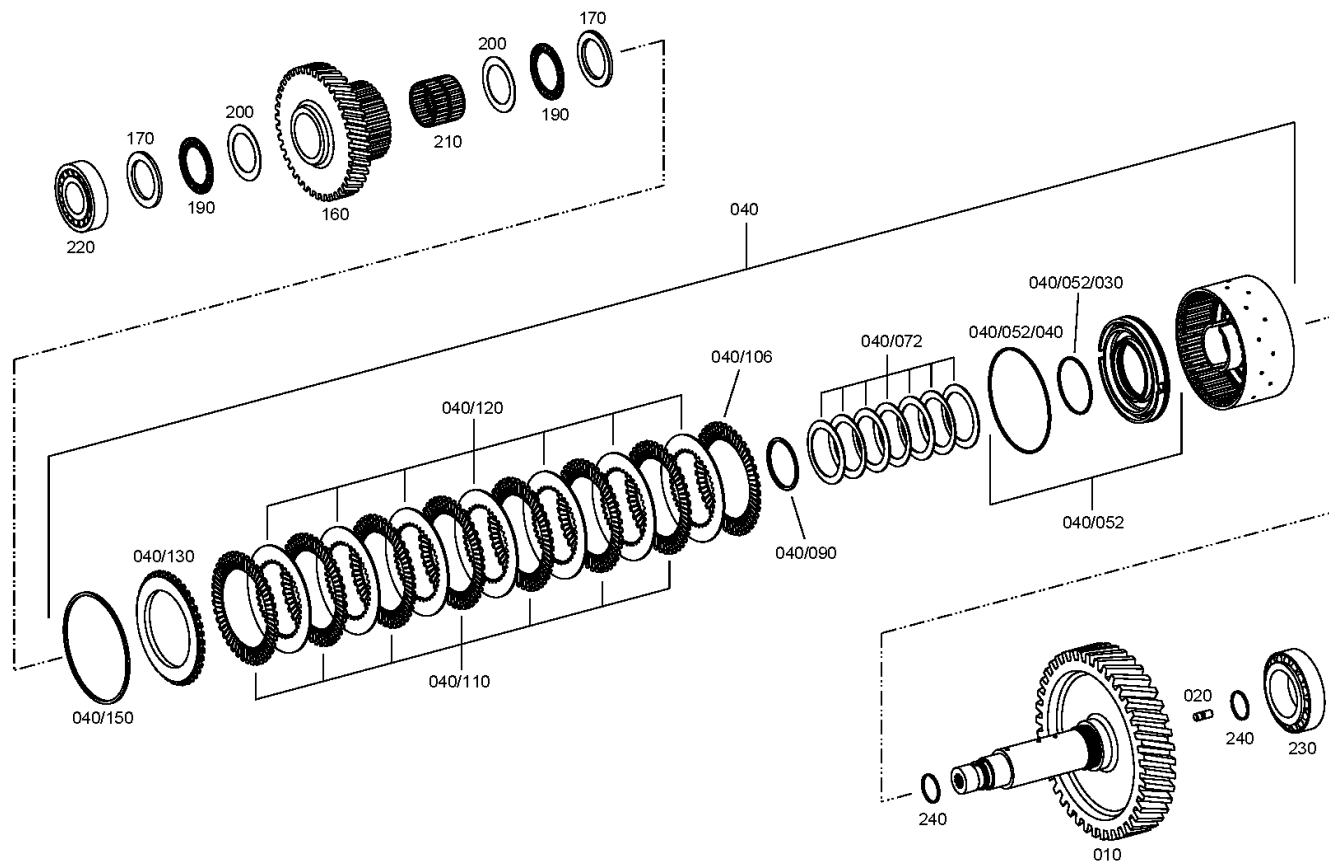
Material number: 4657.026.027

Picture: 465717301900

Material-assembly-group-no: 4657.173.019



6 WG 190 /  
COUPLING



# Picture

Page 1 from 1

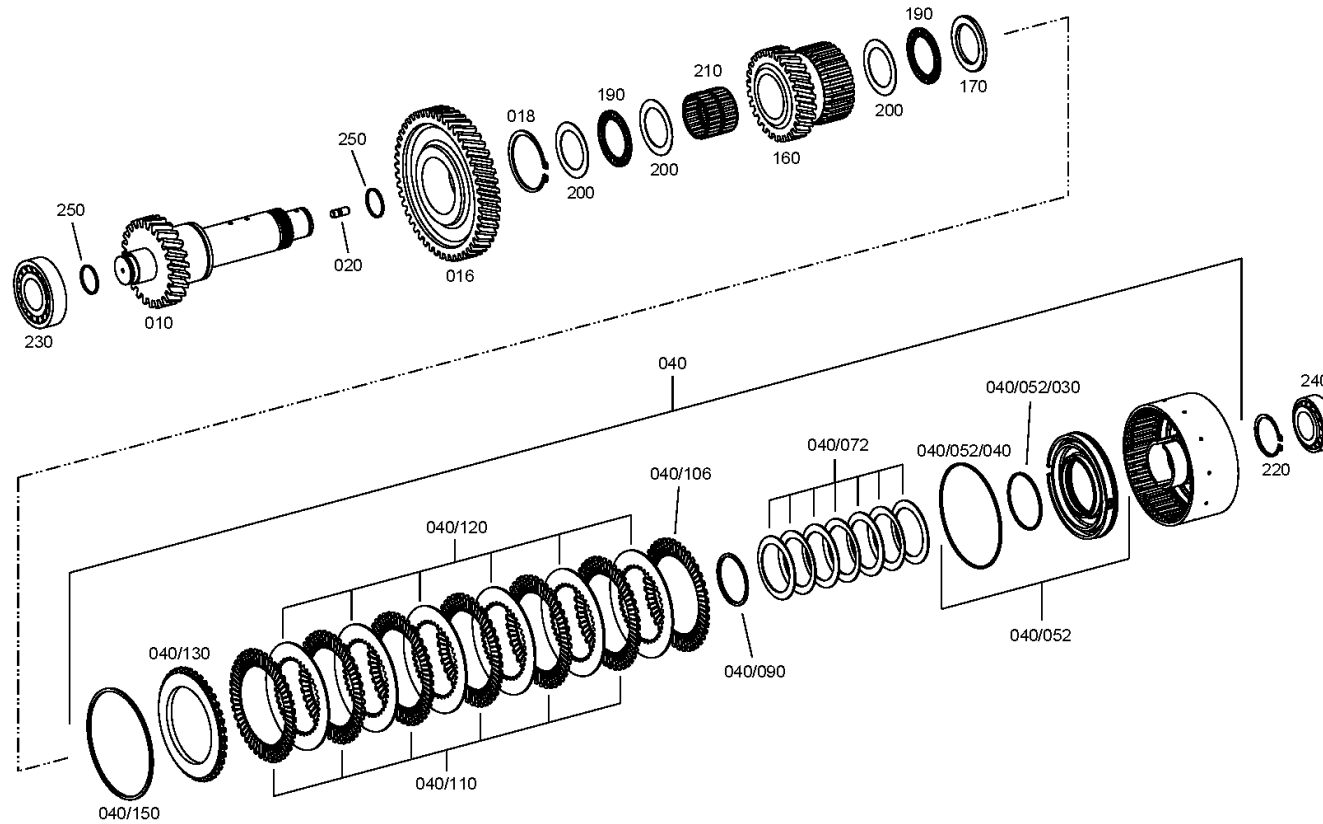
Material number: 4657.026.027

Picture: 465717403800

Material-assembly-group-no: 4657.174.038



6 WG 190 /  
COUPLING



# Picture

Page 1 from 1

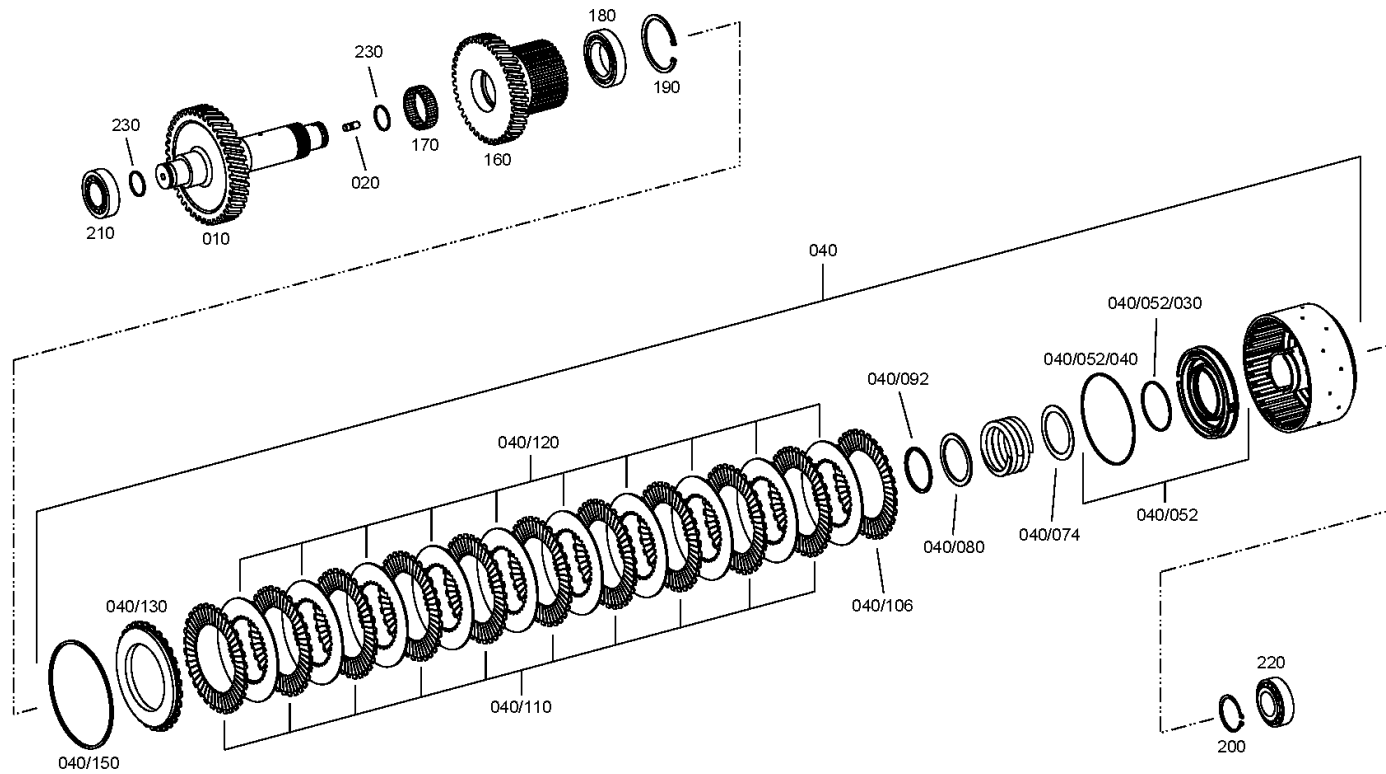
Material number: 4657.026.027

Picture: 465717501400

Material-assembly-group-no: 4657.175.014



6 WG 190 /  
COUPLING



# Picture

Page 1 from 1

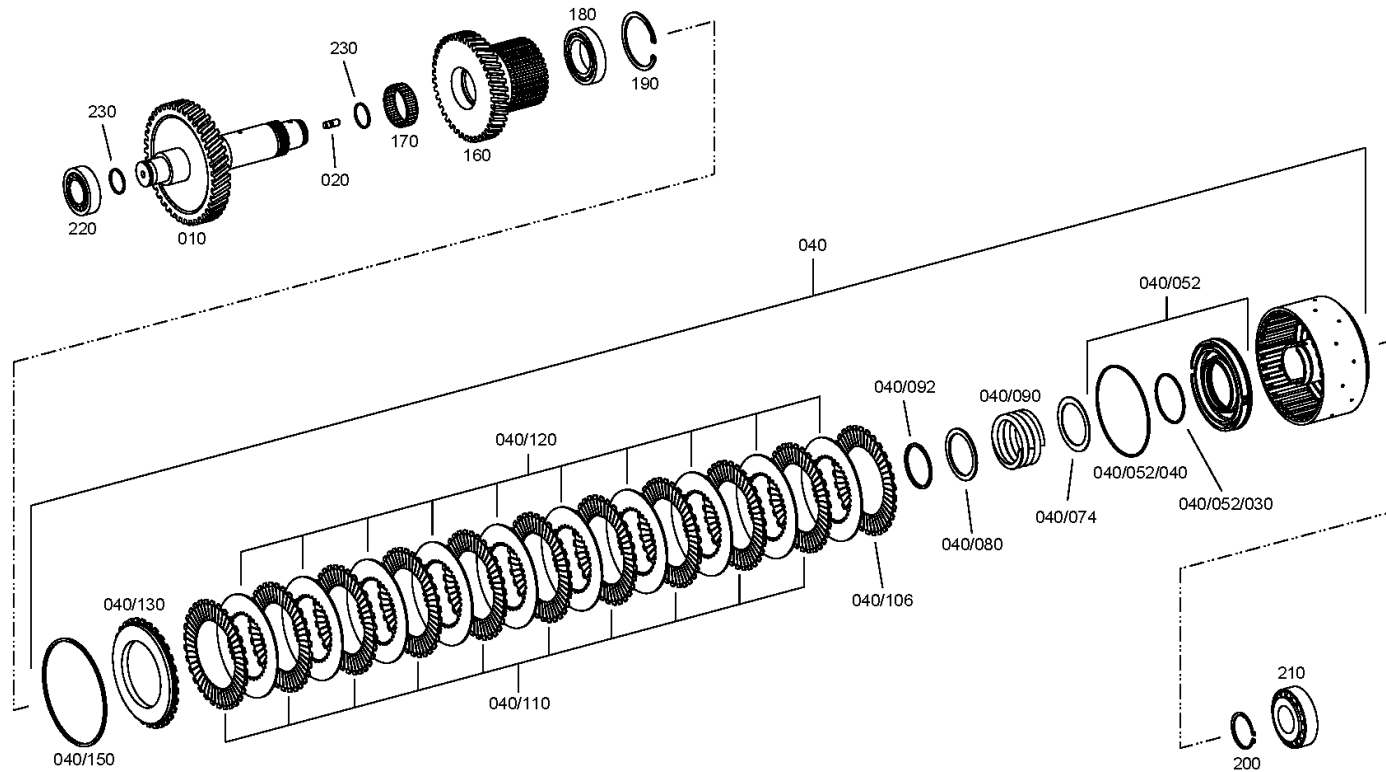
Material number: 4657.026.027

Picture: 465717601700

Material-assembly-group-no: 4657.176.017



6 WG 190 /  
COUPLING



# Picture

Page 1 from 1

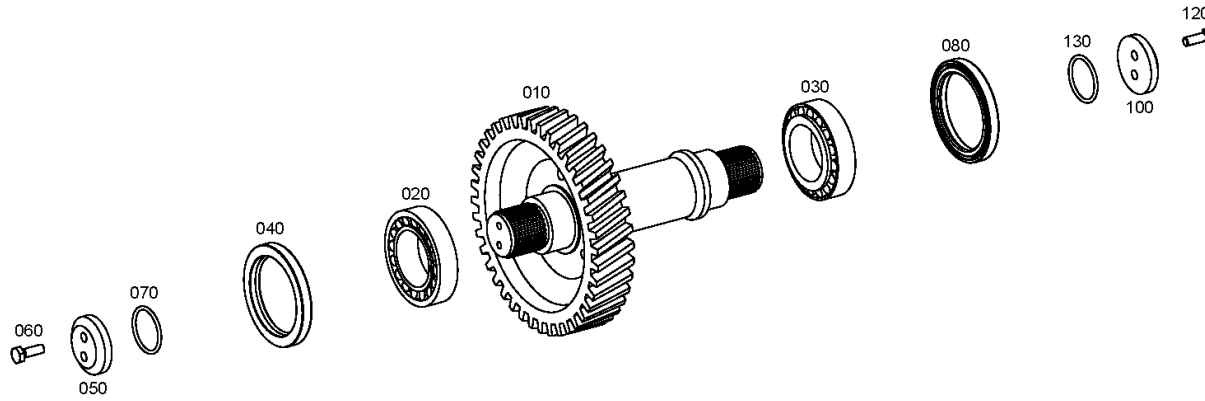
Material number: 4657.026.027

Picture: 465710301000

Material-assembly-group-no: 4657.103.010



6 WG 190 /  
OUTPUT



# Picture

Page 1 from 1

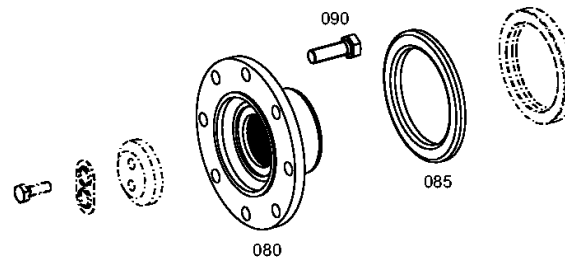
Material number: 4657.026.027

Picture: 465710342900

Material-assembly-group-no: 4657.103.429



6 WG 190 /  
OUTPUT



# Picture

Page 1 from 1

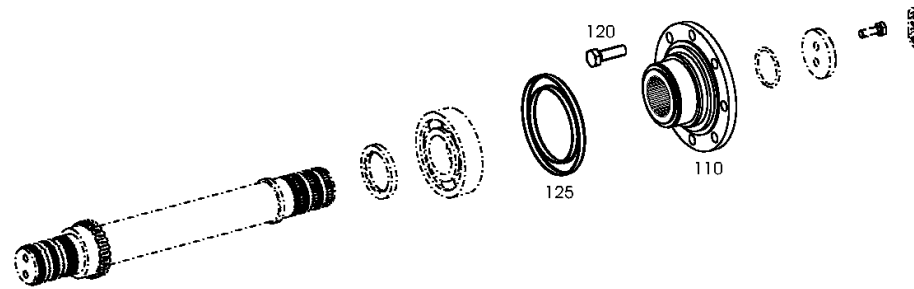
Material number: 4657.026.027

Picture: 465710343000

Material-assembly-group-no: 4657.103.430



6 WG 190 /  
OUTPUT



# Picture

Page 1 from 1

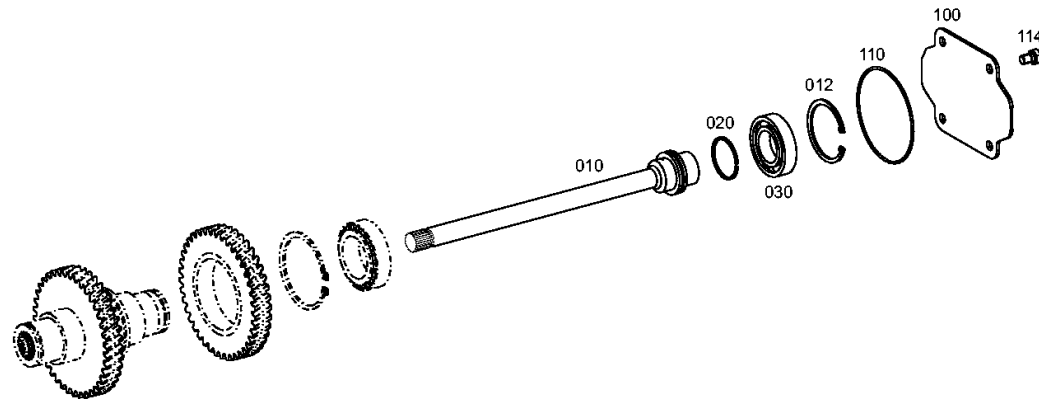
Material number: 4657.026.027

Picture: 465715400400

Material-assembly-group-no: 4657.154.004



6 WG 190 /  
POWER TAKE-OFF





# Picture

Page 1 from 2

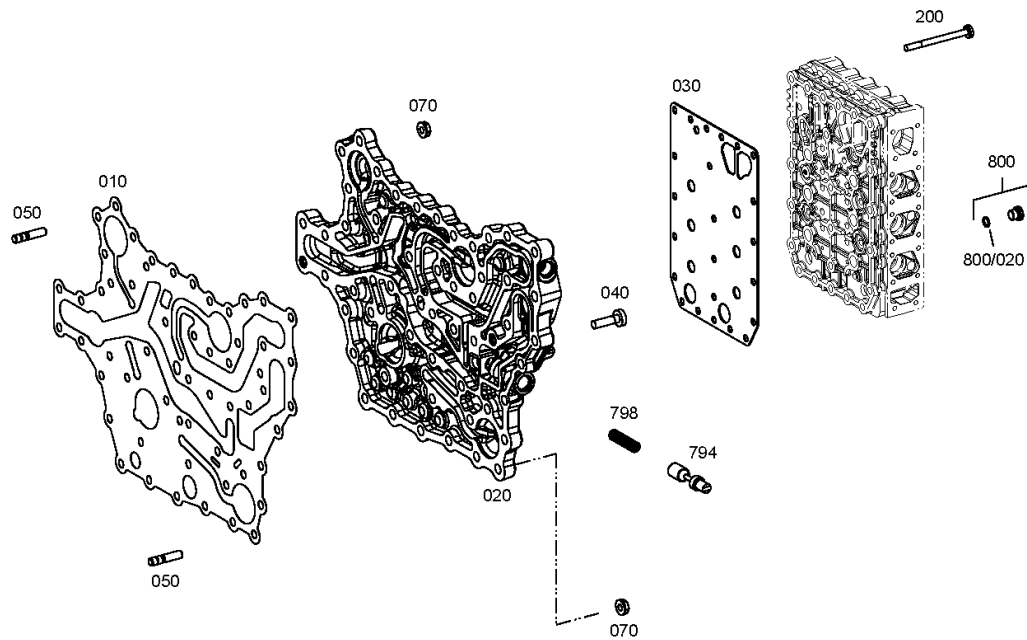
Material number: 4657.026.027

Picture: 465710601700

Material-assembly-group-no: 4657.106.017



6 WG 190 /  
SHIFT SYSTEM



# Picture

Page 2 from 2

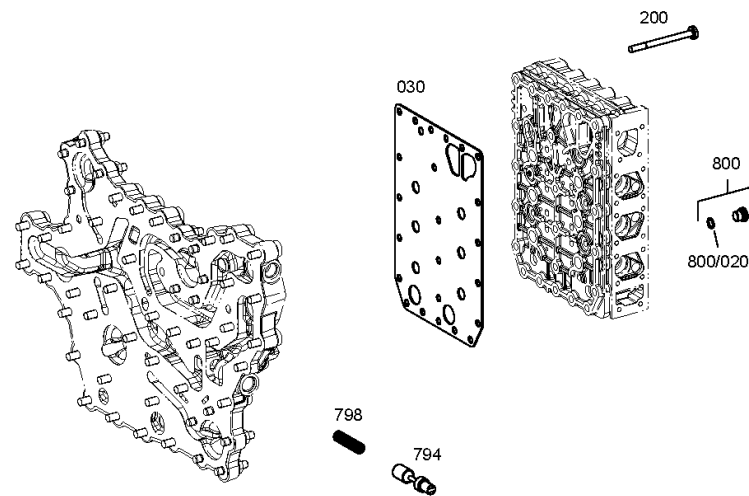
Material number: 4657.026.027

Picture: 465710601780

Material-assembly-group-no: 4657.106.017



6 WG 190 /  
SHIFT SYSTEM



# Picture

Page 1 from 1

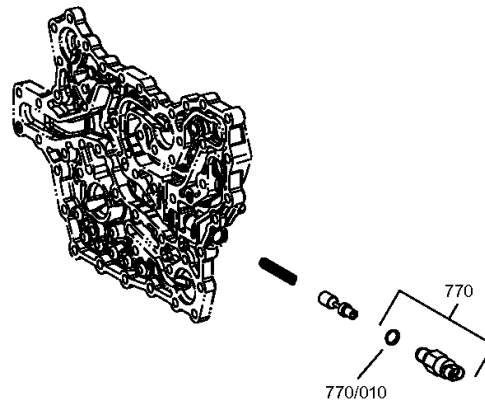
Material number: 4657.026.027

Picture: 465710640720

Material-assembly-group-no: 4657.106.407



6 WG 190 /  
SHIFT SYSTEM



# Picture

Page 1 from 2

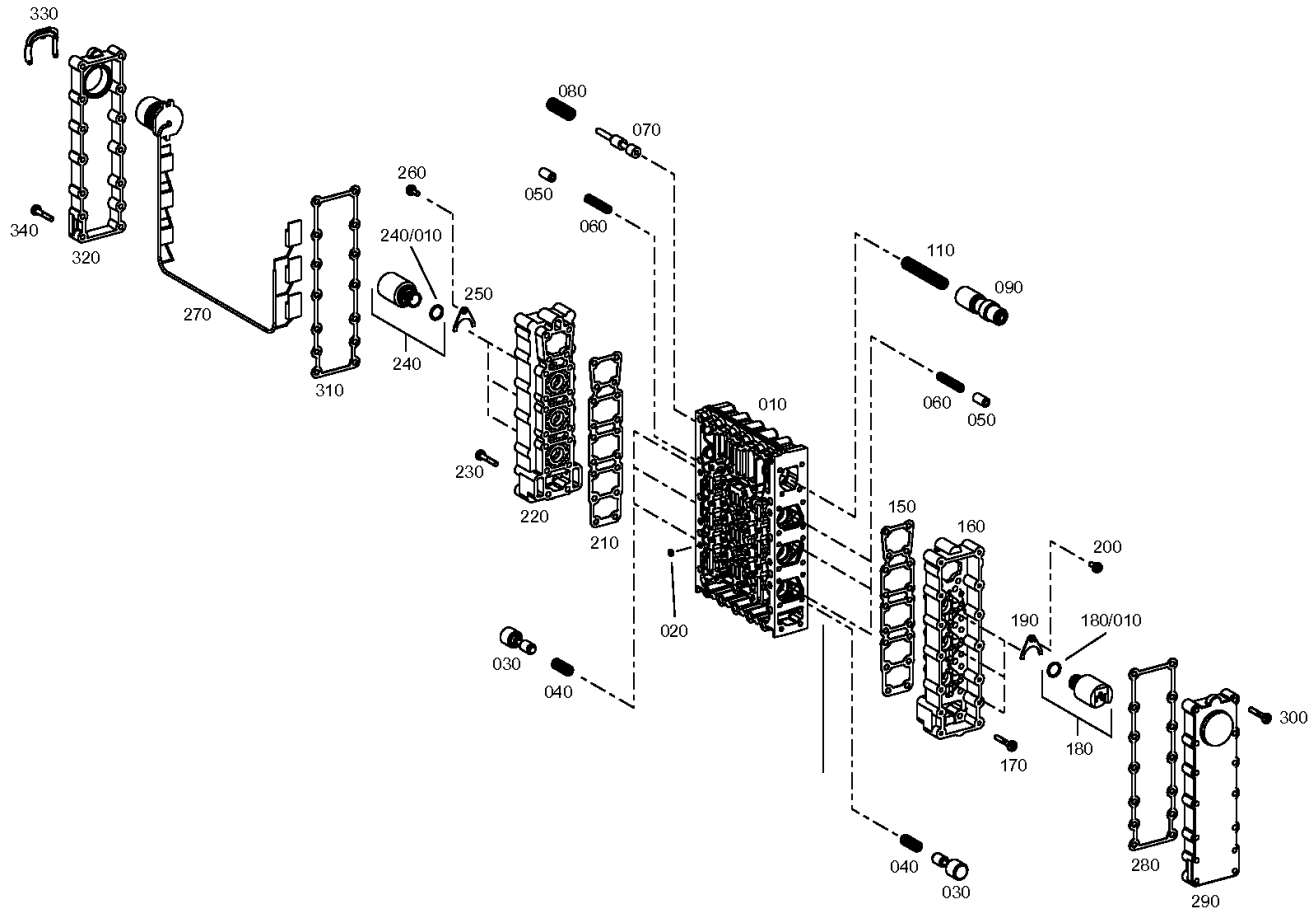
Material number: 4657.026.027

Picture: 465615901921

Material-assembly-group-no: 4656.159.019



6 WG 190 /  
SHIFT SYSTEM



# Picture

Page 2 from 2

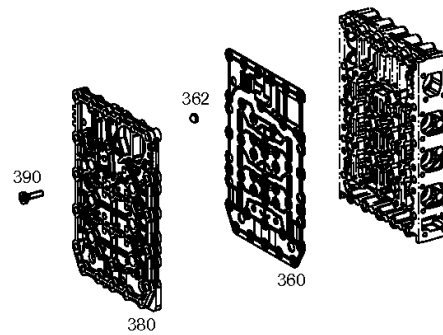
Material number: 4657.026.027

Picture: 465615901922

Material-assembly-group-no: 4656.159.019



6 WG 190 /  
SHIFT SYSTEM



# Picture

Page 1 from 1

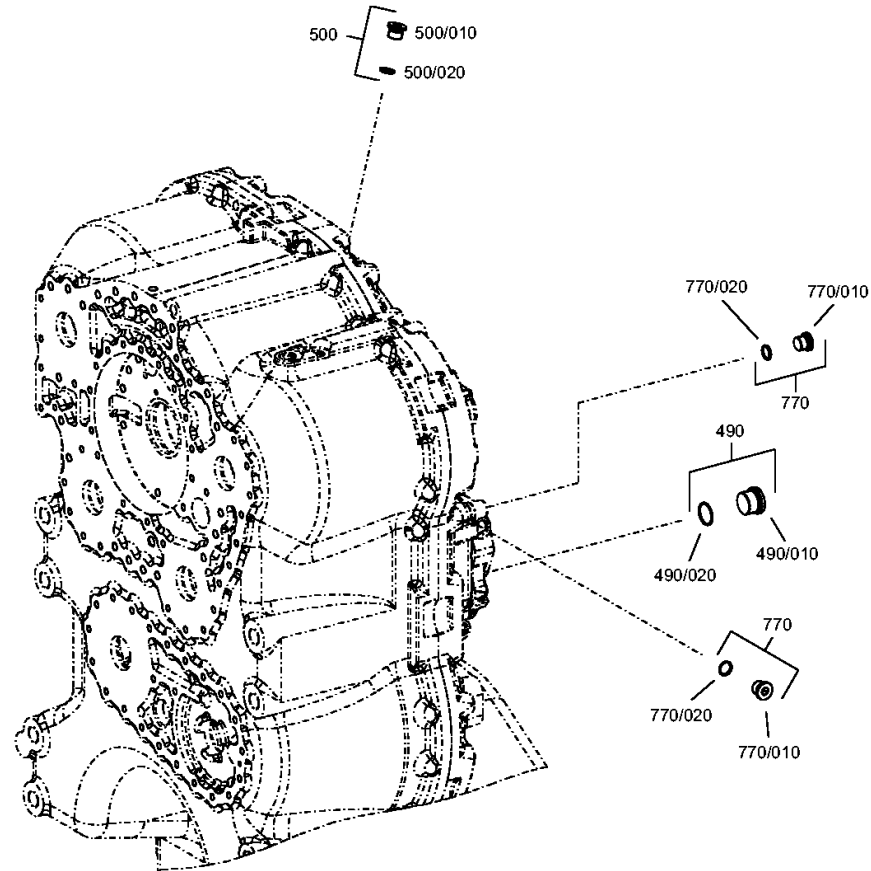
Material number: 4657.026.027

Picture: 465712300300

Material-assembly-group-no: 4657.123.003



6 WG 190 /  
CONTROL UNIT



# Picture

Page 1 from 1

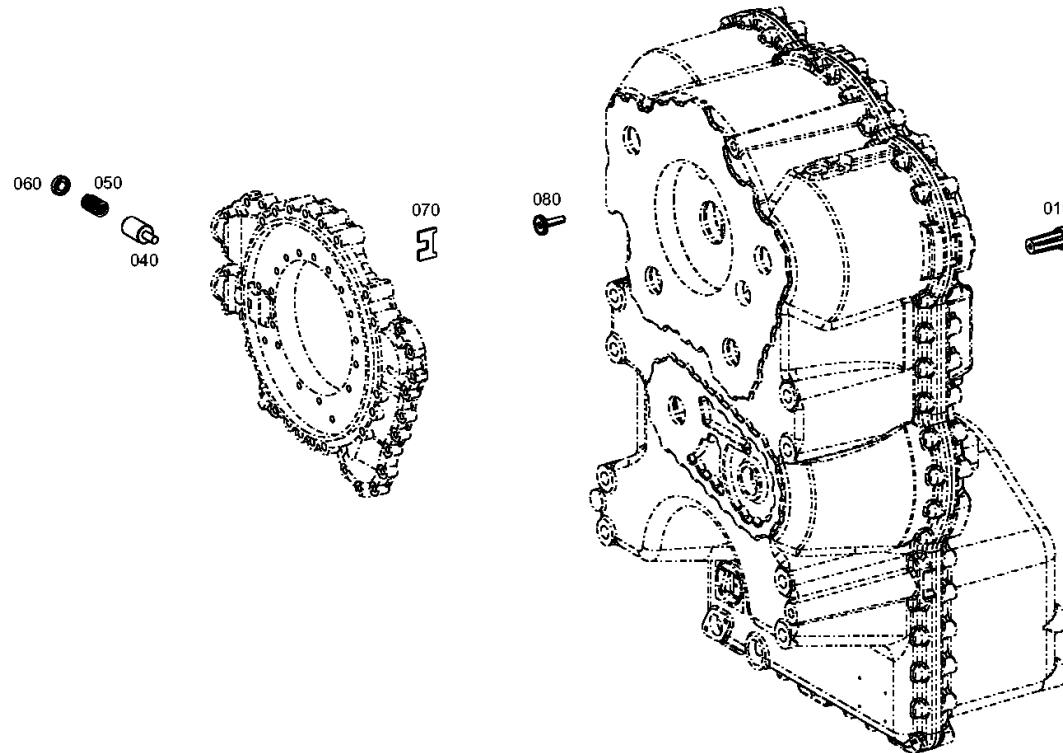
Material number: 4657.026.027

Picture: 465712000300

Material-assembly-group-no: 4657.120.003



6 WG 190 /  
PRESSURE REGULATOR



# Picture

Page 1 from 1

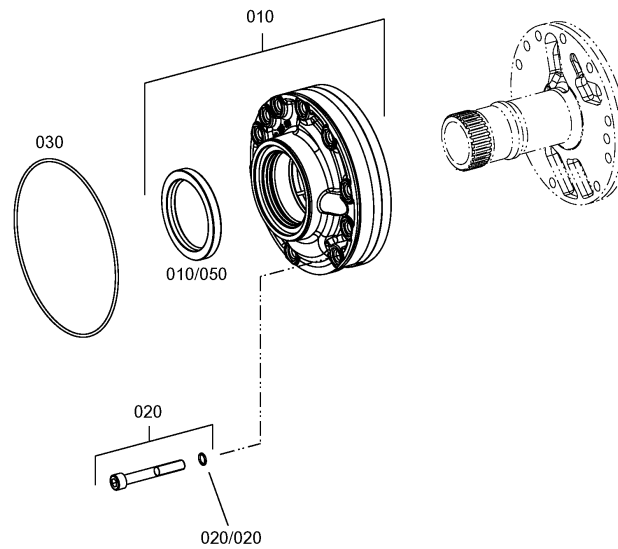
Material number: 4657.026.027

Picture: 465712200500

Material-assembly-group-no: 4657.122.005



6 WG 190 /  
PRESSURE OIL PUMP





# Picture

Page 1 from 1

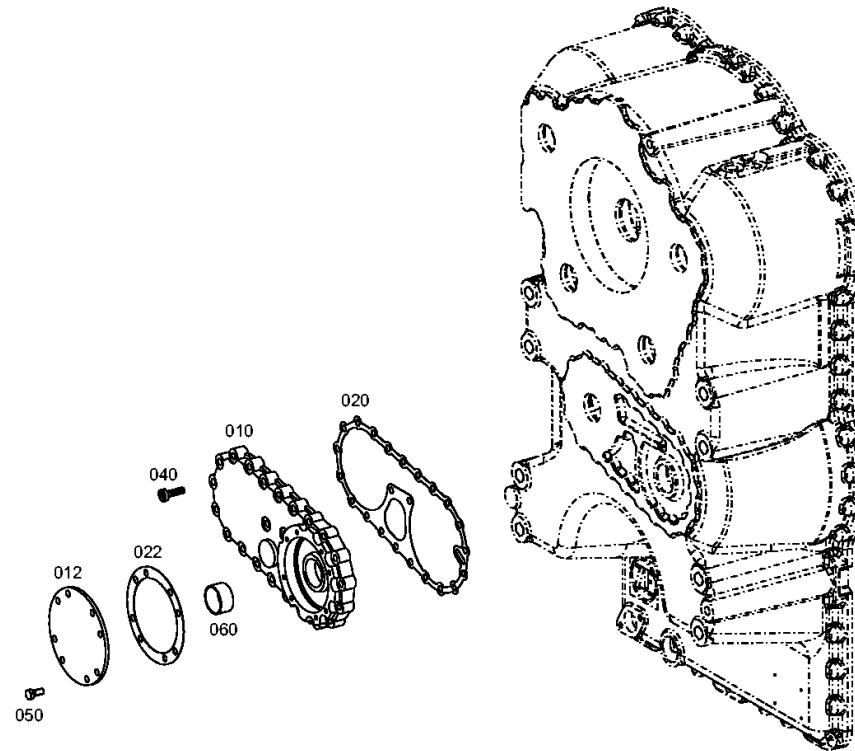
Material number: 4657.026.027

Picture: 465713700200

Material-assembly-group-no: 4657.137.002



6 WG 190 /  
EMERGENCY STEERING PUMP



# Picture

Page 1 from 1

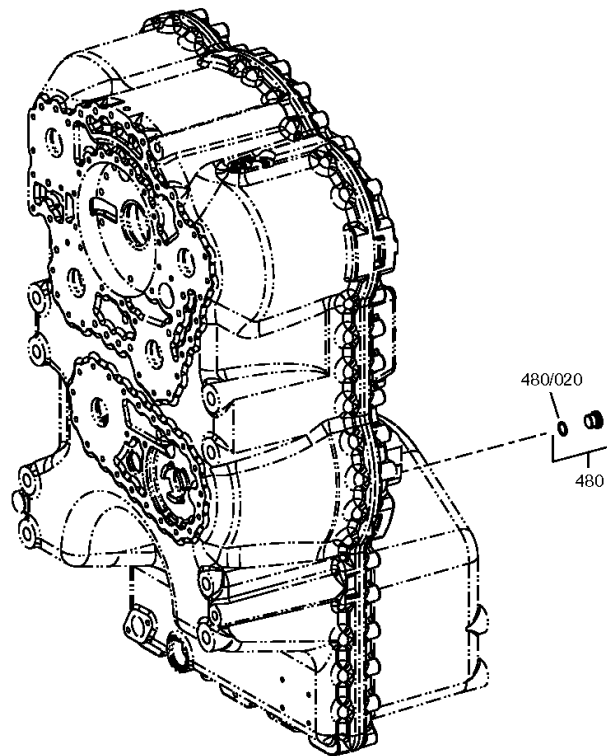
Material number: 4657.026.027

Picture: 465710700300

Material-assembly-group-no: 4657.107.003



6 WG 190 /  
SPEEDOMETER



# Picture

Page 1 from 1

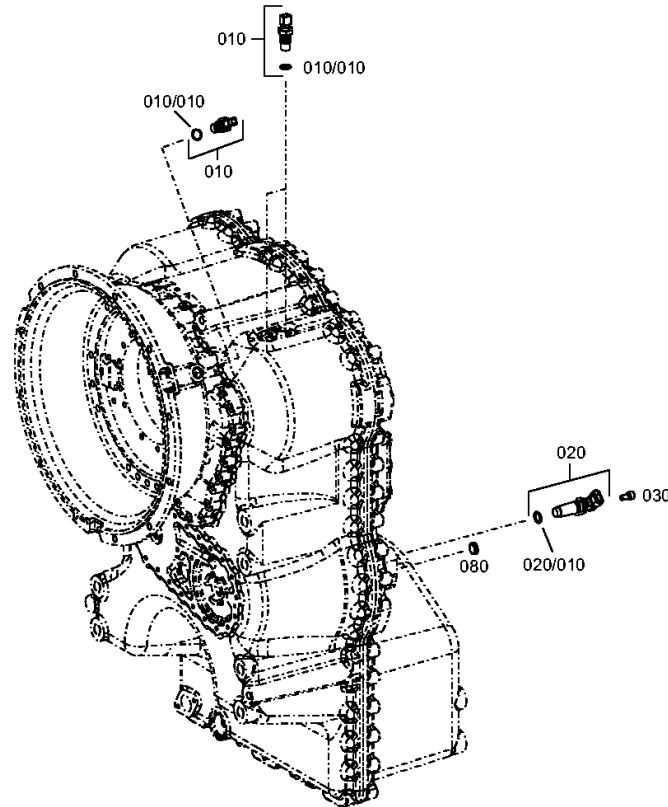
Material number: 4657.026.027

Picture: 465712500200

Material-assembly-group-no: 4657.125.002



6 WG 190 /  
INDUCTIVE SENSOR



# Picture

Page 1 from 1

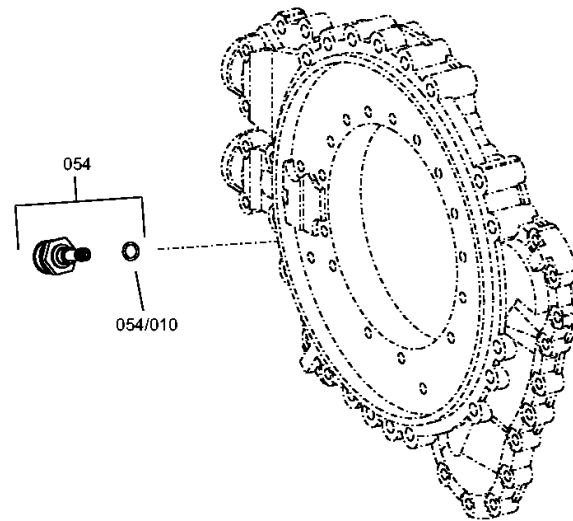
Material number: 4657.026.027

Picture: 465712400300

Material-assembly-group-no: 4657.124.003



6 WG 190 /  
TEMPERATURE SENSOR



# Picture

Page 1 from 1

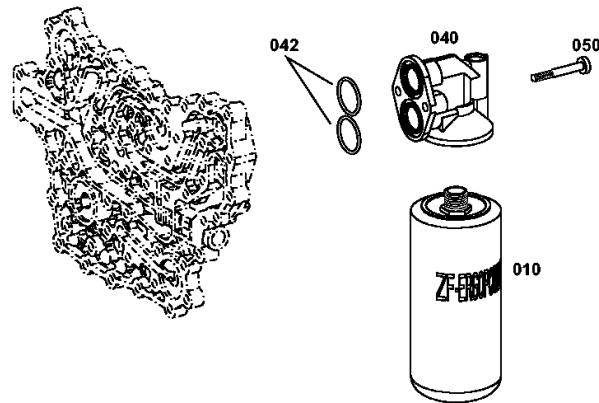
Material number: 4657.026.027

Picture: 465613800600

Material-assembly-group-no: 4656.138.006



6 WG 190 /  
FILTER



# Picture

Page 1 from 1

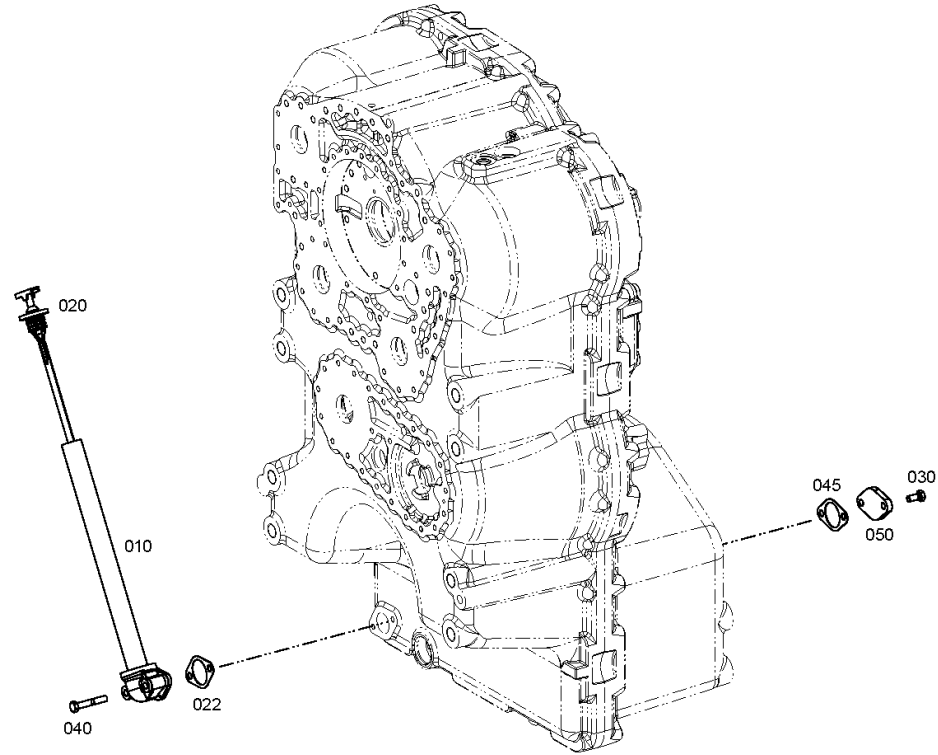
Material number: 4657.026.027

Picture: 465713100400

Material-assembly-group-no: 4657.131.004



6 WG 190 /  
FILLER NOZZLE



# Picture

Page 1 from 1

Material number: 4657.026.027

Picture: 465718315800

Material-assembly-group-no: 4657.183.158



6 WG 190 /  
LOOSE PARTS

