



# Spare Parts Catalog

4 WG 210

Material number: 4657.054.048

Current date: 11.08.2021

ZF Friedrichshafen AG  
Hauptverwaltung  
80038 Friedrichshafen  
Deutschland

Telefon: +49 7541 77-0

Telefax: +49 7541 77-908000

[www.zf.com](http://www.zf.com)

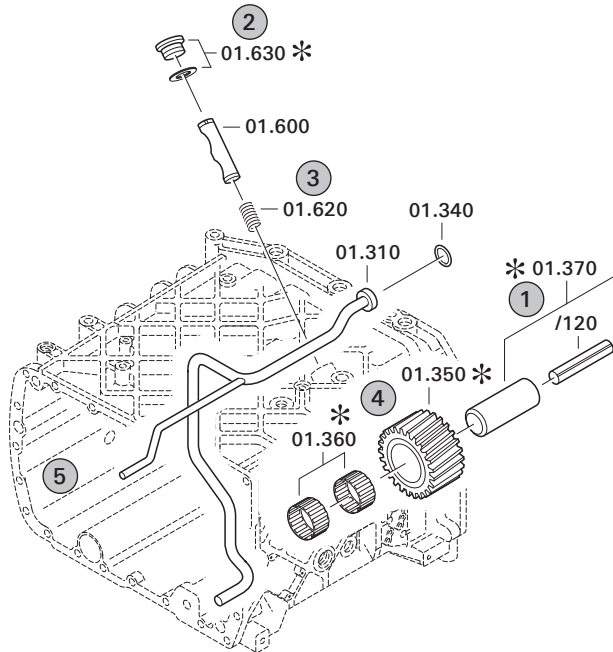
zuständiges Werk:  
Passau

# Notes relating to the spare parts catalog

## Setup of the spare parts catalog

- Cover sheet
- Technical Cover (only in SDM print)
- Overview of figures
- Figure
- Associated parts list
- Next figure
- Associated parts list
- ...

## Figure and parts list



## Overview of figures

Bildtafel Figure	Sachnummer Product number	Benennung (Description)	Technische Info Technical info	Description (Benennung)	Menge Quantity	Einheit Unit
068.08.17	1316.170.001	AUSLEGER	WL	SHIFT TURRET	1	Stk
068.08.06	1316.170.031	DECKEL	WL*H-H *VM	COVER	1	Stk
068.08.14	1316.170.808	DECKEL	WL*AUSL+GEH*H-H*HF160N	COVER	1	Stk
08	1316.170.441	ANSCHLUSSTEILE	WL*NG-VORB*RG-SCHL*168N *BAJONETT	CONNECTING PARTS	1	Stk

The "gap" indicates that there is no separate graphics panel (poster) for this assembly  
The parts of this assembly are shown with the same mid-section number on the figure

### 1 Positions and subpositions

Pos.	Sachnummer Product number	Benennung (Description)	Technische Info Technical info	Description (Benennung)	Menge Quantity	Einheit Unit
0370	1315.201.054	RUECKLAUFBOLZEN	KPL.16S151*SG*L= 79	REV.IDLER SHAFT	1	Stk
/0120	0631.329.293	SPANNSTIFT		SLOT. PIN	1	Stk

Positions marked with "/" are the individual items of a completion  
For example: Position 0370 contains a centering pin with the position /0120

### 2 Combinations with standardized parts

Pos.	Sachnummer Product number	Benennung (Description)	Technische Info Technical info	Description (Benennung)	Menge Quantity	Einheit Unit
0630		VERSCHL.SCHR.		SCREW PLUG	1	Stk
	0636.302.067	VERSCHL.SCHR.		SCREW PLUG	1	Stk
	0634.801.249	DICHTRING	A 26 X 31	SEALING RING	1	Stk

The parts list shows the components included in the combination of standardized parts

### 3 Depiction of position/item number on the figure and in the parts list

01.620 - on the figure      01 relates to the assembly in which the position is included. Due to program-related reasons, it is shown on the figure.

0620 - in the parts list

Pos.	Sachnummer Product number	Benennung (Description)	Technische Info Technical info	Description (Benennung)	Menge Quantity	Einheit Unit
0620	0732.040.736	DRUCKFEDER		COMPRESSION SPRING	1	Stk

### 4 \*-Positions

Positions marked with an \* are optional i.e. inclusion in the parts list is not mandatory.  
The following note is shown on the figure

je nach Stücklistenausführung  
depending on spec. number  
\*  
suivant la nomenclature  
secondo la distinta base

### 5 Parts, dotted display

Parts with dotted display on the figure are only used for orientation of other parts

# Technical Cover

Page 1 from 4

Material number: 4657.054.048



4 WG 210 /

Pos.	Information	Amendment number
	CUSTOMER: HITACHI-FURUKAWA-LOADERS	
	STATE: FRANCE	
	CUSTOMER NO.: 61131	
	ZFP-PROJECT-NO.: 35328	
	VEHICLE DATA: -----	
	PERFORMANCE CALC.: 4657 706 690	
	ARTICLE: 321 RADLADER	
	VEHICLE APPLICATION: RADLADER LX 230E	
	WEIGHT EMPTY (TO): 21,3	
	ENGINE: ISUZU 6D1TC NETTO	
	ENGINE POWER(KW): 228	
	SPEED (RPM): 2000	
	INPUT TORQUE(NM): 1216	
	SPEED (RPM): 1600	
	TIRES: 26.5X25	
	TIRE RADIUS (M): 0.805	
	AXLE RATIO: 26.664	
	MAX. SPEED (KM/H): 34	
	V-MAX. 1. GEAR (KM/H): 7	
	MAX. DRAW. PULL: 167396	
	CONV.OUTP.STALL(RPM): 2122	
	PERFORMANCE CALC.: NO	
	AGGREGAT DATA: -----	
	VERSION STANDARD	
	TRANSMISSION TYPE 4 WG 210	
	RATIOS FORWARD 1.GEAR: 3,632	
	RATIOS FORWARD 2. GEAR: 2,184	
	3. GEAR FORWARD: 1,072	
	4. GEAR FORWARD: 0,636	
	1. GEAR REVERSE: 3,444	
	2. GEAR REVERSE: 2,071	
	3. GEAR REVERSE: 1,017	
	NUMBER OF PULSES ENGIN: 4	

# Technical Cover

Page 2 from 4

Material number: 4657.054.048



4 WG 210 /

Pos.	Information	Amendment number
	NUMBER OF PULSES TURB: 54	
	NUMBER OF PULSES MRK: 55	
	NUMBER OF PULSES OUTP.: 49	
	CONVERTER: W 340	
	CONVERTER BASIS NR. 034 H 090	
	LOCK-UP CLUTCH: WITHOUT	
	START. TORQUE RATIO: 2,10	
	STATOR (CONVERTER): WITHOUT	
	RETARDER: WITHOUT	
	INPUT: ENGINE MOUNTED	
	ENGINE: ISUZU	
	SAE-CONNECTION: SAE 2 4657 500 082	
	OUTPUT: STANDARD	
	OUTPUT LEFT: WITHOUT AXLE DISCONNECT	
	OUTPUT FLANGE: MECHANIC	
	OUTPUT FLANGE-TYPE: MECH 8,5 C	
	OUTPUT RIGHT: PARKING BRAKE WITH	
	DISC BRAKE: HYDR.W.SPRING-STORE SAHR FSG90	
	PRESSURE CONNECTION: M 10 X 1	
	RELEASE PRESSURE: 120 150	
	MEDIUM: HYDRAULIK OIL DIN 51525	
	OUTPUT FLANGE: MECHANIC	
	OUTPUT FLANGE-TYPE: MECH 8,5 C	
	POWER TAKE OFF: 2 PTO ENGINE-DEPENDENT	
	DISCONNECTION: WITHOUT	
	FLANGE : SAE C 2/4 HOLE	
	SHAFT: SAE B 16/32 DP 13 T	
	DISCONNECTION: WITHOUT	
	FLANGE: SAE B 2 LOCH	
	SHAFT: SAE B 16 32DP13Z	
	GEAR CHANGE CONTROL: HSG 94	
	VOLTAGE: 24 VOLT	
	OPERATING PRESSURE: 16+2 BAR	

# Technical Cover

Page 3 from 4

Material number: 4657.054.048



4 WG 210 /

Pos.	Information	Amendment number
	CABLE PACKAGE: BAJONETT	
	CONTROL SYSTEM: -----	
	ELEKTRIK PARTS DELIVERY WITH GEARBOX	
	GROUP SEPARATE SUPPLY: 4657 183 055	
	SEPARATE ORDER: DW-3 0501 210 702	
	CONTROL SYSTEM EST 37	
	VEHICLE SUPPLY VOLTAGE: 24 VOLT	
	GEAR SELECTOR: DW 3	
	DISPLAY: INTEGRATED ASSEMBLY	
	WIRING: WITHOUT	
	TEMP.WARNING INDICATOR: WITHOUT	
	OPTIONAL -----	
	SPEED CONTROL: ELECT EST 37	
	MOUNTING OIL LEV. TUBE: WITHOUT	
	ZF-FILTER: DIRECT MOUNTING-----	
	ADDITIONAL FILTER WITHOUT	
	DIFFERENTIAL PRESSURE S WITH (CLOSING SWITCH)	
	EMERGENCY STEERING PUMP WITH	
	FLOW RATE: 32 CM <sup>3</sup> /U	
	CONSTANT FLOW: 50 DM <sup>3</sup> /MIN	
	EMERGENCY STEERING PUMP AXIAL	
	GEAR VENT: LONG	
	DOCUMENTATION GEAR BOX: YES	
	SECTION DRAWING: 4657 500 012	
	INSTALL ALTERNATIVES: CUSTOMER SPECIFY	
	INSTALL.DRAWING: 4657 654 048	
	GEARBOX DIAGRAM: 4657 700 034	
	OIL CIRCUIT DIAGRAMM: 4657 700 040	
	ASSEMBLY-GUIDELINE: 4657 700 079	
	DOCU. CONTROL UNIT: -----	
	DRAWING 6009 665 002	
	DRAWING GEAR SEL. 1: 6006 630 033	
	CONNECTION DIAGRAMM: 6006 700 564	

# Technical Cover

Page 4 from 4

Material number: 4657.054.048



4 WG 210 /

Pos.	Information	Amendment number
	WIRING DIAGRAMM: 6029 701 219	
	CONNECTION DIAGRAMM: 6029 701 218	
	DRAWING DISPLAY: 6007 603 047	
	OIL CAPACITY: 27	
	GEARBOX OIL CAPACITY: WITHOUT	
	OIL-CLASS: TE ML 03	
	GETRIEBE-TROCKENMASSE: .....KG	
	PRIME COAT: ANTHRAZITGRAU RAL 7016	
	MOUNTING HINTS:4657 500 135	

# Assembly group overview

Page 1 from 3

Material number: 4657.054.048



4 WG 210 /

Graphics	Pos.	Material number	Name	Quantity	Amend. no.	Techn. Info.
	10	0501.211.070	BRAKE	1		
	40	4657.271.009	COUPLING	1		
	40	4657.272.005	COUPLING	1		
	40	4657.272.005	COUPLING	1		
	40	4657.274.016	CLUTCH	1		
	40	4657.275.010	CLUTCH	1		
	40	4657.275.010	CLUTCH	1		
465713006200	270	4657.130.062	ENGINE CONNECTION	1		
416603418100	500	4166.034.181	CONVERTER	1		
465710201400	30	4657.102.014	INPUT	1		
465712200500	220	4657.122.005	PRESSURE OIL PUMP	1		
465710103401	10	4657.101.034	TRANSMISSION HOUSING	1		
465710140900	20	4657.101.409	TRANSMISSION HOUSING	1		
465717102700	350	4657.171.027	COUPLING	1		
465717202300	360	4657.172.023	COUPLING	1		
465717302100	370	4657.173.021	COUPLING	1		
465717403700	380	4657.174.037	COUPLING	1		
465717501400	390	4657.175.014	COUPLING	1		
465717601700	400	4657.176.017	COUPLING	1		
465710300600	50	4657.103.006	OUTPUT	1		

# Assembly group overview

Page 2 from 3

Material number: 4657.054.048



4 WG 210 /

Graphics	Pos.	Material number	Name	Quantity	Amend. no.	Techn. Info.
465710341800	60	4657.103.418	OUTPUT	1		
465610900200	170	4656.109.002	PARKING BRAKE	1		
465710940600	70	4657.109.406	PARKING BRAKE	1		
465715500300	340	4657.155.003	POWER TAKE-OFF	1		
465715541000	345	4657.155.410	POWER TAKE-OFF	1		
465715540100	348	4657.155.401	POWER TAKE-OFF	1		
465710601700	110	4657.106.017	SHIFT SYSTEM	1		
465710640720	115	4657.106.407	SHIFT SYSTEM	1		
465615901921	120	4656.159.019	SHIFT SYSTEM	1		
465712300300	225	4657.123.003	CONTROL UNIT	1		
465712000300	190	4657.120.003	PRESSURE REGULATOR	1		
465613800600	330	4656.138.006	FILTER	1		
465712400100	240	4657.124.001	TEMPERATURE SENSOR	1		
465712500200	250	4657.125.002	INDUCTIVE SENSOR	1		
465710700300	130	4657.107.003	SPEEDOMETER	1		
465713700500	310	4657.137.005	EMERGENCY STEERING PUMP	1		



# Assembly group overview

Page 3 from 3

Material number: 4657.054.048



4 WG 210 /

Graphics	Pos.	Material number	Name	Quantity	Amend. no.	Techn. Info.
4657131006 00	290	4657.131.006	FILLER NOZZLE	1		
4657131401 00	300	4657.131.401	FILLER NOZZLE	1		
4657183055 00	495	4657.183.055	LOOSE PARTS	1		

# Parts list

Page 1 from 1

Material number: 4657.054.048

Material-assembly-group-no: 0501.211.070



4 WG 210 /

	Pos.	Material number	Customer material	Name	Quantity	ME	Amend. no.	Techn. Info.	Rep kit	Alternative material
🛒	20	0501.317.036		PISTON	1					
🛒	30	0501.317.037		PRESSURE RING	1					
🛒	40	0501.317.038		PRESSURE PIN	1					
🛒	60	0501.317.040		MAGNET	2					
🛒	70	0501.317.041		TOLERANCE RING	2					
🛒	110	0501.317.045		CUP SPRING	6					
🛒	120	0501.317.046		O-RING	1					
🛒	150	0630.502.075		RETAINING RING	1			92X3		
🛒	160	0501.331.455		SCREW CAP	1					
🛒	170	0501.317.049		O-RING	1					
🛒	180	0501.209.288		BREATHER	1					
🛒	190	0501.317.060		SET SCREW	1					
🛒	200	0501.317.061		HEXAGON NUT	1					
🛒	240	0501.317.572		PIN	2					
🛒	250	0501.317.573		SPRING COTTER	2					
🛒	260	0501.211.346		BRAKE LINING KIT	1					

# Parts list

Page 1 from 1

Material number: 4657.054.048

Material-assembly-group-no: 4657.271.009



4 WG 210 /

	Pos.	Material number	Customer material	Name	Quantity	ME	Amend. no.	Techn. Info.	Rep kit	Alternative material
	72	0501.316.541		CUP SPRING	7			68,500X89,000X1,400		
	90	0501.324.228		L-RING	1					
	106	0501.212.371		FRICTION DISC	1					
	110	0501.212.370		DISC	9					
	120	0501.316.592		INNER CLUTCH DISK	9					
	130	4657.371.045		END SHIM	1			Z=34		
	150	---		SNAP RING	1					
	---	0730.513.702		SNAP RING	1			h=2,25		
	---	0730.513.703		SNAP RING	1			h=2,4		
	---	0730.513.704		SNAP RING	1			h=2,55		
	---	0730.513.705		SNAP RING	1			h=2,7		
	---	0730.513.706		SNAP RING	1			h=2,85		
	---	0730.513.707		SNAP RING	1			h=3,0		
	---	0730.513.708		SNAP RING	1			h=3,15		
	---	0730.513.709		SNAP RING	1			h=3,30		
	---	0730.513.710		SNAP RING	1			h=3,45		
	---	0730.513.711		SNAP RING	1			h=3,60		
	---	0730.513.712		SNAP RING	1			h=3,75		
	---	0730.513.713		SNAP RING	1			h=3,90		
	---	0730.513.714		SNAP RING	1			h=4,05		
	---	0730.513.715		SNAP RING	1			h=4,20		

# Parts list

Page 1 from 1

Material number: 4657.054.048

Material-assembly-group-no: 4657.272.005



4 WG 210 /

	Pos.	Material number	Customer material	Name	Quantity	ME	Amend. no.	Techn. Info.	Rep kit	Alternative material
🛒	72	0501.316.541		CUP SPRING	7			68,500X89,000X1,400		
🛒	90	0501.324.228		L-RING	1					
🛒	106	0501.212.373		OUTER CLUTCH DISK	1					
🛒	110	0501.212.372		DISC	7			h=2.5		
🛒	120	0501.316.591		INNER CLUTCH DISK	7					
🛒	130	0501.316.594		END SHIM	1					
	150	---		SNAP RING	1					
🛒	---	0730.513.684		SNAP RING	1			h=2,10		
🛒	---	0730.513.685		SNAP RING	1			h=2,25		
🛒	---	0730.513.686		SNAP RING	1			h=2,40		
🛒	---	0730.513.687		SNAP RING	1			h=2,55		
🛒	---	0730.513.688		SNAP RING	1			h=2,70		
🛒	---	0730.513.698		SNAP RING	1			h=2.85		
🛒	---	0730.513.689		SNAP RING	1			h=3,00		
🛒	---	0730.513.690		SNAP RING	1			h=3,15		
🛒	---	0730.513.691		SNAP RING	1			h=3,30		
🛒	---	0730.513.692		SNAP RING	1			h=3,45		
🛒	---	0730.513.693		SNAP RING	1			h=3,60		
🛒	---	0730.513.694		SNAP RING	1			h=3,75		
🛒	---	0730.513.695		SNAP RING	1			h=3,90		
🛒	---	0730.513.696		SNAP RING	1			h=4,05		
🛒	---	0730.513.697		SNAP RING	1			h=4,20		

# Parts list

Page 1 from 1

Material number: 4657.054.048

Material-assembly-group-no: 4657.272.005



4 WG 210 /

	Pos.	Material number	Customer material	Name	Quantity	ME	Amend. no.	Techn. Info.	Rep kit	Alternative material
	72	0501.316.541		CUP SPRING	7			68,500X89,000X1,400		
	90	0501.324.228		L-RING	1					
	106	0501.212.373		OUTER CLUTCH DISK	1					
	110	0501.212.372		DISC	7			h=2.5		
	120	0501.316.591		INNER CLUTCH DISK	7					
	130	0501.316.594		END SHIM	1					
	150	---		SNAP RING	1					
	---	0730.513.684		SNAP RING	1			h=2,10		
	---	0730.513.685		SNAP RING	1			h=2,25		
	---	0730.513.686		SNAP RING	1			h=2,40		
	---	0730.513.687		SNAP RING	1			h=2,55		
	---	0730.513.688		SNAP RING	1			h=2,70		
	---	0730.513.698		SNAP RING	1			h=2.85		
	---	0730.513.689		SNAP RING	1			h=3,00		
	---	0730.513.690		SNAP RING	1			h=3,15		
	---	0730.513.691		SNAP RING	1			h=3,30		
	---	0730.513.692		SNAP RING	1			h=3,45		
	---	0730.513.693		SNAP RING	1			h=3,60		
	---	0730.513.694		SNAP RING	1			h=3,75		
	---	0730.513.695		SNAP RING	1			h=3,90		
	---	0730.513.696		SNAP RING	1			h=4,05		
	---	0730.513.697		SNAP RING	1			h=4,20		

# Parts list

Page 1 from 1

Material number: 4657.054.048

Material-assembly-group-no: 4657.274.016



4 WG 210 /

	Pos.	Material number	Customer material	Name	Quantity	ME	Amend. no.	Techn. Info.	Rep kit	Alternative material
🛒	72	0501.316.541		CUP SPRING	7			68,500X89,000X1,400		
🛒	90	0501.324.228		L-RING	1					
🛒	106	0501.212.373		OUTER CLUTCH DISK	1					
🛒	110	0501.212.372		DISC	6			h=2.5		
🛒	120	0501.316.591		INNER CLUTCH DISK	6					
🛒	130	0501.316.594		END SHIM	1					
	150	---		SNAP RING	1					
🛒	---	0730.513.684		SNAP RING	1			h=2,10		
🛒	---	0730.513.685		SNAP RING	1			h=2,25		
🛒	---	0730.513.686		SNAP RING	1			h=2,40		
🛒	---	0730.513.687		SNAP RING	1			h=2,55		
🛒	---	0730.513.688		SNAP RING	1			h=2,70		
🛒	---	0730.513.698		SNAP RING	1			h=2.85		
🛒	---	0730.513.689		SNAP RING	1			h=3,00		
🛒	---	0730.513.690		SNAP RING	1			h=3,15		
🛒	---	0730.513.691		SNAP RING	1			h=3,30		
🛒	---	0730.513.692		SNAP RING	1			h=3,45		
🛒	---	0730.513.693		SNAP RING	1			h=3,60		
🛒	---	0730.513.694		SNAP RING	1			h=3,75		
🛒	---	0730.513.695		SNAP RING	1			h=3,90		
🛒	---	0730.513.696		SNAP RING	1			h=4,05		
🛒	---	0730.513.697		SNAP RING	1			h=4,20		

# Parts list

Page 1 from 1

Material number: 4657.054.048

Material-assembly-group-no: 4657.275.010



4 WG 210 /

	Pos.	Material number	Customer material	Name	Quantity	ME	Amend. no.	Techn. Info.	Rep kit	Alternative material
🛒	74	0730.110.373		WASHER	1					
🛒	80	0730.011.028		SUPPORTING RING	1					
🛒	90	0732.042.711		COMPRESSION SPRING	1					
🛒	92	0501.324.228		L-RING	1					
🛒	106	0501.212.371		FRICTION DISC	1					
🛒	110	0501.212.370		DISC	10					
🛒	120	0501.316.592		INNER CLUTCH DISK	10					
🛒	130	4657.371.045		END SHIM	1			Z=34		
	150	---		SNAP RING	1					
🛒	---	0730.513.702		SNAP RING	1			h=2,25		
🛒	---	0730.513.703		SNAP RING	1			h=2,4		
🛒	---	0730.513.704		SNAP RING	1			h=2,55		
🛒	---	0730.513.705		SNAP RING	1			h=2,7		
🛒	---	0730.513.706		SNAP RING	1			h=2,85		
🛒	---	0730.513.707		SNAP RING	1			h=3,0		
🛒	---	0730.513.708		SNAP RING	1			h=3,15		
🛒	---	0730.513.709		SNAP RING	1			h=3,30		
🛒	---	0730.513.710		SNAP RING	1			h=3,45		
🛒	---	0730.513.711		SNAP RING	1			h=3,60		
🛒	---	0730.513.712		SNAP RING	1			h=3,75		
🛒	---	0730.513.713		SNAP RING	1			h=3,90		
🛒	---	0730.513.714		SNAP RING	1			h=4,05		
🛒	---	0730.513.715		SNAP RING	1			h=4,20		

# Parts list

Page 1 from 1

Material number: 4657.054.048

Material-assembly-group-no: 4657.275.010



4 WG 210 /

	Pos.	Material number	Customer material	Name	Quantity	ME	Amend. no.	Techn. Info.	Rep kit	Alternative material
🛒	74	0730.110.373		WASHER	1					
🛒	80	0730.011.028		SUPPORTING RING	1					
🛒	90	0732.042.711		COMPRESSION SPRING	1					
🛒	92	0501.324.228		L-RING	1					
🛒	106	0501.212.371		FRICTION DISC	1					
🛒	110	0501.212.370		DISC	10					
🛒	120	0501.316.592		INNER CLUTCH DISK	10					
🛒	130	4657.371.045		END SHIM	1			Z=34		
	150	---		SNAP RING	1					
🛒	---	0730.513.702		SNAP RING	1			h=2,25		
🛒	---	0730.513.703		SNAP RING	1			h=2,4		
🛒	---	0730.513.704		SNAP RING	1			h=2,55		
🛒	---	0730.513.705		SNAP RING	1			h=2,7		
🛒	---	0730.513.706		SNAP RING	1			h=2,85		
🛒	---	0730.513.707		SNAP RING	1			h=3,0		
🛒	---	0730.513.708		SNAP RING	1			h=3,15		
🛒	---	0730.513.709		SNAP RING	1			h=3,30		
🛒	---	0730.513.710		SNAP RING	1			h=3,45		
🛒	---	0730.513.711		SNAP RING	1			h=3,60		
🛒	---	0730.513.712		SNAP RING	1			h=3,75		
🛒	---	0730.513.713		SNAP RING	1			h=3,90		
🛒	---	0730.513.714		SNAP RING	1			h=4,05		
🛒	---	0730.513.715		SNAP RING	1			h=4,20		



# Plant

Page 1 from 1

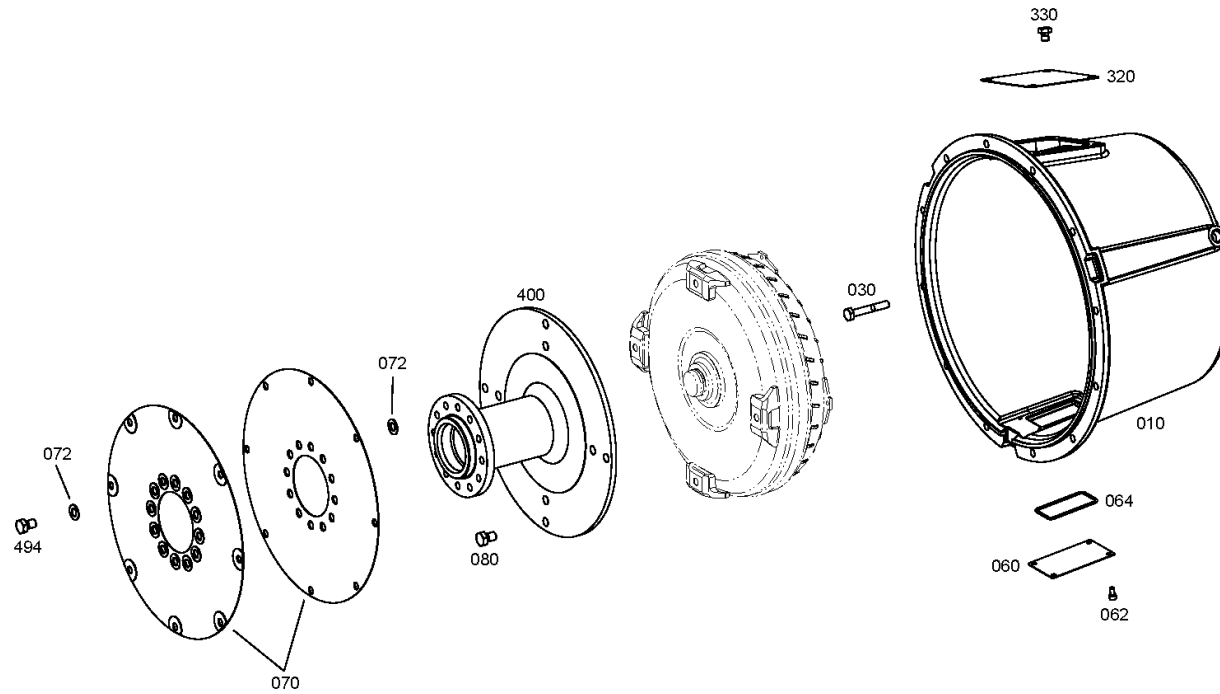
Material number: 4657.054.048

Plant: 465713006200

Material-assembly-group-no: 4657.130.062



4 WG 210 /  
ENGINE CONNECTION



# Plant

Page 1 from 1

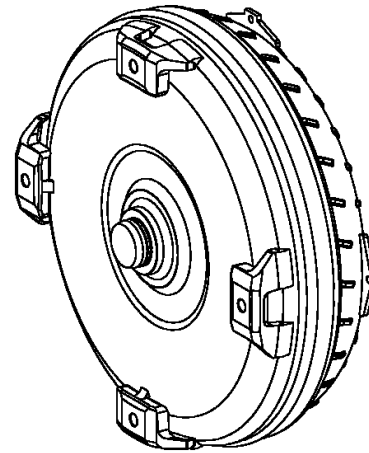
Material number: 4657.054.048

Plant: 416603418100

Material-assembly-group-no: 4166.034.181



4 WG 210 /  
CONVERTER



010

# Plant

Page 1 from 1

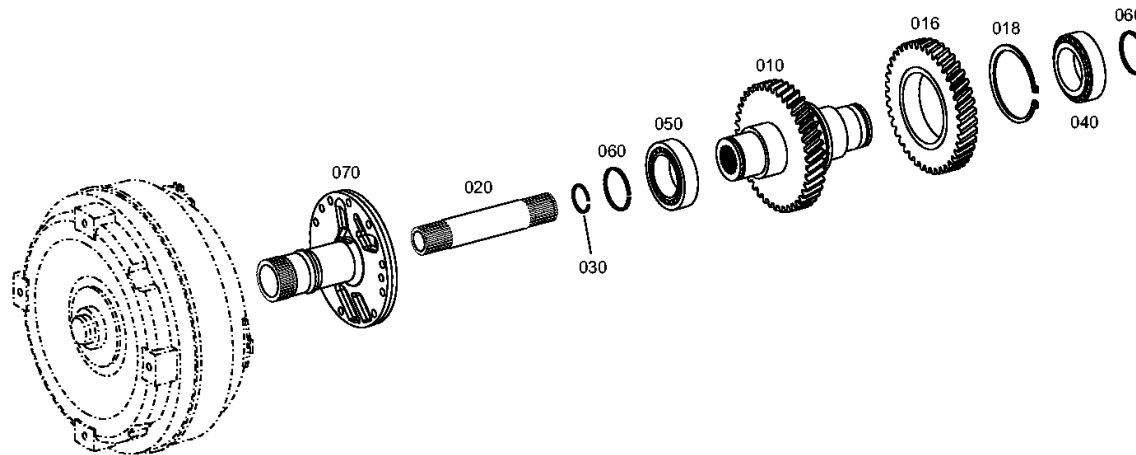
Material number: 4657.054.048

Plant: 465710201400

Material-assembly-group-no: 4657.102.014



4 WG 210 /  
INPUT



# Plant

Page 1 from 1

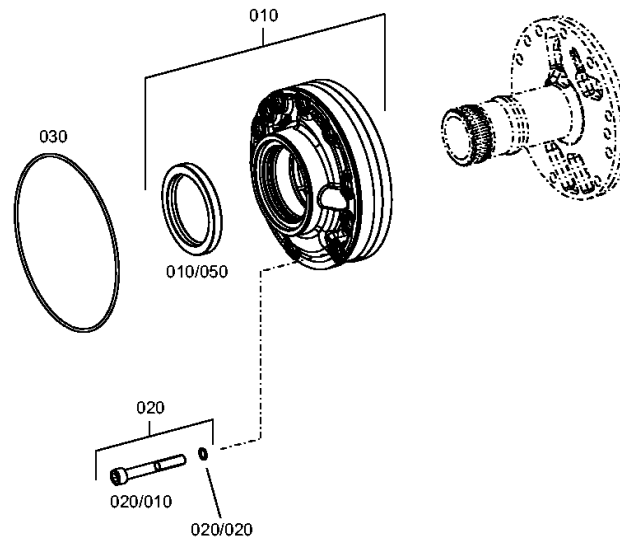
Material number: 4657.054.048

Plant: 465712200500

Material-assembly-group-no: 4657.122.005



4 WG 210 /  
PRESSURE OIL PUMP



# Plant

Page 1 from 2

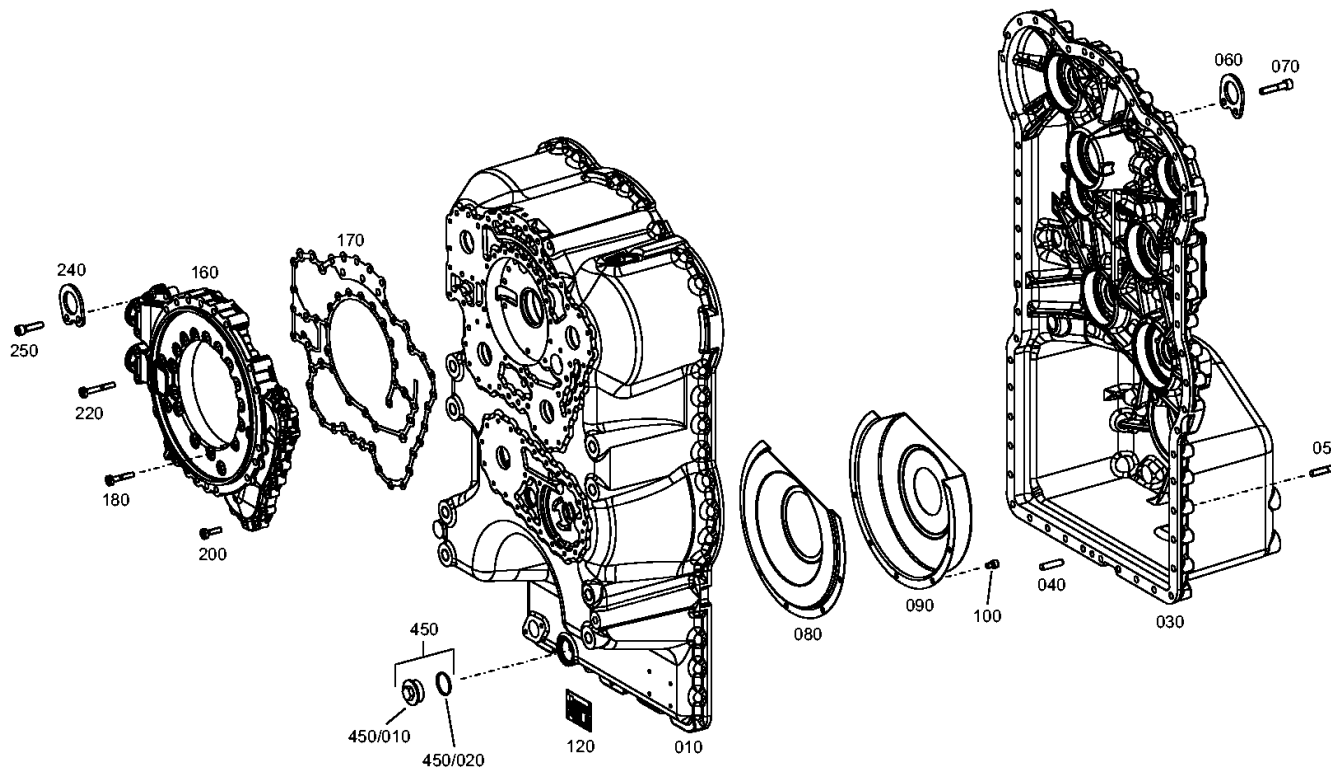
Material number: 4657.054.048

Plant: 465710103401

Material-assembly-group-no: 4657.101.034



4 WG 210 /  
TRANSMISSION HOUSING



# Plant

Page 2 from 2

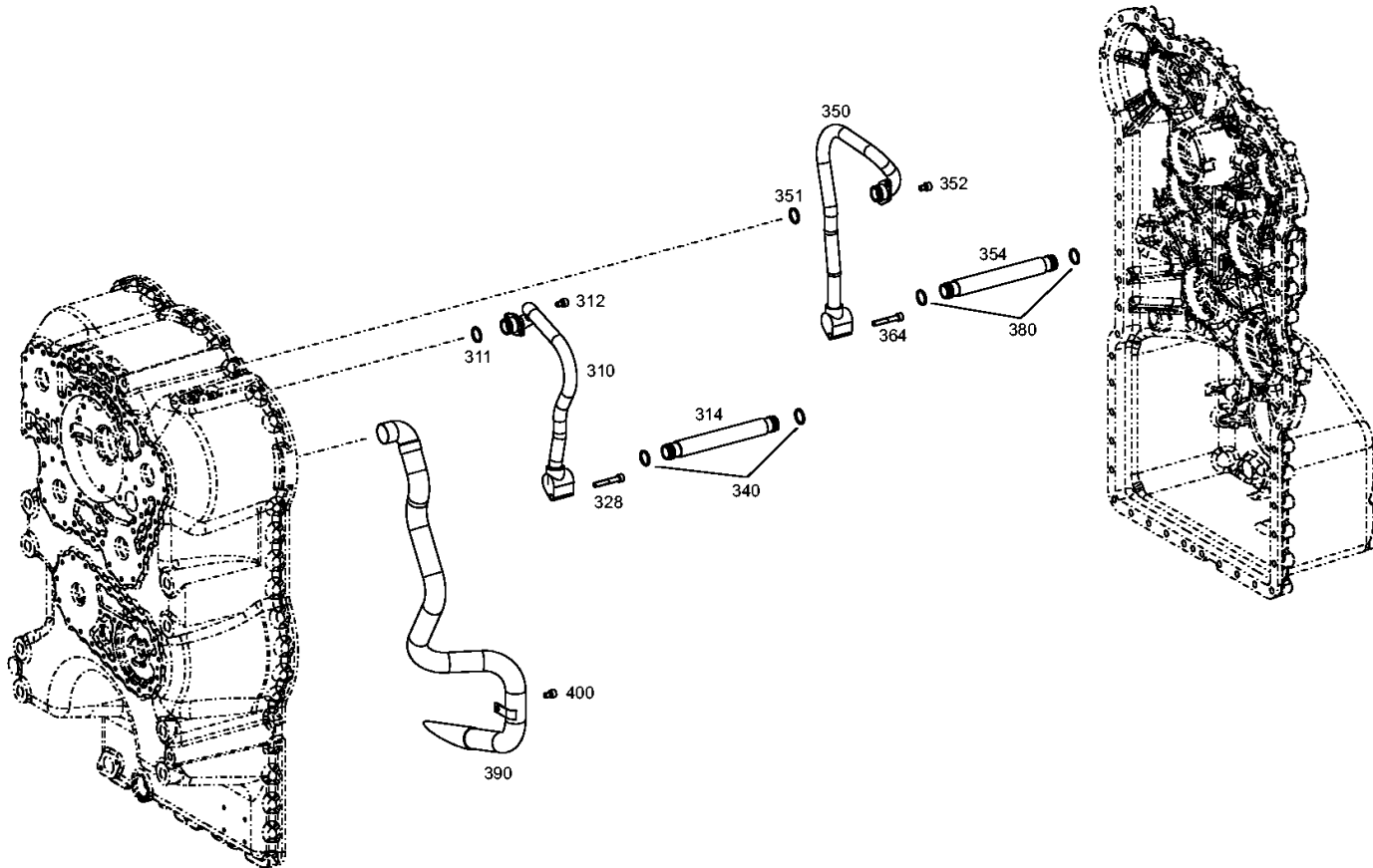
Material number: 4657.054.048

Plant: 465710103402

Material-assembly-group-no: 4657.101.034



4 WG 210 /  
TRANSMISSION HOUSING



# Plant

Page 1 from 1

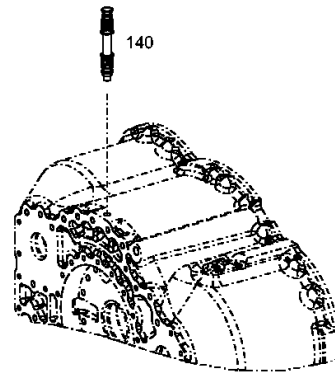
Material number: 4657.054.048

Plant: 465710140900

Material-assembly-group-no: 4657.101.409



4 WG 210 /  
TRANSMISSION HOUSING



# Plant

Page 1 from 1

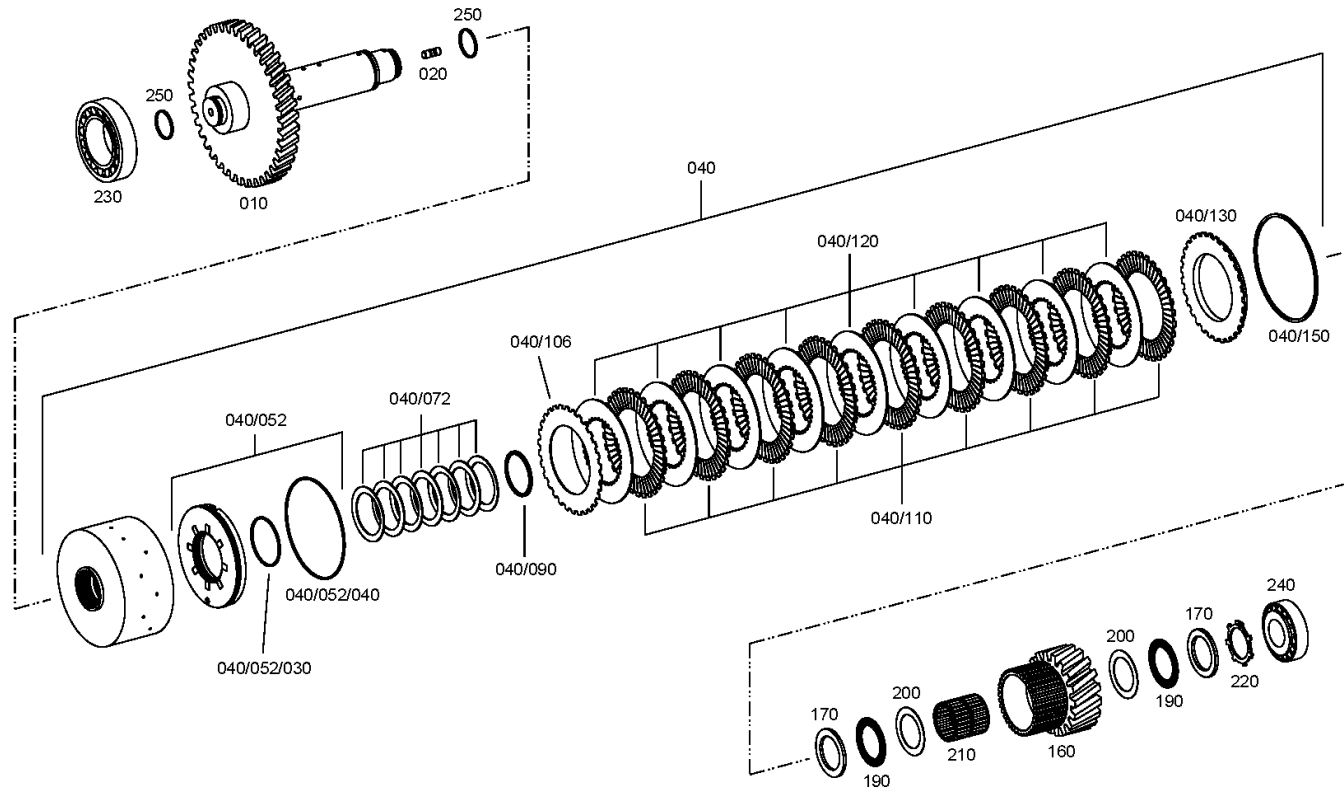
Material number: 4657.054.048

Plant: 465717102700

Material-assembly-group-no: 4657.171.027



4 WG 210 /  
COUPLING









# Plant

Page 1 from 1

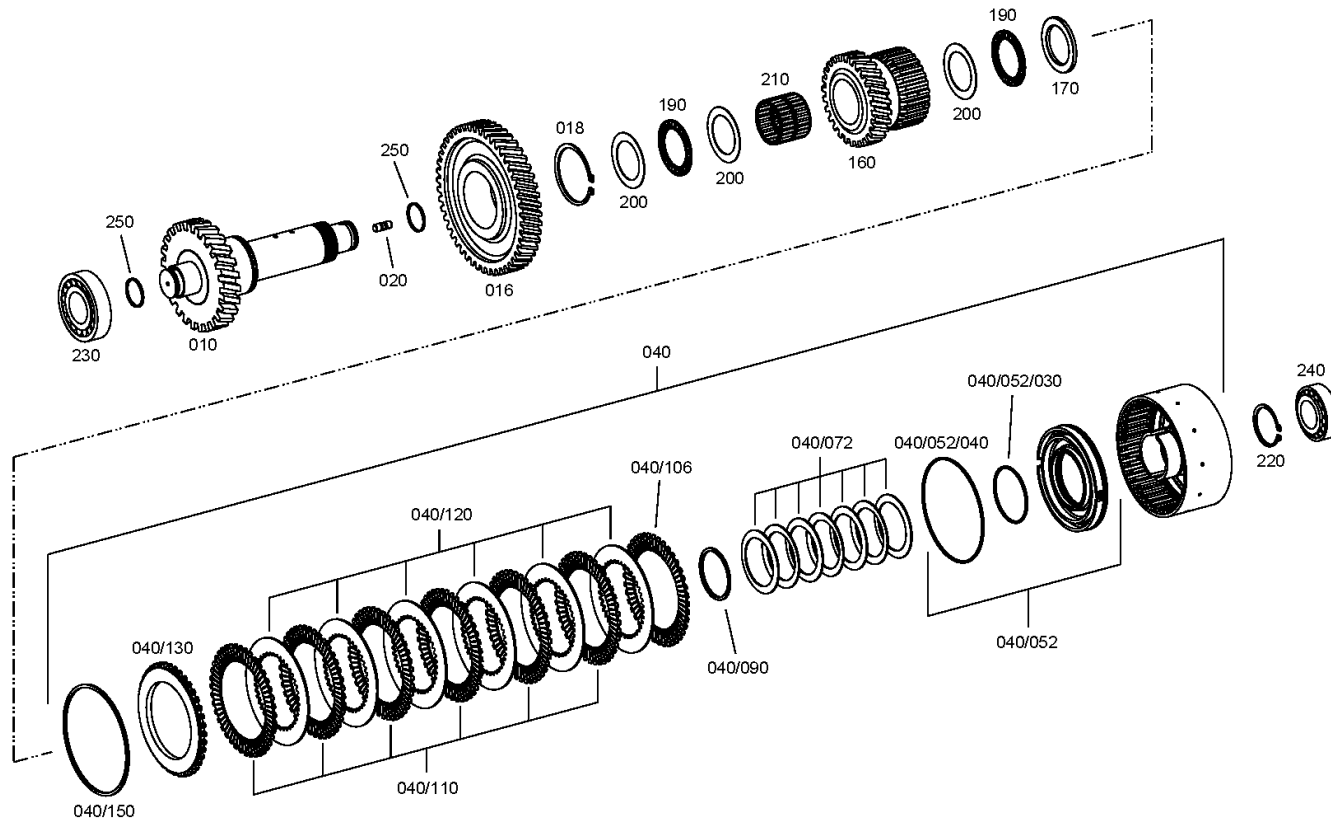
Material number: 4657.054.048

Plant: 465717403700

Material-assembly-group-no: 4657.174.037



4 WG 210 /  
COUPLING



# Plant

Page 1 from 1

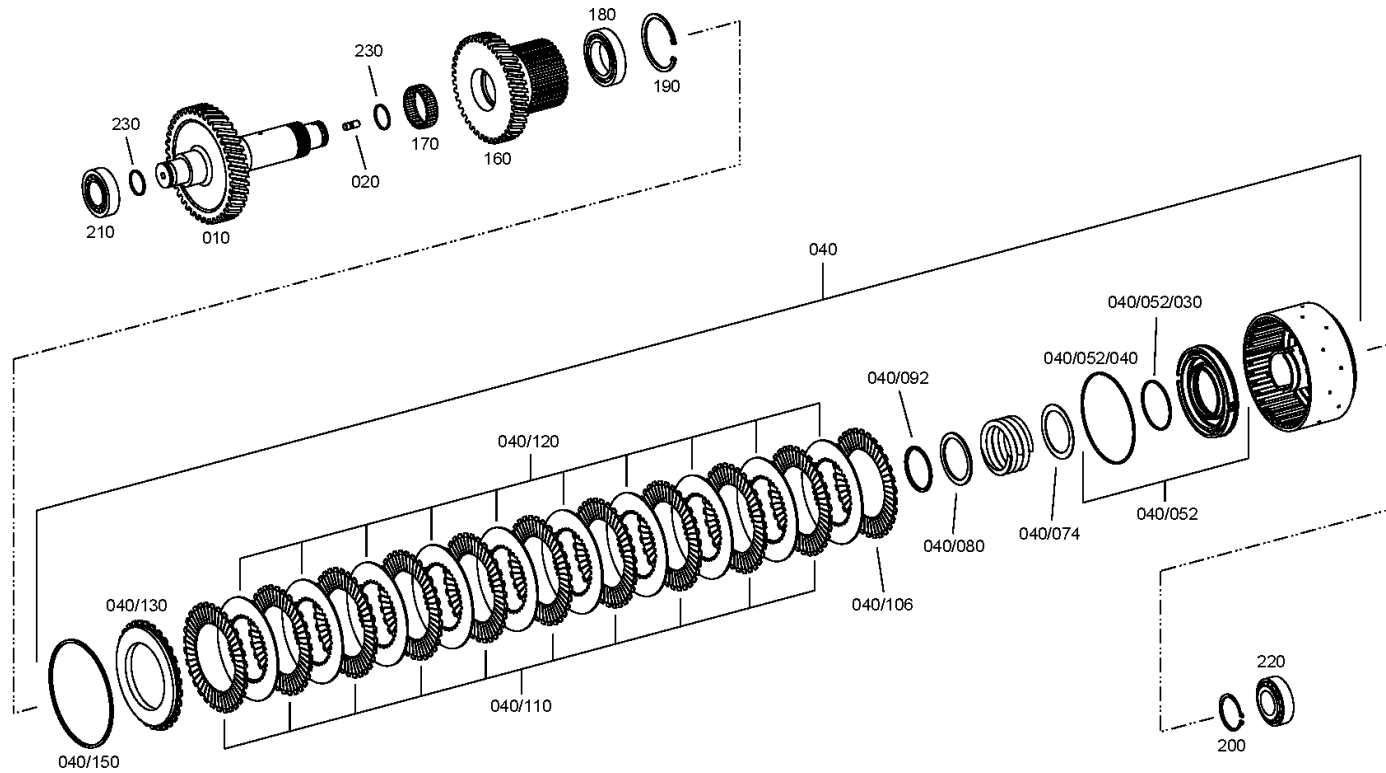
Material number: 4657.054.048

Plant: 465717501400

Material-assembly-group-no: 4657.175.014



4 WG 210 /  
COUPLING



# Plant

Page 1 from 1

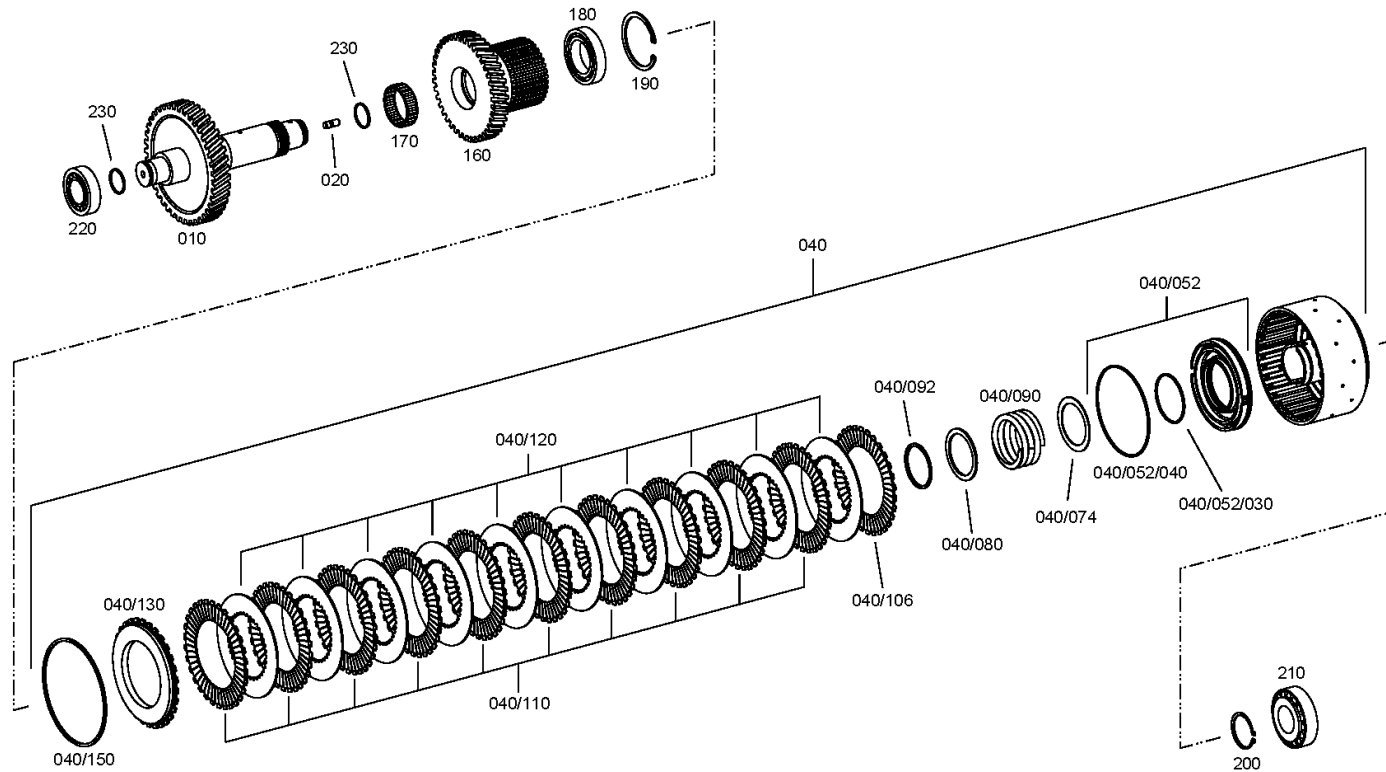
Material number: 4657.054.048

Plant: 465717601700

Material-assembly-group-no: 4657.176.017



4 WG 210 /  
COUPLING



# Plant

Page 1 from 2

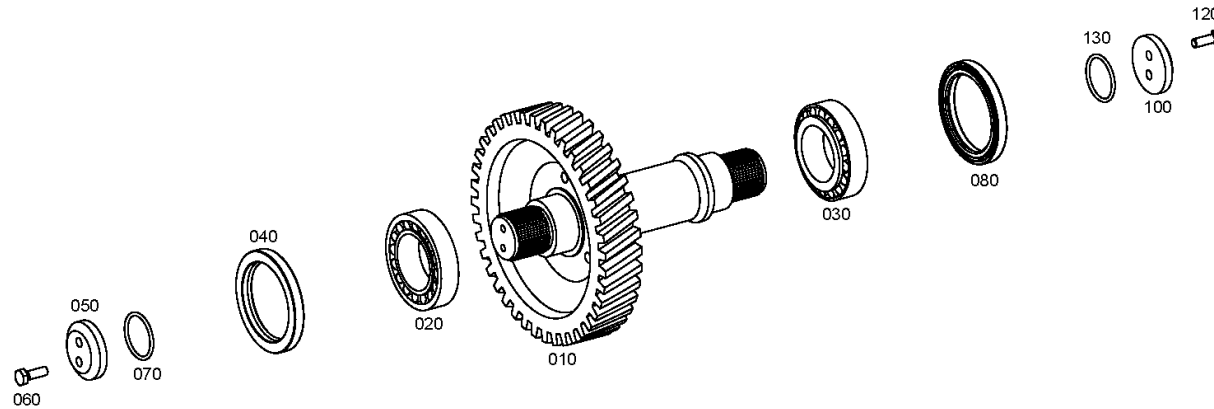
Material number: 4657.054.048

Plant: 465710300600

Material-assembly-group-no: 4657.103.006



4 WG 210 /  
OUTPUT



# Plant

Page 2 from 2

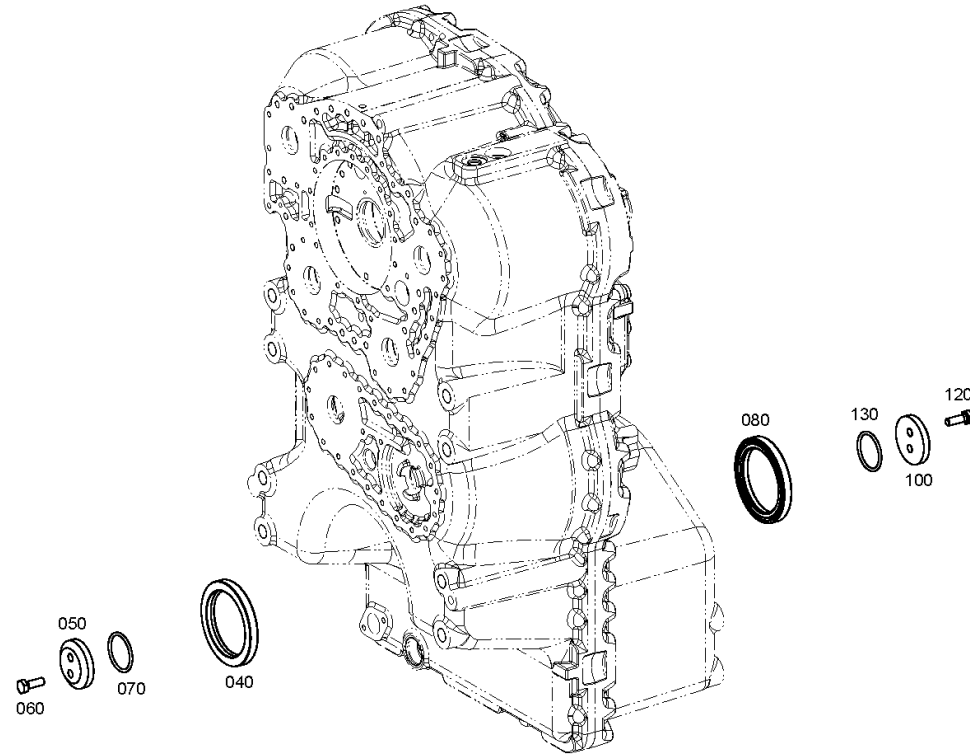
Material number: 4657.054.048

Plant: 465710300680

Material-assembly-group-no: 4657.103.006



4 WG 210 /  
OUTPUT



# Plant

Page 1 from 1

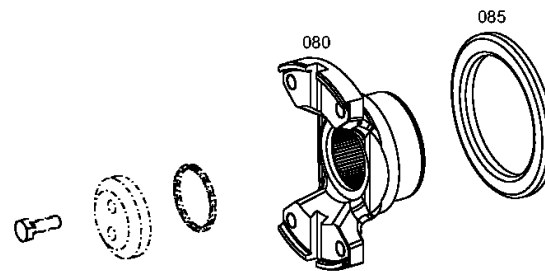
Material number: 4657.054.048

Plant: 465710341800

Material-assembly-group-no: 4657.103.418



4 WG 210 /  
OUTPUT





# Plant

Page 1 from 1

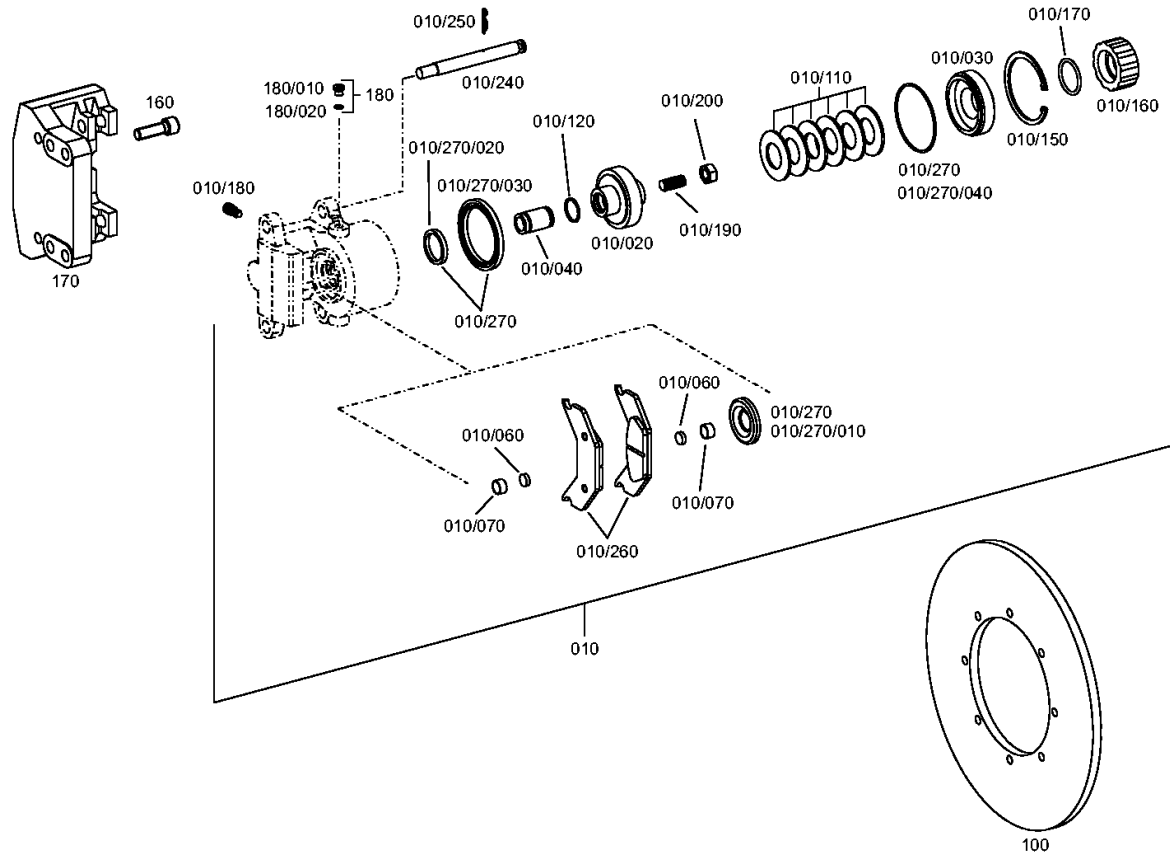
Material number: 4657.054.048

Plant: 465610900200

Material-assembly-group-no: 4656.109.002



4 WG 210 /  
PARKING BRAKE



# Plant

Page 1 from 1

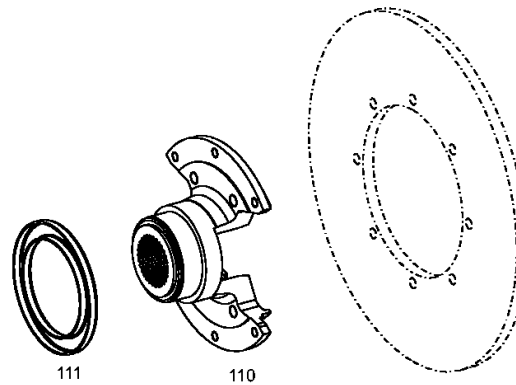
Material number: 4657.054.048

Plant: 465710940600

Material-assembly-group-no: 4657.109.406



4 WG 210 /  
PARKING BRAKE



# Plant

Page 1 from 1

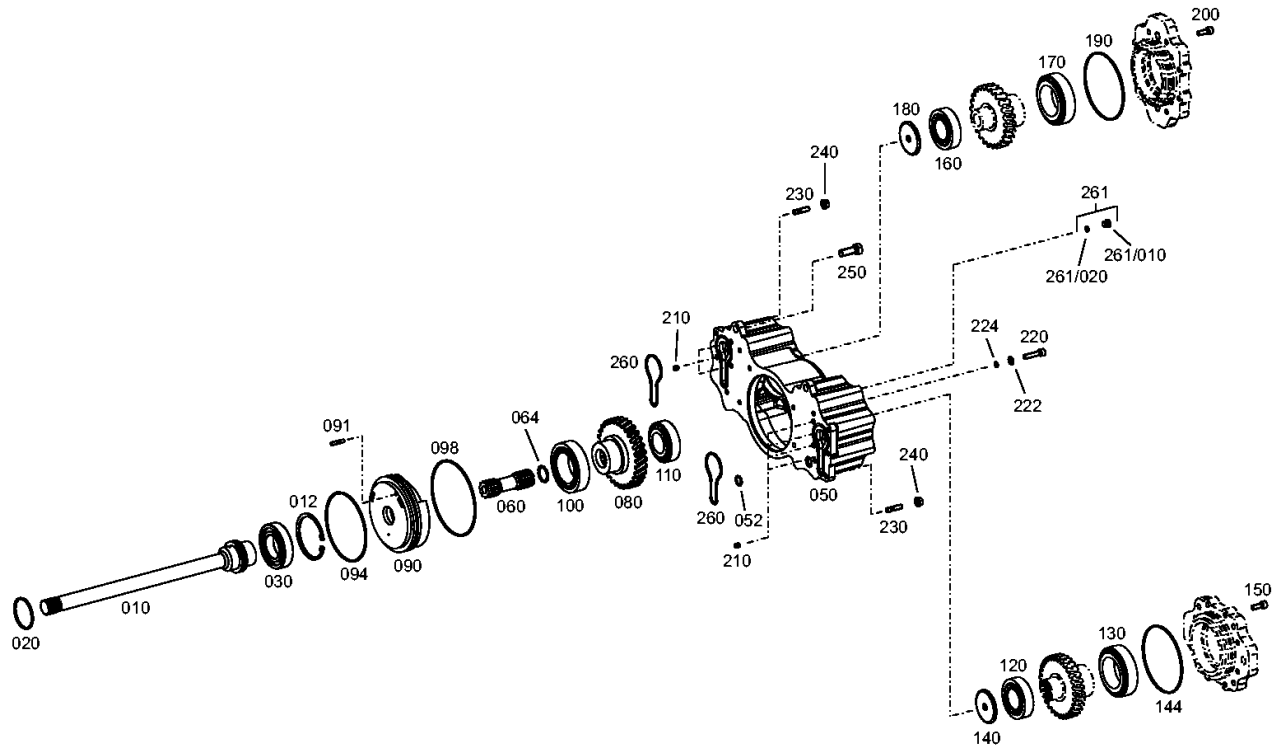
Material number: 4657.054.048

Plant: 465715500300

Material-assembly-group-no: 4657.155.003



4 WG 210 /  
POWER TAKE-OFF





# Plant

Page 1 from 1

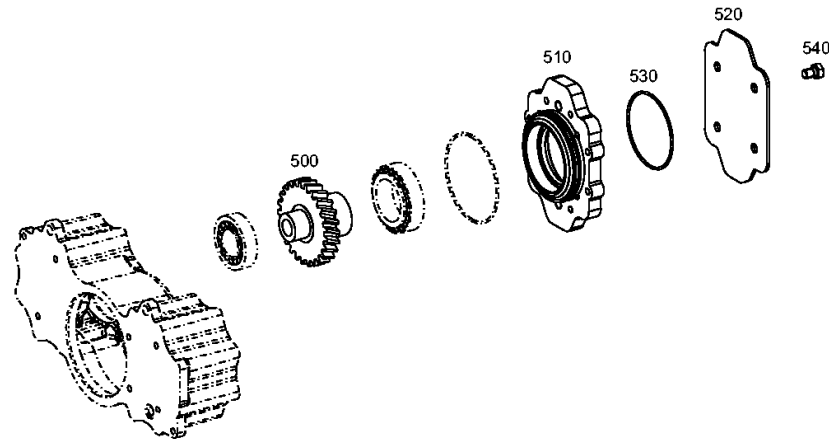
Material number: 4657.054.048

Plant: 465715540100

Material-assembly-group-no: 4657.155.401



4 WG 210 /  
POWER TAKE-OFF



# Plant

Page 1 from 2

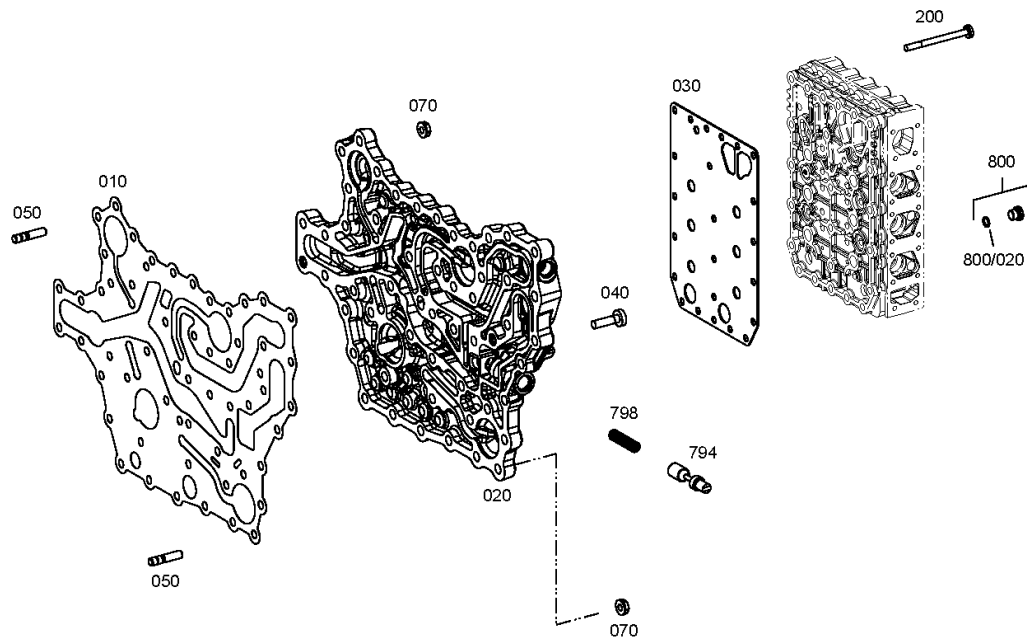
Material number: 4657.054.048

Plant: 465710601700

Material-assembly-group-no: 4657.106.017



4 WG 210 /  
SHIFT SYSTEM



# Plant

Page 2 from 2

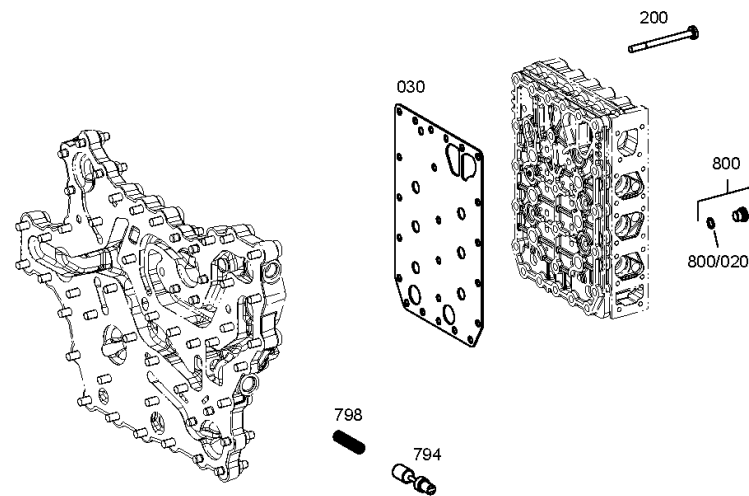
Material number: 4657.054.048

Plant: 465710601780

Material-assembly-group-no: 4657.106.017



4 WG 210 /  
SHIFT SYSTEM



# Plant

Page 1 from 1

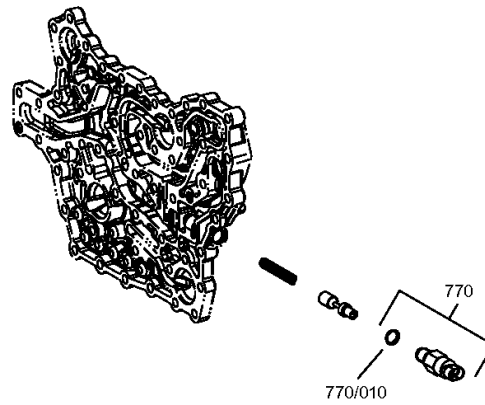
Material number: 4657.054.048

Plant: 465710640720

Material-assembly-group-no: 4657.106.407



4 WG 210 /  
SHIFT SYSTEM





# Plant

Page 1 from 2

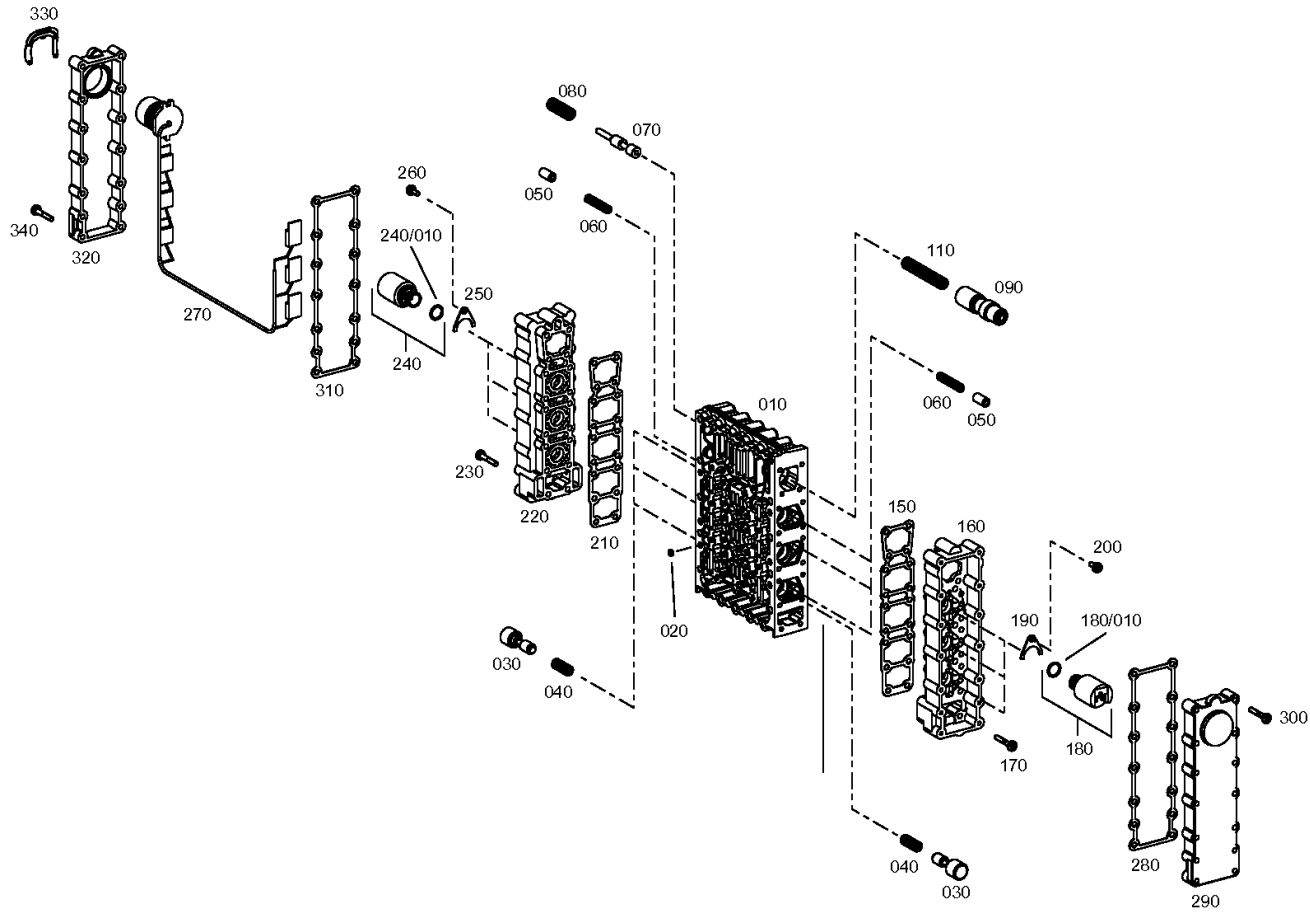
Material number: 4657.054.048

Plant: 465615901921

Material-assembly-group-no: 4656.159.019



4 WG 210 /  
SHIFT SYSTEM



# Plant

Page 2 from 2

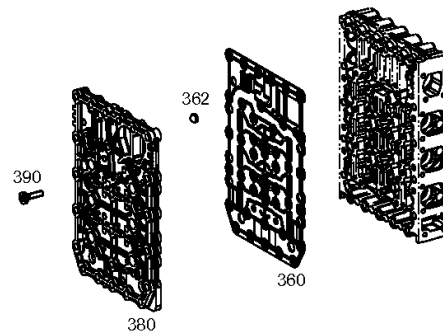
Material number: 4657.054.048

Plant: 465615901922

Material-assembly-group-no: 4656.159.019



4 WG 210 /  
SHIFT SYSTEM



# Plant

Page 1 from 1

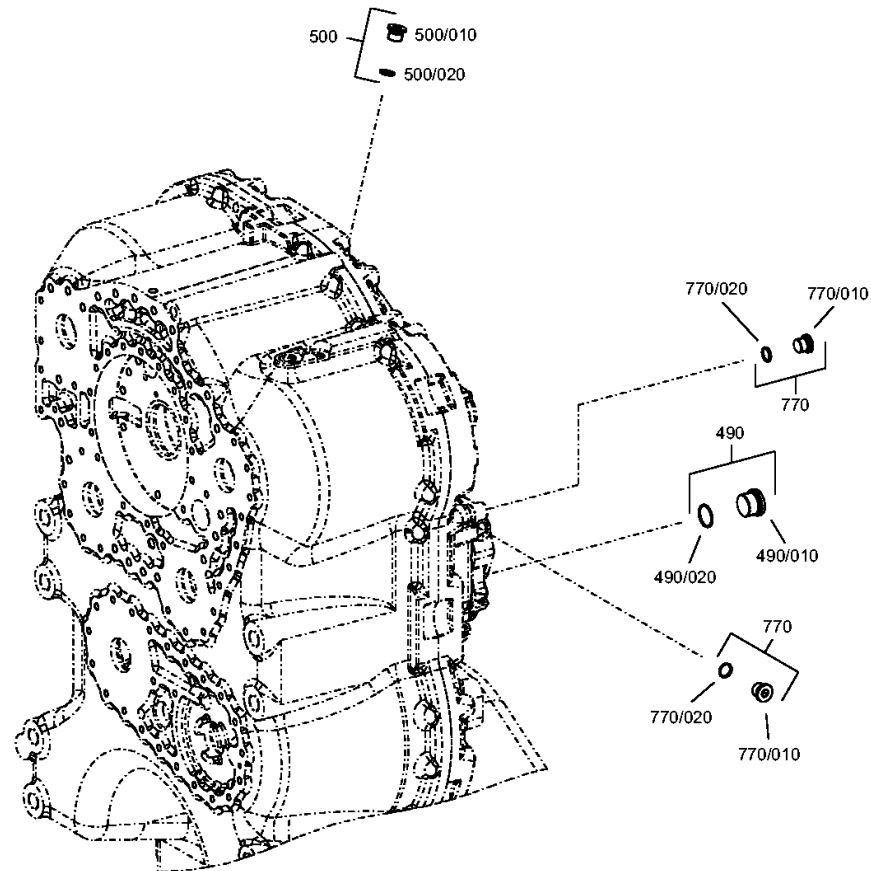
Material number: 4657.054.048

Plant: 465712300300

Material-assembly-group-no: 4657.123.003



4 WG 210 /  
CONTROL UNIT



# Plant

Page 1 from 1

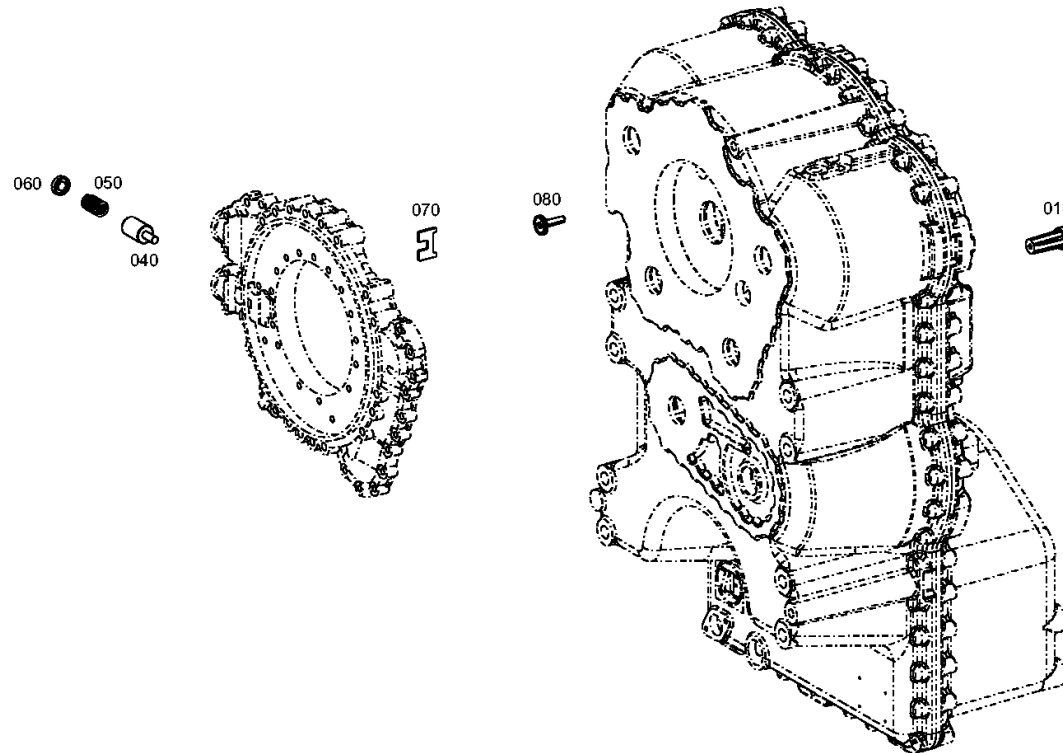
Material number: 4657.054.048

Plant: 465712000300

Material-assembly-group-no: 4657.120.003



4 WG 210 /  
PRESSURE REGULATOR



# Plant

Page 1 from 1

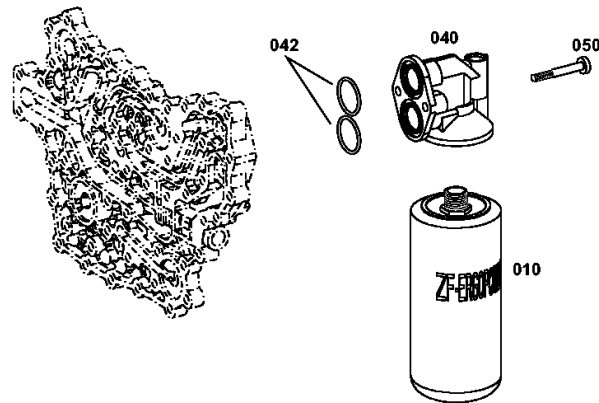
Material number: 4657.054.048

Plant: 465613800600

Material-assembly-group-no: 4656.138.006



4 WG 210 /  
FILTER



# Plant

Page 1 from 1

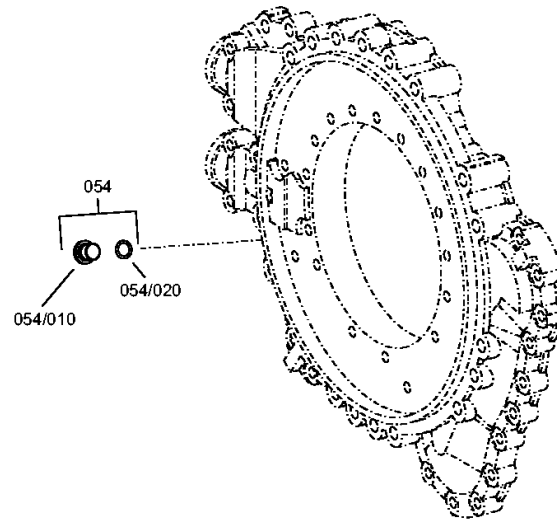
Material number: 4657.054.048

Plant: 465712400100

Material-assembly-group-no: 4657.124.001



4 WG 210 /  
TEMPERATURE SENSOR



# Plant

Page 1 from 1

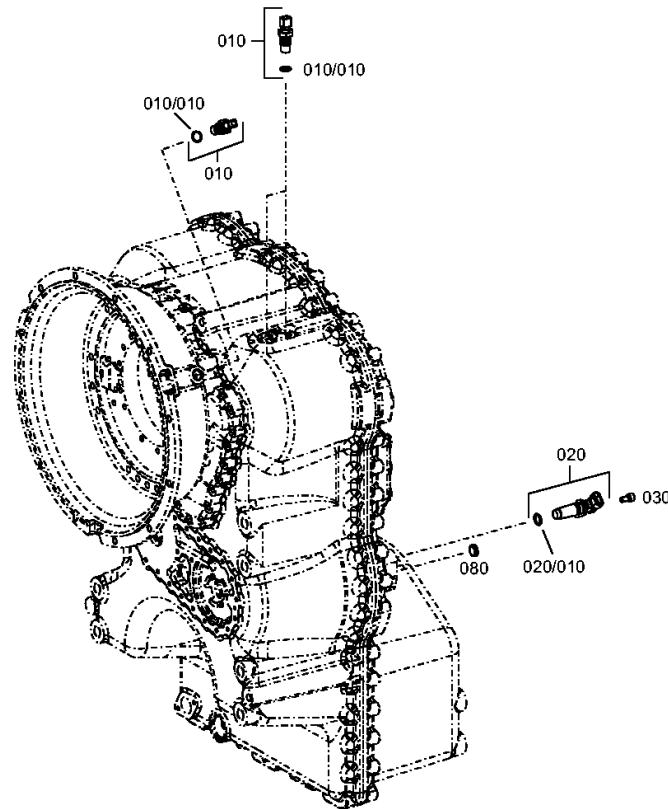
Material number: 4657.054.048

Plant: 465712500200

Material-assembly-group-no: 4657.125.002



4 WG 210 /  
INDUCTIVE SENSOR



# Plant

Page 1 from 1

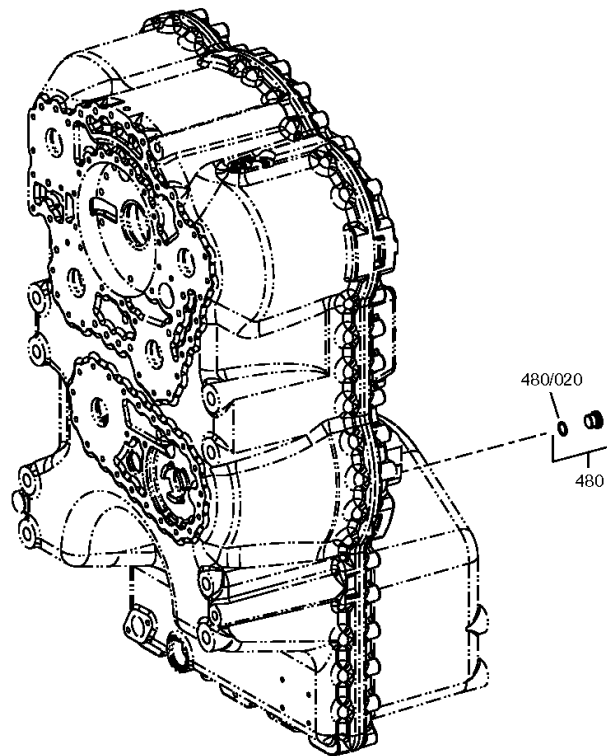
Material number: 4657.054.048

Plant: 465710700300

Material-assembly-group-no: 4657.107.003



4 WG 210 /  
SPEEDOMETER





# Plant

Page 1 from 1

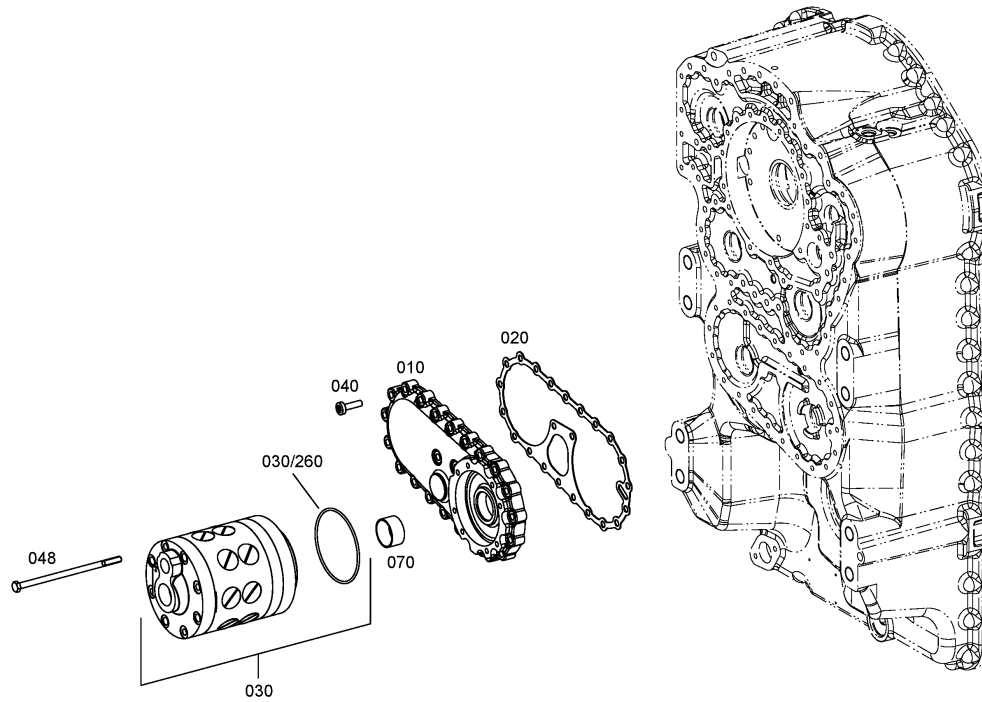
Material number: 4657.054.048

Plant: 465713700500

Material-assembly-group-no: 4657.137.005



4 WG 210 /  
EMERGENCY STEERING PUMP



# Plant

Page 1 from 1

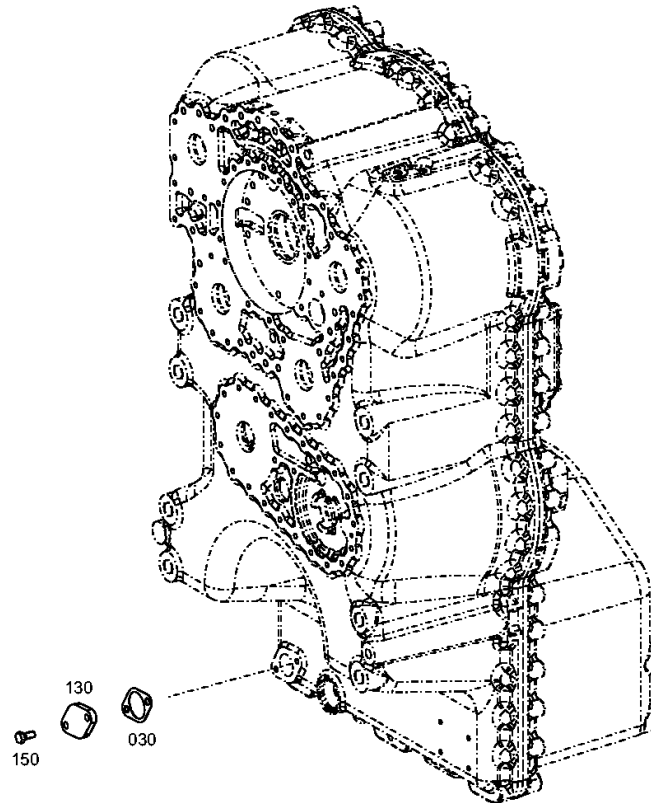
Material number: 4657.054.048

Plant: 465713100600

Material-assembly-group-no: 4657.131.006



4 WG 210 /  
FILLER NOZZLE



# Plant

Page 1 from 1

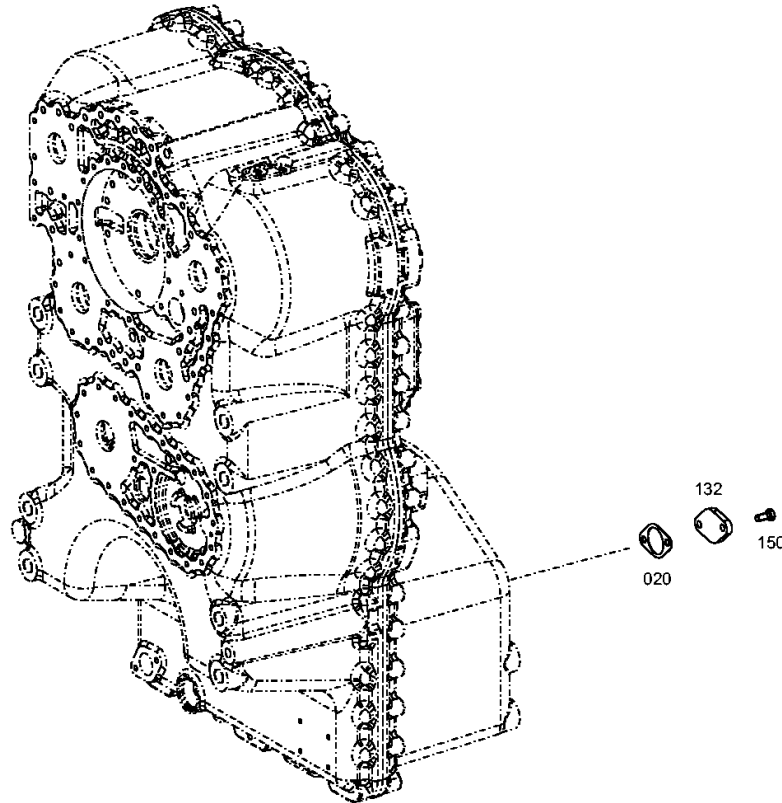
Material number: 4657.054.048

Plant: 465713140100

Material-assembly-group-no: 4657.131.401



4 WG 210 /  
FILLER NOZZLE



# Plant

Page 1 from 1

Material number: 4657.054.048

Plant: 465718305500

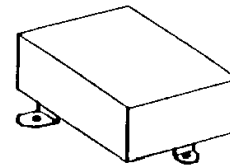
Material-assembly-group-no: 4657.183.055



4 WG 210 /  
LOOSE PARTS



050



160