



Spare Parts Catalog

4 WG 210

Material number: 4657.054.125

Current date: 24.05.2023

ZF Friedrichshafen AG
Hauptverwaltung
80038 Friedrichshafen
Deutschland

Telefon: +49 7541 77-0

Telefax: +49 7541 77-908000

www.zf.com

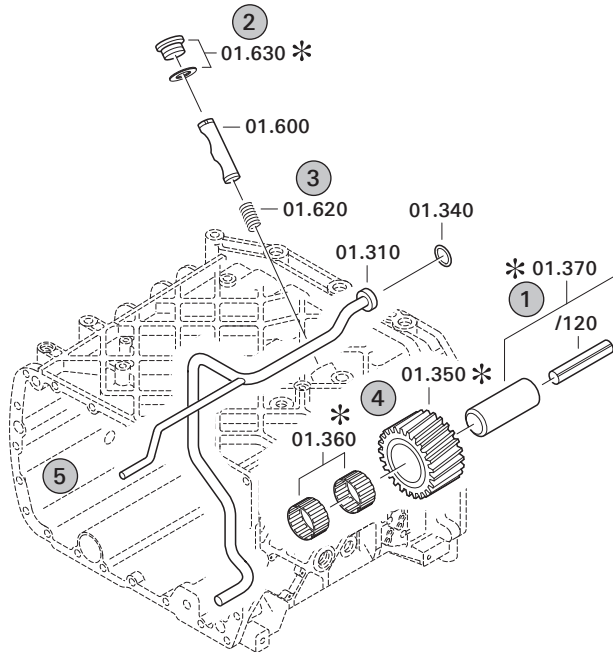
zuständiges Werk:
Passau

Notes relating to the spare parts catalog

Setup of the spare parts catalog

- Cover sheet
- Technical Cover (only in SDM print)
- Overview of figures
- Figure
- Associated parts list
- Next figure
- Associated parts list
- ...

Figure and parts list



Overview of figures

Bildtafel Figure	Sachnummer Product number	Benennung (Description)	Technische Info Technical info	Description (Benennung)	Menge Quantity	Einheit Unit
068.08.17	1316.170.001	AUSLEGER	WL	SHIFT TURRET	1	Stk
068.08.06	1316.170.031	DECKEL	WL*H-H *VM	COVER	1	Stk
068.08.14	1316.170.808	DECKEL	WL*AUSL+GEH*H-H*HF160N	COVER	1	Stk
08	1316.170.441	ANSCHLUSSTEILE	WL*NG-VORB*RG-SCHL*168N *BAJONETT	CONNECTING PARTS	1	Stk

The "gap" indicates that there is no separate graphics panel (poster) for this assembly
The parts of this assembly are shown with the same mid-section number on the figure

1 Positions and subpositions

Pos.	Sachnummer Product number	Benennung (Description)	Technische Info Technical info	Description (Benennung)	Menge Quantity	Einheit Unit
0370	1315.201.054	RUECKLAUFBOLZEN	KPL.16S151*SG*L= 79	REV.IDLER SHAFT	1	Stk
/0120	0631.329.293	SPANNSTIFT		SLOT. PIN	1	Stk

Positions marked with "/" are the individual items of a completion
For example: Position 0370 contains a centering pin with the position /0120

2 Combinations with standardized parts

Pos.	Sachnummer Product number	Benennung (Description)	Technische Info Technical info	Description (Benennung)	Menge Quantity	Einheit Unit
0630		VERSCHL.SCHR.		SCREW PLUG	1	Stk
	0636.302.067	VERSCHL.SCHR.		SCREW PLUG	1	Stk
	0634.801.249	DICHTRING	A 26 X 31	SEALING RING	1	Stk

The parts list shows the components included in the combination of standardized parts

3 Depiction of position/item number on the figure and in the parts list

01.620 - on the figure 01 relates to the assembly in which the position is included. Due to program-related reasons, it is shown on the figure.

0620 - in the parts list

Pos.	Sachnummer Product number	Benennung (Description)	Technische Info Technical info	Description (Benennung)	Menge Quantity	Einheit Unit
0620	0732.040.736	DRUCKFEDER		COMPRESSION SPRING	1	Stk

4 *-Positions

Positions marked with an * are optional i.e. inclusion in the parts list is not mandatory.
The following note is shown on the figure

je nach Stücklistenausführung
depending on spec. number
*
suivant la nomenclature
secondo la distinta base

5 Parts, dotted display

Parts with dotted display on the figure are only used for orientation of other parts

Technical Cover

Page 1 from 3

Material number: 4657.054.125



4 WG 210 /

Pos.	Information	Amendment number
	CUSTOMER: 000"TSCHTZ-URALTRAK"	
	1.PERFORMANCE CALC.: 4657 707 071	
	VEHICLE DESIGNATION: PK 65	
	WEIGHT EMPTY: 19,00 TO	
	ENGINE: MM3 238M2	
	ENGINE POWER: 177,5 KW	
	SPEED: 2.100 DRZ	
	INPUT TORQUE: 886 NM	
	SPEED: 1.400 DRZ	
	TYRE SIZE: 23,5-25	
	TYRE RADIUS DYN: 0,787 M	
	AXLE RATIO: 24,667	
	MAX. SPEED: 37,8 KM/H	
	PRODUCT DESCRIPTION: ZF-ERGOPOWER TRANSMISSION	
	TRANSMISSION TYPE 4 WG 210	
	DROP CENTER DISTANCE: 540 MM	
	VEHICLE: LOADER	
	1. GEAR FORWARD: 3,632	
	2. GEAR FORWARD: 2,184	
	3. GEAR FORWARD: 1,072	
	4. GEAR FORWARD: 0,636	
	1. GEAR REVERSE: 3,444	
	2. GEAR REVERSE: 2,071	
	3. GEAR REVERSE: 1,017	
	NUMBER OF PULSES ENGIN: 4	
	NUMBER OF PULSES TURB: 54	
	NUMBER OF PULSES MRK: 55	
	NUMBER OF PULSES OUTP.: 49	
	CONVERTER: W 340	
	CONVERTER PART NR: 034 H 110	
	LOCK-UP CLUTCH: WITHOUT	
	STALL TORQUE RATIO: 2,28	
	TORQUE CONVERTER ABSORP 186 NM	

Technical Cover

Page 2 from 3

Material number: 4657.054.125



4 WG 210 /

Pos.	Information	Amendment number
	STATOR FREEWHEEL: WITHOUT	
	ENGINE INPUT: REMOTE MOUNTED VIA JOINT SHAFT	
	INPUT FLANGE: MECH 6 C	
	OUTPUT: STANDARD	
	OUTPUT CONVERTER SIDE: WITHOUT AXLE DISCONNECT	
	OUTPUT FLANGE CONVERTER MECH 8,5 C	
	AXIAL DISPLACEABILITY: WITHOUT	
	OUTPUT PTO SIDE: WITH PARKING BRAKE	
	DISC BRAKE: MECHANICAL M90	
	OUTPUT FLANGE PTO SIDE: MECH 8,5 C	
	PTO - DISCONNECTION: WITHOUT	
	1.PTO FLANGE: SAE C 2/4 HOLE	
	DRIVER / PROFILE: SAE C 12/24 DP 14 T	
	GEAR CHANGE CONTROL: ZF-ERGOSHIFT/ PROP VALVE	
	VOLTAGE: 24 VOLT	
	SPEED CONTROL: CONNECTION VIA EST	
	OIL LEVEL TUBE: MOUNTED ON CONVERTER SIDE	
	OIL DIPSTICK: SHORT STRAIGHT	
	FILTER INSTALLATION: DIRECT MOUNTED	
	PRES. DROP SWITCH: CLOSING SWITCH	
	EMERGENCY STEERING PUMP WITHOUT	
	OIL TEMPERATURE SENSOR: WITH (WITHOUT GAUGE)	
	GEARBOX BREATHER: WITH	
	ELECTRIC PARTS ORDER: INCLUDED IN SCOPE OF SUPPLY	
	SEPERATE ORDER: WITHOUT	
	GROUP LOOSE PARTS: 4657 183 207	
	CONTROL UNIT: EST 37A	
	GEAR SELECTOR: DW 3	
	2ND GEAR SELECTOR: WITHOUT	
	DISPLAY: FOR SEPERATE MOUNTING	
	LOAD SENSOR: WITHOUT	
	WIRING: WITH	
	OIL CAPACITY: CA. 27 LITRE	



Pos.	Information	Amendment number
	GEARBOX OIL FILLING: WITHOUT	
	OEL-CLASS: OIL SPECIFICATION TE ML 03	
	PRIMER PAINT: YELLOW RAL 1006	
	DOCUMENTATION GEAR BOX: -----	
	SECTION DRAWING: 4657 500 092	
	INSTALLATION DRAWING: 4657 654 125	
	GEARBOX DIAGRAM: 4657 700 034	
	OIL CIRCUIT DIAGRAMM: 4657 700 143	
	INSTAL. INSTRUCTIONS: 0000 702 271	
	DRAWING 6009 665 002	
	DRAWING GEAR SEL. 1: 6006 630 033	
	CONNECTION DIAGRAMM: 6006 700 564	
	WIRING DIAGRAMM: 6029 701 785	
	CONNECTION DIAGRAMM: 6029 701 786	
	DRAWING DISPLAY: 6007 603 047	

Assembly group overview

Page 1 from 2

Material number: 4657.054.125



4 WG 210 /

Picture	Pos.	Material number	Name	Quantity	Amend. no.	Techn. Info.
465713004500	270	4657.130.045	ENGINE CONNECTION	1		
465713040100	280	4657.130.401	ENGINE CONNECTION	1		
416603411400	500	4166.034.114	CONVERTER	1		
465710202600	30	4657.102.026	INPUT	1		
465710105101	10	4657.101.051	TRANSMISSION HOUSING	1		
465710140800	20	4657.101.408	TRANSMISSION HOUSING	1		
465717102700	350	4657.171.027	COUPLING	1		
465717202300	360	4657.172.023	COUPLING	1		
465717301700	370	4657.173.017	COUPLING	1		
465717403700	380	4657.174.037	COUPLING	1		
465717501400	390	4657.175.014	COUPLING	1		
465717601700	400	4657.176.017	COUPLING	1		
465710300600	50	4657.103.006	OUTPUT	1		
465710341800	60	4657.103.418	OUTPUT	1		
465610900300	170	4656.109.003	PARKING BRAKE	1		
465710941700	70	4657.109.417	PARKING BRAKE	1		

Assembly group overview

Page 2 from 2



4 WG 210 /

Material number: 4657.054.125

Picture	Pos.	Material number	Name	Quantity	Amend. no.	Techn. Info.
465715400400	340	4657.154.004	POWER TAKE-OFF	1		
465710601700	110	4657.106.017	SHIFT SYSTEM	1		
465710640720	115	4657.106.407	SHIFT SYSTEM	1		
465615901921	120	4656.159.019	SHIFT SYSTEM	1		
465712300600	225	4657.123.006	CONTROL UNIT	1		
465612000300	190	4656.120.003	PRESSURE REGULATOR	1		
465712200500	220	4657.122.005	PRESSURE OIL PUMP	1		
465613700400	310	4656.137.004	EMERGENCY STEERING PUMP	1		
465712500700	250	4657.125.007	INDUCTIVE SENSOR	1		
465712400300	240	4657.124.003	TEMPERATURE SENSOR	1		
465613801800	330	4656.138.018	FILTER	1		
465713100400	290	4657.131.004	FILLER NOZZLE	1		
465718320700	490	4657.183.207	LOOSE PARTS	1		

Picture

Page 1 from 1

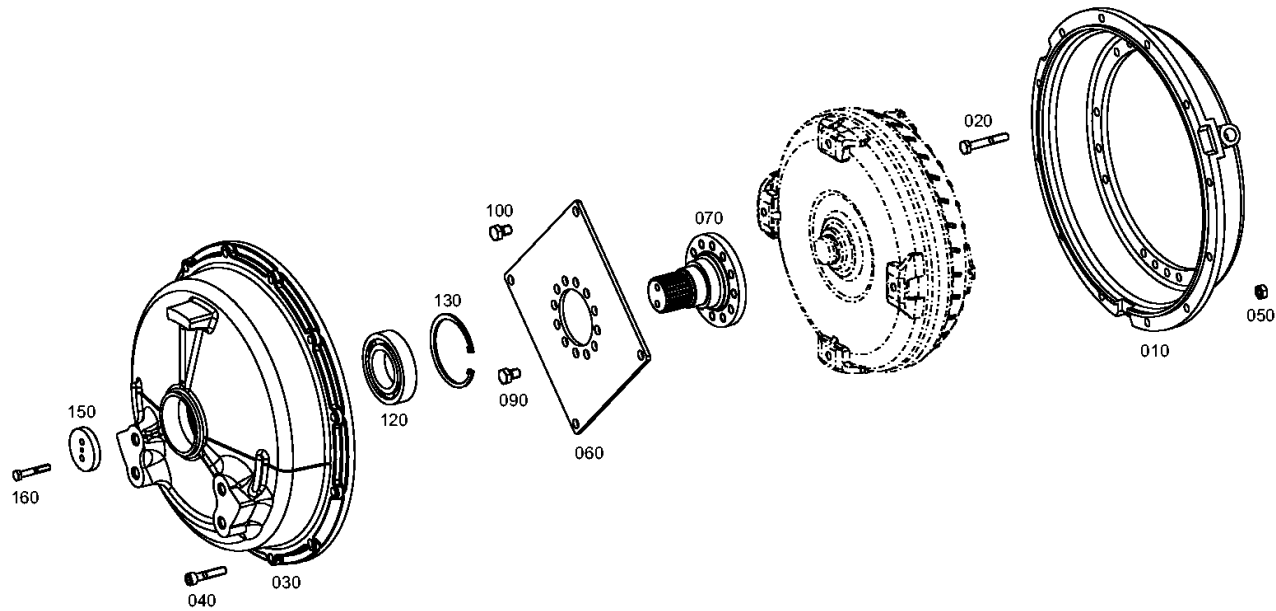
Material number: 4657.054.125

Picture: 465713004500

Material-assembly-group-no: 4657.130.045



4 WG 210 /
ENGINE CONNECTION



Picture

Page 1 from 1

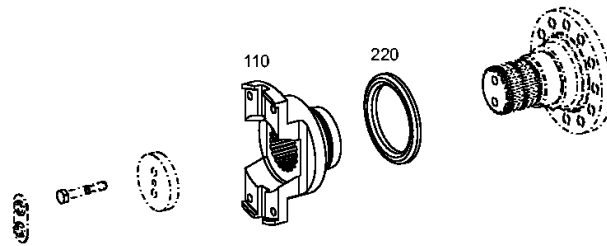
Material number: 4657.054.125

Picture: 465713040100

Material-assembly-group-no: 4657.130.401



4 WG 210 /
ENGINE CONNECTION



Picture

Page 1 from 1

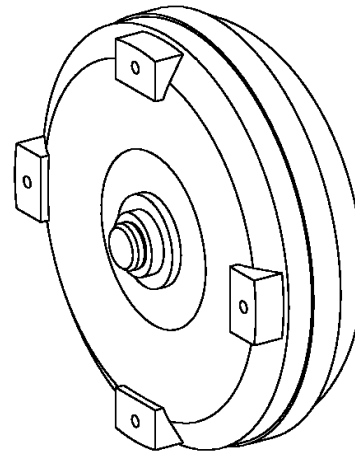
Material number: 4657.054.125

Picture: 416603411400

Material-assembly-group-no: 4166.034.114



4 WG 210 /
CONVERTER



010

Picture

Page 1 from 1

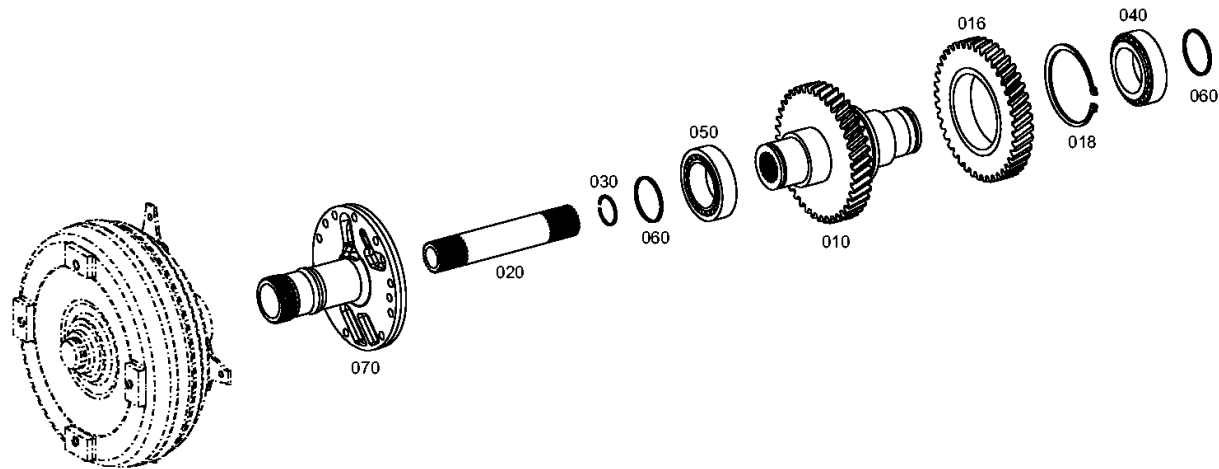
Material number: 4657.054.125

Picture: 465710202600

Material-assembly-group-no: 4657.102.026



4 WG 210 /
INPUT



Picture

Page 1 from 2

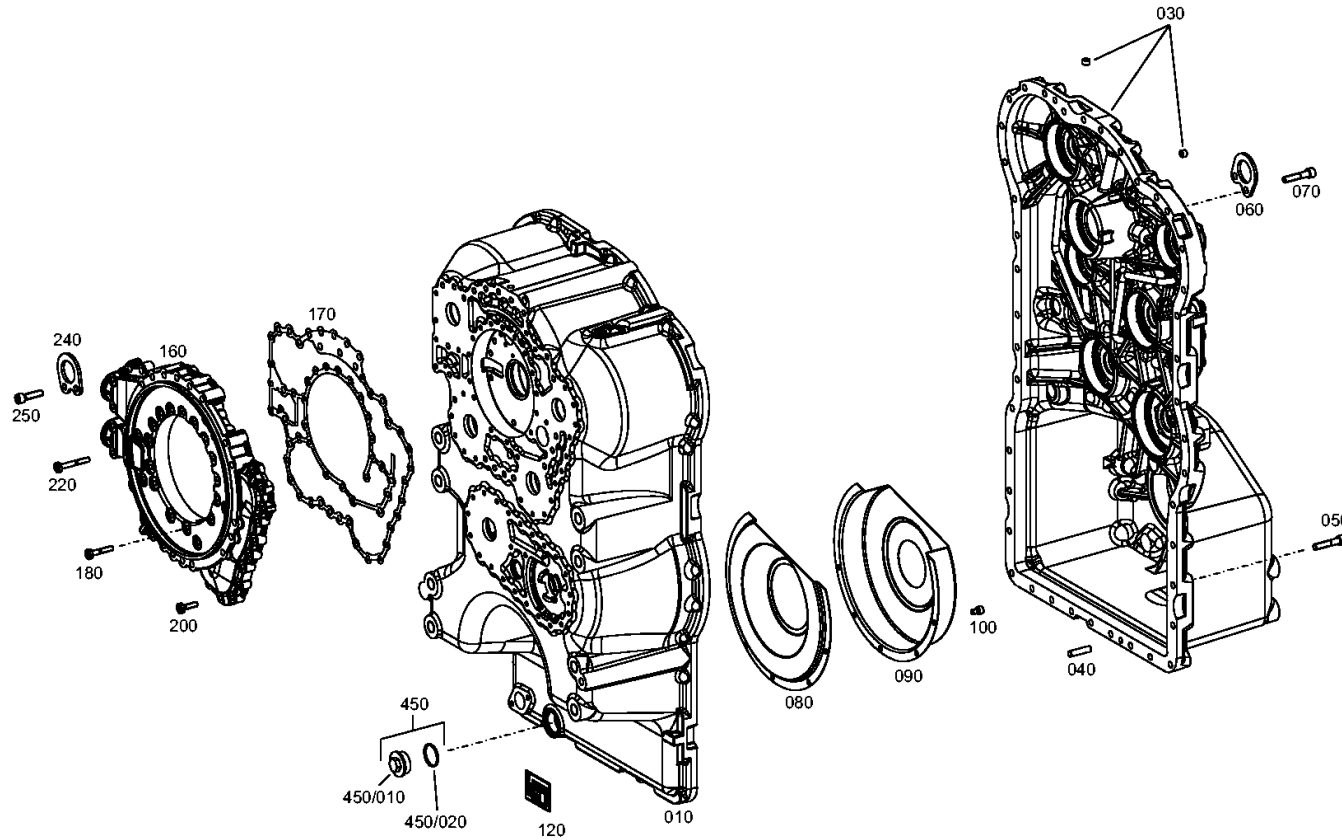
Material number: 4657.054.125

Picture: 465710105101

Material-assembly-group-no: 4657.101.051



4 WG 210 /
TRANSMISSION HOUSING



Picture

Page 2 from 2

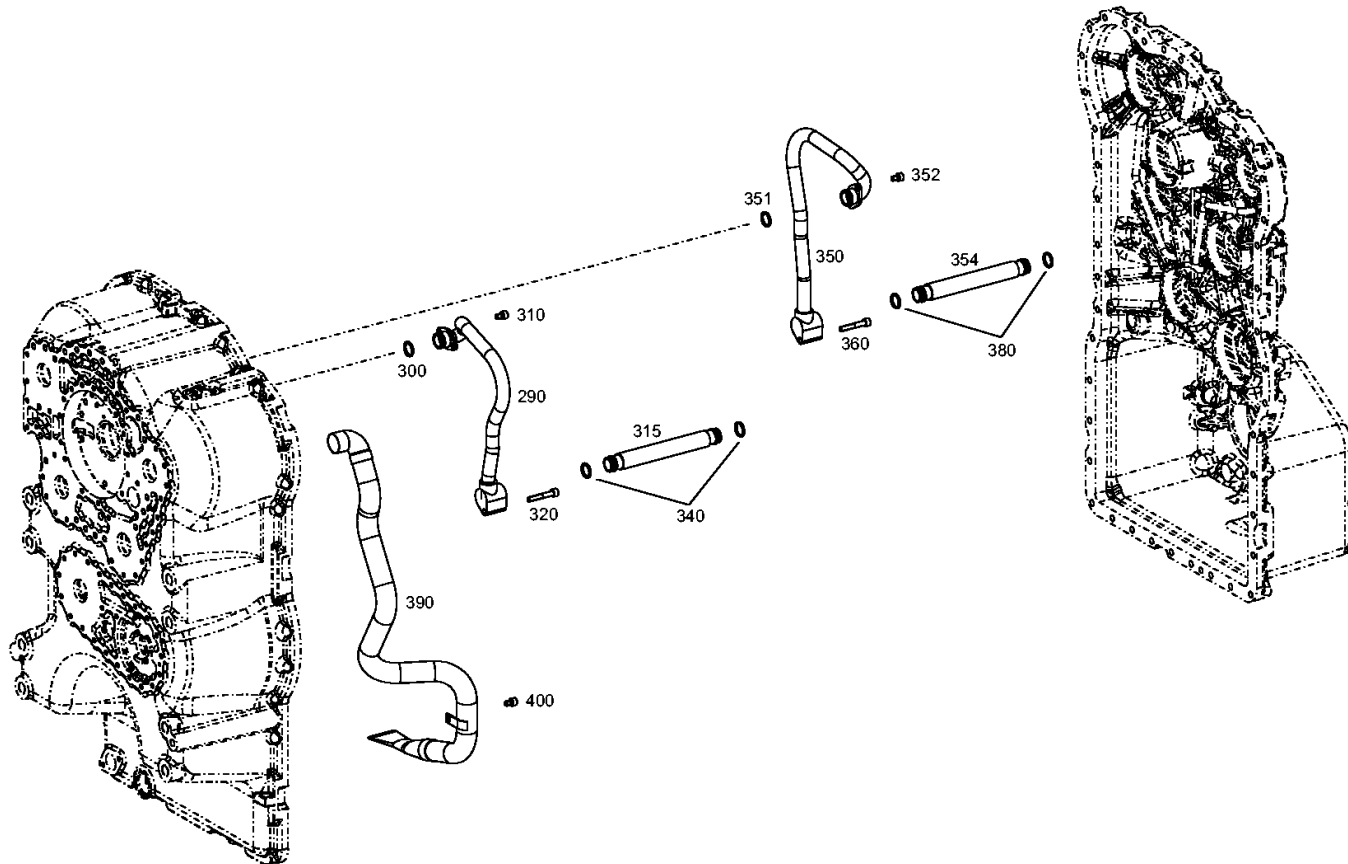
Material number: 4657.054.125

Picture: 465710105102

Material-assembly-group-no: 4657.101.051



4 WG 210 /
TRANSMISSION HOUSING



Picture

Page 1 from 1

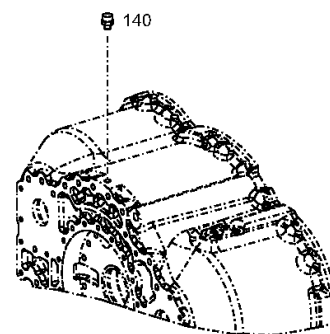
Material number: 4657.054.125

Picture: 465710140800

Material-assembly-group-no: 4657.101.408



4 WG 210 /
TRANSMISSION HOUSING



Picture

Page 1 from 1

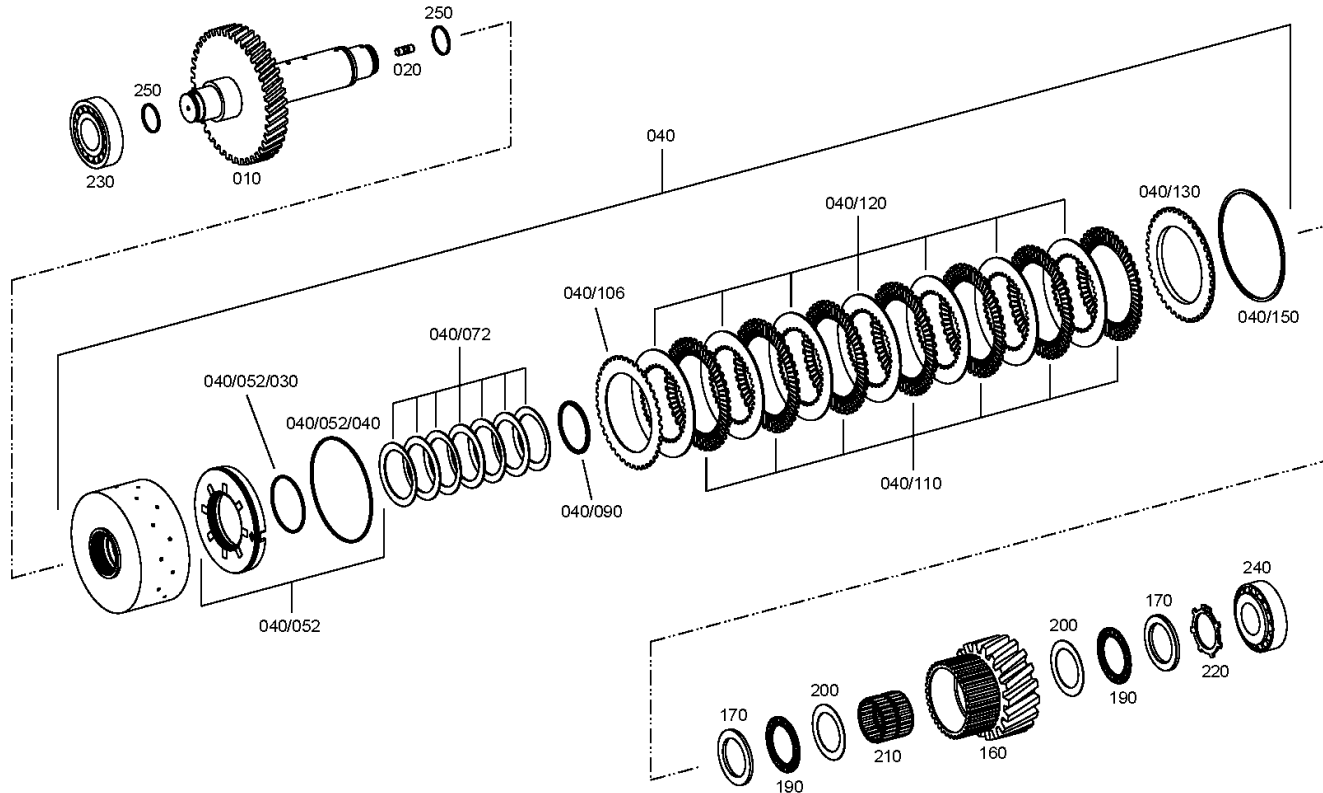
Material number: 4657.054.125

Picture: 465717202300

Material-assembly-group-no: 4657.172.023



4 WG 210 /
COUPLING



Picture

Page 1 from 1

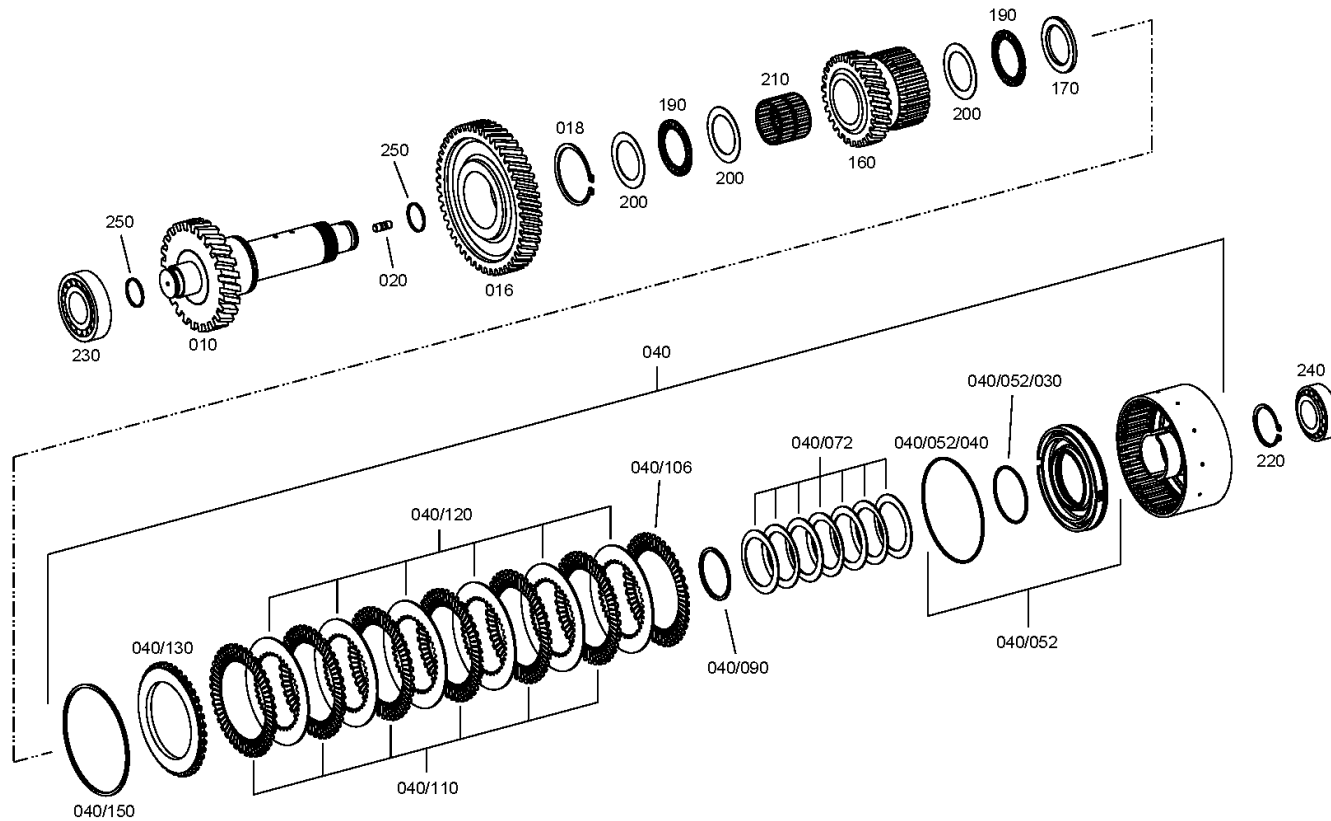
Material number: 4657.054.125

Picture: 465717403700

Material-assembly-group-no: 4657.174.037



4 WG 210 /
COUPLING



Picture

Page 1 from 1

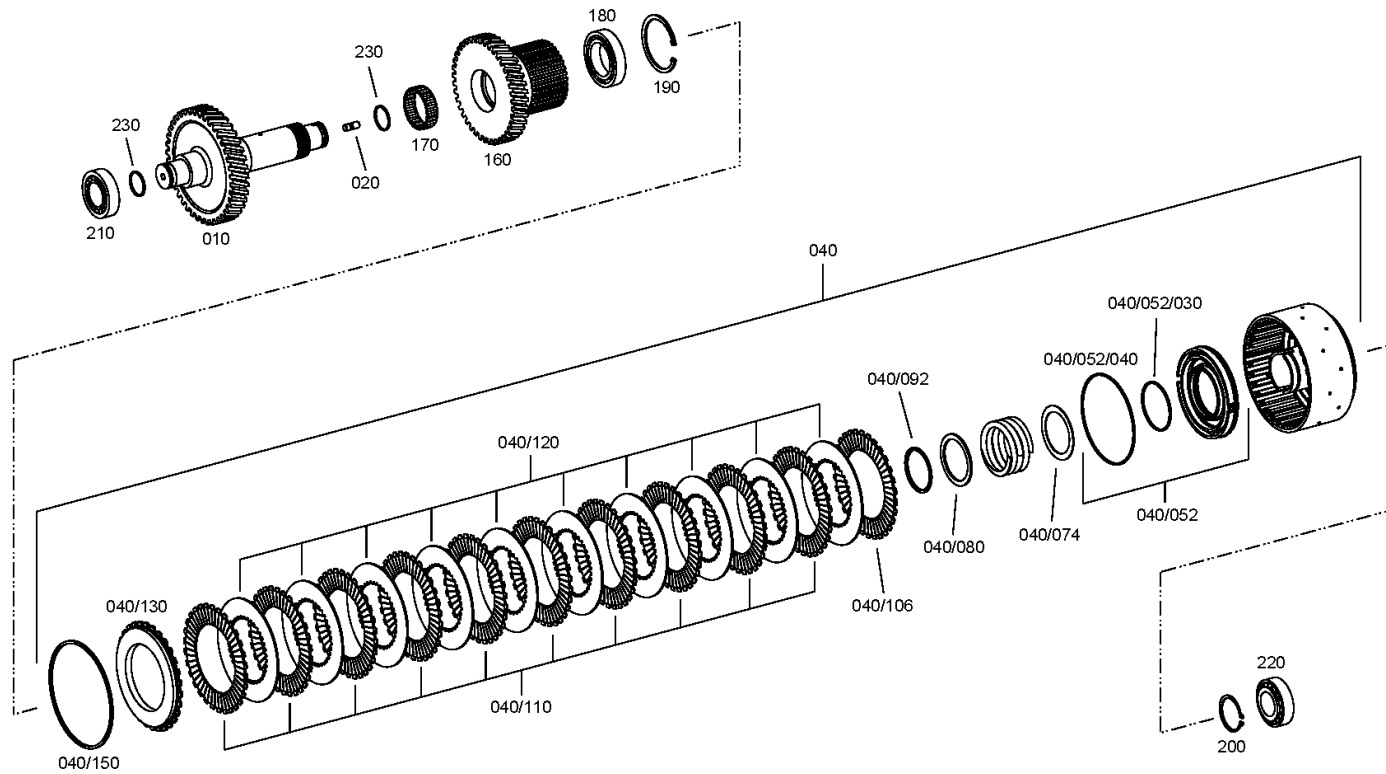
Material number: 4657.054.125

Picture: 465717501400

Material-assembly-group-no: 4657.175.014



4 WG 210 /
COUPLING



Picture

Page 1 from 1

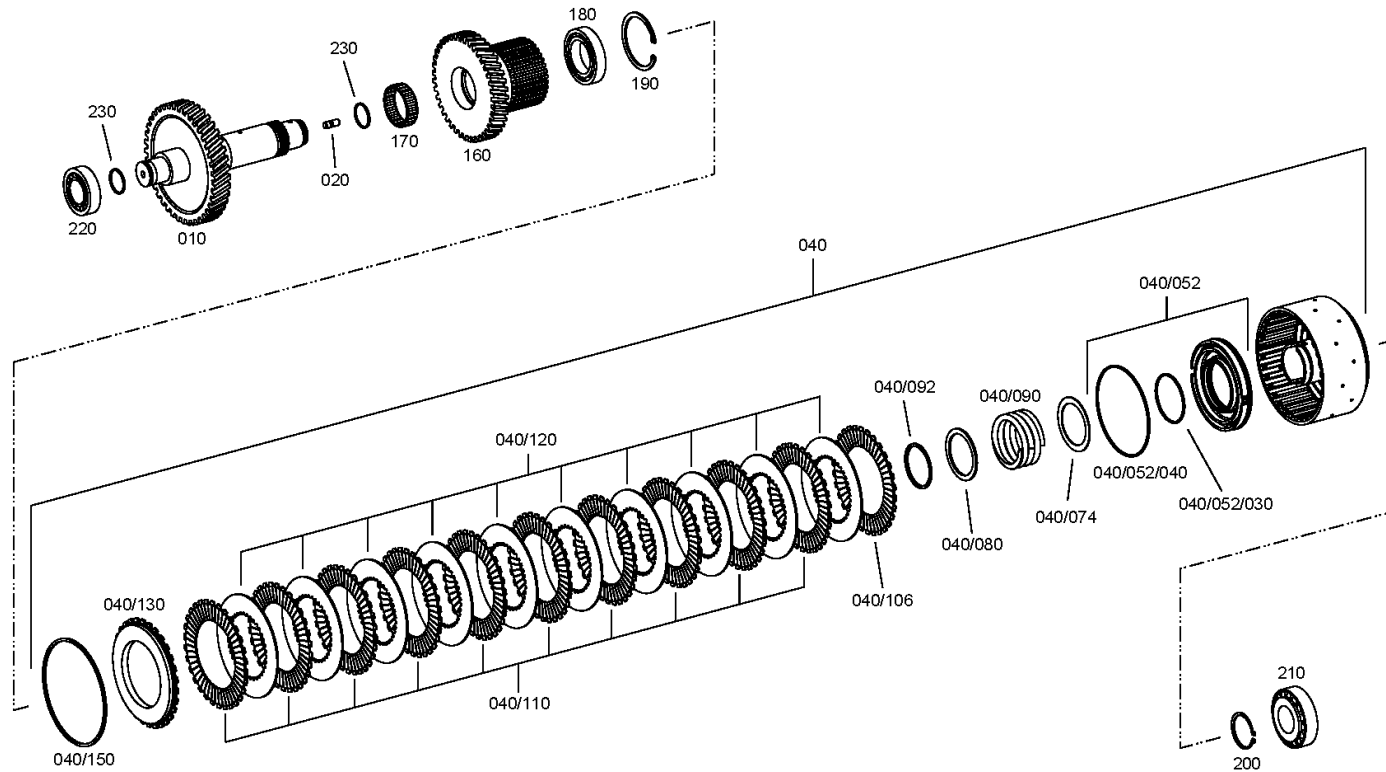
Material number: 4657.054.125

Picture: 465717601700

Material-assembly-group-no: 4657.176.017



4 WG 210 /
COUPLING



Picture

Page 1 from 2

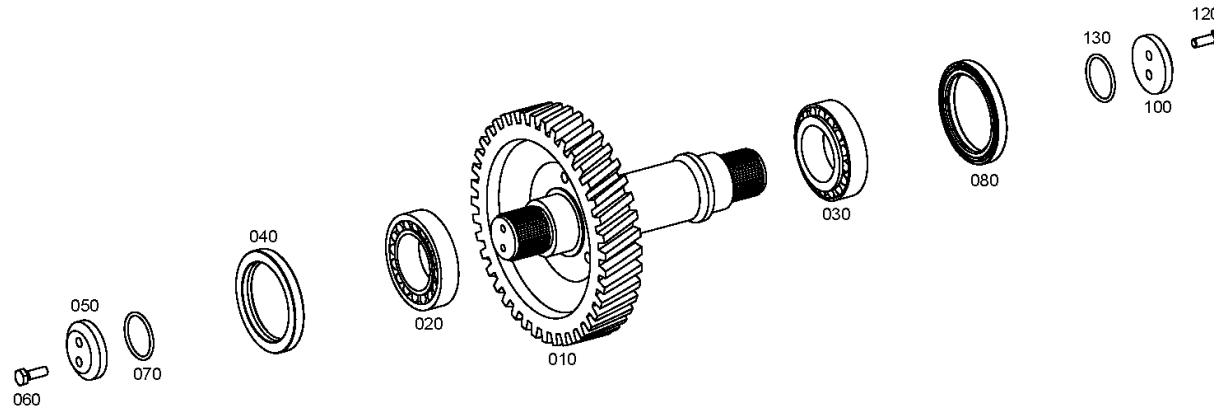
Material number: 4657.054.125

Picture: 465710300600

Material-assembly-group-no: 4657.103.006



4 WG 210 /
OUTPUT



Picture

Page 2 from 2

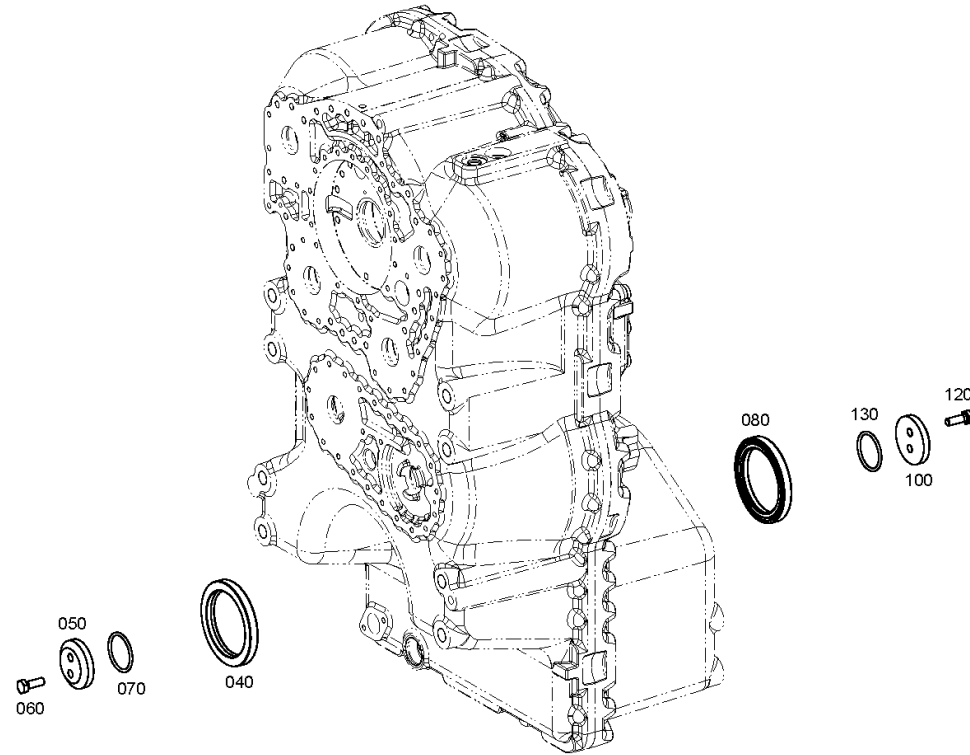
Material number: 4657.054.125

Picture: 465710300680

Material-assembly-group-no: 4657.103.006



4 WG 210 /
OUTPUT



Picture

Page 1 from 1

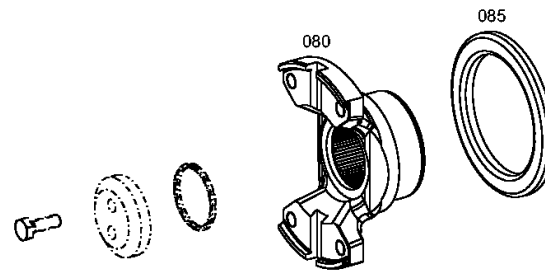
Material number: 4657.054.125

Picture: 465710341800

Material-assembly-group-no: 4657.103.418



4 WG 210 /
OUTPUT



Picture

Page 1 from 1

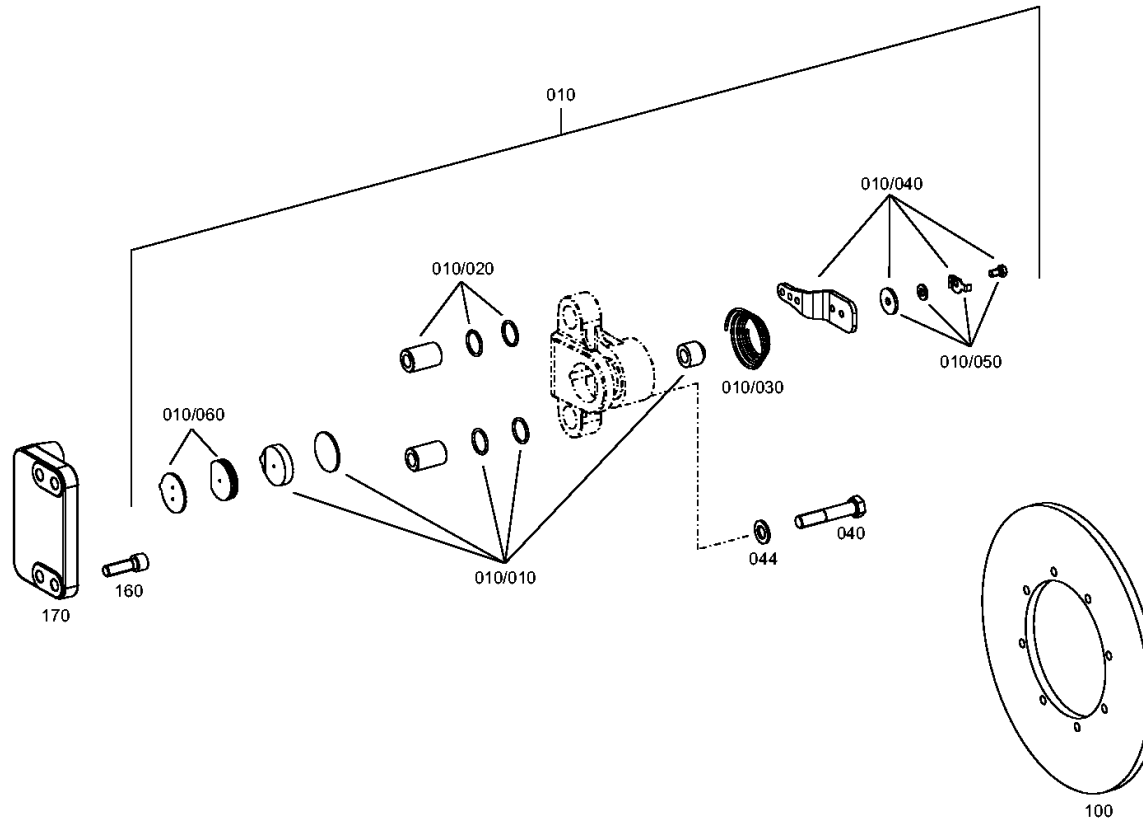
Material number: 4657.054.125

Picture: 465610900300

Material-assembly-group-no: 4656.109.003



4 WG 210 /
PARKING BRAKE



Picture

Page 1 from 1

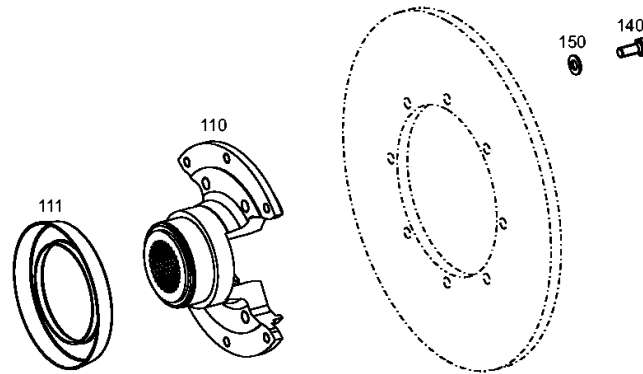
Material number: 4657.054.125

Picture: 465710941700

Material-assembly-group-no: 4657.109.417



4 WG 210 /
PARKING BRAKE



Picture

Page 1 from 1

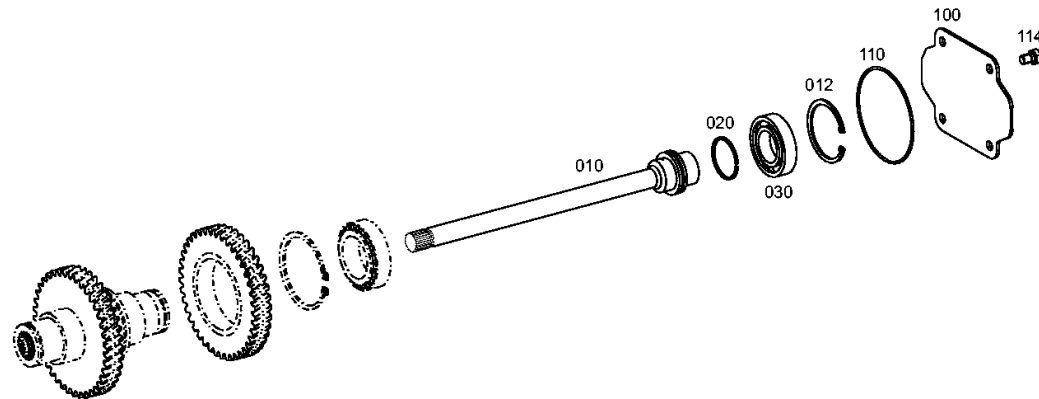
Material number: 4657.054.125

Picture: 465715400400

Material-assembly-group-no: 4657.154.004



4 WG 210 /
POWER TAKE-OFF



Picture

Page 1 from 2

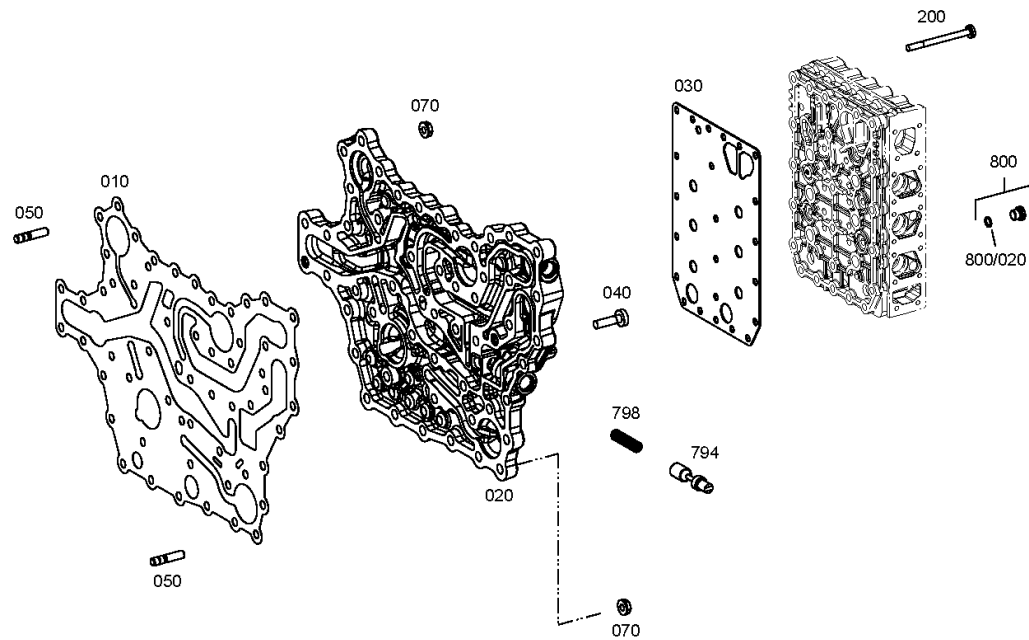
Material number: 4657.054.125

Picture: 465710601700

Material-assembly-group-no: 4657.106.017



4 WG 210 /
SHIFT SYSTEM



Picture

Page 2 from 2

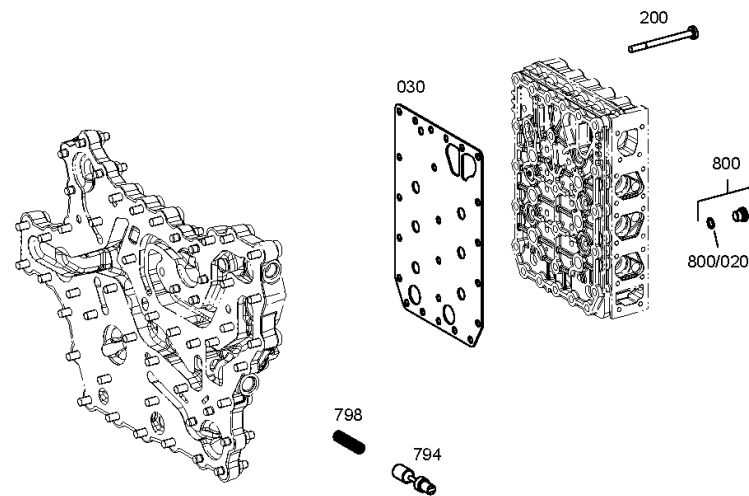
Material number: 4657.054.125

Picture: 465710601780

Material-assembly-group-no: 4657.106.017



4 WG 210 /
SHIFT SYSTEM



Picture

Page 1 from 1

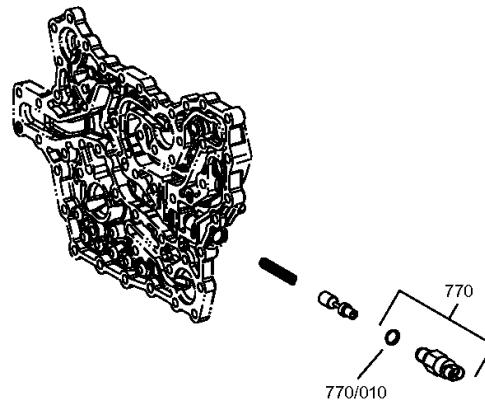
Material number: 4657.054.125

Picture: 465710640720

Material-assembly-group-no: 4657.106.407



4 WG 210 /
SHIFT SYSTEM



Picture

Page 1 from 2

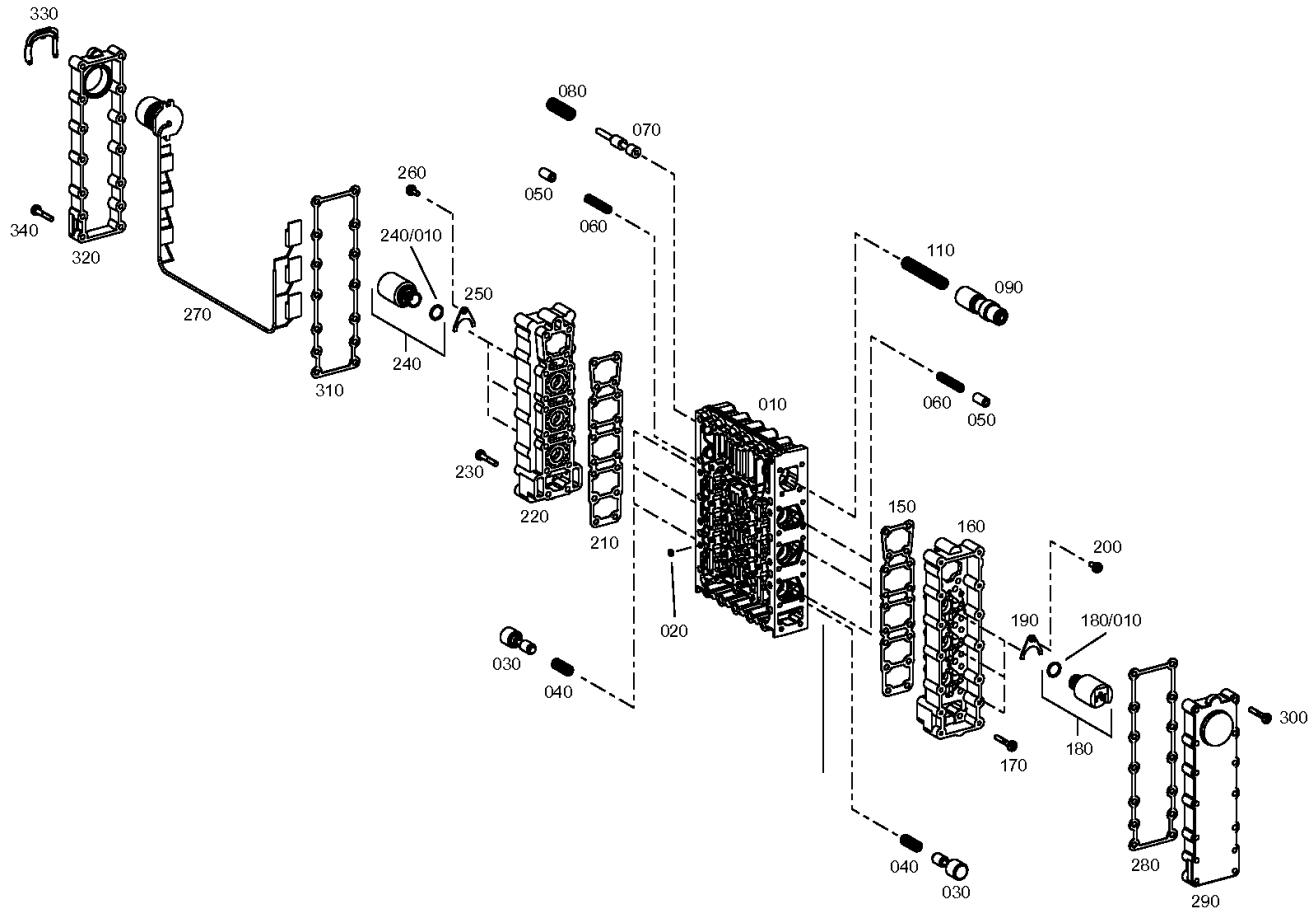
Material number: 4657.054.125

Picture: 465615901921

Material-assembly-group-no: 4656.159.019



4 WG 210 /
SHIFT SYSTEM



Picture

Page 2 from 2

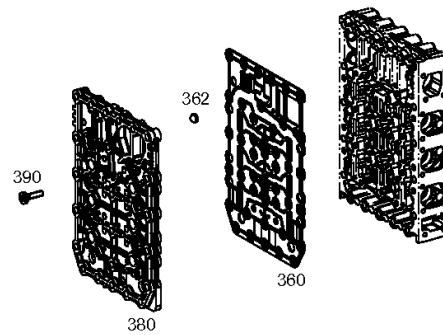
Material number: 4657.054.125

Picture: 465615901922

Material-assembly-group-no: 4656.159.019



4 WG 210 /
SHIFT SYSTEM



Picture

Page 1 from 1

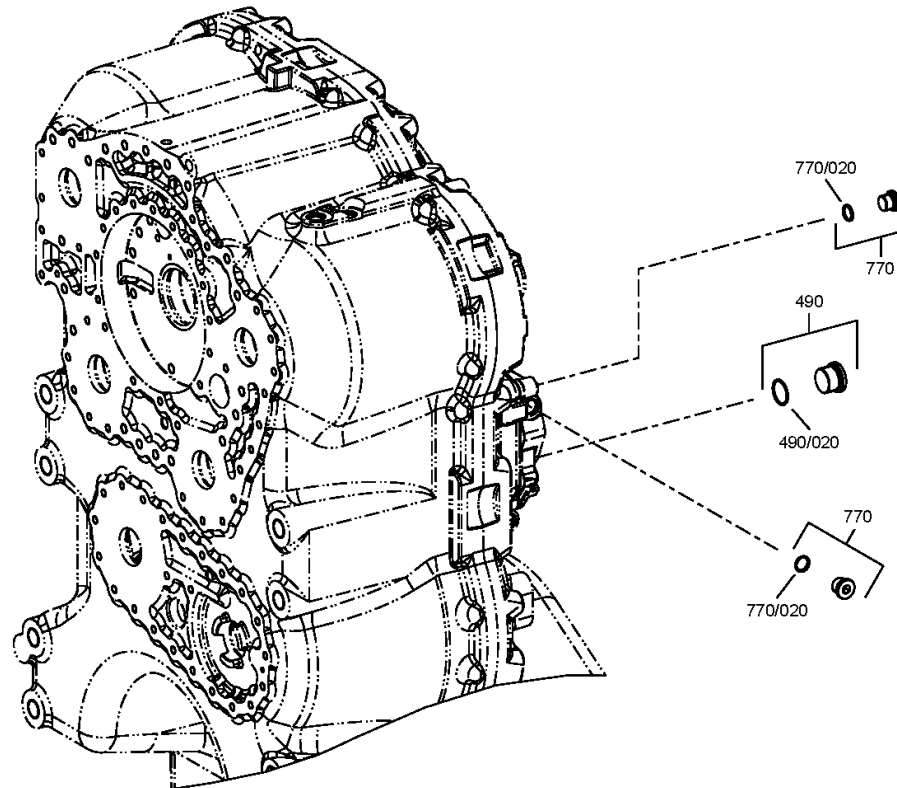
Material number: 4657.054.125

Picture: 465712300600

Material-assembly-group-no: 4657.123.006



4 WG 210 /
CONTROL UNIT



Picture

Page 1 from 1

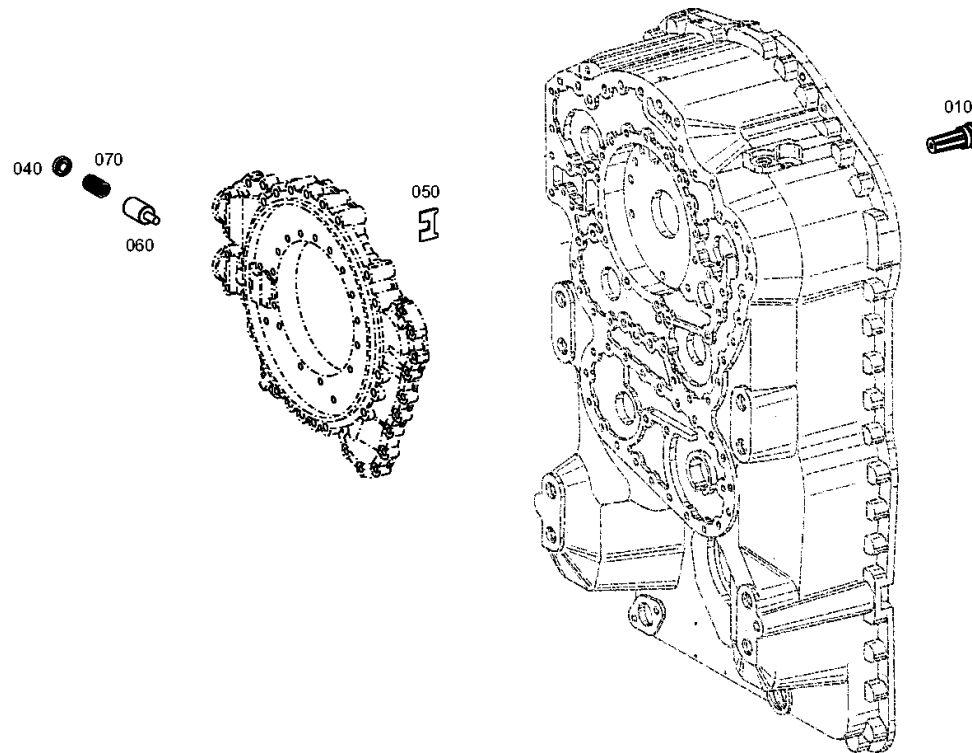
Material number: 4657.054.125

Picture: 465612000300

Material-assembly-group-no: 4656.120.003



4 WG 210 /
PRESSURE REGULATOR



Picture

Page 1 from 1

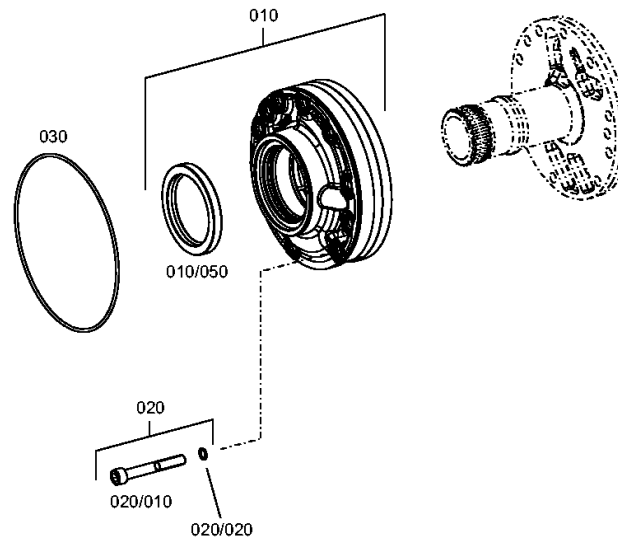
Material number: 4657.054.125

Picture: 465712200500

Material-assembly-group-no: 4657.122.005



4 WG 210 /
PRESSURE OIL PUMP



Picture

Page 1 from 1

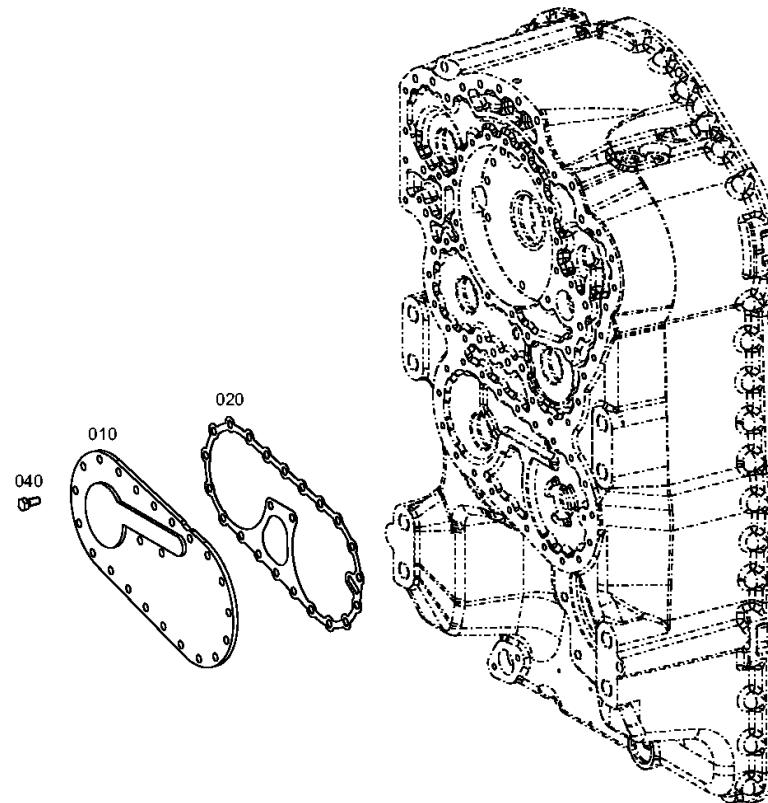
Material number: 4657.054.125

Picture: 465613700400

Material-assembly-group-no: 4656.137.004



4 WG 210 /
EMERGENCY STEERING PUMP



Picture

Page 1 from 1

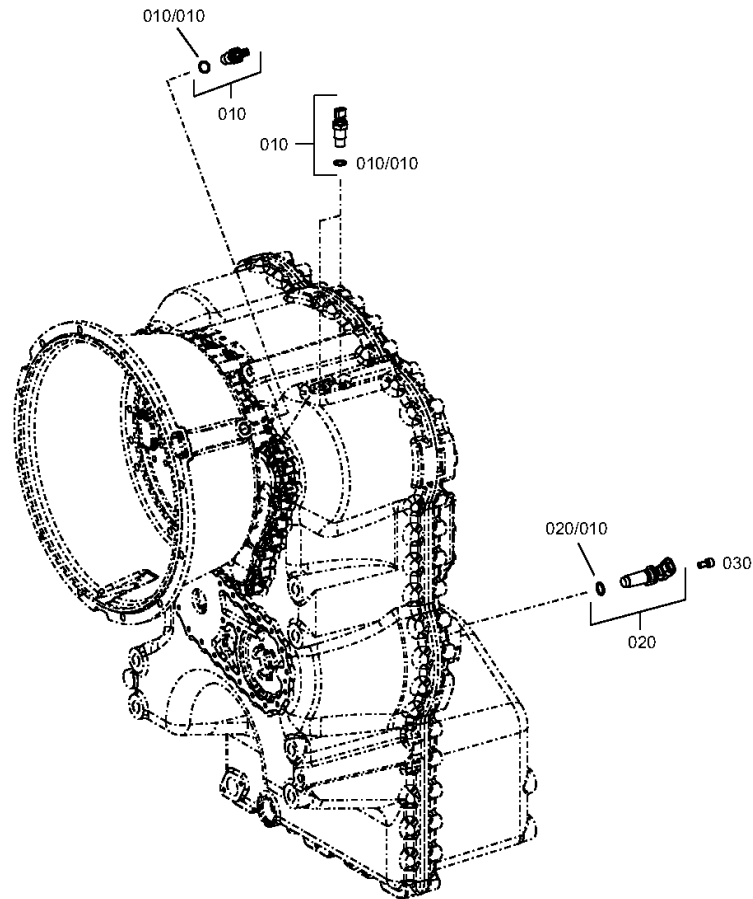
Material number: 4657.054.125

Picture: 465712500700

Material-assembly-group-no: 4657.125.007



4 WG 210 /
INDUCTIVE SENSOR



Picture

Page 1 from 1

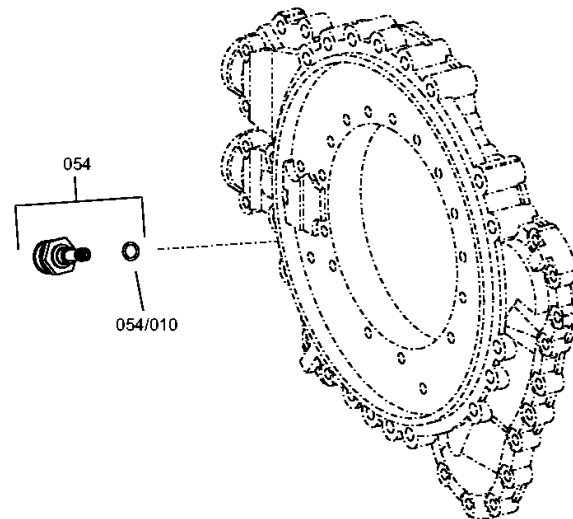
Material number: 4657.054.125

Picture: 465712400300

Material-assembly-group-no: 4657.124.003



4 WG 210 /
TEMPERATURE SENSOR



Picture

Page 1 from 1

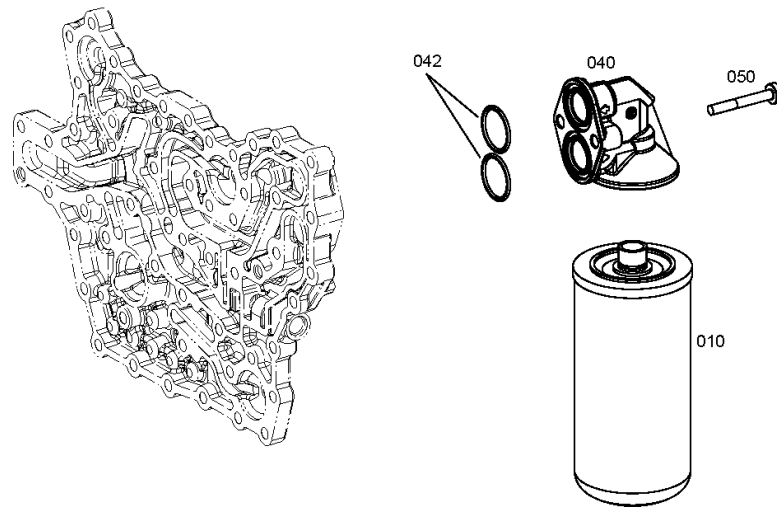
Material number: 4657.054.125

Picture: 465613801800

Material-assembly-group-no: 4656.138.018



4 WG 210 /
FILTER



Picture

Page 1 from 1

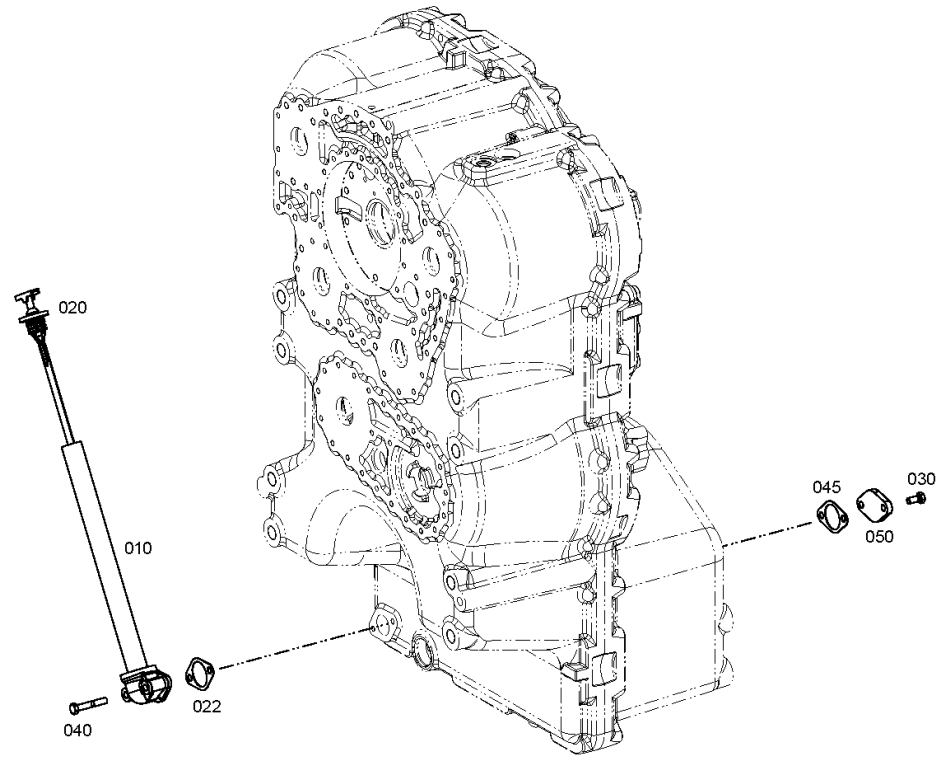
Material number: 4657.054.125

Picture: 465713100400

Material-assembly-group-no: 4657.131.004



4 WG 210 /
FILLER NOZZLE



Picture

Page 1 from 1

Material number: 4657.054.125

Picture: 465718320700

Material-assembly-group-no: 4657.183.207



4 WG 210 /
LOOSE PARTS

