



Spare Parts Catalog

5 WG 210

Material number: 4657.055.131

Current date: 21.06.2017

ZF Friedrichshafen AG
Hauptverwaltung
80038 Friedrichshafen
Deutschland

Telefon: +49 7541 77-0

Telefax: +49 7541 77-908000

www.zf.com

zuständiges Werk:
Passau

Notes relating to the spare parts catalog

Setup of the spare parts catalog

- Cover sheet
- Technical Cover (only in SDM print)
- Overview of figures
- Figure
- Associated parts list
- Next figure
- Associated parts list
- ...

Figure and parts list



Overview of figures

Bildtafel Figure	Sachnummer Product number	Benennung (Description)	Technische Info Technical info	Description (Benennung)	Menge Quantity	Einheit Unit
068.08.17	1316.170.001	AUSLEGER	WL	SHIFT TURRET	1	Stk
068.08.06	1316.170.031	DECKEL	WL*H-H *VM	COVER	1	Stk
068.08.14	1316.170.808	DECKEL	WL*AUSL+GEH*H-H*HF160N	COVER	1	Stk
08	1316.170.441	ANSCHLUSSTEILE	WL*NG-VORB*RG-SCHL*168N *BAJONETT	CONNECTING PARTS	1	Stk

The "gap" indicates that there is no separate graphics panel (poster) for this assembly
The parts of this assembly are shown with the same mid-section number on the figure

1 Positions and subpositions

Pos.	Sachnummer Product number	Benennung (Description)	Technische Info Technical info	Description (Benennung)	Menge Quantity	Einheit Unit
0370	1315.201.054	RUECKLAUFBOLZEN	KPL.16S151*SG*L= 79	REV.IDLER SHAFT	1	Stk
/0120	0631.329.293	SPANNSTIFT		SLOT. PIN	1	Stk

Positions marked with "/" are the individual items of a completion
For example: Position 0370 contains a centering pin with the position /0120

2 Combinations with standardized parts

Pos.	Sachnummer Product number	Benennung (Description)	Technische Info Technical info	Description (Benennung)	Menge Quantity	Einheit Unit
0630		VERSCHL.SCHR.		SCREW PLUG	1	Stk
	0636.302.067	VERSCHL.SCHR.		SCREW PLUG	1	Stk
	0634.801.249	DICHTRING	A 26 X 31	SEALING RING	1	Stk

The parts list shows the components included in the combination of standardized parts

3 Depiction of position/item number on the figure and in the parts list

01.620 - on the figure 01 relates to the assembly in which the position is included. Due to program-related reasons, it is shown on the figure.

0620 - in the parts list

Pos.	Sachnummer Product number	Benennung (Description)	Technische Info Technical info	Description (Benennung)	Menge Quantity	Einheit Unit
0620	0732.040.736	DRUCKFEDER		COMPRESSION SPRING	1	Stk

4 *-Positions

Positions marked with an * are optional i.e. inclusion in the parts list is not mandatory.
The following note is shown on the figure

je nach Stücklistenausführung
depending on spec. number
*
suivant la nomenclature
secondo la distinta base

5 Parts, dotted display

Parts with dotted display on the figure are only used for orientation of other parts



Pos.	Information	Amendment number
	CUSTOMER: PROMEDINVEST	
	1.PERFORMANCE CALC.: 4657 707 820	
	VEHICLE DESIGNATION: A371-10	
	WEIGHT EMPTY: 21,000 TO	
	ENGINE: CUMMINS 6CTA#8.3-#260	
	ENGINE POWER: 195,0 KW	
	SPEED: 2100 U/MIN	
	INPUT TORQUE: 1100 N/M	
	SPEED: 1400 U/MIN	
	TYRE SIZE: 23,5X25	
	TYRE RADIUS DYN.: 0,740 M	
	AXLE RATIO: 24,667	
	MAX. SPEED: 35,0 KM/H	
	2.PERFORMANCE CALC.: 4657 707 837	
	VEHICLE DESIGNATION: AMKODOR 371A	
	WEIGHT EMPTY: 21,000 TO	
	ENGINE: YAMZ 7601.10 WITH TRANSFER BOX	
	ENGINE POWER: 227,3 KW	
	SPEED: 2.134 U/MIN	
	ENGINE TORQUE: 1.182 N/M	
	SPEED: 1.292 U/MIN	
	TIRES: 23,5X25	
	TYRE RADIUS DYN.: 0,740 M	
	AXLE RATIO: 24,667	
	MAX. SPEED: 34,7 KM/H	
	PRODUCT DESCRIPTION: ZF-ERGOPOWER TRANSMISSION	
	TRANSMISSION TYPE: 5 WG 210	
	DROP CENTER DISTANCE: 540 MM	
	VEHICLE: WHEEL LOADER	
	1. GEAR FORWARD: 4,043	
	2. GEAR FORWARD: 2,255	
	3. GEAR FORWARD: 1,466	
	4. GEAR FORWARD: 0,942	

Technical Cover

Page 2 from 4

Material number: 4657.055.131



5 WG 210 /

Pos.	Information	Amendment number
	5. GEAR FORWARD: 0,613	
	1. GEAR REVERSE: 3,834	
	2. GEAR REVERSE: 2,138	
	3. GEAR REVERSE: 0,894	
	NUMBER OF PULSES ENGIN: 4	
	NUMBER OF PULSES TURBINE: 54	
	NUMBER OF PULSES MRK: 55	
	NUMBER OF PULSES OUTPUT: 46	
	CONVERTER: W 340	
	CONVERTER PART NO.: 034 H 113	
	LOCK-UP CLUTCH: WITHOUT	
	STALL TORQUE RATIO: 2,81	
	TORQUE CONVERTER ABSORPTION: 124 NM	
	STATOR FREEWHEEL: WITHOUT	
	ENGINE INPUT: REMOTE MOUNTED VIA JOINT SHAFT	
	INPUT FLANGE: D 150 8 X M12 X 35	
	OUTPUT: STANDARD	
	OUTPUT CONVERTER SIDE: WITHOUT AXLE DISCONNECT	
	OUTPUT FLANGE CONVERTER SIDE: D 180 8 X M14 X 1,5 X 45	
	AXIAL DISPLACEABILITY: WITHOUT	
	OUTPUT PTO SIDE: WITH PARKING BRAKE	
	DISC BRAKE: SAHR FSG 88	
	RELEASE PRESSURE: 120 - 150 BAR	
	MEDIUM: HYDRAULIK OIL DIN 51525	
	CONNECTION BRAKE PRESSURE: M 10 X 1	
	OUTPUT FLANGE PTO SIDE: D 180 8 X M14 X 1,5 X 45	
	POWER TAKE OFF: 1 PTO COAXIAL ENGINE-DEPENDENT	
	PTO - DISCONNECTION: WITHOUT	
	1.PTO FLANGE: SAE C 2/4 HOLE	
	DRIVER PROFILE: SAE C 12/24 DP 14 T	
	GEAR CHANGE CONTROL: ZF-ERGOSHIFT/ PROP VALVE	
	VOLTAGE: 24 VOLT	
	SETTING SPECIFICATION: 4657.700.099	

Technical Cover

Page 3 from 4

Material number: 4657.055.131



5 WG 210 /

Pos.	Information	Amendment number
	SPEED CONTROL: CONNECTION VIA EST	
	OIL LEVEL TUBE: MOUNTED ON CONVERTER SIDE	
	OIL DIPSTICK: SHORT STRAIGHT	
	FILTER INSTALLATION: DIRECT MOUNTED	
	PRES. DROP SWITCH: CLOSING SWITCH	
	EMERGENCY STEERING PUMP: WITH	
	FLOW RATE: 32 CM ³ /U	
	CONSTANT FLOW: 50 DM ³ /MIN	
	EMERGENCY STEERING PUMP CON. : RADIAL	
	OIL TEMPERATURE SENSOR: WITH (WITHOUT GAUGE)	
	GEARBOX BREATHER: WITH	
	SOFTWARE OPTIONS OHNE SOFTWARE	
	ELECTRIC PARTS ORDER: INCLUDED IN SCOPE OF SUPPLY	
	SEPARATE ORDER: WITHOUT	
	GROUP LOOSE PARTS: 4657.183.319	
	CONTROL UNIT: EST 37A	
	GEAR SELECTOR: DW 3	
	2ND GEAR SELECTOR: WITHOUT	
	DISPLAY: FOR INBOARD MOUNTING	
	LOAD SENSOR: WITHOUT	
	WIRING: WITH	
	OIL CAPACITY TRANSM.: CA. 27 LITRE	
	OIL FILLING TRANSM.: WITHOUT	
	OIL GRADE TRANSM.: TE- ML 03	
	PRIMER PAINT: RED RAL 3009	
	DOCUMENTATION GEAR BOX: -----	
	SECTION DRAWING: 4657 500 092	
	INSTALLATION DRAWING: 4657 655 131	
	GEARBOX DIAGRAM: 4657 500 165	
	OIL CIRCUIT DIAGRAM: 4657 700 159	
	INSTALL. INSTRUCTIONS: 0000 702 951	
	DOCU. CONTROL UNIT: -	
	DRAWING 6009 665 002	

Technical Cover

Page 4 from 4

Material number: 4657.055.131



5 WG 210 /

Pos.	Information	Amendment number
	DRAWING GEAR SEL. 1: 6006 630 033	
	CONNECTION DIAGRAM: 6006 700 564	
	WIRING DIAGRAM: 6029 701 314	
	CONNECTION DIAGRAM: 6029 701 315	
	DRAWING DISPLAY: 6007 603 047	

Assembly group overview

Page 1 from 2



5 WG 210 /

Material number: 4657.055.131

Graphics	Pos.	Material number	Name	Quantity	Amend. no.	Techn. Info.
465713004500	270	4657.130.045	ENGINE CONNECTION	1		
465713040600	280	4657.130.406	ENGINE CONNECTION	1		
416603407900	500	4166.034.079	CONVERTER	1		
465710203000	30	4657.102.030	INPUT	1		
465710107401	10	4657.101.074	TRANSMISSION HOUSING	1		
	KIT	4657.298.096	HOUSING REAR SECTION	1		
465710140800	20	4657.101.408	TRANSMISSION HOUSING	1		
465717104300	350	4657.171.043	COUPLING	1		
465717203400	360	4657.172.034	COUPLING	1		
465717301900	370	4657.173.019	COUPLING	1		
465717404900	380	4657.174.049	COUPLING	1		
465717501400	390	4657.175.014	COUPLING	1		
465717601700	400	4657.176.017	COUPLING	1		
465710301000	50	4657.103.010	OUTPUT	1		
465710342900	60	4657.103.429	OUTPUT	1		
465610901800	170	4656.109.018	PARKING BRAKE	1		
465710940900	70	4657.109.409	PARKING BRAKE	1		

Assembly group overview

Page 2 from 2



5 WG 210 /

Material number: 4657.055.131

Graphics	Pos.	Material number	Name	Quantity	Amend. no.	Techn. Info.
465715400400	340	4657.154.004	POWER TAKE-OFF	1		
465710601200	110	4657.106.012	SHIFT SYSTEM	1		
465710640720	115	4657.106.407	SHIFT SYSTEM	1		
465615901921	120	4656.159.019	SHIFT SYSTEM	1		
465712300300	225	4657.123.003	CONTROL UNIT	1		
465612000300	190	4656.120.003	PRESSURE REGULATOR	1		
465712200500	220	4657.122.005	PRESSURE OIL PUMP	1		
465713700400	310	4657.137.004	EMERGENCY STEERING PUMP	1		
465710700300	130	4657.107.003	SPEEDOMETER	1		
465712500200	250	4657.125.002	INDUCTIVE SENSOR	1		
465712400300	240	4657.124.003	TEMPERATURE SENSOR	1		
465613801500	330	4656.138.015	FILTER	1		
465713100400	290	4657.131.004	FILLER NOZZLE	1		
465718331900	490	4657.183.319	LOOSE PARTS	1		

Plant

Page 1 from 1

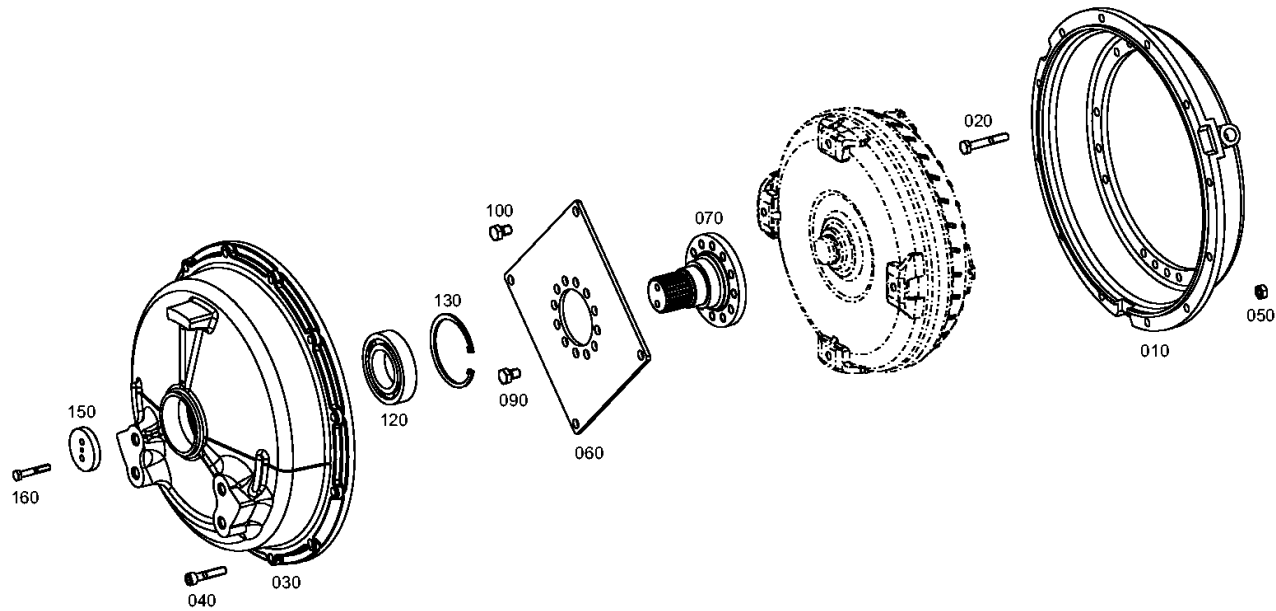
Material number: 4657.055.131

Plant: 465713004500

Material-assembly-group-no: 4657.130.045



5 WG 210 /
ENGINE CONNECTION



Plant

Page 1 from 1

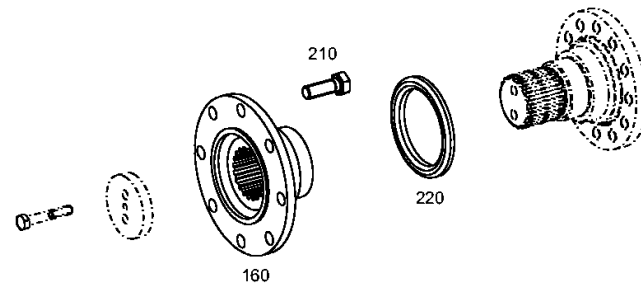
Material number: 4657.055.131

Plant: 465713040600

Material-assembly-group-no: 4657.130.406



5 WG 210 /
ENGINE CONNECTION



Plant

Page 1 from 1

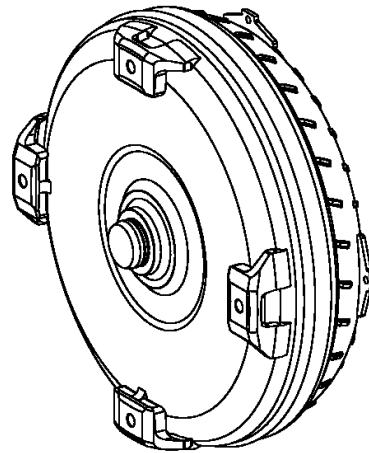
Material number: 4657.055.131

Plant: 416603407900

Material-assembly-group-no: 4166.034.079



5 WG 210 /
CONVERTER



010

Plant

Page 1 from 1

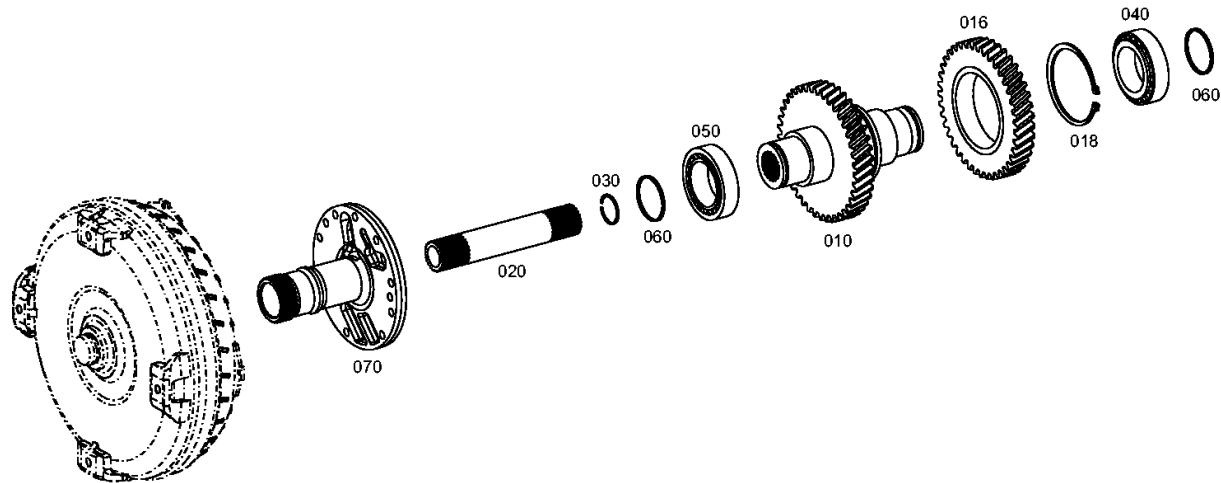
Material number: 4657.055.131

Plant: 465710203000

Material-assembly-group-no: 4657.102.030



5 WG 210 /
INPUT



Plant

Page 1 from 2

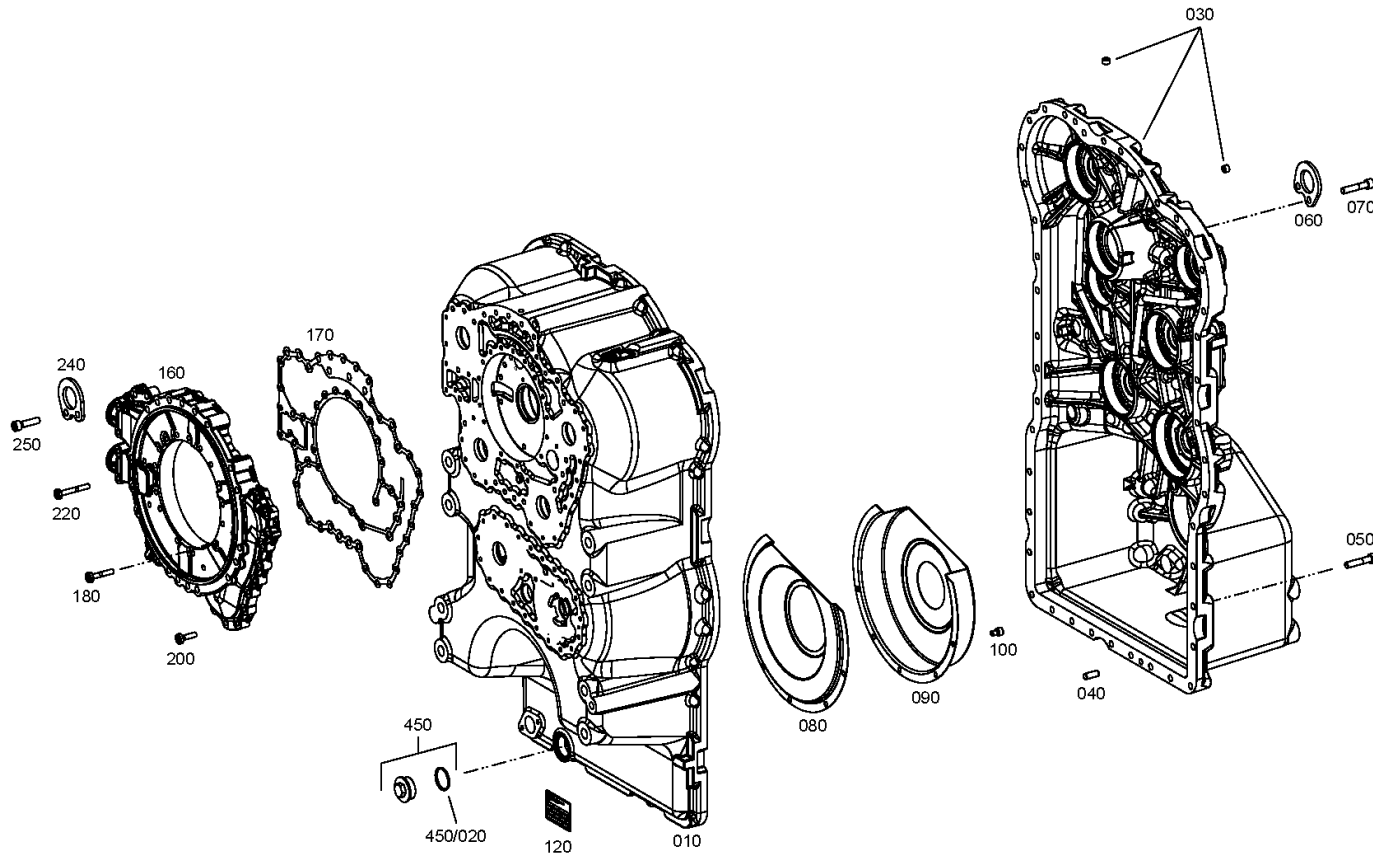
Material number: 4657.055.131

Plant: 465710107401

Material-assembly-group-no: 4657.101.074



5 WG 210 /
TRANSMISSION HOUSING



Plant

Page 2 from 2

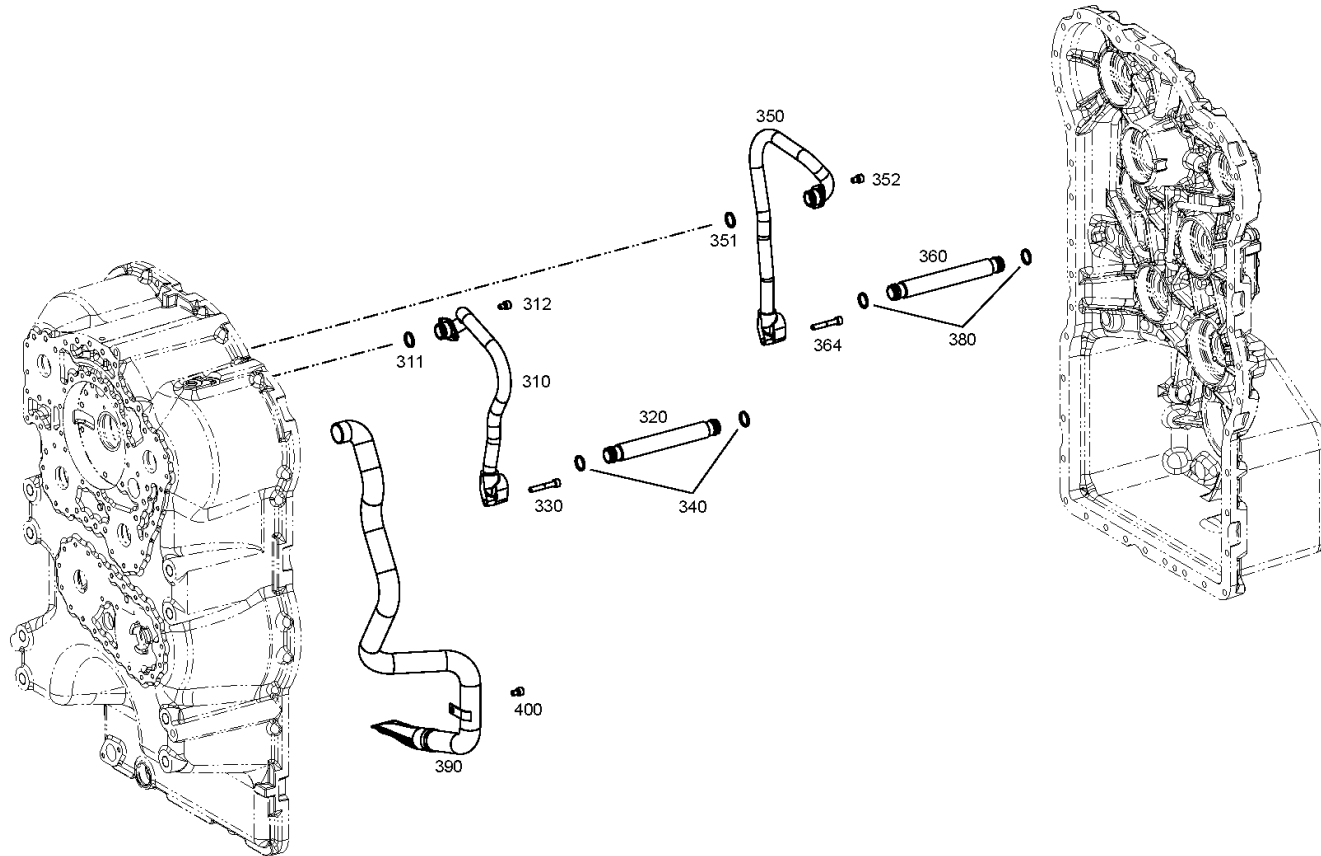
Material number: 4657.055.131

Plant: 465710107402

Material-assembly-group-no: 4657.101.074



5 WG 210 /
TRANSMISSION HOUSING



Plant

Page 1 from 1

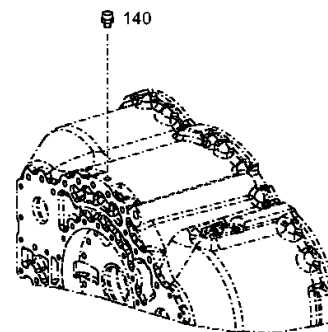
Material number: 4657.055.131

Plant: 465710140800

Material-assembly-group-no: 4657.101.408



5 WG 210 /
TRANSMISSION HOUSING



Plant

Page 1 from 1

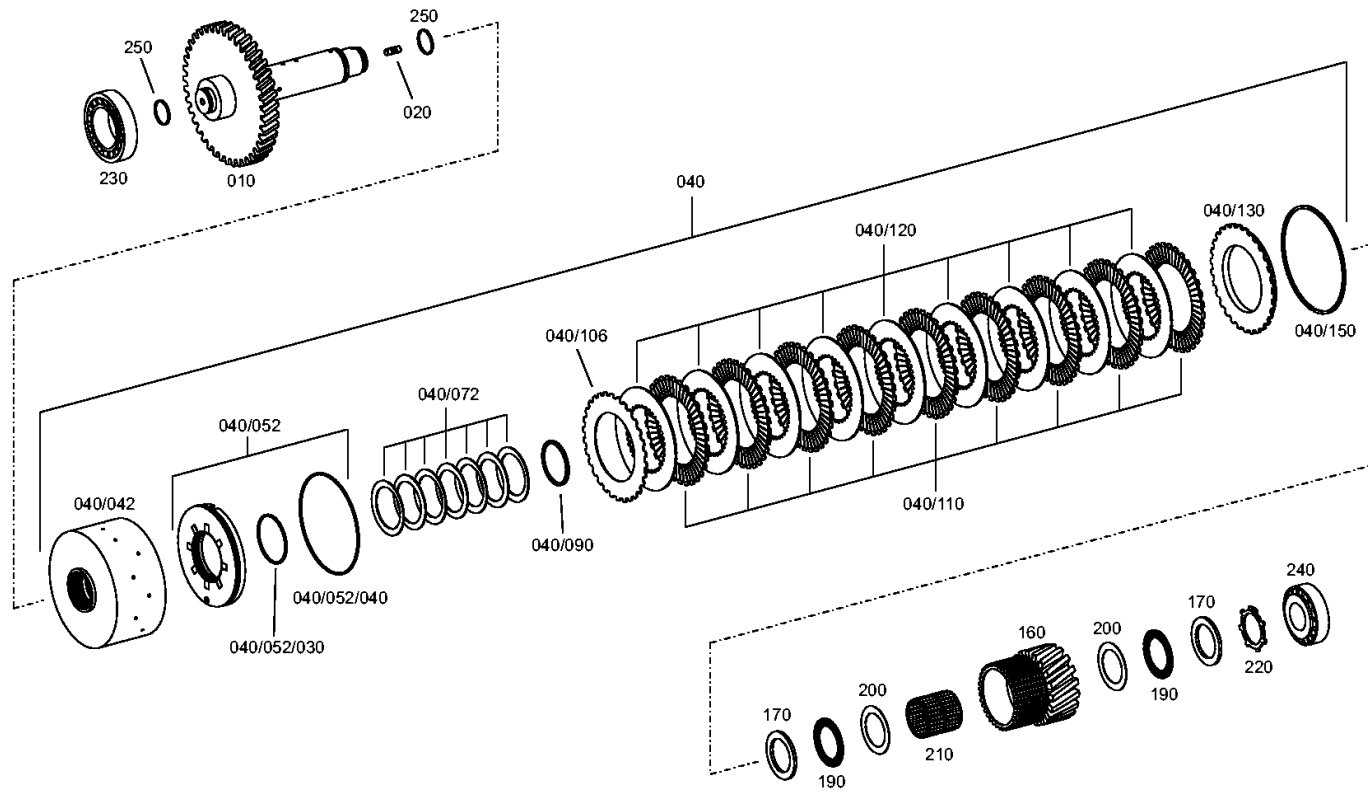
Material number: 4657.055.131

Plant: 465717104300

Material-assembly-group-no: 4657.171.043



5 WG 210 /
COUPLING



Plant

Page 1 from 1

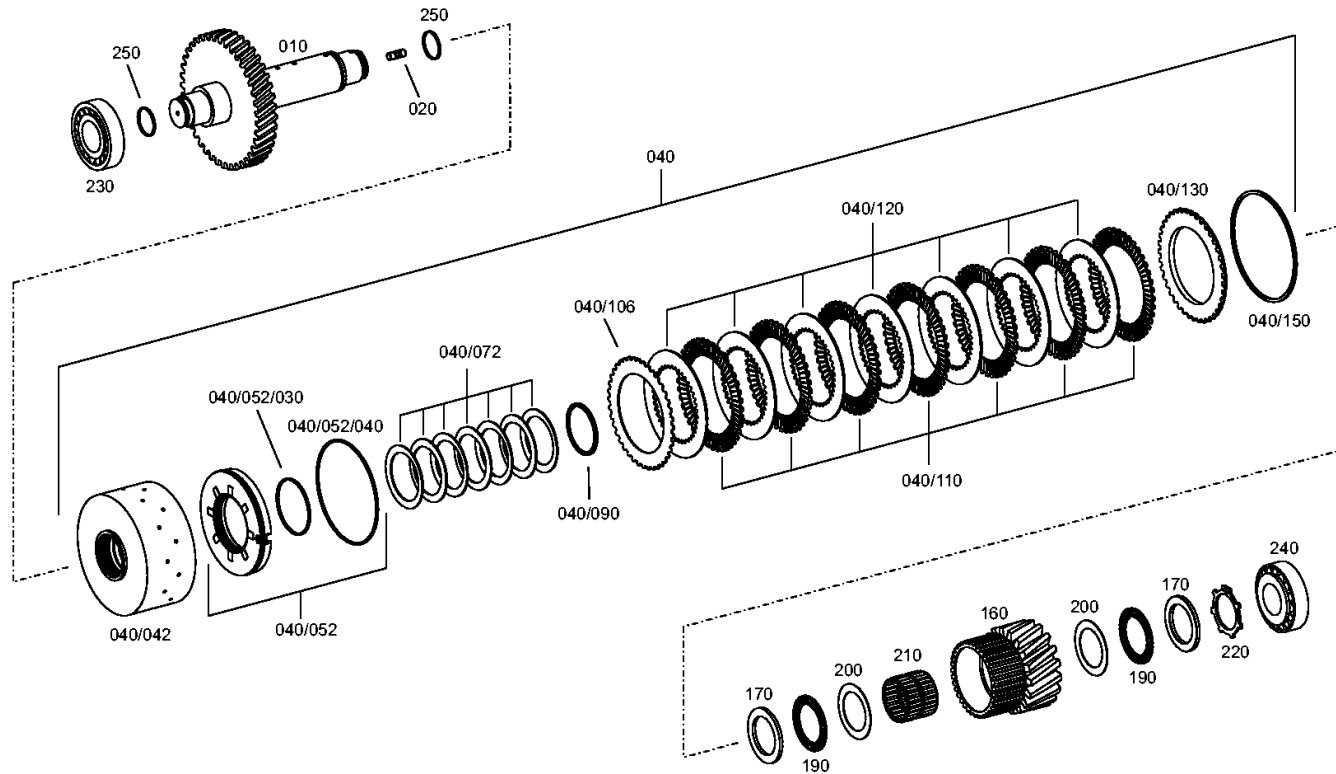
Material number: 4657.055.131

Plant: 465717203400

Material-assembly-group-no: 4657.172.034



5 WG 210 /
COUPLING



Plant

Page 1 from 1

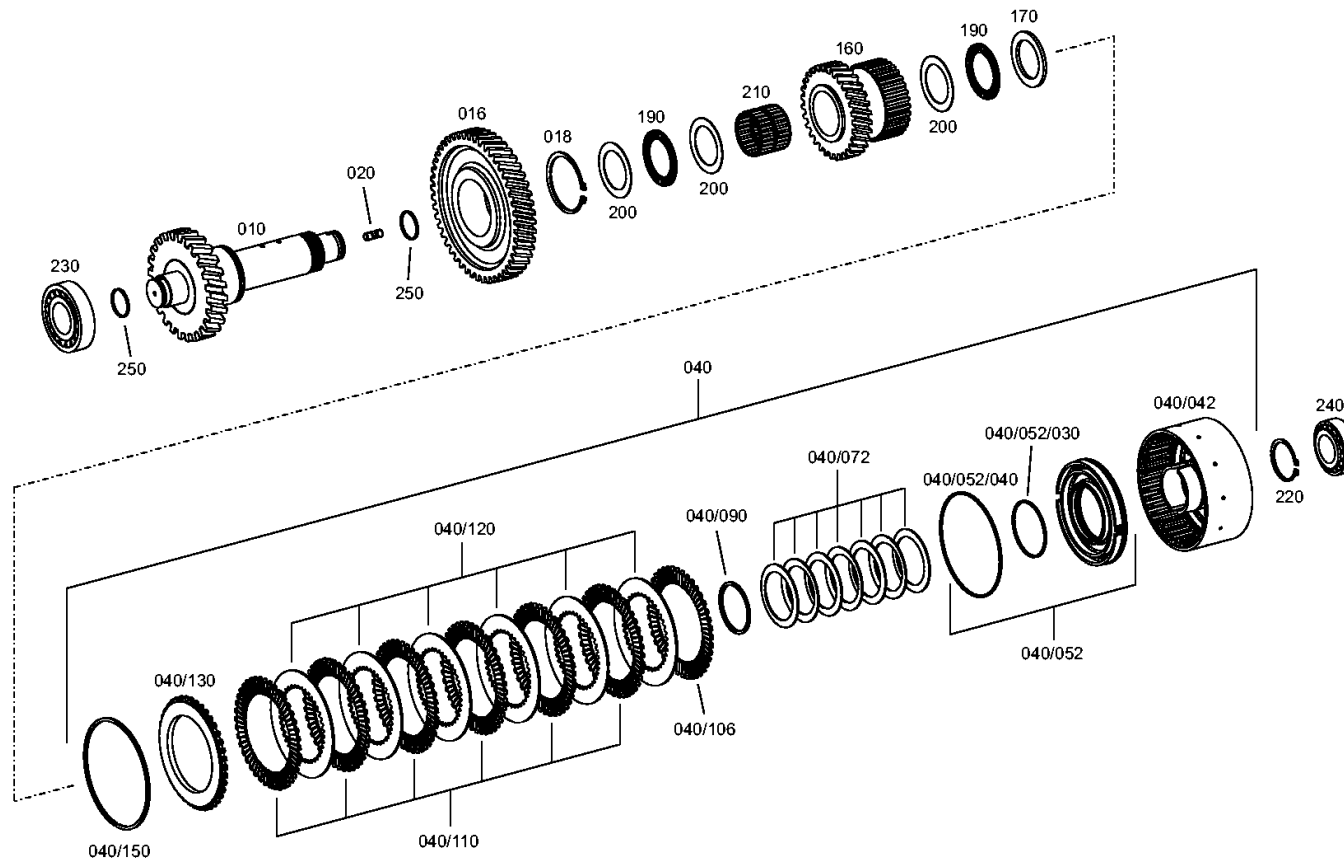
Material number: 4657.055.131

Plant: 465717404900

Material-assembly-group-no: 4657.174.049



5 WG 210 /
COUPLING



Plant

Page 1 from 1

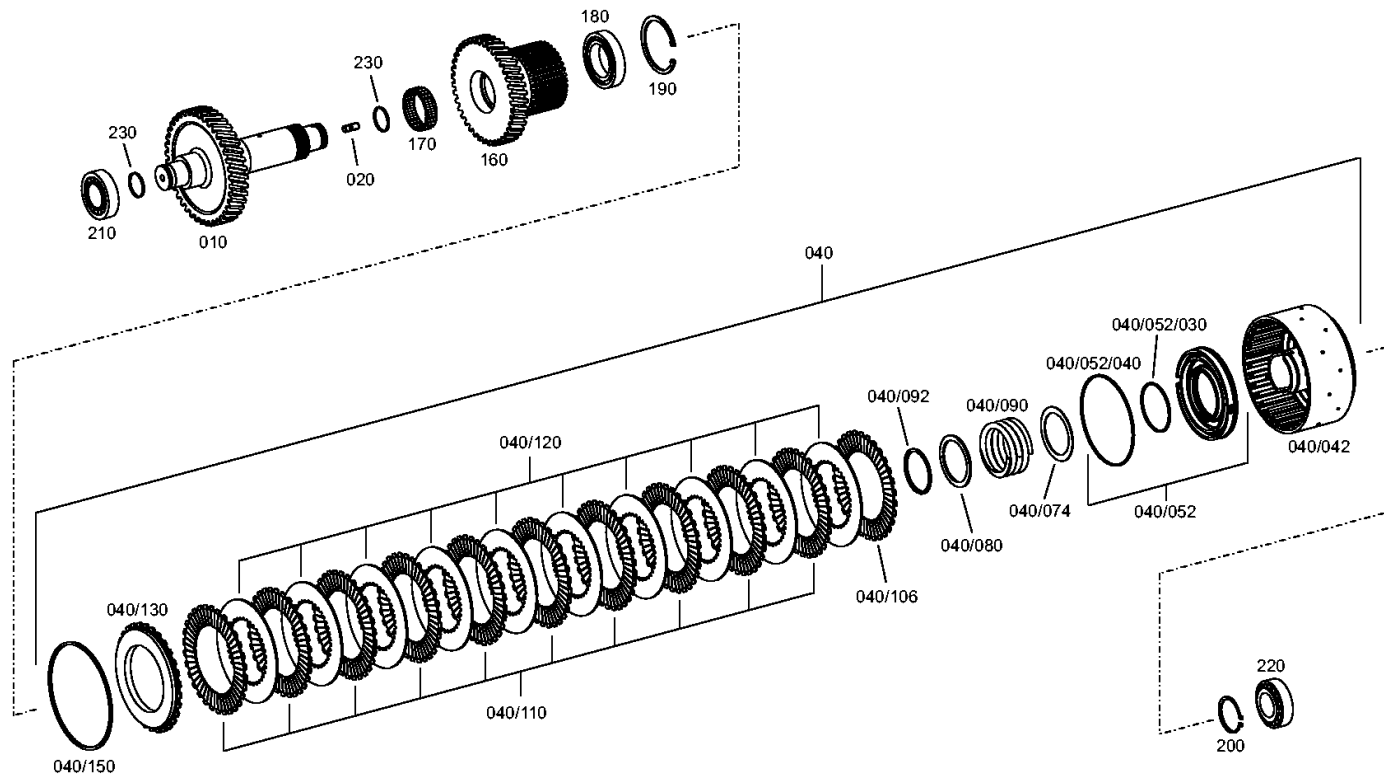
Material number: 4657.055.131

Plant: 465717501400

Material-assembly-group-no: 4657.175.014



5 WG 210 /
COUPLING



Plant

Page 1 from 1

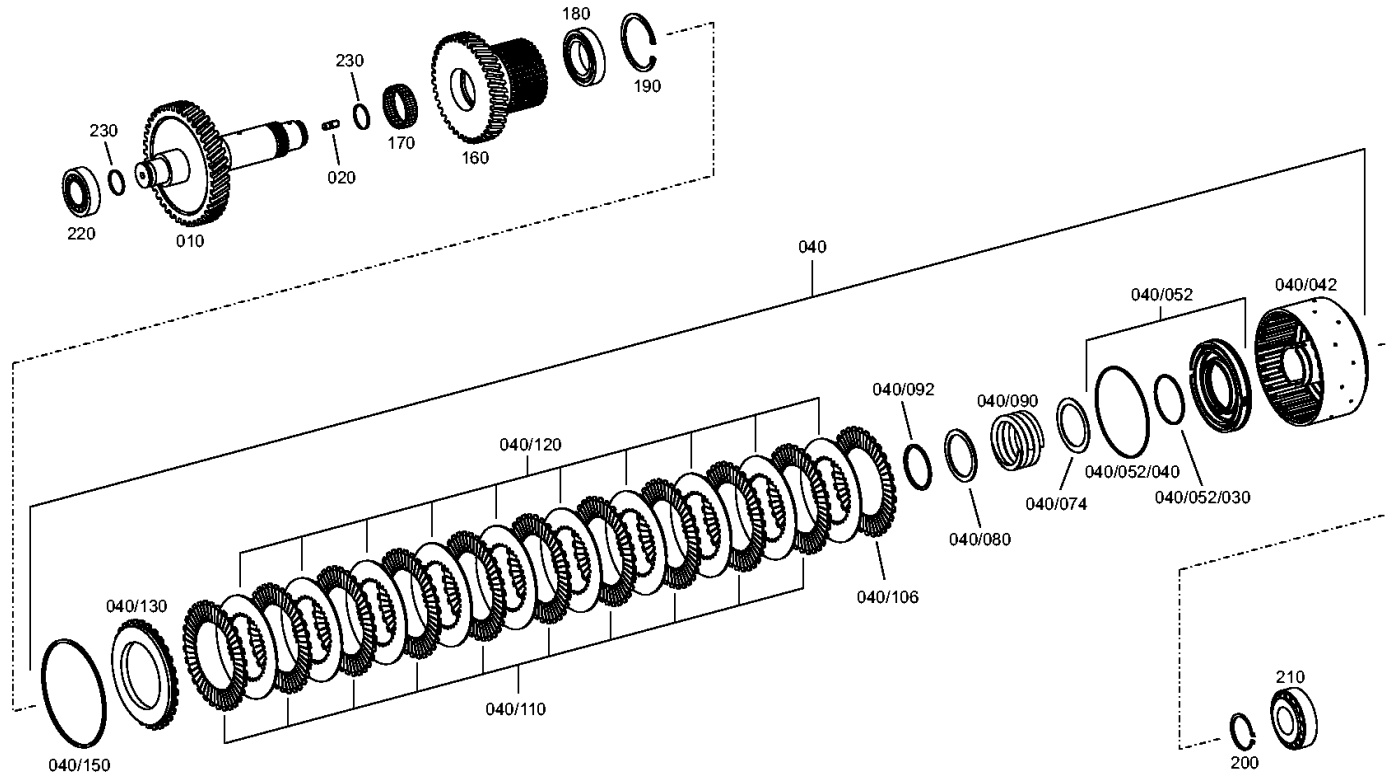
Material number: 4657.055.131

Plant: 465717601700

Material-assembly-group-no: 4657.176.017



5 WG 210 /
COUPLING



Plant

Page 1 from 1

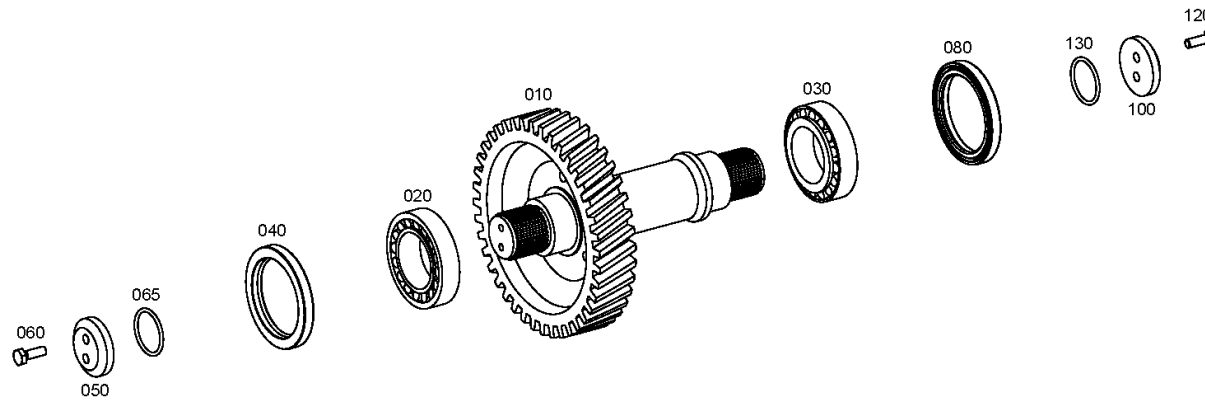
Material number: 4657.055.131

Plant: 465710301000

Material-assembly-group-no: 4657.103.010



5 WG 210 /
OUTPUT



Plant

Page 1 from 1

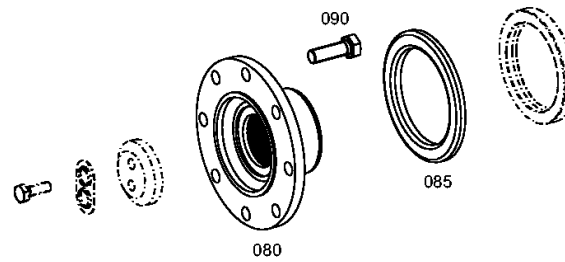
Material number: 4657.055.131

Plant: 465710342900

Material-assembly-group-no: 4657.103.429



5 WG 210 /
OUTPUT



Plant

Page 1 from 1

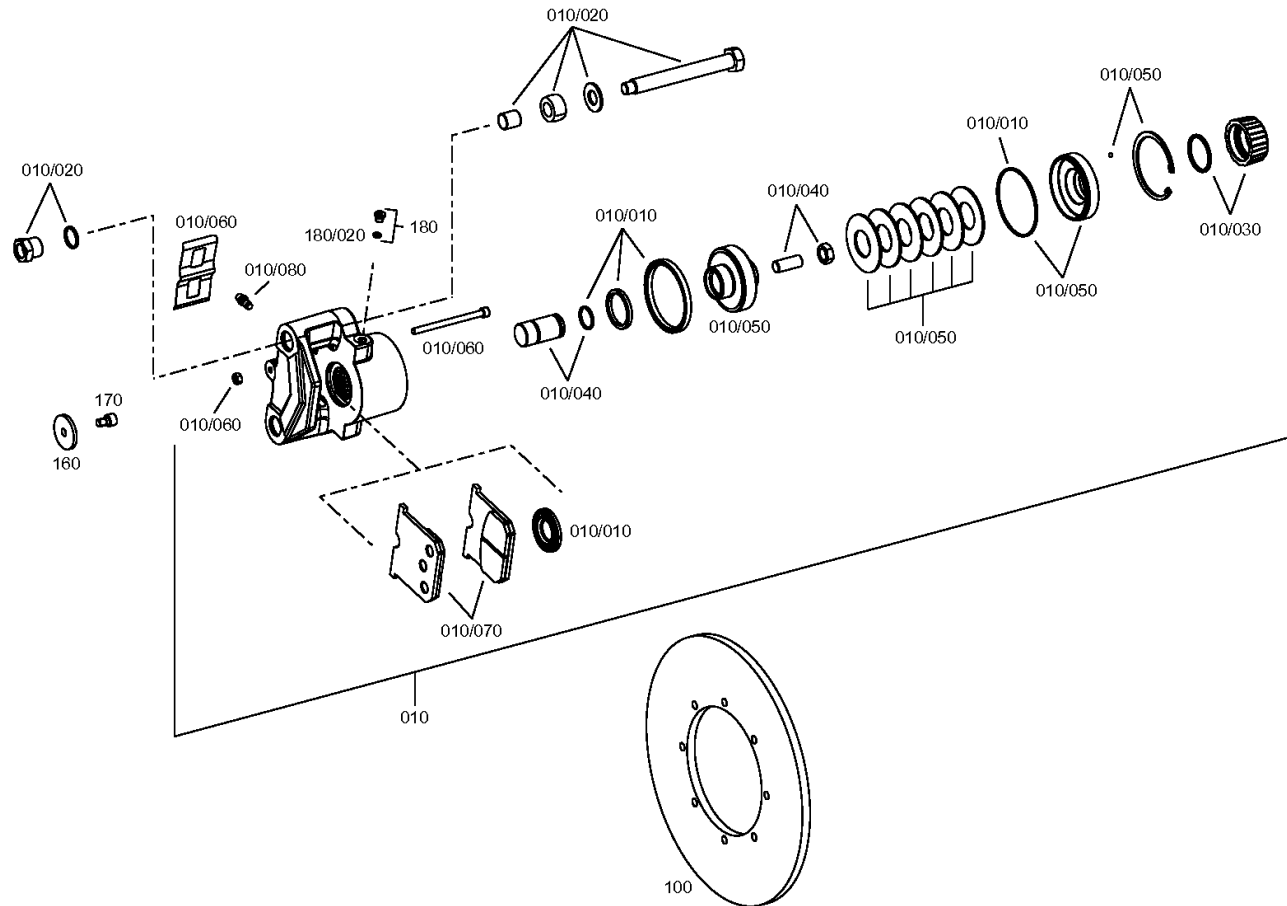
Material number: 4657.055.131

Plant: 465610901800

Material-assembly-group-no: 4656.109.018



5 WG 210 /
PARKING BRAKE



Plant

Page 1 from 1

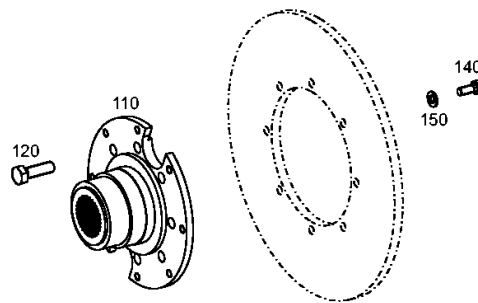
Material number: 4657.055.131

Plant: 465710940900

Material-assembly-group-no: 4657.109.409



5 WG 210 /
PARKING BRAKE



Plant

Page 1 from 1

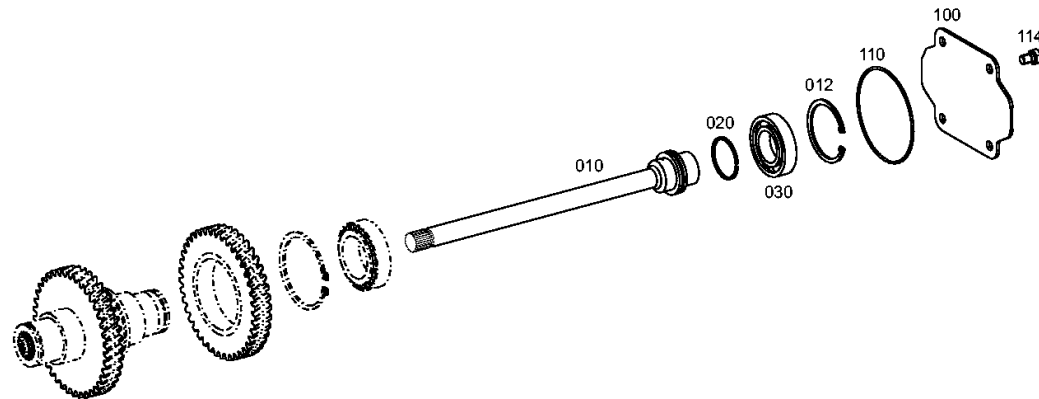
Material number: 4657.055.131

Plant: 465715400400

Material-assembly-group-no: 4657.154.004



5 WG 210 /
POWER TAKE-OFF



Plant

Page 1 from 1

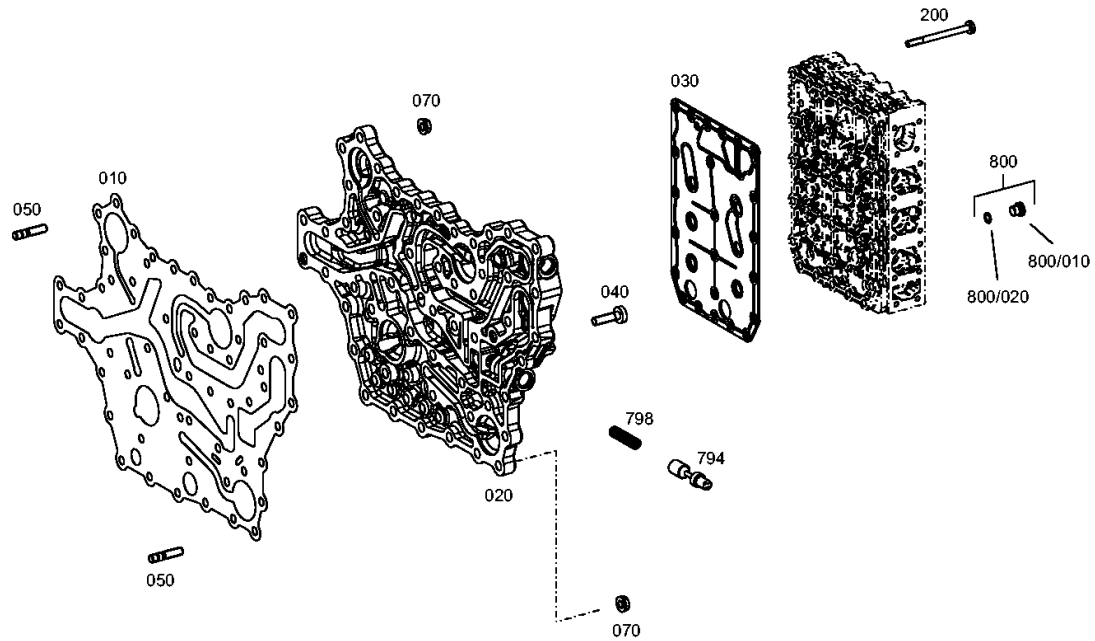
Material number: 4657.055.131

Plant: 465710601200

Material-assembly-group-no: 4657.106.012



5 WG 210 /
SHIFT SYSTEM



Plant

Page 1 from 1

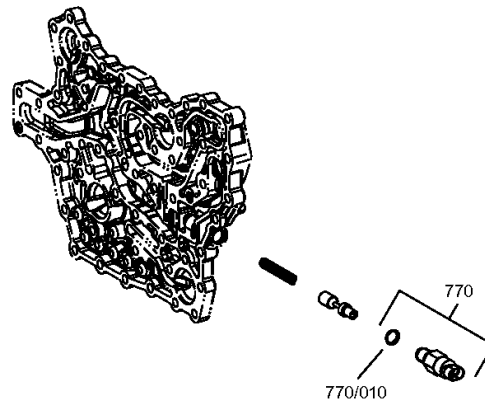
Material number: 4657.055.131

Plant: 465710640720

Material-assembly-group-no: 4657.106.407



5 WG 210 /
SHIFT SYSTEM



Plant

Page 1 from 2

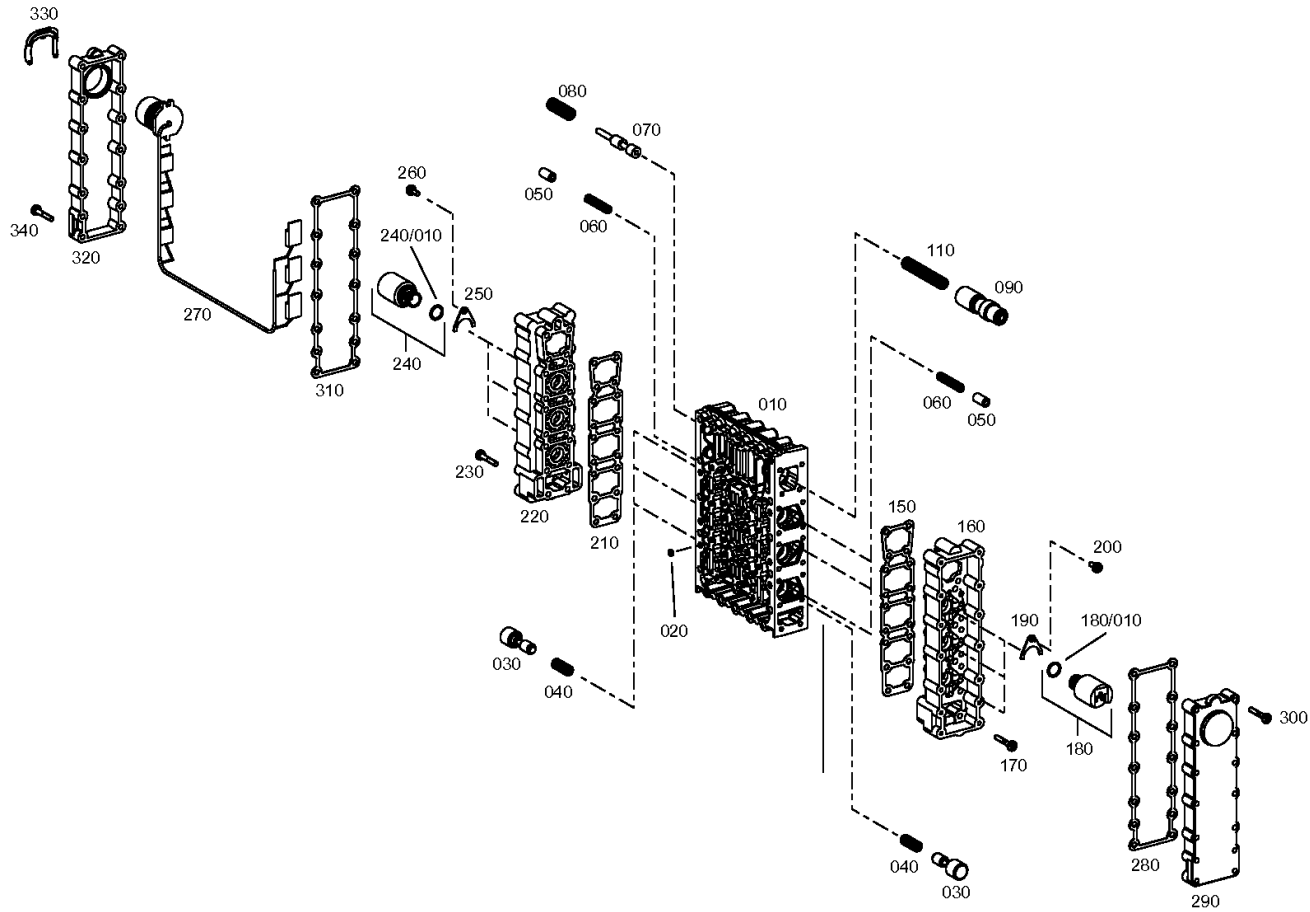
Material number: 4657.055.131

Plant: 465615901921

Material-assembly-group-no: 4656.159.019



5 WG 210 /
SHIFT SYSTEM



Plant

Page 2 from 2

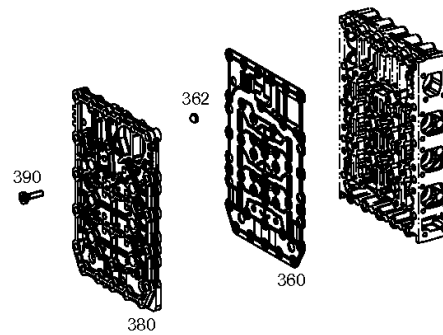
Material number: 4657.055.131

Plant: 465615901922

Material-assembly-group-no: 4656.159.019



5 WG 210 /
SHIFT SYSTEM



Plant

Page 1 from 1

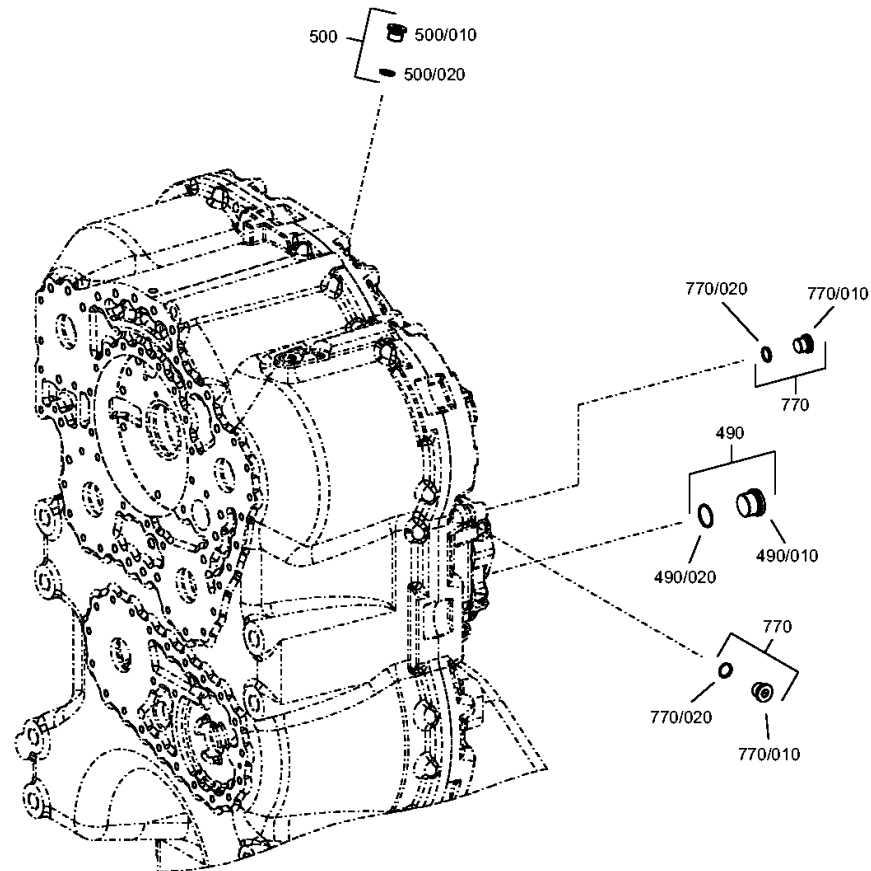
Material number: 4657.055.131

Plant: 465712300300

Material-assembly-group-no: 4657.123.003



5 WG 210 /
CONTROL UNIT



Plant

Page 1 from 1

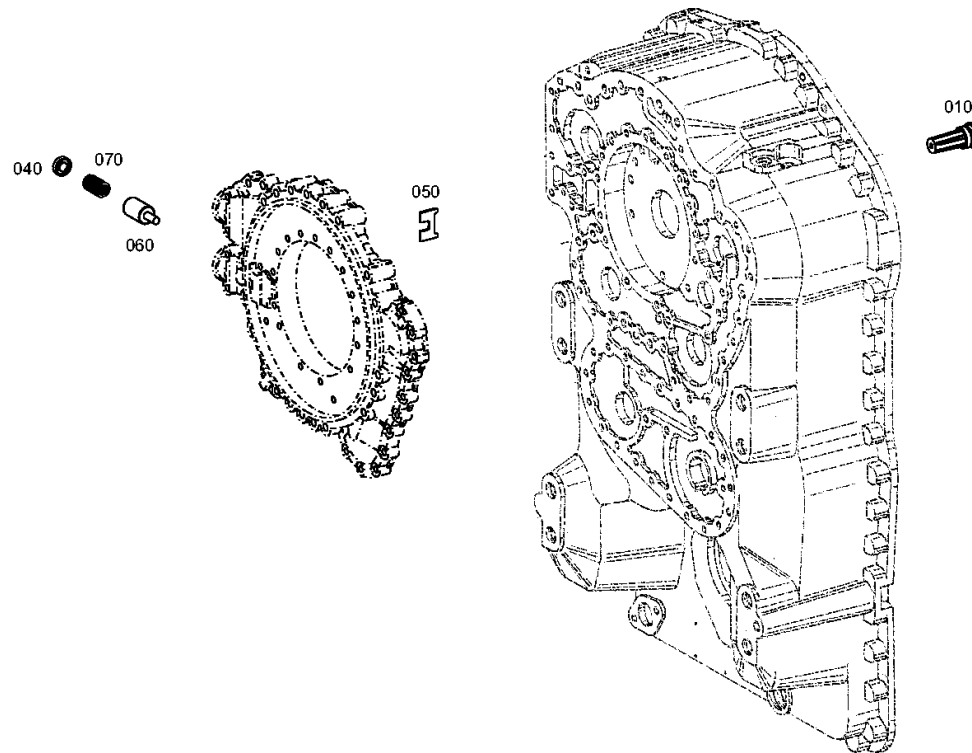
Material number: 4657.055.131

Plant: 465612000300

Material-assembly-group-no: 4656.120.003



5 WG 210 /
PRESSURE REGULATOR



Plant

Page 1 from 1

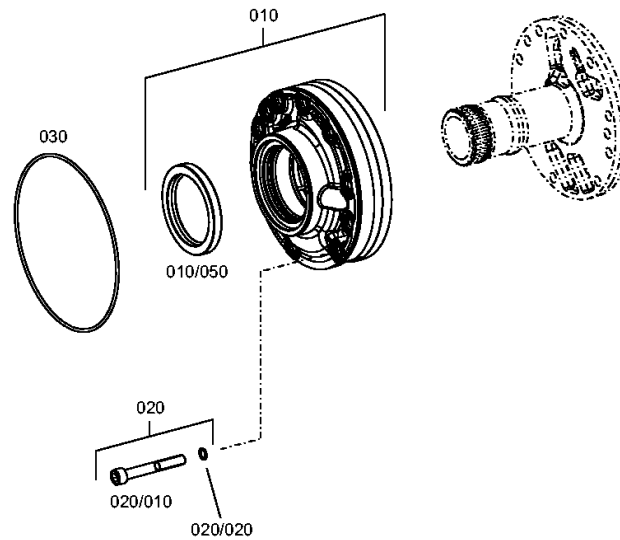
Material number: 4657.055.131

Plant: 465712200500

Material-assembly-group-no: 4657.122.005



5 WG 210 /
PRESSURE OIL PUMP



Plant

Page 1 from 1

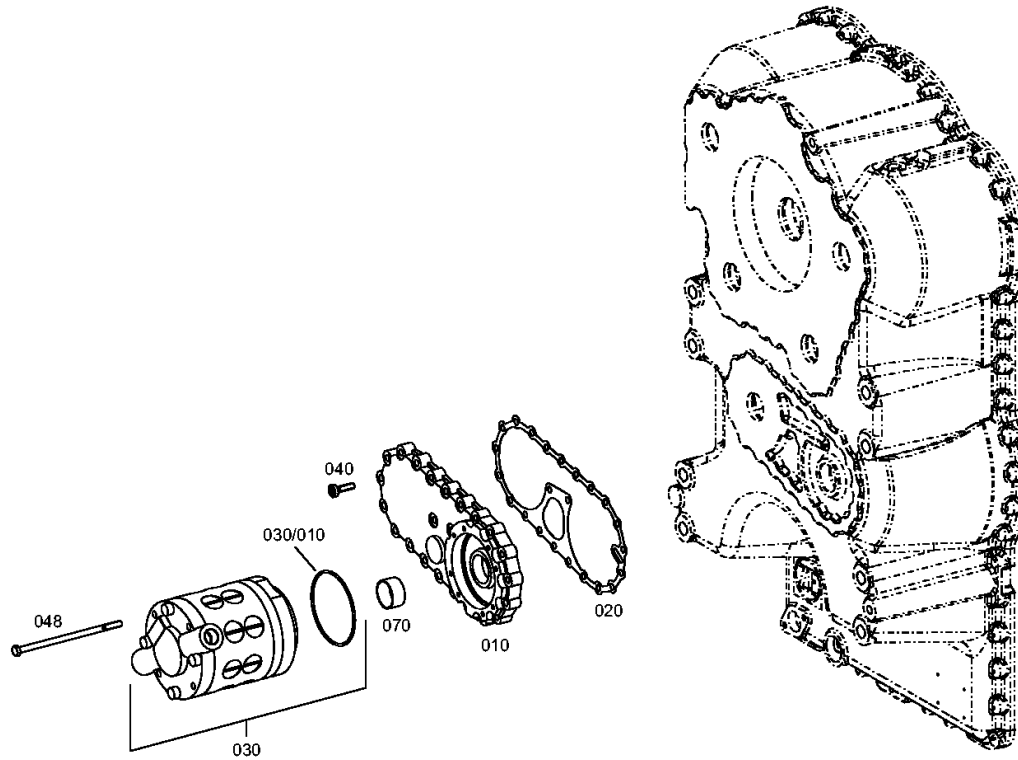
Material number: 4657.055.131

Plant: 465713700400

Material-assembly-group-no: 4657.137.004



5 WG 210 /
EMERGENCY STEERING PUMP



Plant

Page 1 from 1

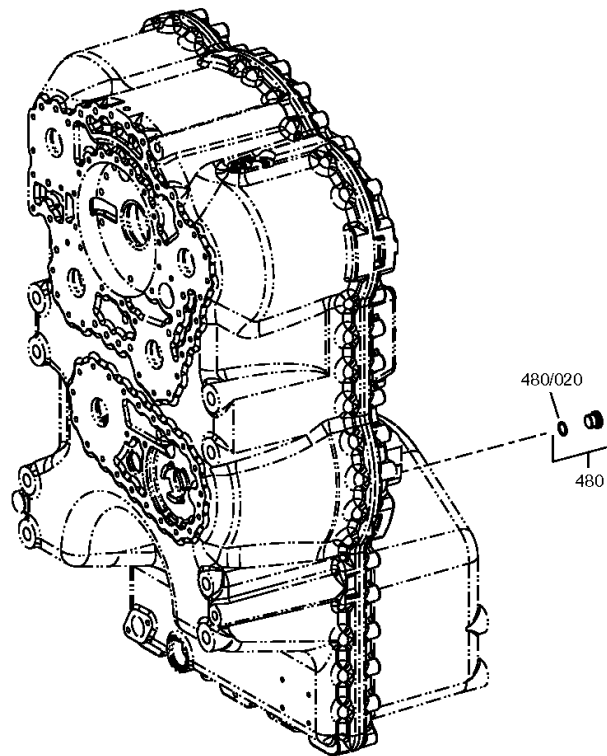
Material number: 4657.055.131

Plant: 465710700300

Material-assembly-group-no: 4657.107.003



5 WG 210 /
SPEEDOMETER



Plant

Page 1 from 1

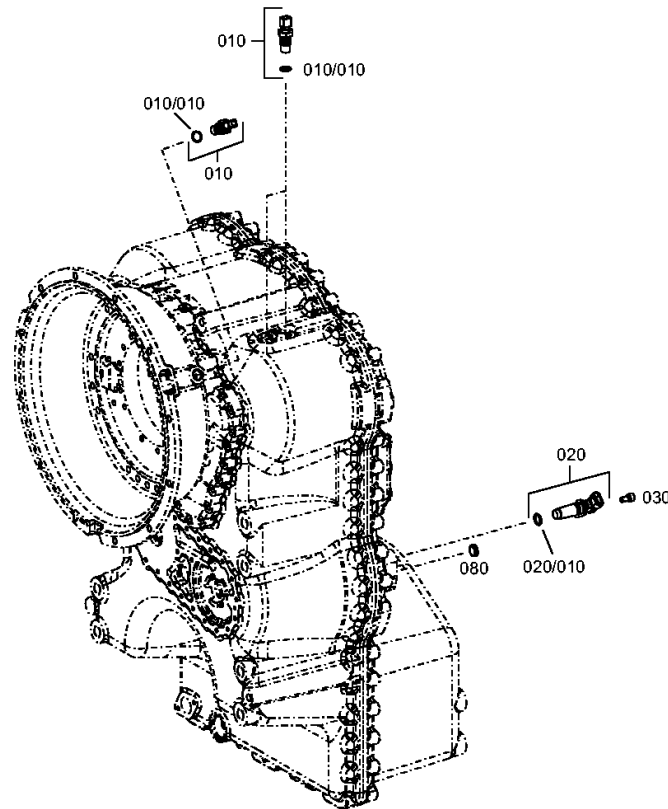
Material number: 4657.055.131

Plant: 465712500200

Material-assembly-group-no: 4657.125.002



5 WG 210 /
INDUCTIVE SENSOR



Plant

Page 1 from 1

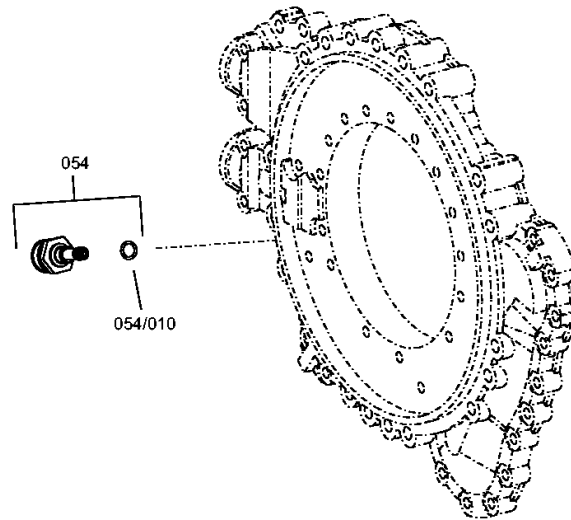
Material number: 4657.055.131

Plant: 465712400300

Material-assembly-group-no: 4657.124.003



5 WG 210 /
TEMPERATURE SENSOR



Plant

Page 1 from 1

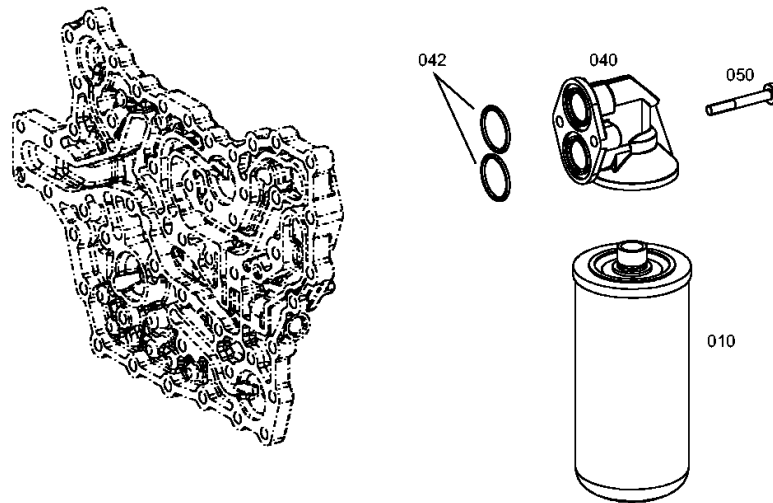
Material number: 4657.055.131

Plant: 465613801500

Material-assembly-group-no: 4656.138.015



5 WG 210 /
FILTER



Plant

Page 1 from 1

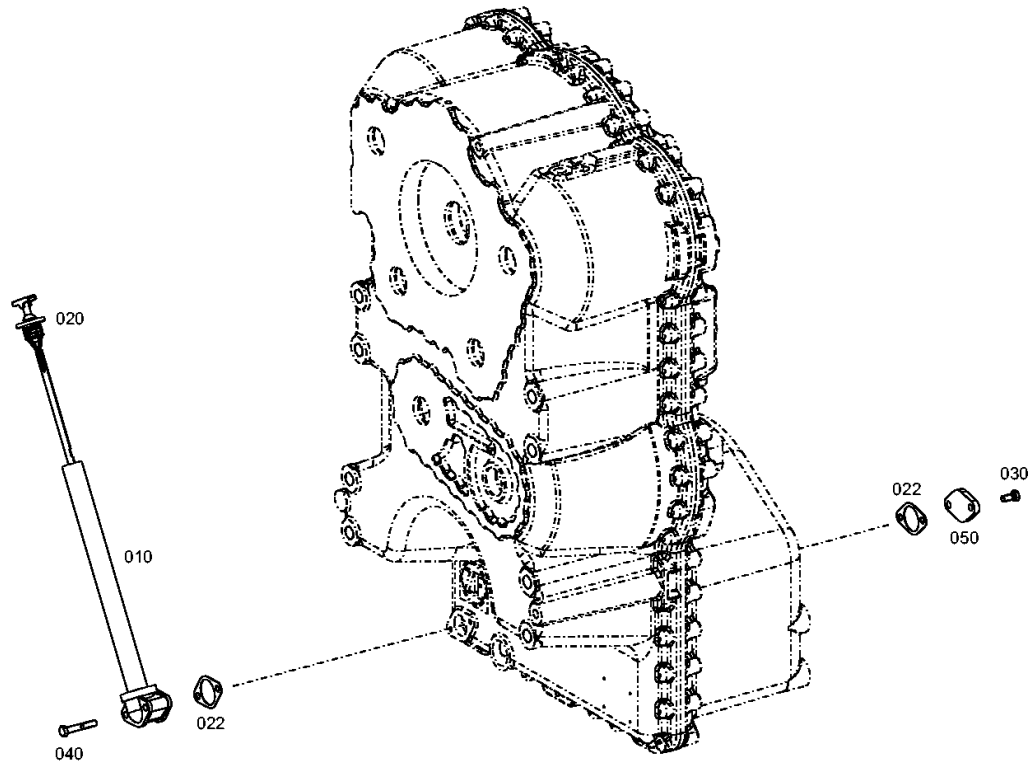
Material number: 4657.055.131

Plant: 465713100400

Material-assembly-group-no: 4657.131.004



5 WG 210 /
FILLER NOZZLE



Plant

Page 1 from 1

Material number: 4657.055.131

Plant: 465718331900

Material-assembly-group-no: 4657.183.319



5 WG 210 /
LOOSE PARTS

