



Spare Parts Catalog

5 WG 98

Material number: 4660.003.030

ZF Friedrichshafen AG

Hauptverwaltung

80038 Friedrichshafen

Deutschland

Telefon: +49 7541 77-0

Telefax: +49 7541 77-908000

www.zf.com

zuständiges Werk:

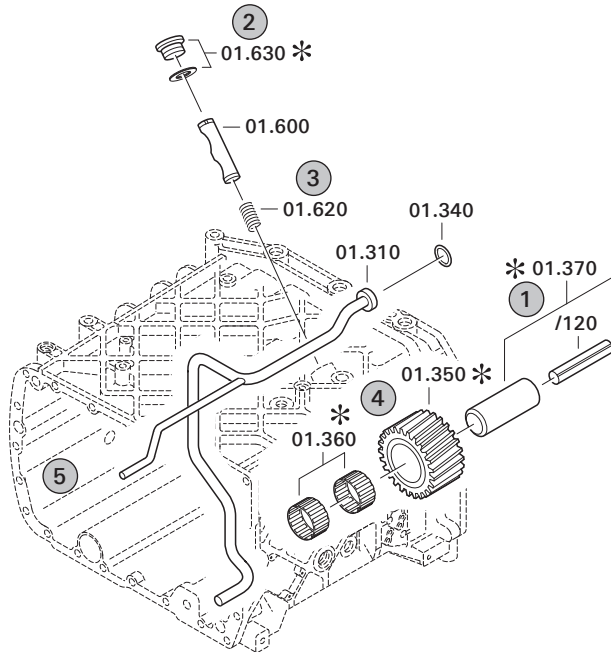
Passau

Notes relating to the spare parts catalog

Setup of the spare parts catalog

- Cover sheet
- Technical Cover (only in SDM print)
- Overview of figures
- Figure
- Associated parts list
- Next figure
- Associated parts list
- ...

Figure and parts list



Overview of figures

Bildtafel Figure	Sachnummer Product number	Benennung (Description)	Technische Info Technical info	Description (Benennung)	Menge Quantity	Einheit Unit
068.08.17	1316.170.001	AUSLEGER	WL	SHIFT TURRET	1	Stk
068.08.06	1316.170.031	DECKEL	WL*H-H *VM	COVER	1	Stk
068.08.14	1316.170.808	DECKEL	WL*AUSL+GEH*H-H*HF160N	COVER	1	Stk
08	1316.170.441	ANSCHLUSSTEILE	WL*NG-VORB*RG-SCHL*168N *BAJONETT	CONNECTING PARTS	1	Stk

The "gap" indicates that there is no separate graphics panel (poster) for this assembly
The parts of this assembly are shown with the same mid-section number on the figure

1 Positions and subpositions

Pos.	Sachnummer Product number	Benennung (Description)	Technische Info Technical info	Description (Benennung)	Menge Quantity	Einheit Unit
0370	1315.201.054	RUECKLAUFBOLZEN	KPL.16S151*SG*L= 79	REV.IDLER SHAFT	1	Stk
/0120	0631.329.293	SPANNSTIFT		SLOT. PIN	1	Stk

Positions marked with "/" are the individual items of a completion
For example: Position 0370 contains a centering pin with the position /0120

2 Combinations with standardized parts

Pos.	Sachnummer Product number	Benennung (Description)	Technische Info Technical info	Description (Benennung)	Menge Quantity	Einheit Unit
0630		VERSCHL.SCHR.		SCREW PLUG	1	Stk
	0636.302.067	VERSCHL.SCHR.		SCREW PLUG	1	Stk
	0634.801.249	DICHTRING	A 26 X 31	SEALING RING	1	Stk

The parts list shows the components included in the combination of standardized parts

3 Depiction of position/item number on the figure and in the parts list

01.620 - on the figure 01 relates to the assembly in which the position is included. Due to program-related reasons, it is shown on the figure.

0620 - in the parts list

Pos.	Sachnummer Product number	Benennung (Description)	Technische Info Technical info	Description (Benennung)	Menge Quantity	Einheit Unit
0620	0732.040.736	DRUCKFEDER		COMPRESSION SPRING	1	Stk

4 *-Positions

Positions marked with an * are optional i.e. inclusion in the parts list is not mandatory.
The following note is shown on the figure

je nach Stücklistenausführung
depending on spec. number
*
suivant la nomenclature
secondo la distinta base

5 Parts, dotted display

Parts with dotted display on the figure are only used for orientation of other parts



Pos.	Information	Amendment number
	CUSTOMER: HIDROMEK	
	IDENT-NO: WITHOUT	
	1.PERFORMANCE CALC.: 4660 706 281	
	VEHICLE DESIGNATION: 102B	
	WEIGHT EMPTY: 9,060 TO	
	ENGINE: JOHN DEERE 4045HF280-TIER3	
	ENGINE POWER: 74,1 KW	
	SPEED: 2.000 U/MIN	
	INPUT TORQUE: 380 NM	
	SPEED: 1.700 U/MIN	
	TYRE SIZE: 16.9/14-28	
	TYRE RADIUS DYN.: 0,650 M	
	AXLE RATIO: 17,231	
	MAX. SPEED: 38,2 KM/H	
	PRODUCT DESCRIPTION: ZF-ERGOPOWER S	
	TRANSMISSION TYPE 4 WG 98 4 WD	
	DROP CENTER DISTANCE: PTO SIDE HORIZONTAL 17 MM	
	PTO SIDE VERTIKAL 180MM	
	CONVERTER-SIDE HORIZ. 150MM	
	CONVERTER-SIDE VERTIKAL 300 MM	
	VEHICLE: BACKHOE-LOADER	
	1. GEAR FORWARD: 5,528	
	2. GEAR FORWARD: 2,866	
	3. GEAR FORWARD: 1,890	
	4. GEAR FORWARD: 1,158	
	5.GANG VORWÄRTS: 0,764	
	1. GEAR REVERSE: 4,680	
	2. GEAR REVERSE: 2,569	
	3. GEAR REVERSE: 1,039	
	CONVERTER: W 300	
	LOCK-UP CLUTCH: WITHOUT	
	STALL TORQUE RATIO: 2,88	



Pos.	Information	Amendment number
	TORQUE CONVERTER ABSORP 245 NM	
	STATOR FREEWHEEL: WITH	
	ENGINE INPUT: DIRECT MOUNTED TO ENGINE	
	ENGINE-CONNECTION: SAE 3	
	ENGINE: JOHN DEERE	
	BOLT CIRCLE: 350,0 MM	
	CONNECTION: HOLE	
	OUTPUT: STANDARD	
	OUTPUT SHAFT CONVERTER SHAFT SAE DP 16/32 Z= 23	
	OUTPUT FLANGE PTO SIDE: DS 1480 SLIDING FLANGE	
	POWER TAKE OFF: 1 PTO COAXIAL ENGINE-DEPENDENT	
	1.PTO FLANGE: SAE_C_2LOCH	
	DRIVER / PROFILE: SAE C 12/24 DP 14 T	
	GEAR CHANGE CONTROL: ZF-POWERSHIFT	
	VOLTAGE: 12 VOLT	
	SPEED SENSOR: WITH	
	OIL LEVEL TUBE: MOUNTED ON PTO SIDE	
	OIL DIPSTICK: WITHOUT	
	FILTER INSTALLATION: DIRECT MOUNTED	
	OIL CAPACITY TRANSM.: CA. 15 LITRE	
	OIL FILLING TRANSM.: WITHOUT	
	OIL GRADE TRANSM.: TE- ML 03	
	PRIMER PAINT: BLACK RAL 9005	
	DOCUMENTATION GEAR BOX: -----	
	SECTION DRAWING: 4660 003 033	
	INSTALLATION DRAWING: 4660 603 009	
	TRANSMISSION DIAGRAMM: 4660 700 067	
	HYDRAULIC DIAGRAMM: 4660 700 068	

Assembly group overview

Material number: 4660.003.030

5 WG 98 /

Page 1 from 1



Graphics	Pos.	Material number	Name	Quantity	Amend. no.	Techn. Info.
466013000100	250	4660.130.001	ENGINE CONNECTION	1		
466013400900	240	4660.134.009	CONVERTER	1		
466010200600	130	4660.102.006	INPUT	1		
466010102100	110	4660.101.021	GEARBOX HOUSING	1		
466010181300	118	4660.101.813	GEARBOX HOUSING	1		
466017501300	184	4660.175.013	COUPLING	1		
466017600300	194	4660.176.003	COUPLING	1		
466010507500	170	4660.105.075	COUPLING	1		
466017100800	230	4660.171.008	COUPLING	1		
466017200200	232	4660.172.002	COUPLING	1		
466017300400	234	4660.173.004	COUPLING	1		
466017400200	236	4660.174.002	COUPLING	1		
466010380500	158	4660.103.805	OUTPUT	1		
466010601900	270	4660.106.019	CONTROL UNIT	1		
466015900700	260	4660.159.007	GEAR SHIFT SYSTEM	1		
466015940100	264	4660.159.401	GEAR SHIFT SYSTEM	1		
466012200900	280	4660.122.009	PRESSURE OIL PUMP	1		
466112500350	340	4661.125.003	INDTRANSMITTER	1		
466112400700	360	4661.124.007	TEMPERATURE SENSOR	1		
466013800200	290	4660.138.002	FILTER	1		

Plant

Page 1 from 1

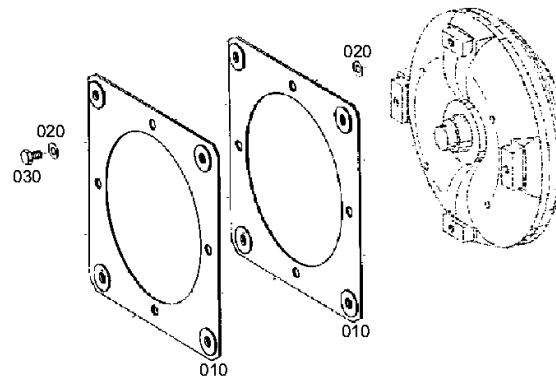
Material number: 4660.003.030

Plant: 466013000100

Material-assembly-group-no: 4660.130.001

5 WG 98 /

ENGINE CONNECTION



Plant

Page 1 from 1

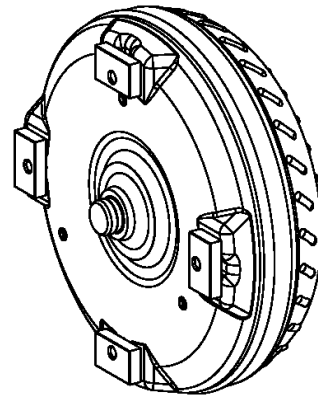
Material number: 4660.003.030

Plant: 466013400900

Material-assembly-group-no: 4660.134.009

5 WG 98 /

CONVERTER



010

Plant

Page 1 from 1

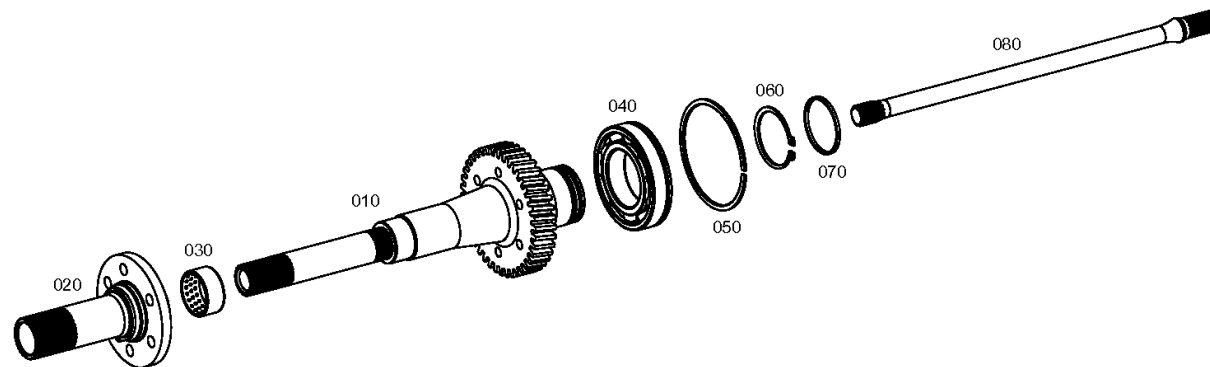
Material number: 4660.003.030

Plant: 466010200600

Material-assembly-group-no: 4660.102.006

5 WG 98 /

INPUT



Plant

Page 1 from 1

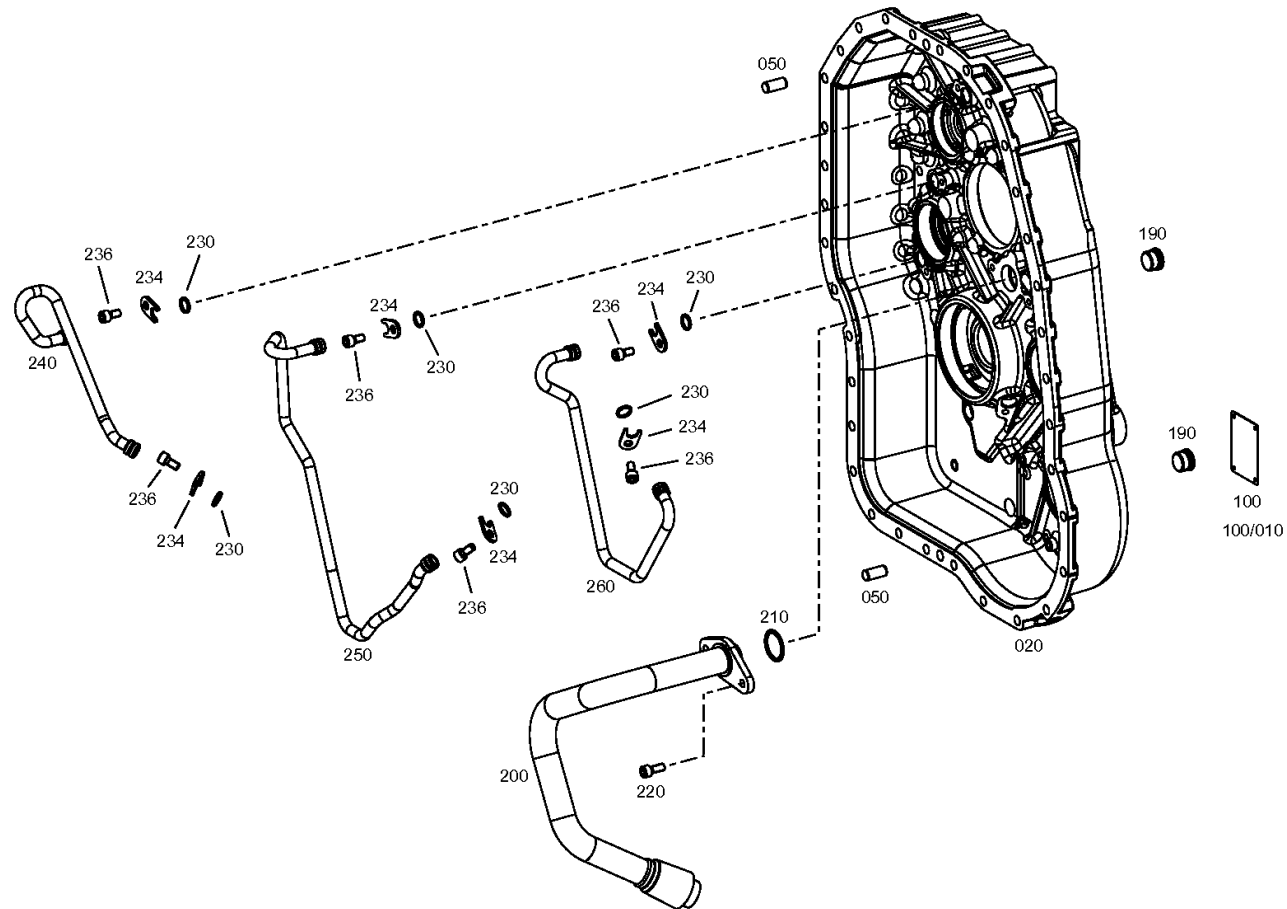
Material number: 4660.003.030

Plant: 466010102100

Material-assembly-group-no: 4660.101.021

5 WG 98 /

GEARBOX HOUSING



Plant

Page 1 from 1

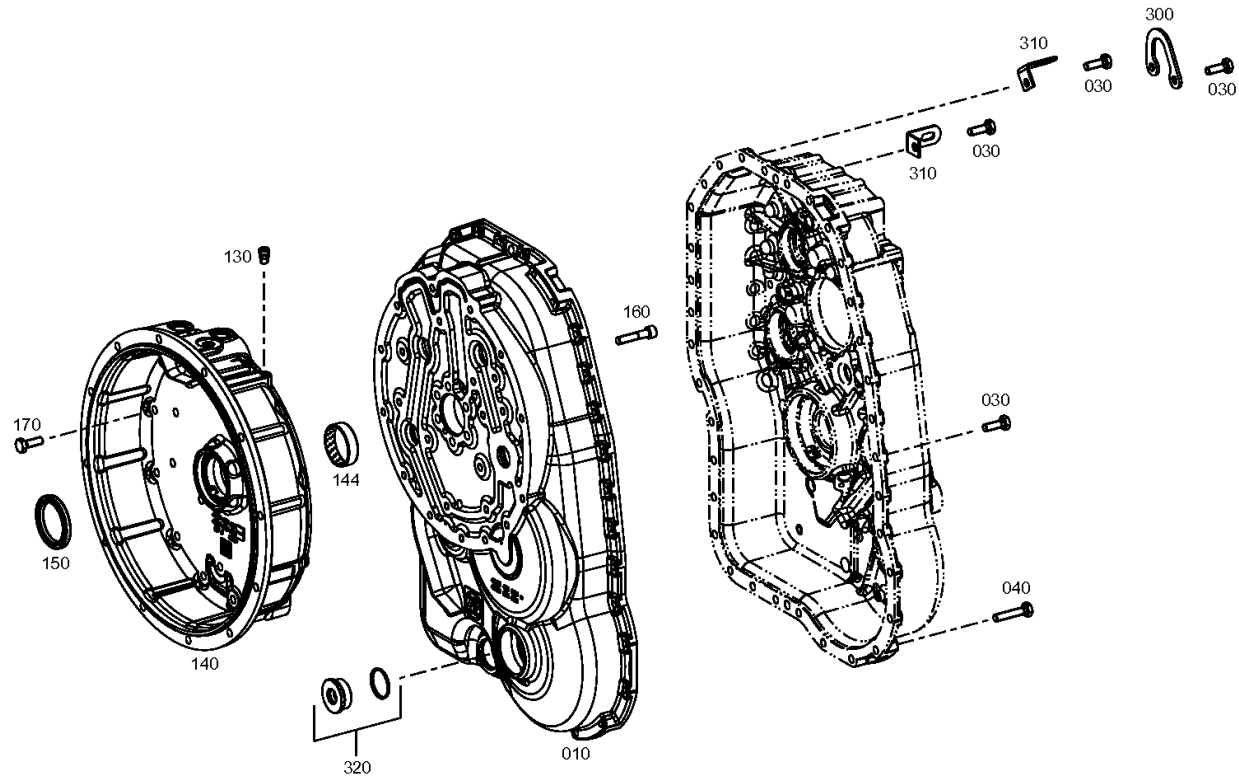
Material number: 4660.003.030

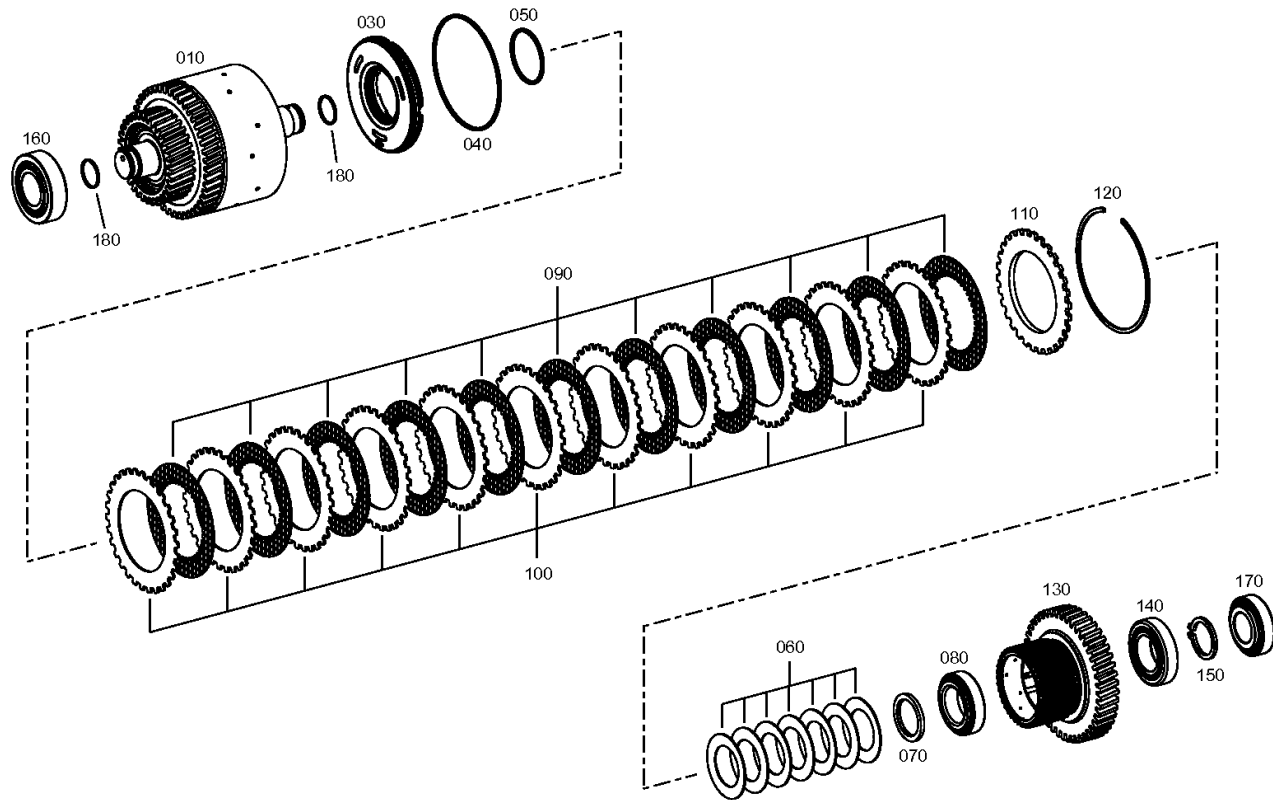
Plant: 466010181300

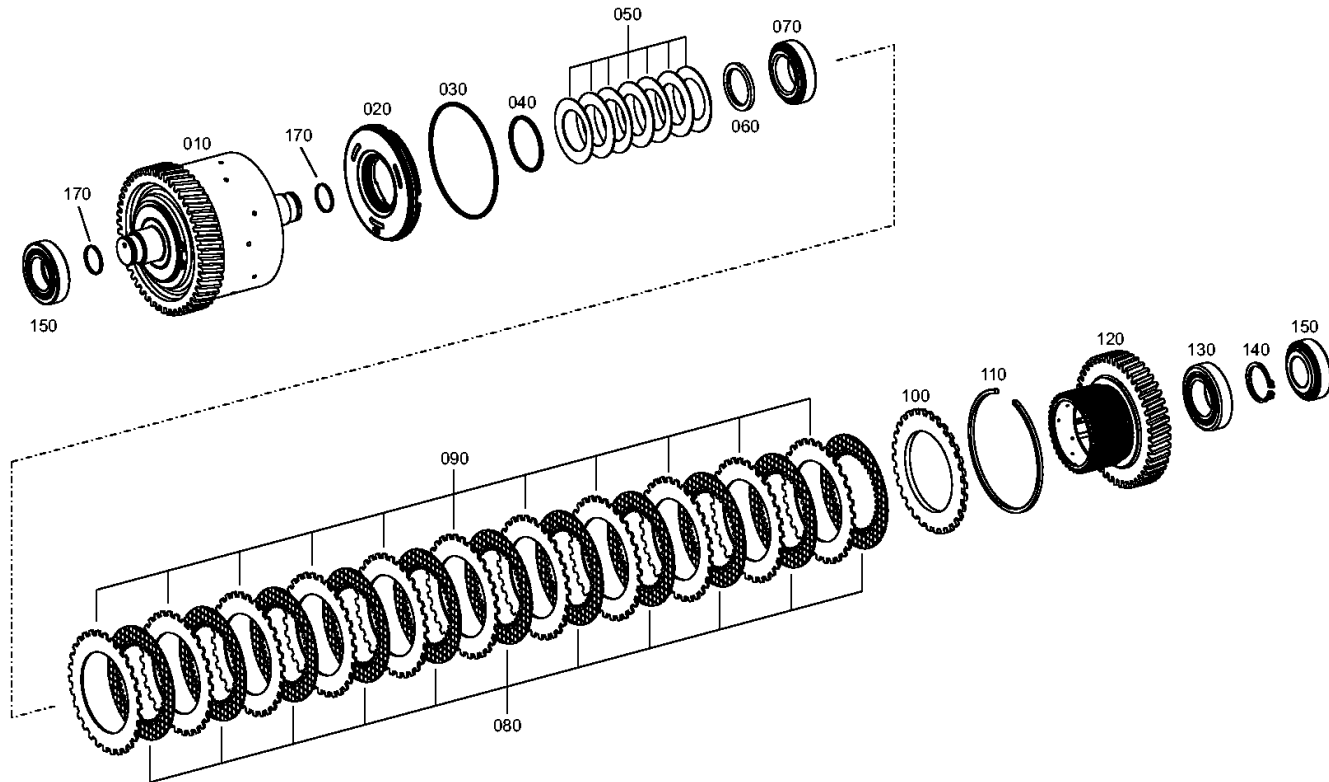
Material-assembly-group-no: 4660.101.813

5 WG 98 /

GEARBOX HOUSING







Plant

Page 1 from 1

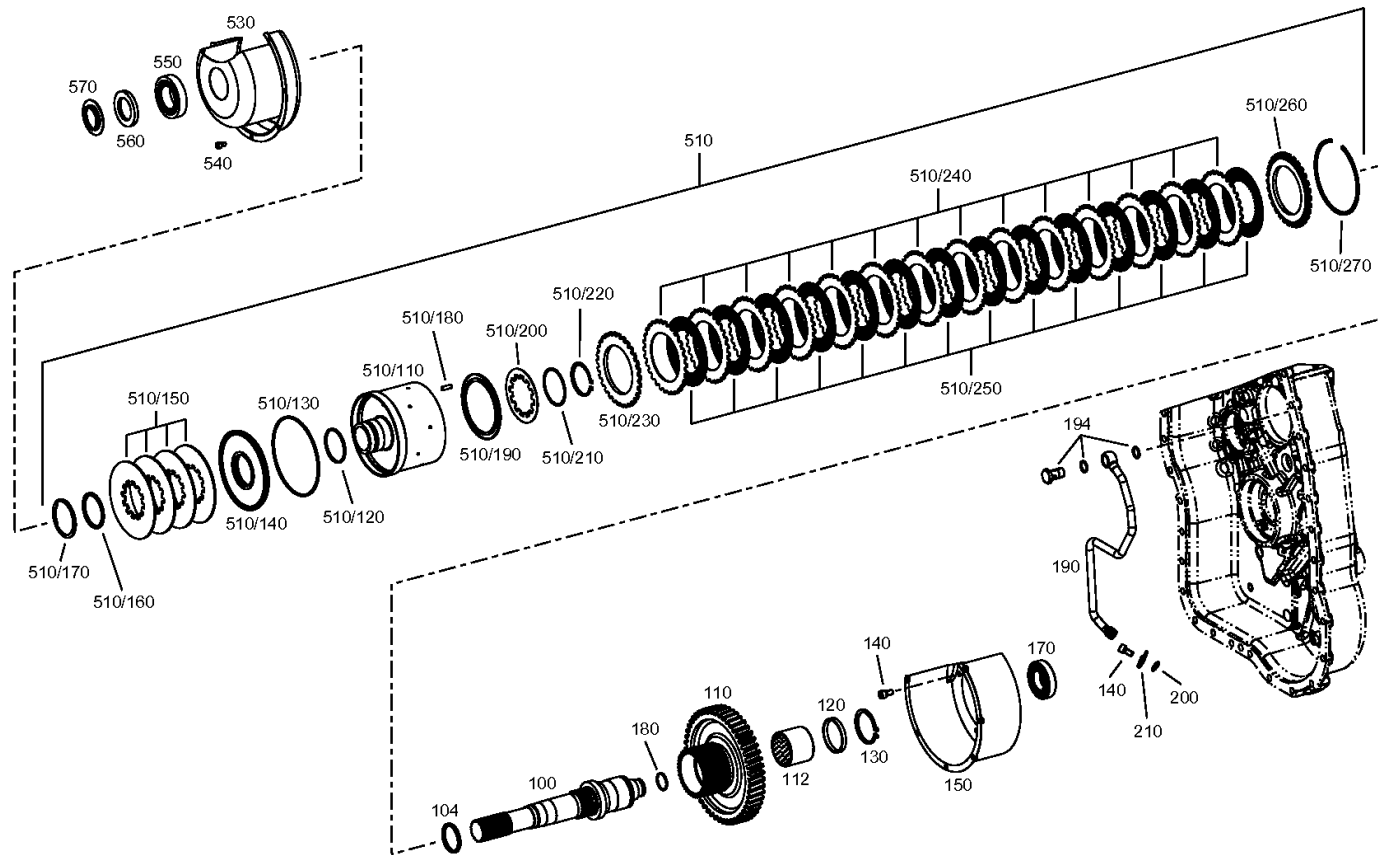
Material number: 4660.003.030

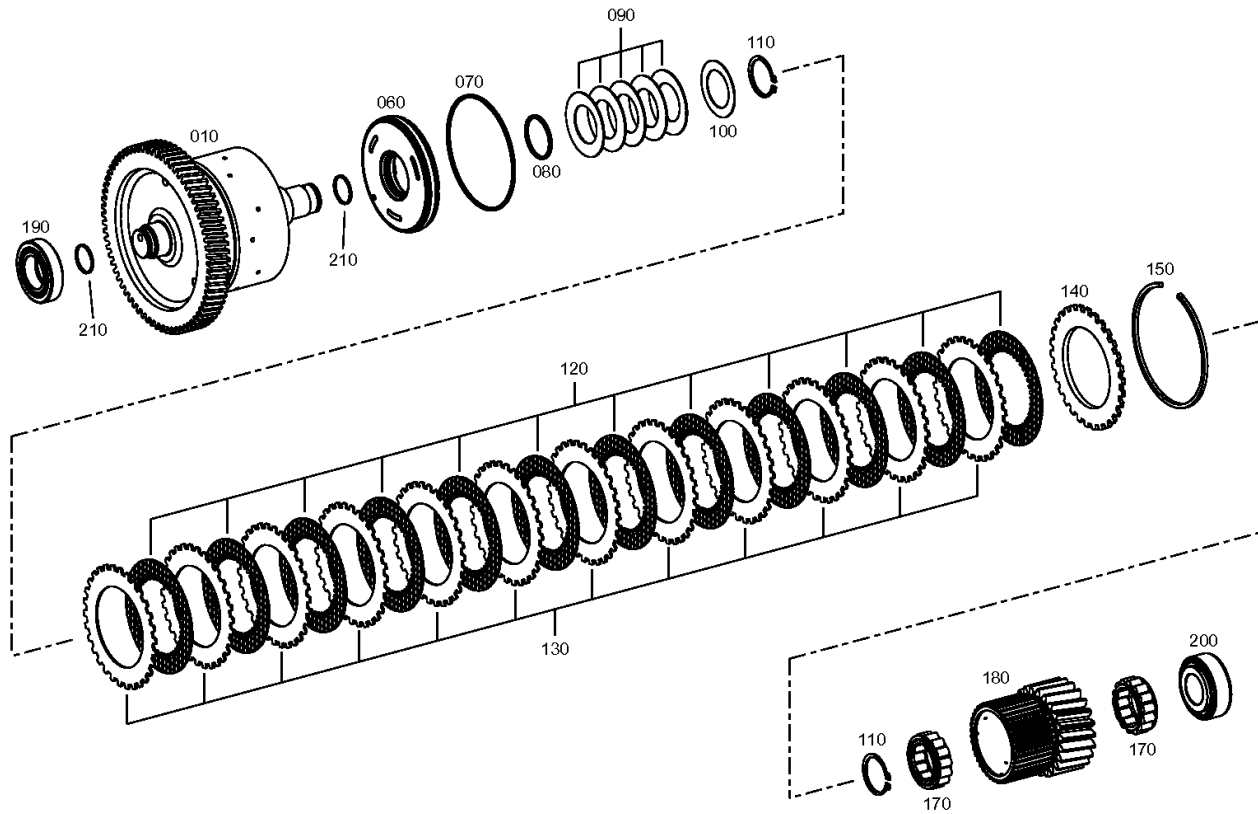
Plant: 466010507500

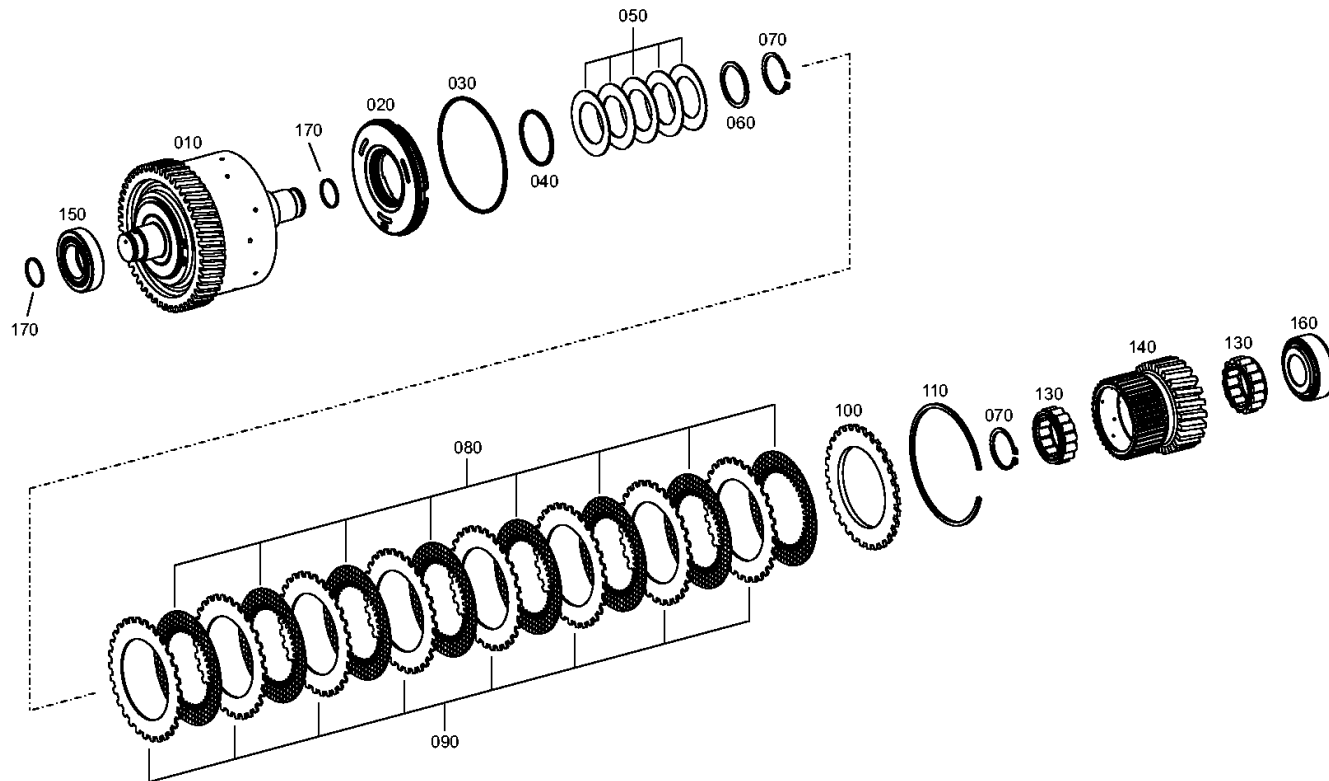
Material-assembly-group-no: 4660.105.075

5 WG 98 /

COUPLING







Parts list

Page 2 from 2

Material number: 4660.003.030

5 WG 98 /

Plant: 466017200200

Material-assembly-group-no: 4660.172.002



Pos.	Material number	Customer material	Name	Quantity	ME	Amend. no.	Techn. Info.	Weight	Rep kit	Alternative material
---	1307.203.009	332/Y2244	TAROLLBEARING	1				0,000		
170	0734.401.296	332/Y1255	PISTON RING	2			30X2	0,001		

Plant

Page 1 from 1

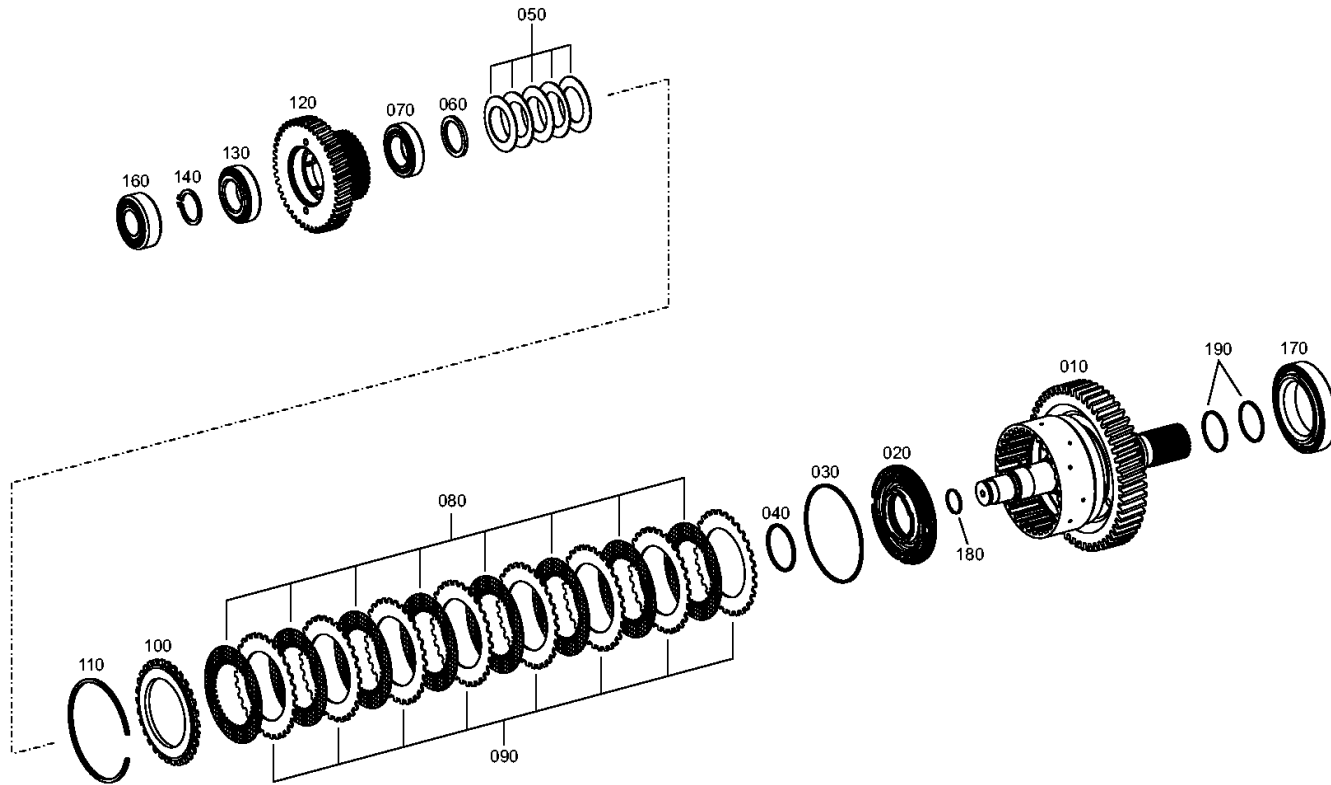
Material number: 4660.003.030

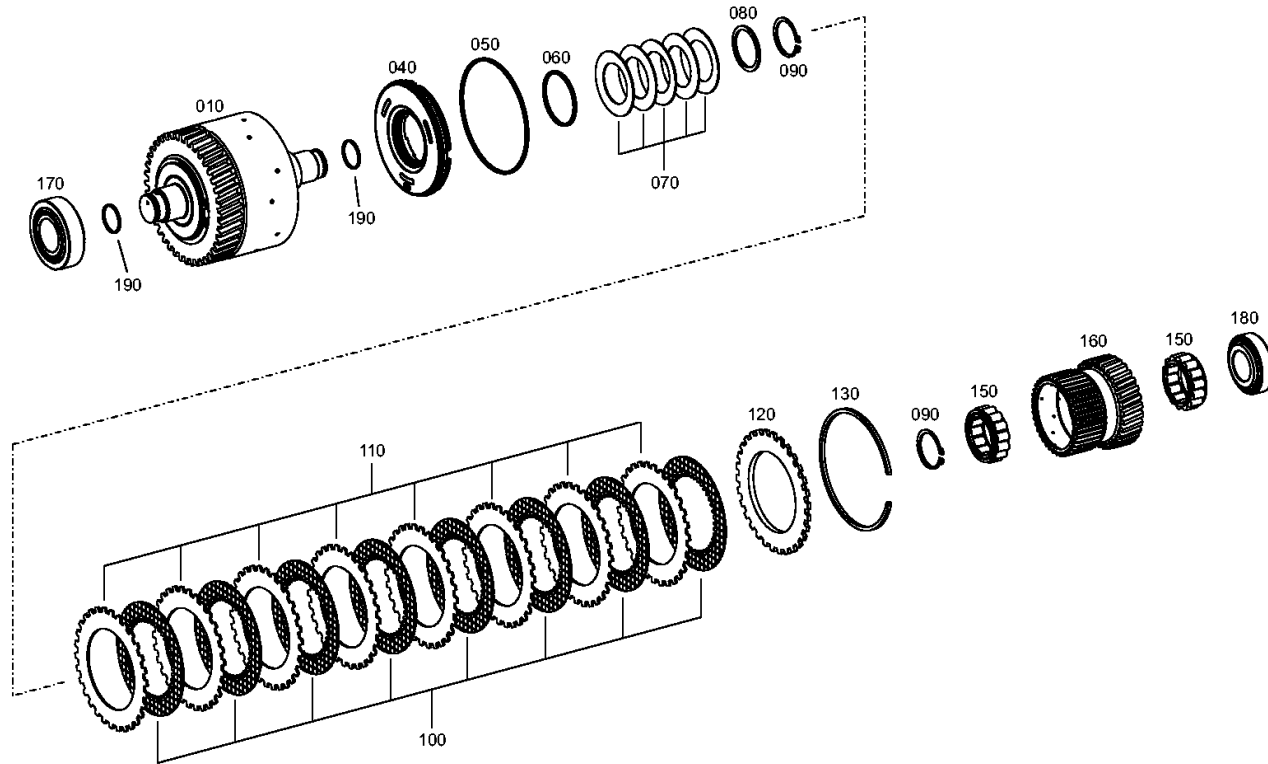
Plant: 466017300400

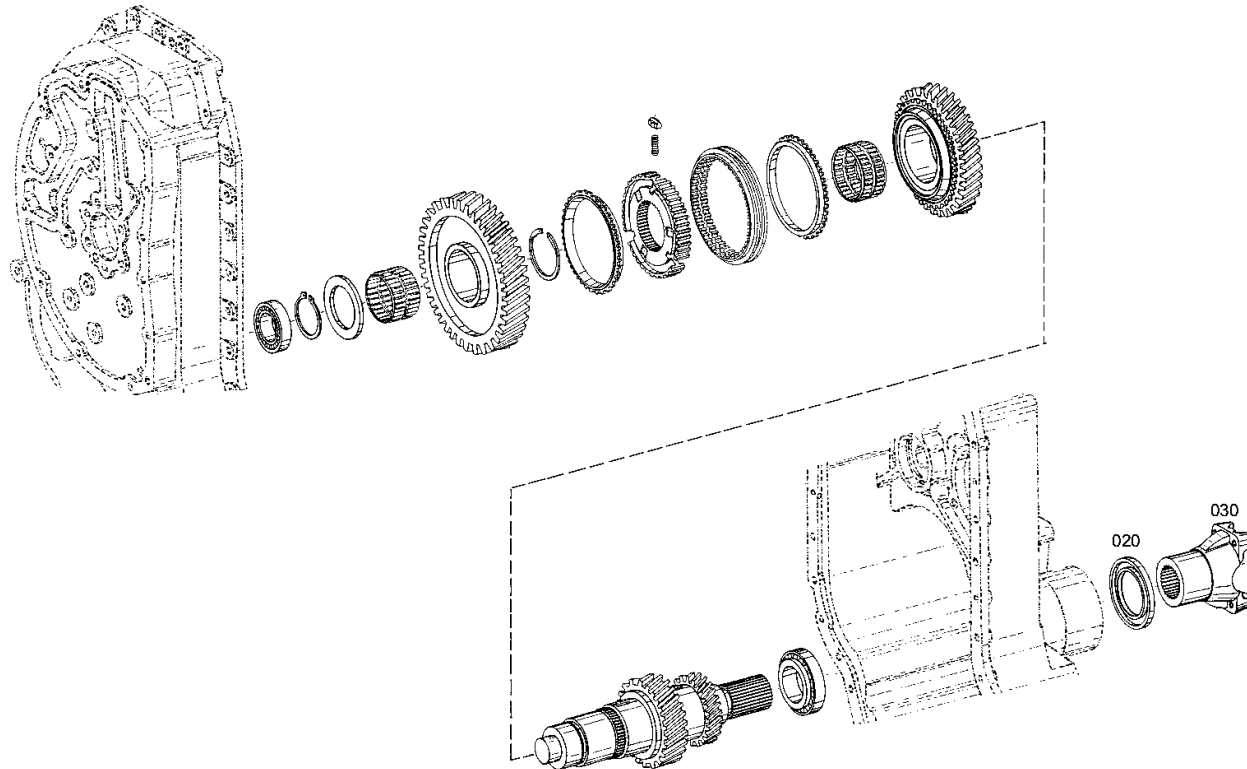
Material-assembly-group-no: 4660.173.004

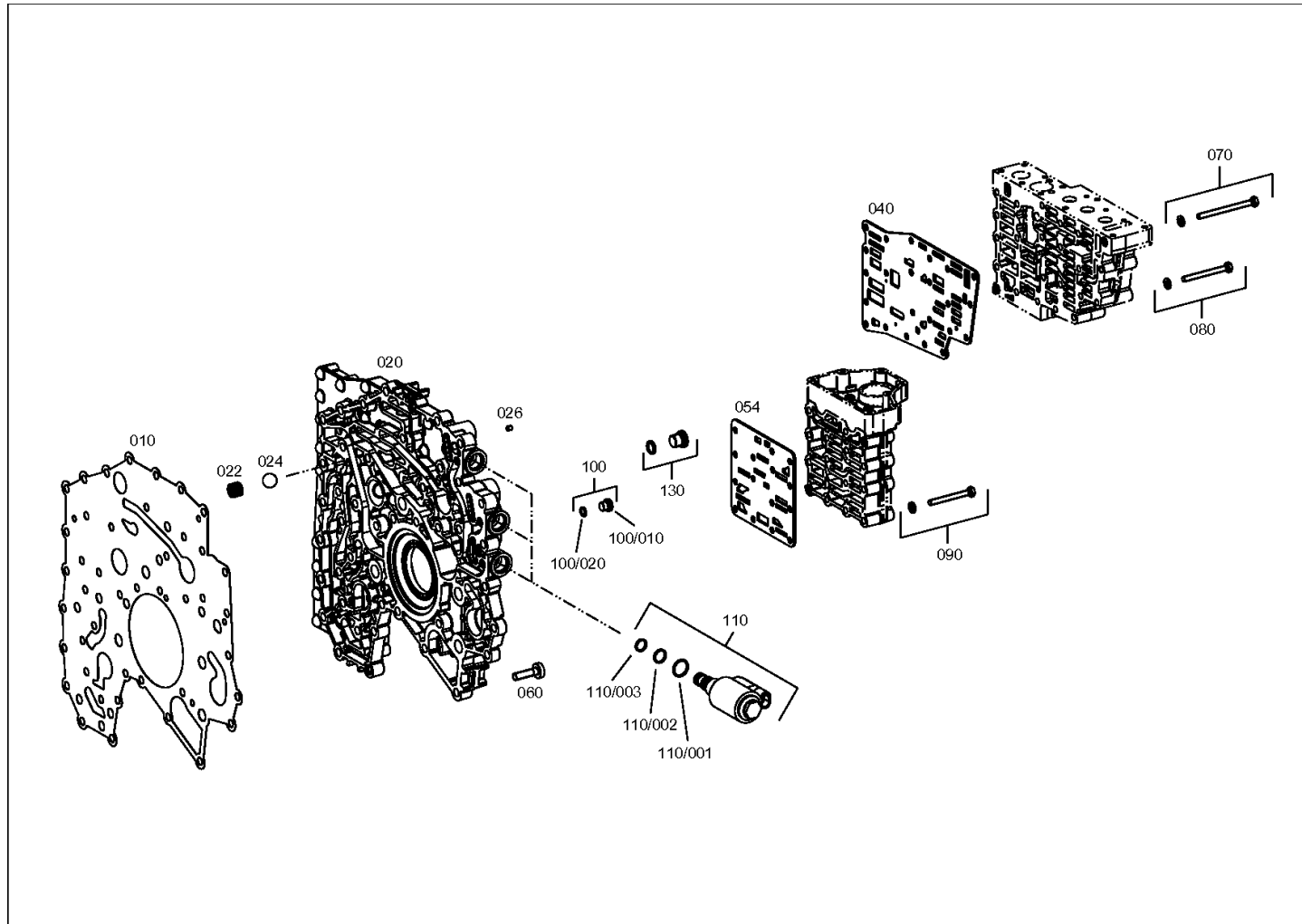
5 WG 98 /

COUPLING









Plant

Page 1 from 1

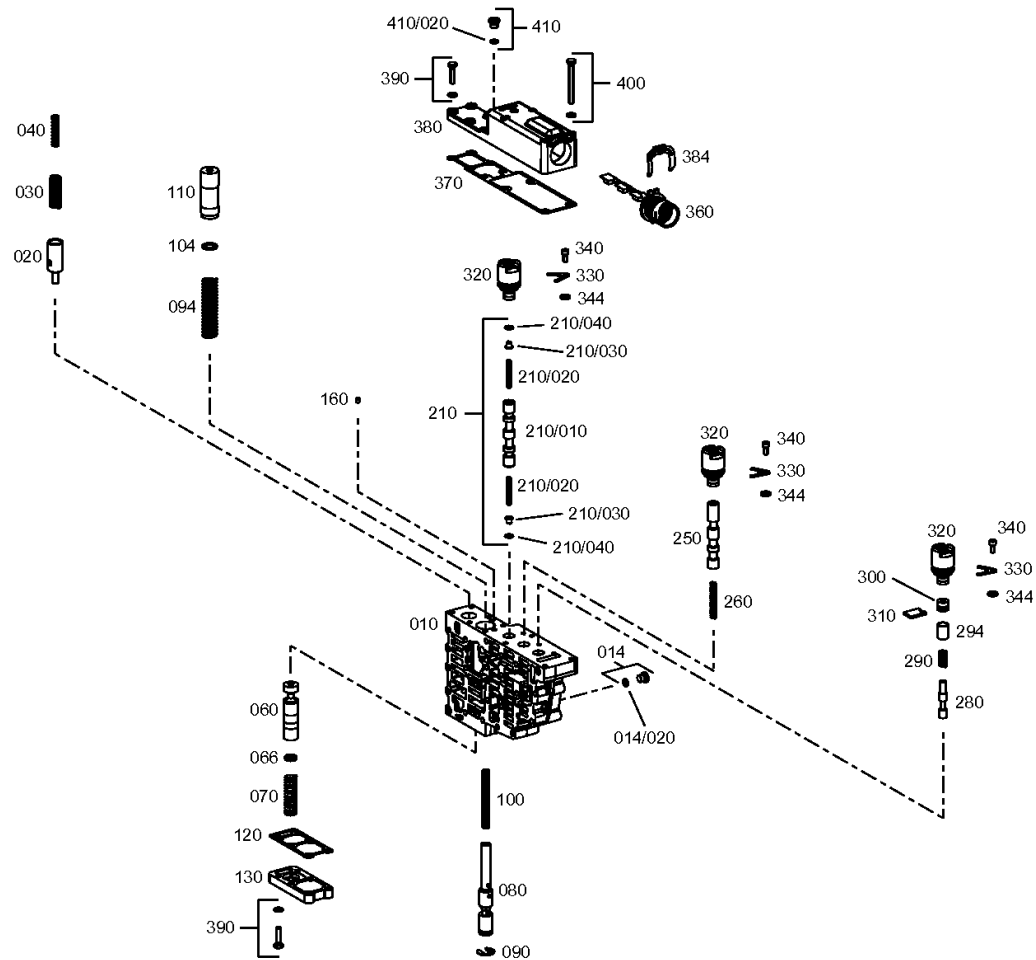
Material number: 4660.003.030

Plant: 466015900700

Material-assembly-group-no: 4660.159.007

5 WG 98 /

GEAR SHIFT SYSTEM



Plant

Page 1 from 1

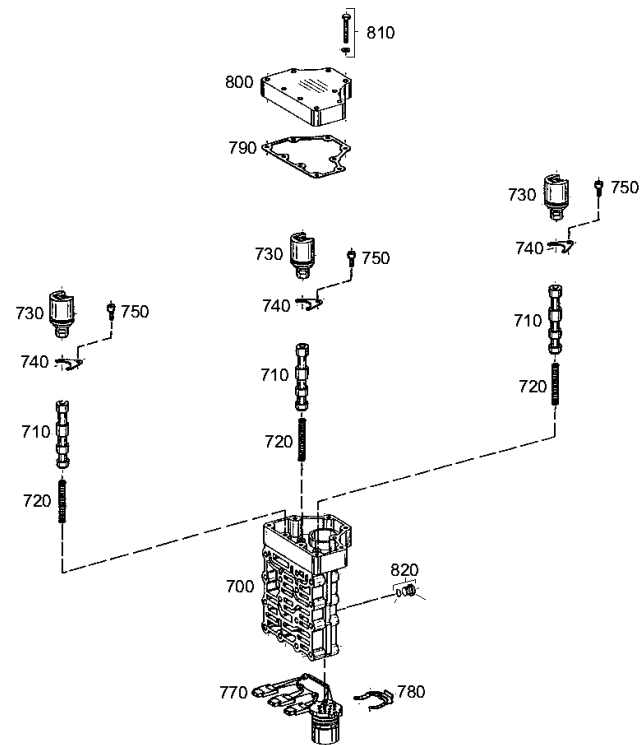
Material number: 4660.003.030

Plant: 466015940100

Material-assembly-group-no: 4660.159.401

5 WG 98 /

GEAR SHIFT SYSTEM



Plant

Page 1 from 1

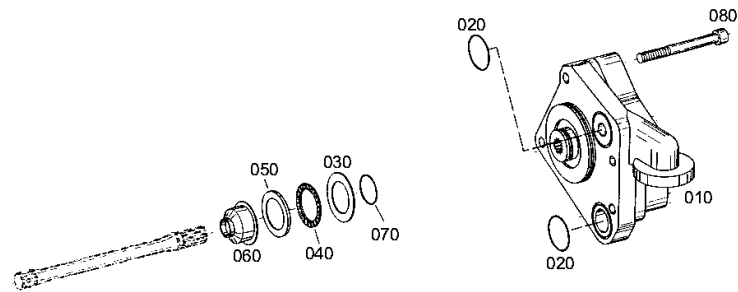
Material number: 4660.003.030

Plant: 466012200900

Material-assembly-group-no: 4660.122.009

5 WG 98 /

PRESSURE OIL PUMP



Plant

Page 1 from 1

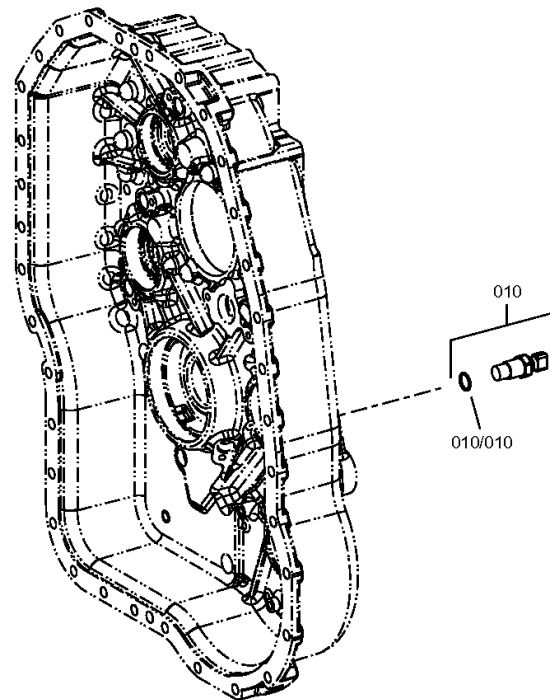
Material number: 4660.003.030

Plant: 466112500350

Material-assembly-group-no: 4661.125.003

5 WG 98 /

INDTRANSMITTER



Plant

Page 1 from 1

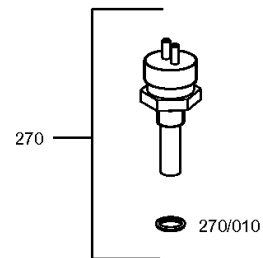
Material number: 4660.003.030

Plant: 466112400700

Material-assembly-group-no: 4661.124.007

5 WG 98 /

TEMPERATURE SENSOR



Plant

Page 1 from 1

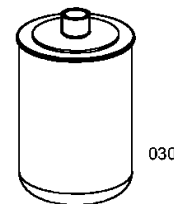
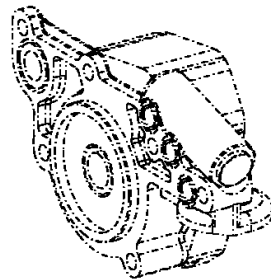
Material number: 4660.003.030

Plant: 466013800200

Material-assembly-group-no: 4660.138.002

5 WG 98 /

FILTER



030