



# Spare Parts Catalog

4 WG 94

Material number: 4661.004.010

Current date: 22.03.2021

ZF Friedrichshafen AG  
Hauptverwaltung  
80038 Friedrichshafen  
Deutschland

Telefon: +49 7541 77-0

Telefax: +49 7541 77-908000

[www.zf.com](http://www.zf.com)

zuständiges Werk:  
Passau

# Notes relating to the spare parts catalog

## Setup of the spare parts catalog

- Cover sheet
- Technical Cover (only in SDM print)
- Overview of figures
- Figure
- Associated parts list
- Next figure
- Associated parts list
- ...

## Figure and parts list



## Overview of figures

Bildtafel Figure	Sachnummer Product number	Benennung (Description)	Technische Info Technical info	Description (Benennung)	Menge Quantity	Einheit Unit
068.08.17	1316.170.001	AUSLEGER	WL	SHIFT TURRET	1	Stk
068.08.06	1316.170.031	DECKEL	WL*H-H *VM	COVER	1	Stk
068.08.14	1316.170.808	DECKEL	WL*AUSL+GEH*H-H*HF160N	COVER	1	Stk
08	1316.170.441	ANSCHLUSSTEILE	WL*NG-VORB*RG-SCHL*168N *BAJONETT	CONNECTING PARTS	1	Stk

The "gap" indicates that there is no separate graphics panel (poster) for this assembly  
The parts of this assembly are shown with the same mid-section number on the figure

### 1 Positions and subpositions

Pos.	Sachnummer Product number	Benennung (Description)	Technische Info Technical info	Description (Benennung)	Menge Quantity	Einheit Unit
0370	1315.201.054	RUECKLAUFBOLZEN	KPL.16S151*SG*L= 79	REV.IDLER SHAFT	1	Stk
/0120	0631.329.293	SPANNSTIFT		SLOT. PIN	1	Stk

Positions marked with "/" are the individual items of a completion  
For example: Position 0370 contains a centering pin with the position /0120

### 2 Combinations with standardized parts

Pos.	Sachnummer Product number	Benennung (Description)	Technische Info Technical info	Description (Benennung)	Menge Quantity	Einheit Unit
0630		VERSCHL.SCHR.		SCREW PLUG	1	Stk
	0636.302.067	VERSCHL.SCHR.		SCREW PLUG	1	Stk
	0634.801.249	DICHTRING	A 26 X 31	SEALING RING	1	Stk

The parts list shows the components included in the combination of standardized parts

### 3 Depiction of position/item number on the figure and in the parts list

01.620 - on the figure      01 relates to the assembly in which the position is included. Due to program-related reasons, it is shown on the figure.

0620 - in the parts list

Pos.	Sachnummer Product number	Benennung (Description)	Technische Info Technical info	Description (Benennung)	Menge Quantity	Einheit Unit
0620	0732.040.736	DRUCKFEDER		COMPRESSION SPRING	1	Stk

### 4 \*-Positions

Positions marked with an \* are optional i.e. inclusion in the parts list is not mandatory.  
The following note is shown on the figure

je nach Stücklistenausführung  
depending on spec. number  
\*  
suivant la nomenclature  
secondo la distinta base

### 5 Parts, dotted display

Parts with dotted display on the figure are only used for orientation of other parts

# Technical Cover

Page 1 from 1

Material number: 4661.004.010



4 WG 94 /

Pos.	Information	Amendment number
	CUSTOMER:	
	BESTELL-NR: OHNE	
	UEBERSETZUNGEN: F 4.932/2.681/1.295/0.704	
	R 3.900/2.120/1,313	
	FLANSCH: PTO SEITIG DANA 1410	
	NABENABTRIEB SAE B-B 16/32 DP.15T	
	DRAWINGS:	
	FAHRSCHALTER:6006 630 041(0)	
	EINBAU: 4661 604 002(0)	
	SECTION DRAWING: 4661 004 011(0)	
	GESAMT-TROCKENMASSE: 235KG	
	LACKIERUNG: MAISGELB RAL1006*VORSCHRIFT	
	VEHICLE DATA:	
	ART:BAGGERLADER TBL 70	
	ZUL.GES.GEWICHT: SOLO ....	
	R.DYN: .638*V MAX: CA. 40 KM/H	
	HA: l=18,63	
	J.DEERE / *KW../....*N.M.../...	
	DRAWINGS:	
	MOTOR-ANBAU: 4660 500 006	
	ZUGKRAFT-DIAGRAMM: 4660 706 063	
	ZUGKRAFT-DIAGRAMM:	
	IDENT-NR:E 384.100.000.020	
	SCHALTPLAN	
	STROMLAUFPLAN: 6006 700 596	
	HYDRAULIKSCHEMA: 4661 700 002	
	GETRIEBESCHEMA: 4661 700 006	

# Assembly group overview

Page 1 from 2

Material number: 4661.004.010



4 WG 94 /

Graphics	Pos.	Material number	Name	Quantity	Amend. no.	Techn. Info.
466113000100	250	4661.130.001	ENGINE CONNECTION	1		
466113400400	240	4661.134.004	CONVERTER	1		
466110201900	130	4661.102.019	INPUT	1		
466110102300	110	4661.101.023	TRANSMISSION HOUSING	1		
466110180700	120	4661.101.807	TRANSMISSION HOUSING	1		
466117500800	180	4661.175.008	COUPLING	1		
466110501000	230	4661.105.010	COUPLING	1		
466117101000	200	4661.171.010	COUPLING	1		
466117202300	210	4661.172.023	COUPLING	1		
466117300600	215	4661.173.006	COUPLING	1		
466117401100	220	4661.174.011	COUPLING	1		
466110300100	160	4661.103.001	OUTPUT	1		
466110600200	270	4661.106.002	CONTROL UNIT	1		
466112200200	280	4661.122.002	PRESSURE OIL PUMP	1		
466112500300	235	4661.125.003	INDUCTIVE SENSOR	1		
466113800100	290	4661.138.001	FILTER	1		

# Assembly group overview

Page 2 from 2

Material number: 4661.004.010



4 WG 94 /

Graphics	Pos.	Material number	Name	Quantity	Amend. no.	Techn. Info.
466119800100	20	4661.198.001	PERIPHERALS	1		

# Plant

Page 1 from 1

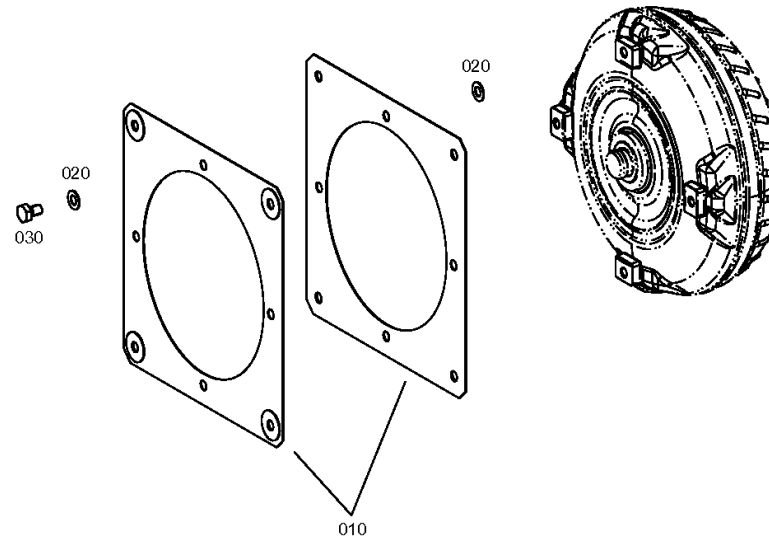
Material number: 4661.004.010

Plant: 466113000100

Material-assembly-group-no: 4661.130.001



4 WG 94 /  
ENGINE CONNECTION



# Plant

Page 1 from 1

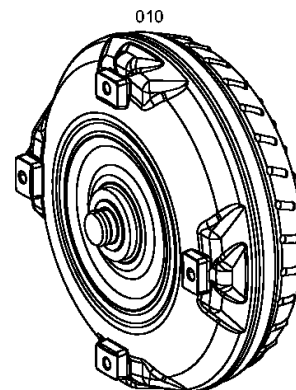
Material number: 4661.004.010

Plant: 466113400400

Material-assembly-group-no: 4661.134.004



4 WG 94 /  
CONVERTER



# Plant

Page 1 from 1

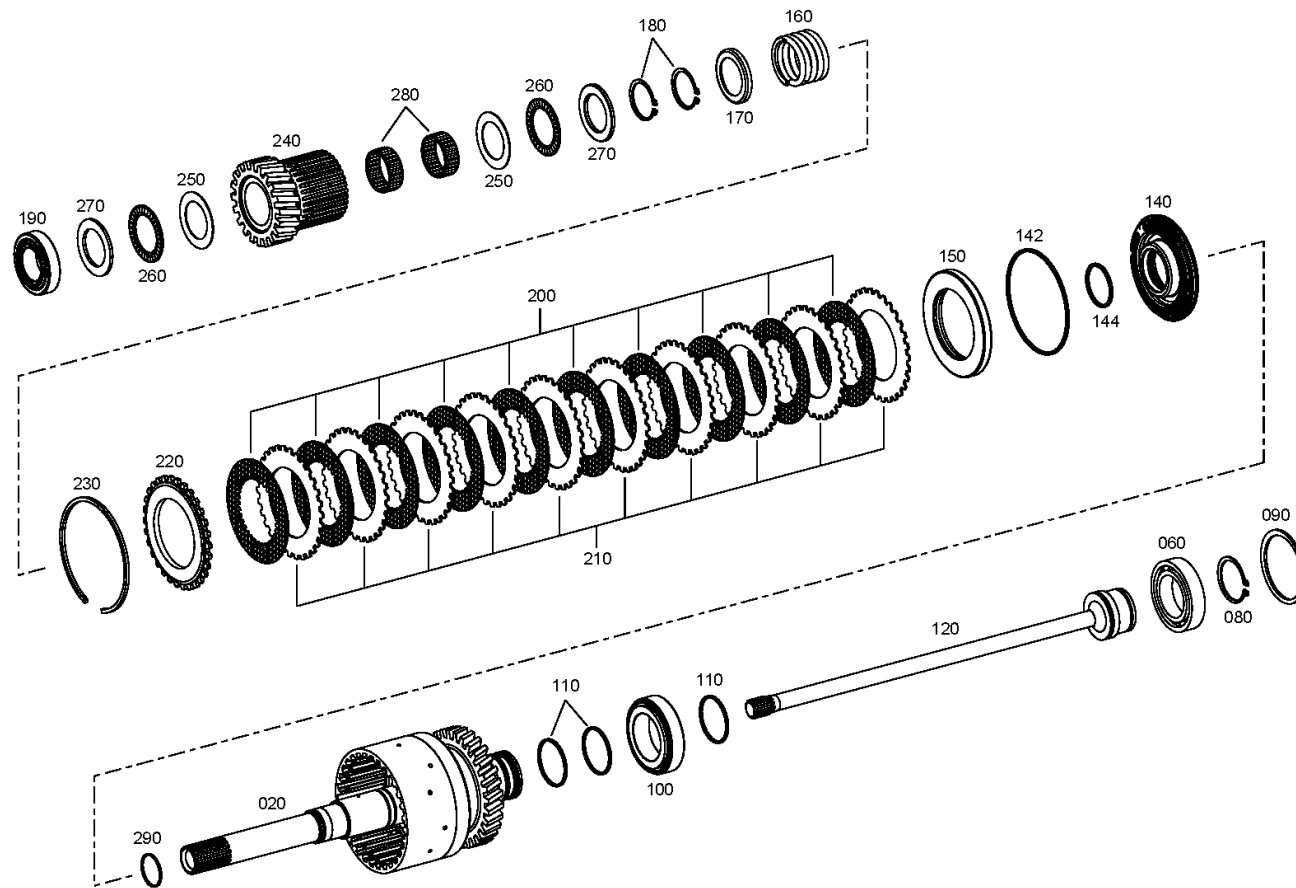
Material number: 4661.004.010

Plant: 466110201900

Material-assembly-group-no: 4661.102.019



4 WG 94 /  
INPUT





# Plant

Page 1 from 1

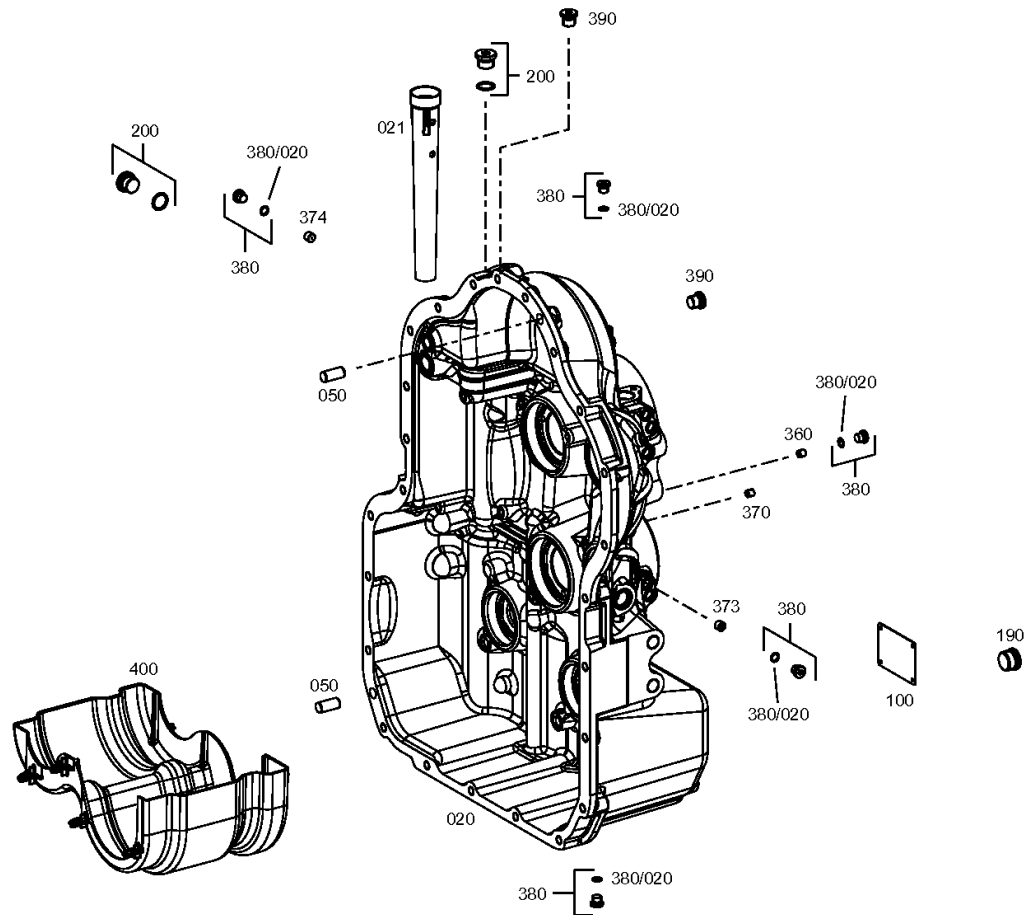
Material number: 4661.004.010

Plant: 466110102300

Material-assembly-group-no: 4661.101.023



4 WG 94 /  
TRANSMISSION HOUSING



# Plant

Page 1 from 1

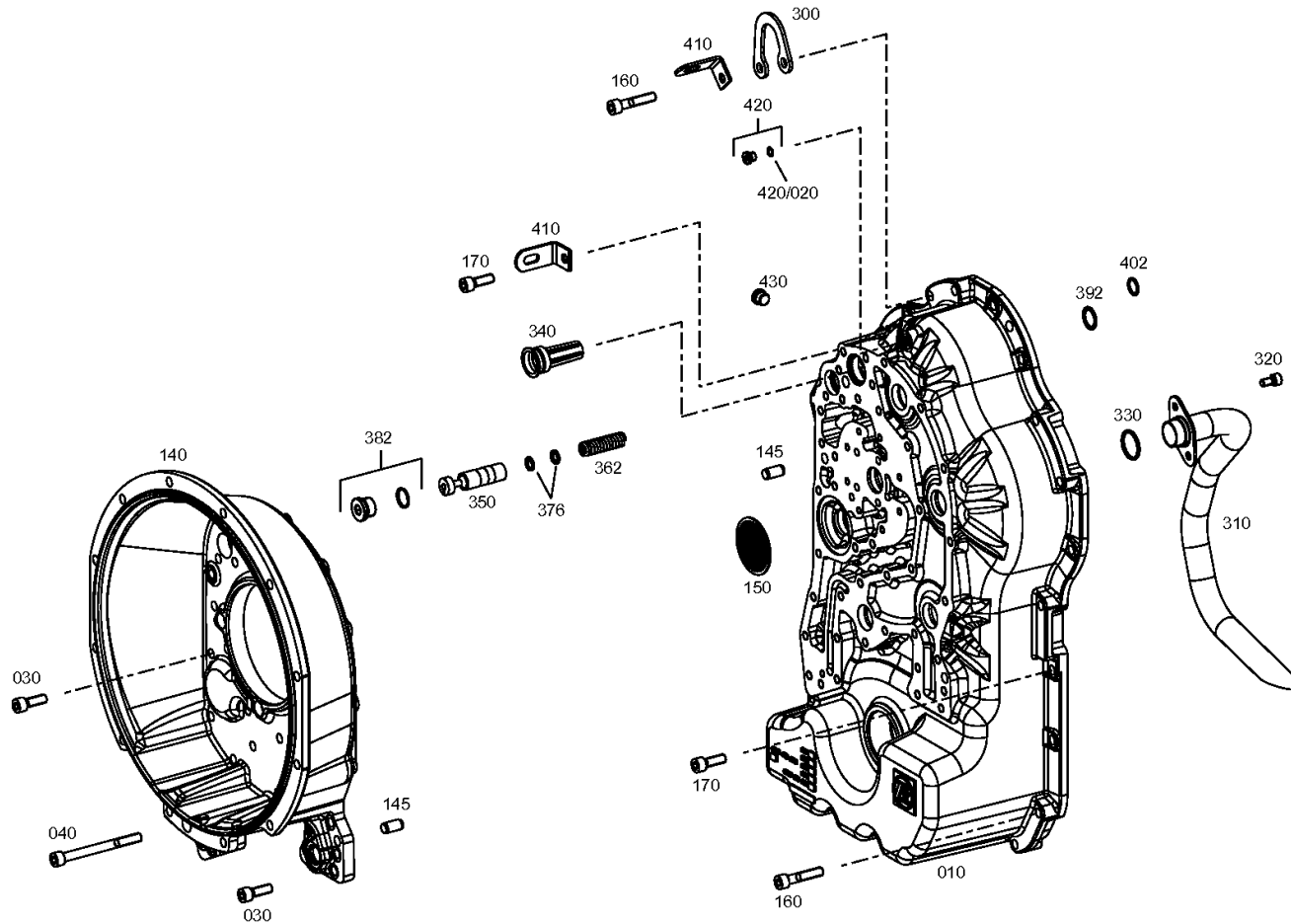
Material number: 4661.004.010

Plant: 466110180700

Material-assembly-group-no: 4661.101.807



4 WG 94 /  
TRANSMISSION HOUSING





# Plant

Page 1 from 1

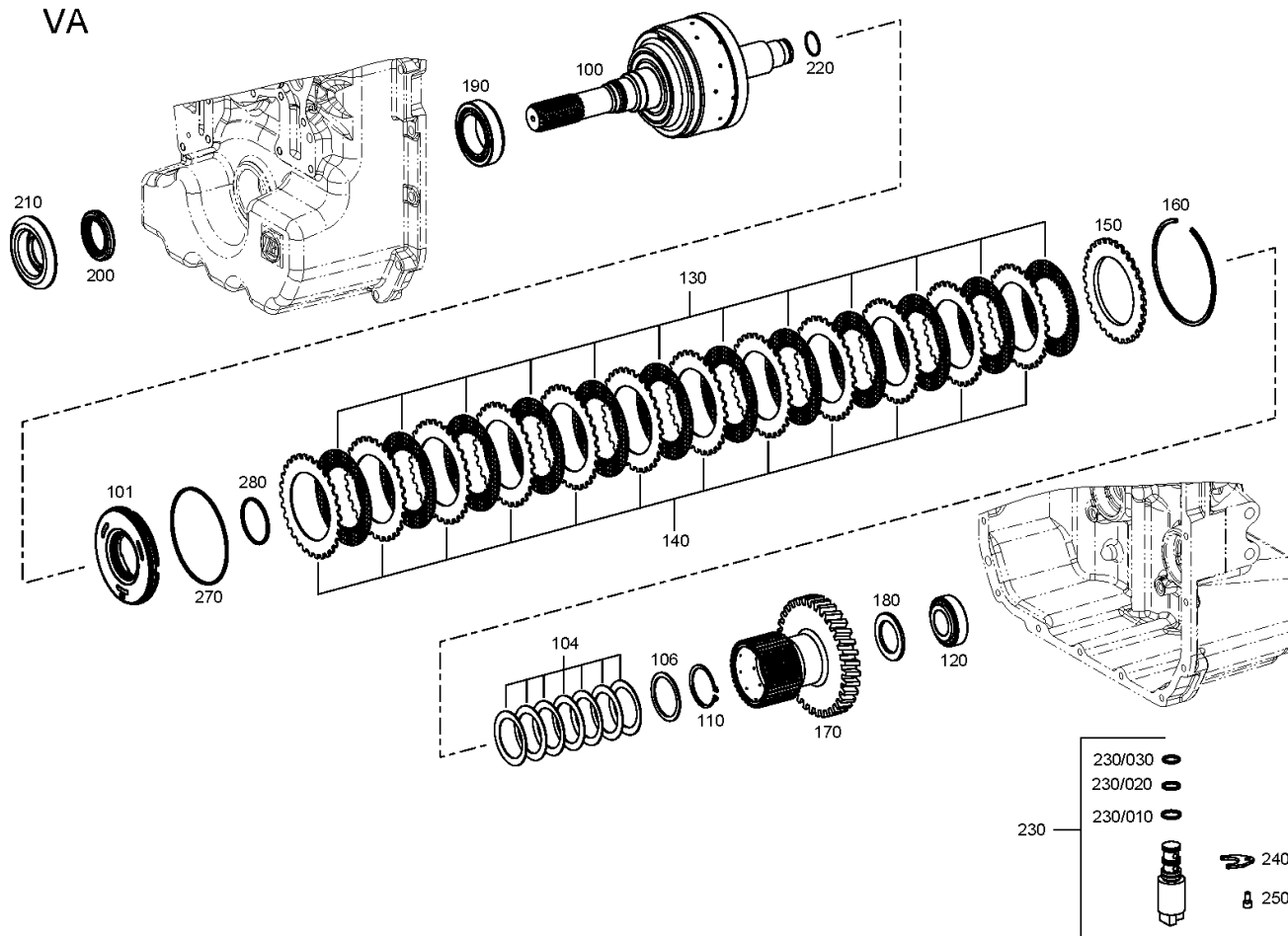
Material number: 4661.004.010

Plant: 466110501000

Material-assembly-group-no: 4661.105.010



4 WG 94 /  
COUPLING



# Plant

Page 1 from 1

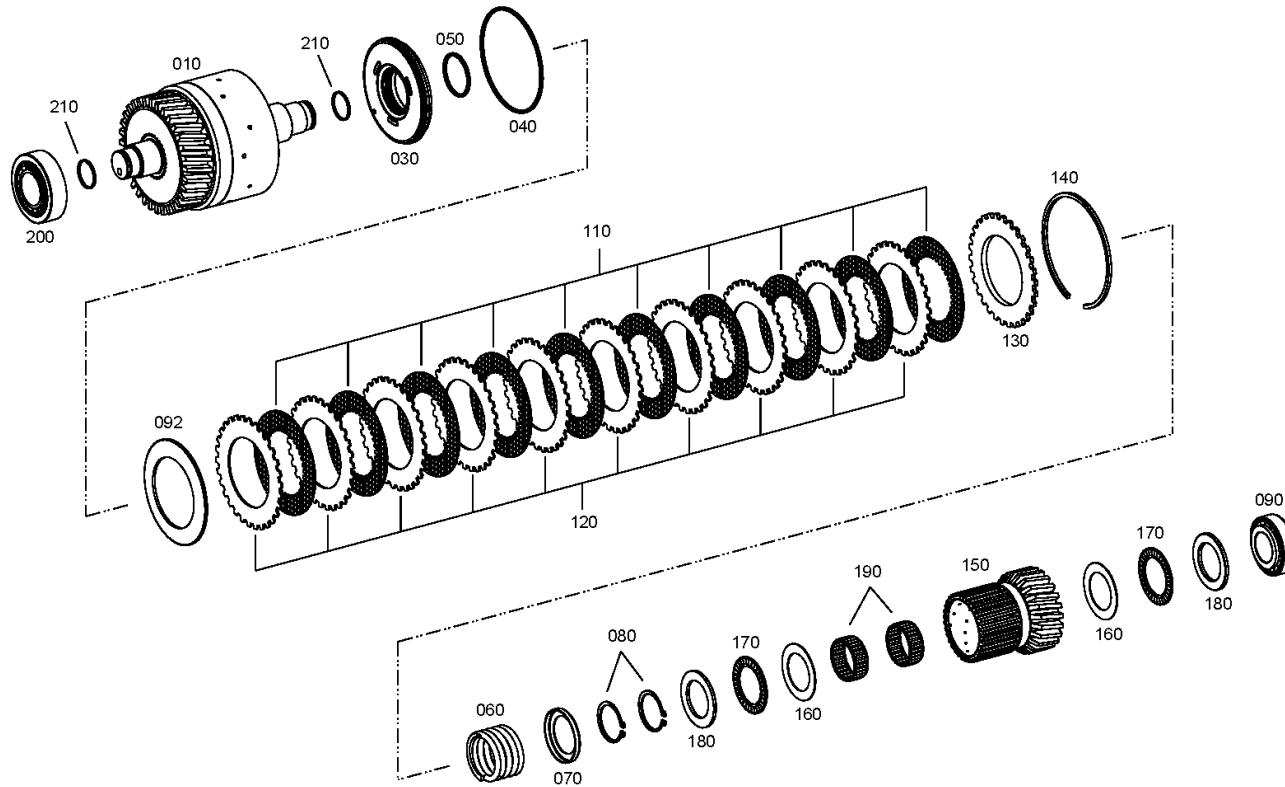
Material number: 4661.004.010

Plant: 466117101000

Material-assembly-group-no: 4661.171.010



4 WG 94 /  
COUPLING



# Plant

Page 1 from 1

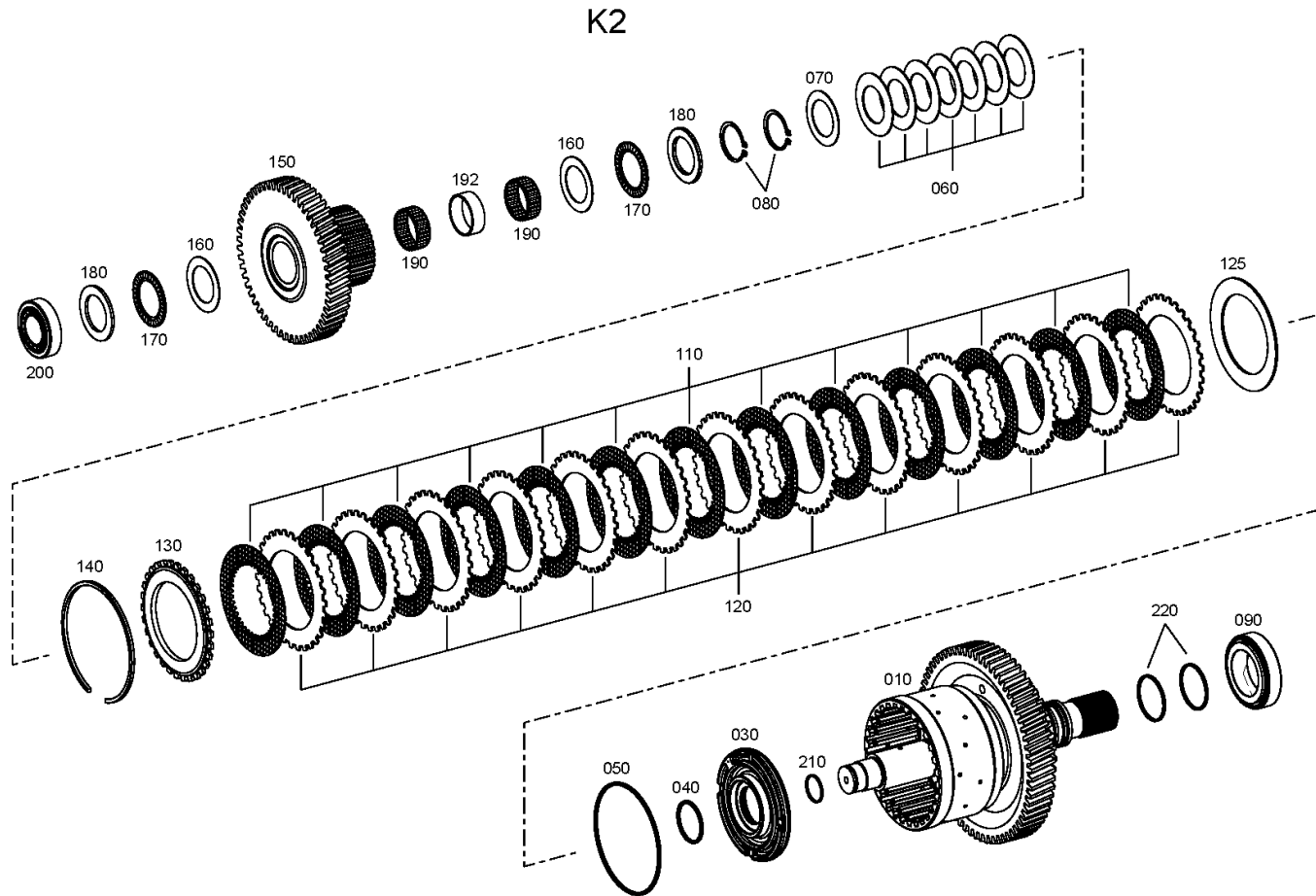
Material number: 4661.004.010

Plant: 466117202300

Material-assembly-group-no: 4661.172.023



4 WG 94 /  
COUPLING



# Plant

Page 1 from 1

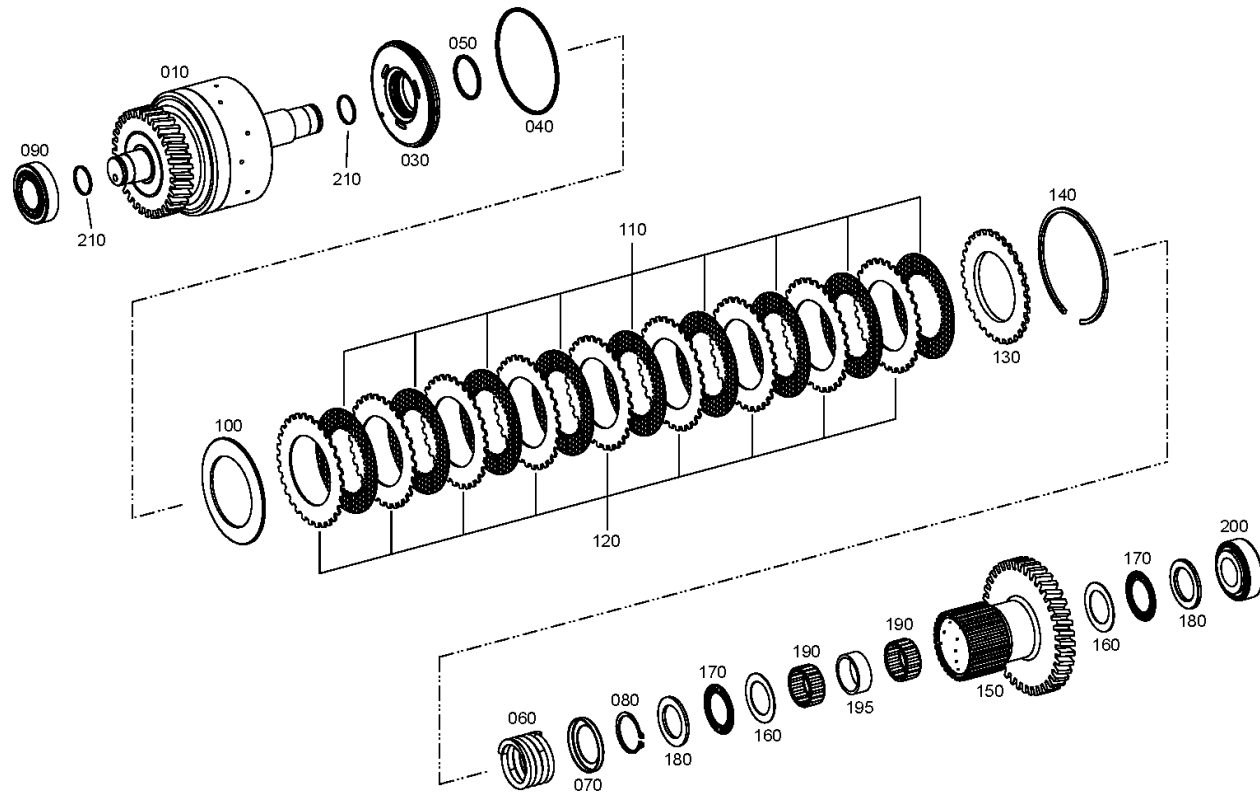
Material number: 4661.004.010

Plant: 466117300600

Material-assembly-group-no: 4661.173.006



4 WG 94 /  
COUPLING



# Plant

Page 1 from 1

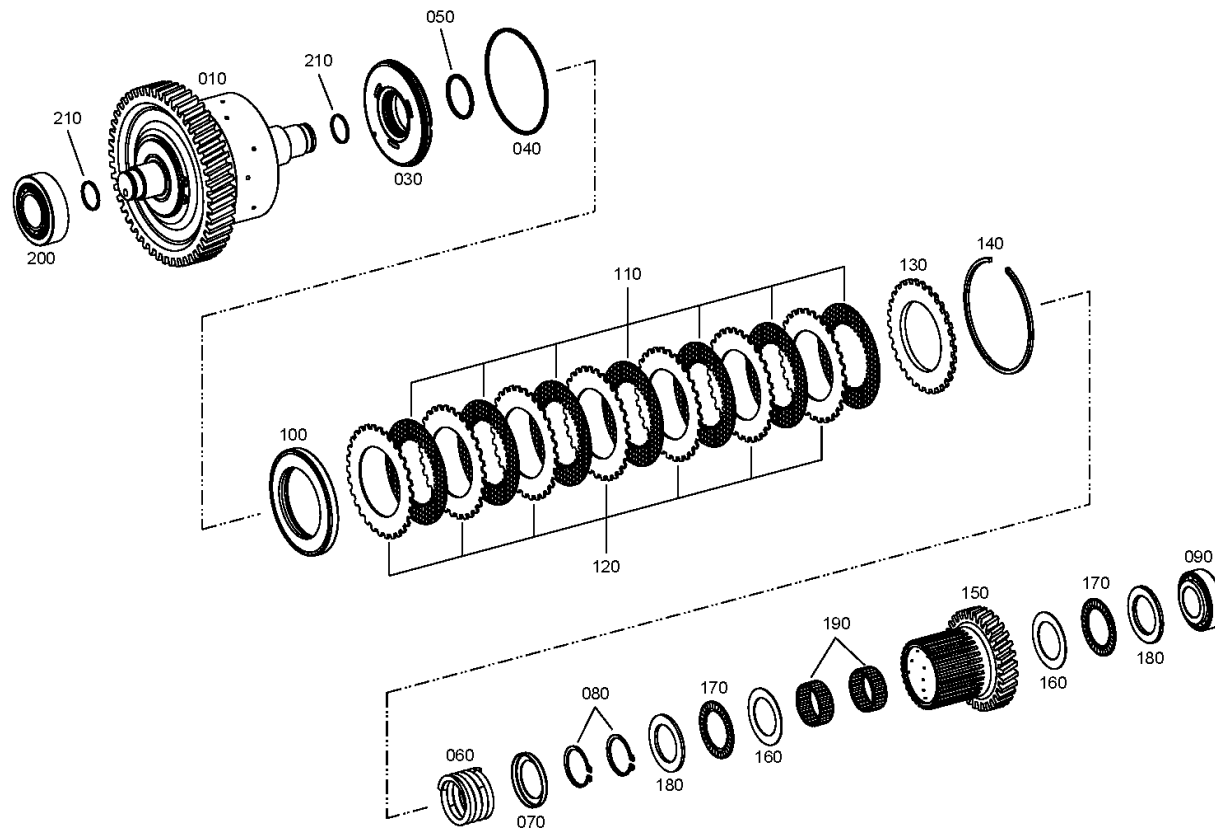
Material number: 4661.004.010

Plant: 466117401100

Material-assembly-group-no: 4661.174.011



4 WG 94 /  
COUPLING





# Plant

Page 1 from 1

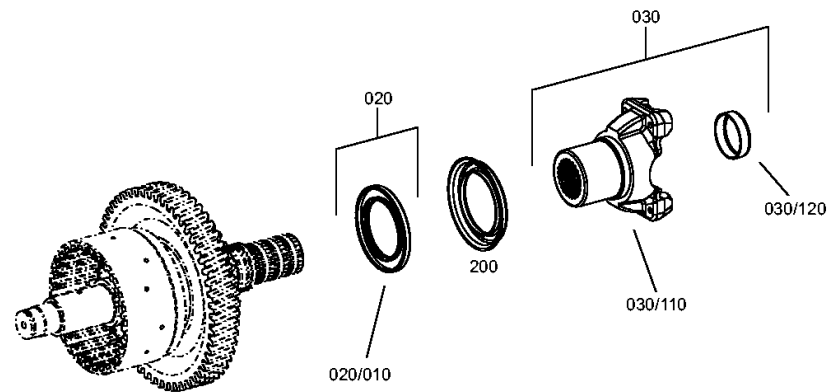
Material number: 4661.004.010

Plant: 466110300100

Material-assembly-group-no: 4661.103.001



4 WG 94 /  
OUTPUT



# Plant

Page 1 from 1

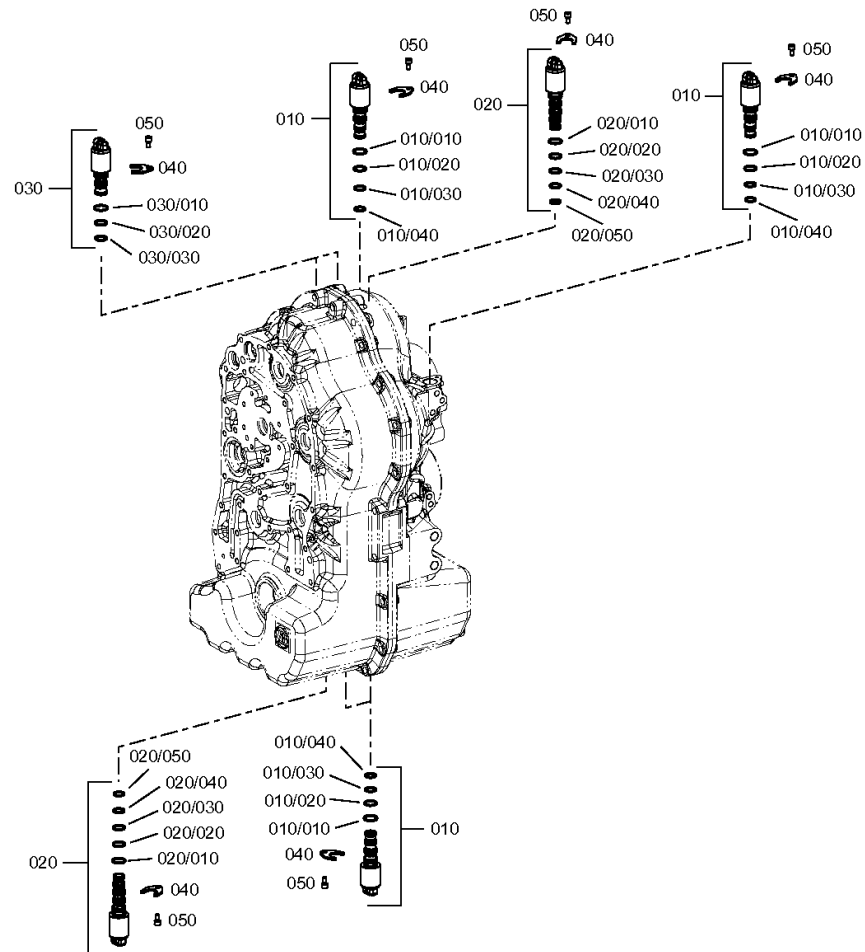
Material number: 4661.004.010

Plant: 466110600200

Material-assembly-group-no: 4661.106.002



4 WG 94 /  
CONTROL UNIT



# Plant

Page 1 from 1

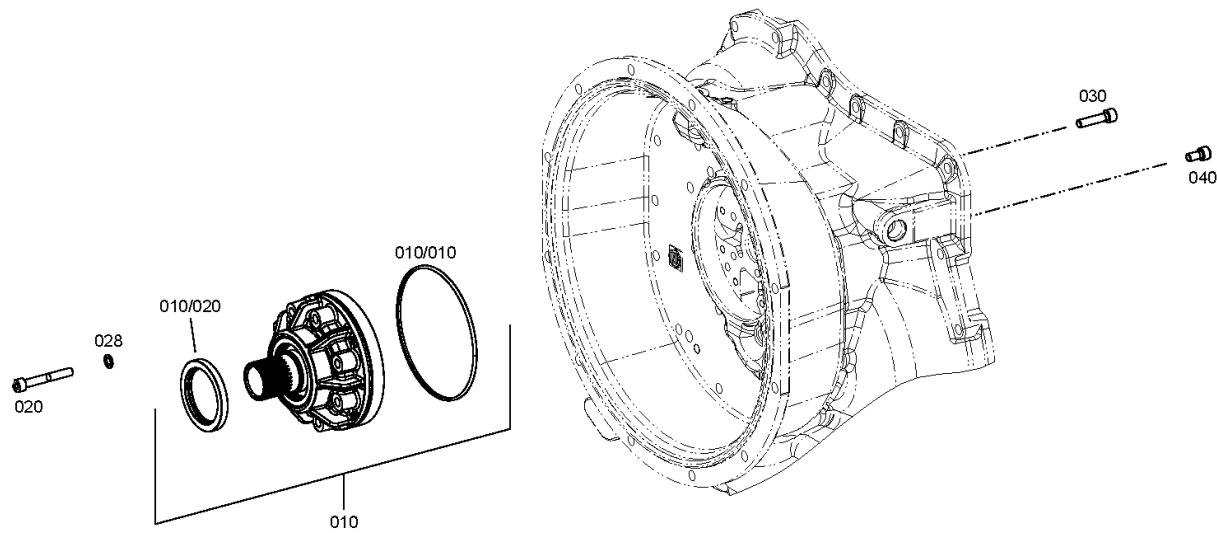
Material number: 4661.004.010

Plant: 466112200200

Material-assembly-group-no: 4661.122.002



4 WG 94 /  
PRESSURE OIL PUMP



# Plant

Page 1 from 2

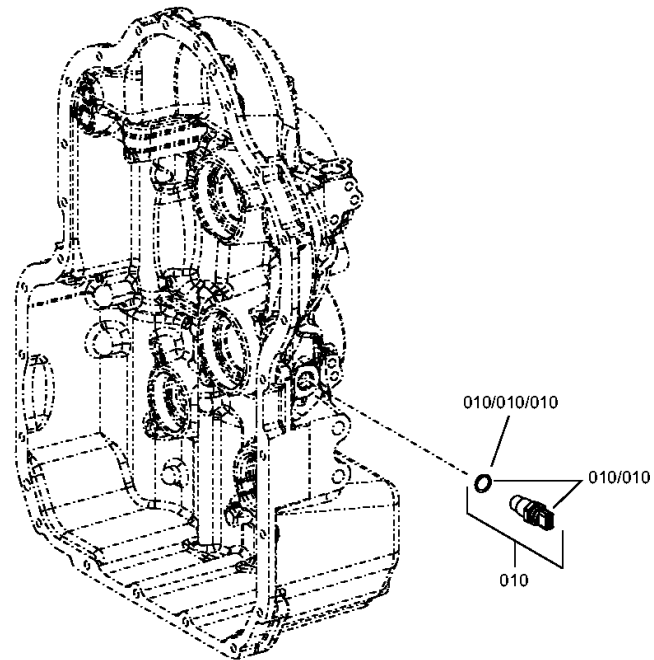
Material number: 4661.004.010

Plant: 466112500300

Material-assembly-group-no: 4661.125.003



4 WG 94 /  
INDUCTIVE SENSOR



# Plant

Page 2 from 2

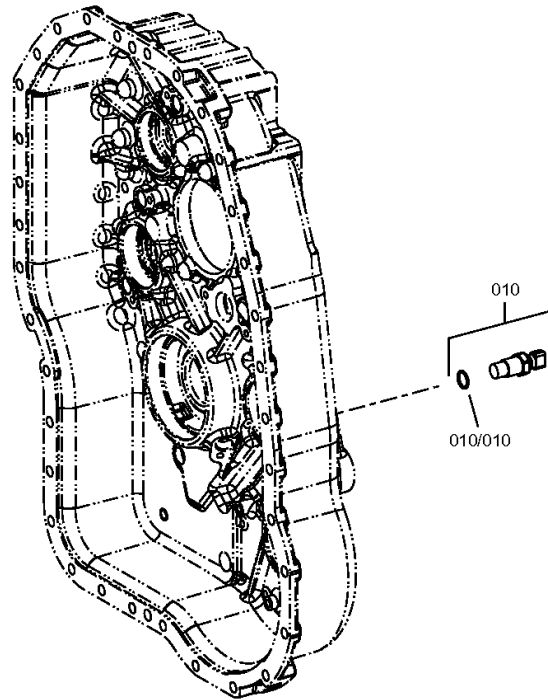
Material number: 4661.004.010

Plant: 466112500350

Material-assembly-group-no: 4661.125.003



4 WG 94 /  
INDUCTIVE SENSOR



# Plant

Page 1 from 1

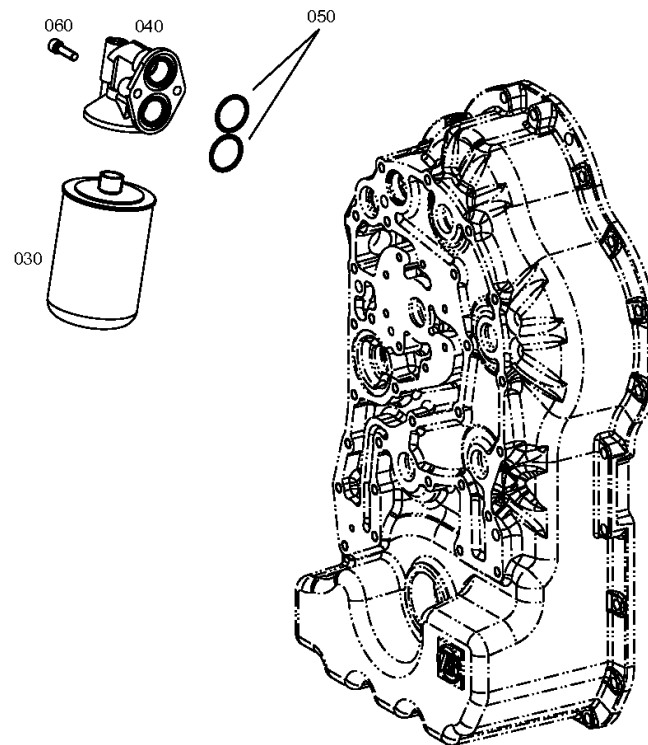
Material number: 4661.004.010

Plant: 466113800100

Material-assembly-group-no: 4661.138.001



4 WG 94 /  
FILTER



# Plant

Page 1 from 1

Material number: 4661.004.010

Plant: 466119800100

Material-assembly-group-no: 4661.198.001



4 WG 94 /  
PERIPHERALS

