



# Spare Parts Catalog

4 WG 94

Material number: 4661.004.048

Current date: 26.04.2023

ZF Friedrichshafen AG  
Hauptverwaltung  
80038 Friedrichshafen  
Deutschland

Telefon: +49 7541 77-0

Telefax: +49 7541 77-908000

[www.zf.com](http://www.zf.com)

zuständiges Werk:  
Passau

# Notes relating to the spare parts catalog

## Setup of the spare parts catalog

- Cover sheet
- Technical Cover (only in SDM print)
- Overview of figures
- Figure
- Associated parts list
- Next figure
- Associated parts list
- ...

## Figure and parts list



## Overview of figures

Bildtafel Figure	Sachnummer Product number	Benennung (Description)	Technische Info Technical info	Description (Benennung)	Menge Quantity	Einheit Unit
068.08.17	1316.170.001	AUSLEGER	WL	SHIFT TURRET	1	Stk
068.08.06	1316.170.031	DECKEL	WL*H-H *VM	COVER	1	Stk
068.08.14	1316.170.808	DECKEL	WL*AUSL+GEH*H-H*HF160N	COVER	1	Stk
08	1316.170.441	ANSCHLUSSTEILE	WL*NG-VORB*RG-SCHL*168N *BAJONETT	CONNECTING PARTS	1	Stk

The "gap" indicates that there is no separate graphics panel (poster) for this assembly  
The parts of this assembly are shown with the same mid-section number on the figure

### 1 Positions and subpositions

Pos.	Sachnummer Product number	Benennung (Description)	Technische Info Technical info	Description (Benennung)	Menge Quantity	Einheit Unit
0370	1315.201.054	RUECKLAUFBOLZEN	KPL.16S151*SG*L= 79	REV.IDLER SHAFT	1	Stk
/0120	0631.329.293	SPANNSTIFT		SLOT. PIN	1	Stk

Positions marked with "/" are the individual items of a completion  
For example: Position 0370 contains a centering pin with the position /0120

### 2 Combinations with standardized parts

Pos.	Sachnummer Product number	Benennung (Description)	Technische Info Technical info	Description (Benennung)	Menge Quantity	Einheit Unit
0630		VERSCHL.SCHR.		SCREW PLUG	1	Stk
	0636.302.067	VERSCHL.SCHR.		SCREW PLUG	1	Stk
	0634.801.249	DICHTRING	A 26 X 31	SEALING RING	1	Stk

The parts list shows the components included in the combination of standardized parts

### 3 Depiction of position/item number on the figure and in the parts list

01.620 - on the figure      01 relates to the assembly in which the position is included. Due to program-related reasons, it is shown on the figure.

0620 - in the parts list

Pos.	Sachnummer Product number	Benennung (Description)	Technische Info Technical info	Description (Benennung)	Menge Quantity	Einheit Unit
0620	0732.040.736	DRUCKFEDER		COMPRESSION SPRING	1	Stk

### 4 \*-Positions

Positions marked with an \* are optional i.e. inclusion in the parts list is not mandatory.  
The following note is shown on the figure

je nach Stücklistenausführung  
depending on spec. number  
\*  
suivant la nomenclature  
secondo la distinta base

### 5 Parts, dotted display

Parts with dotted display on the figure are only used for orientation of other parts

# Technical Cover

Page 1 from 2

Material number: 4661.004.048



4 WG 94 /

Pos.	Information	Amendment number
	CUSTOMER: BULL INDIA	
	1.PERFORMANCE CALC.: 4660 706 477	
	VEHICLE DESIGNATION: HD100	
	WEIGHT LOADED: 10,000 TO	
	WEIGHT EMPTY: 7,900 TO	
	ENGINE: CUMMINS TIER 3	
	ENGINE POWER: 72,8 KW	
	SPEED: 2200 U/MIN	
	INPUT TORQUE: 429 N/M	
	SPEED: 1500 U/MIN	
	TYRE SIZE: 16,9-28	
	TYRE RADIUS DYN.: 0,665 M	
	AXLE RATIO: 19,040	
	MAX. SPEED: 60,0 KM/H	
	PRODUCT DESCRIPTION: ZF-ERGOPOWER S	
	PRODUCTION LOCATION: COIMBATORE	
	TRANSMISSION TYPE: 4 WG 94 4 WD	
	DROP CENTER DISTANCE: PTO SIDE HORIZONTAL 20 MM	
	PTO SIDE VERTIKAL 180MM	
	CONVERTER-SIDE HORIZ. 20MM	
	CONVERTER-SIDE VERTIKAL 316 MM	
	VEHICLE: BACKHOE-LOADER	
	1. GEAR FORWARD: 4,932	
	2. GEAR FORWARD: 2,681	
	3. GEAR FORWARD: 1,295	
	4. GEAR FORWARD: 0,704	
	1. GEAR REVERSE: 3,900	
	2. GEAR REVERSE: 2,120	
	3. GEAR REVERSE: 1,313	
	CONVERTER: W 280	
	LOCK-UP CLUTCH: WITHOUT	
	STALL TORQUE RATIO: 2,63	
	TORQUE CONVERTER ABSORPTION: 203 NM	

# Technical Cover

Page 2 from 2

Material number: 4661.004.048



4 WG 94 /

Pos.	Information	Amendment number
	STATOR FREEWHEEL: WITH	
	ENGINE INPUT: DIRECT MOUNTED TO ENGINE	
	ENGINE-CONNECTION: SAE 3	
	ENGINE: CUMMINS	
	BOLT CIRCLE: 350,0 MM	
	CONNECTION: HOLE	
	OUTPUT: STANDARD	
	OUTPUT SHAFT CONVERTER SIDE: SHAFT SAE DP 16/32 Z= 21	
	OUTPUT FLANGE PTO SIDE: DS 1410 SLIDING FLANGE	
	POWER TAKE OFF: 1 PTO COAXIAL ENGINE-DEPENDENT	
	1.PTO FLANGE: SAE B 2 HOLE	
	DRIVER PROFILE: SAE B-B 16/32 DP 15 T	
	GEAR CHANGE CONTROL: ZF-POWERSHIFT	
	VOLTAGE: 12 VOLT	
	SPEED SENSOR: WITH	
	OIL LEVEL TUBE: CONNECTION	
	OIL DIPSTICK: WITHOUT	
	FILTER INSTALLATION: STANDARD	
	CONTROL UNIT: DIRECT CONTROLL	
	ELECTRIC PARTS ORDER: SEPARATE ORDER	
	GEAR SELECTOR: WITHOUT	
	WIRING: WITHOUT	
	PORT SIZE: WITHOUT	
	BRACKET: OHNE	
	OIL CAPACITY TRANSM.: CA. 15 LITRE	
	OIL FILLING TRANSM.: WITHOUT	
	OIL GRADE TRANSM.: TE- ML 03	
	PRIMER PAINT: BLACK RAL 9005	
	DOCUMENTATION GEAR BOX: -----	
	DOCU. CONTROL UNIT: -----	

# Assembly group overview

Page 1 from 1

Material number: 4661.004.048



4 WG 94 /

Picture	Pos.	Material number	Name	Quantity	Amend. no.	Techn. Info.
466113000100	250	4661.130.001	ENGINE CONNECTION	1		
466113400400	240	4661.134.004	CONVERTER	1		
466110201900	130	4661.102.019	INPUT	1		
466110102300	110	4661.101.023	TRANSMISSION HOUSING	1		
466110180700	120	4661.101.807	TRANSMISSION HOUSING	1		
466117500800	180	4661.175.008	COUPLING	1		
466110501000	170	4661.105.010	COUPLING	1		
466117101000	200	4661.171.010	COUPLING	1		
466117202300	210	4661.172.023	COUPLING	1		
466117300600	220	4661.173.006	COUPLING	1		
466117401100	230	4661.174.011	COUPLING	1		
466110300100	160	4661.103.001	OUTPUT	1		
466110602000	270	4661.106.020	CONTROL UNIT	1		
466112200500	280	4661.122.005	PRESSURE OIL PUMP	1		
466112500300	340	4661.125.003	INDUCTIVE SENSOR	1		
466113800100	290	4661.138.001	FILTER	1		

# Picture

Page 1 from 1

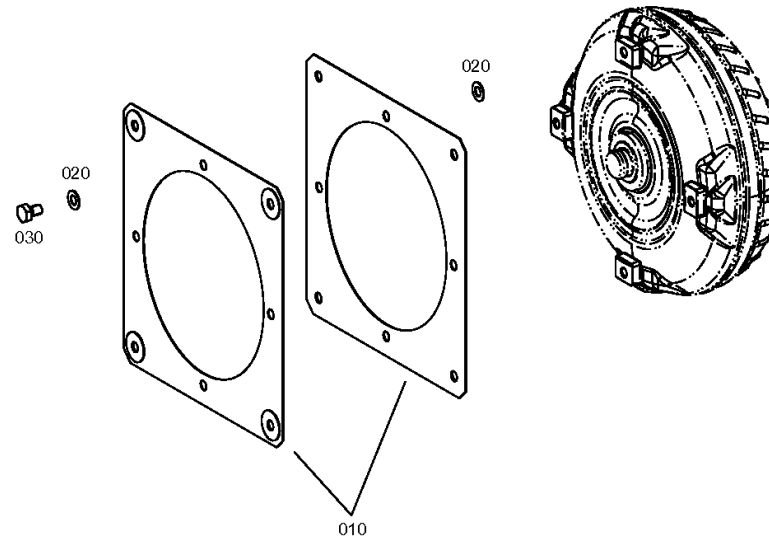
Material number: 4661.004.048

Picture: 466113000100

Material-assembly-group-no: 4661.130.001



4 WG 94 /  
ENGINE CONNECTION



# Picture

Page 1 from 1

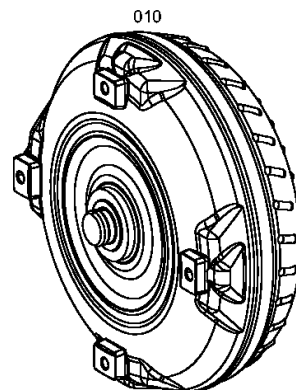
Material number: 4661.004.048

Picture: 466113400400

Material-assembly-group-no: 4661.134.004



4 WG 94 /  
CONVERTER



# Picture

Page 1 from 1

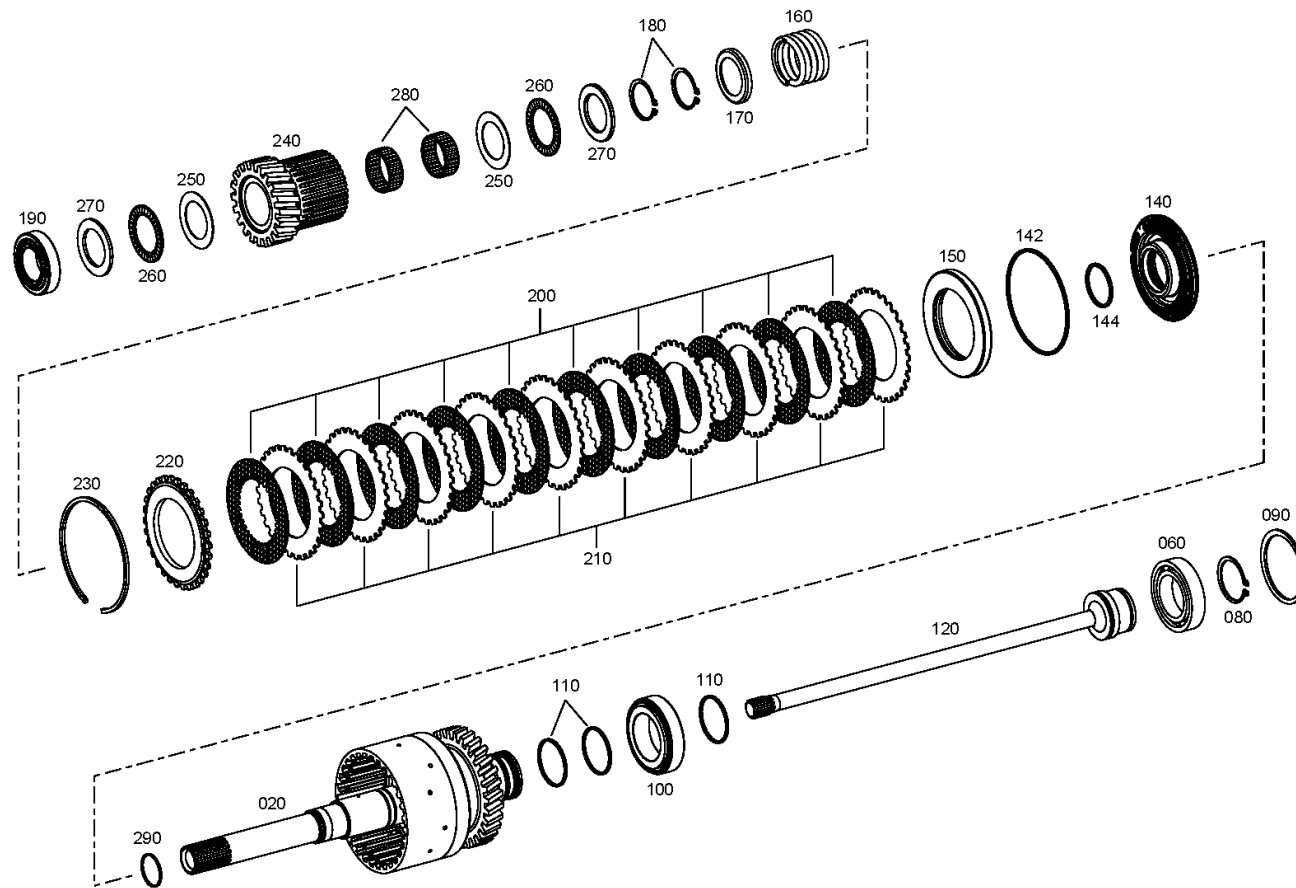
Material number: 4661.004.048

Picture: 466110201900

Material-assembly-group-no: 4661.102.019



4 WG 94 /  
INPUT





# Picture

Page 1 from 1

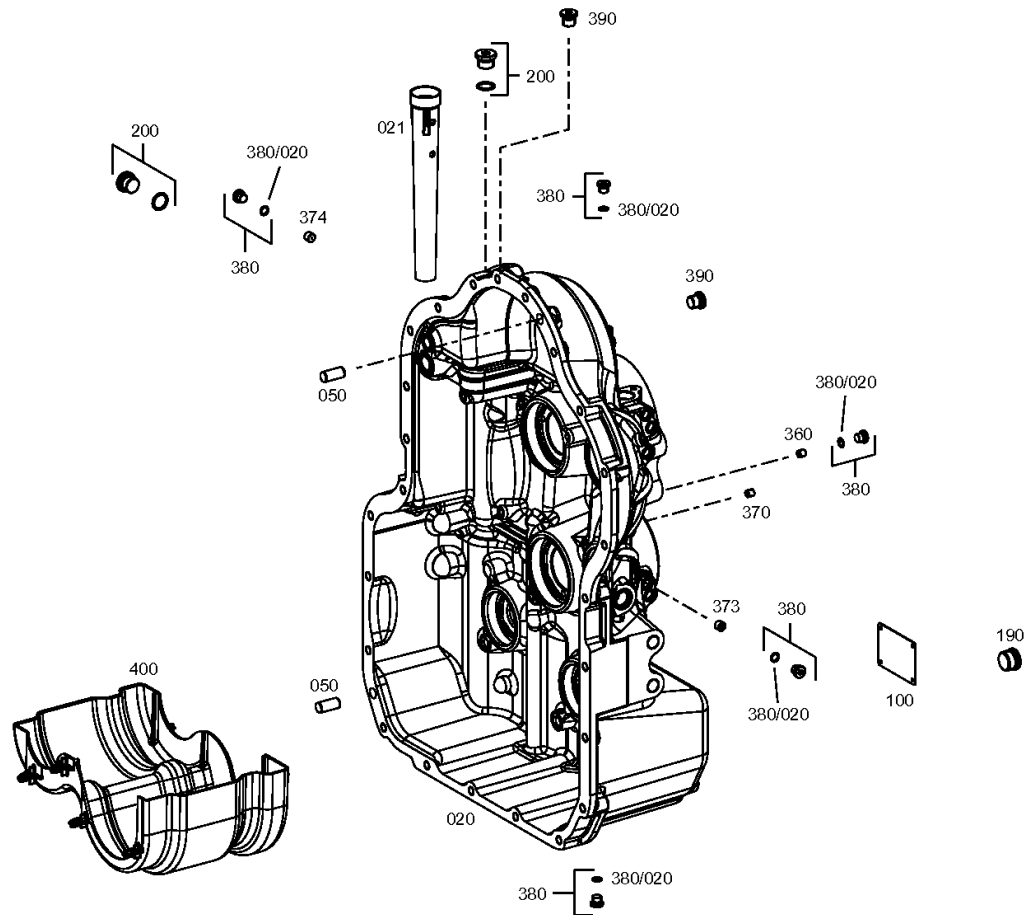
Material number: 4661.004.048

Picture: 466110102300

Material-assembly-group-no: 4661.101.023



4 WG 94 /  
TRANSMISSION HOUSING



# Picture

Page 1 from 1

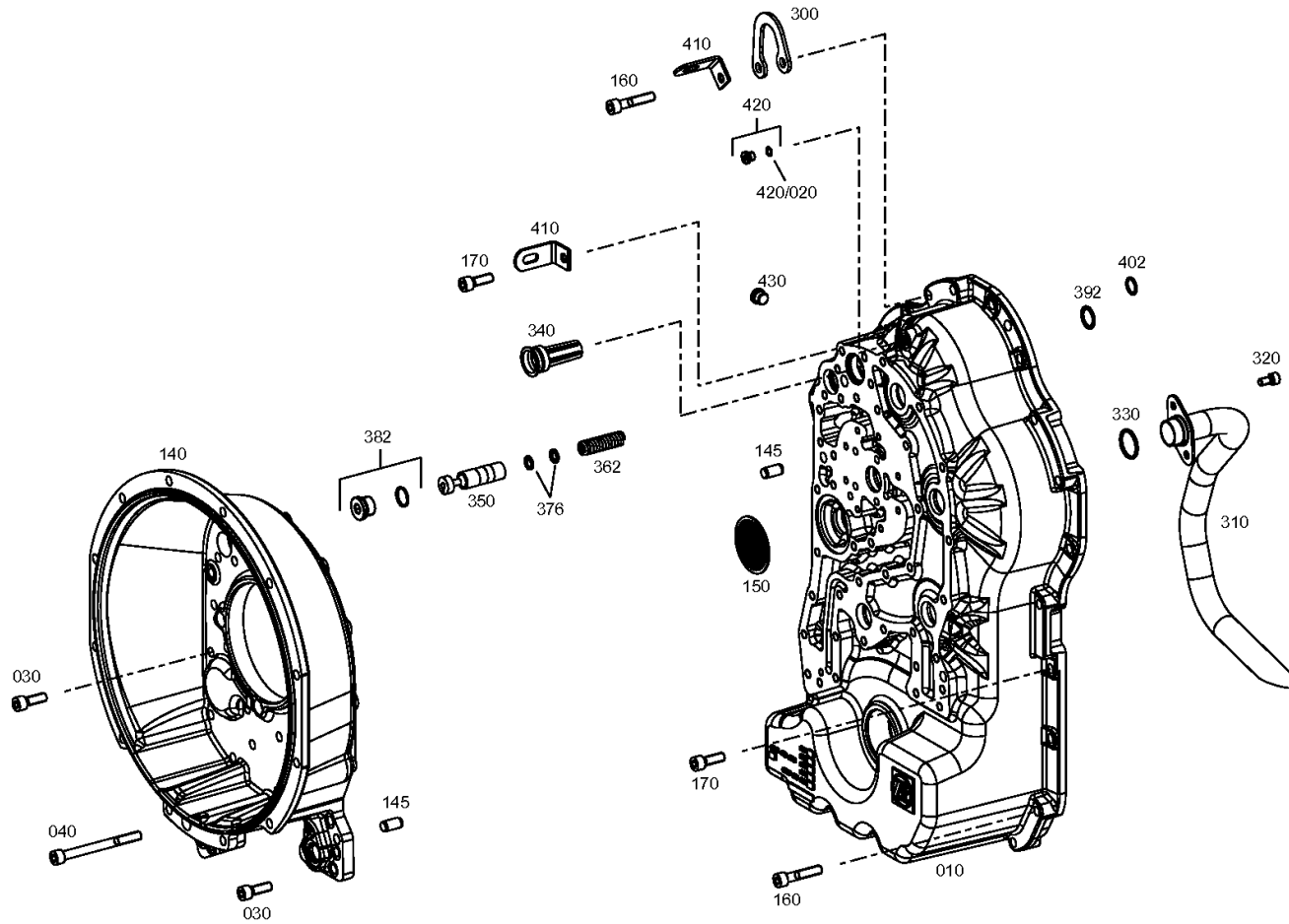
Material number: 4661.004.048

Picture: 466110180700

Material-assembly-group-no: 4661.101.807



4 WG 94 /  
TRANSMISSION HOUSING



# Picture

Page 1 from 1

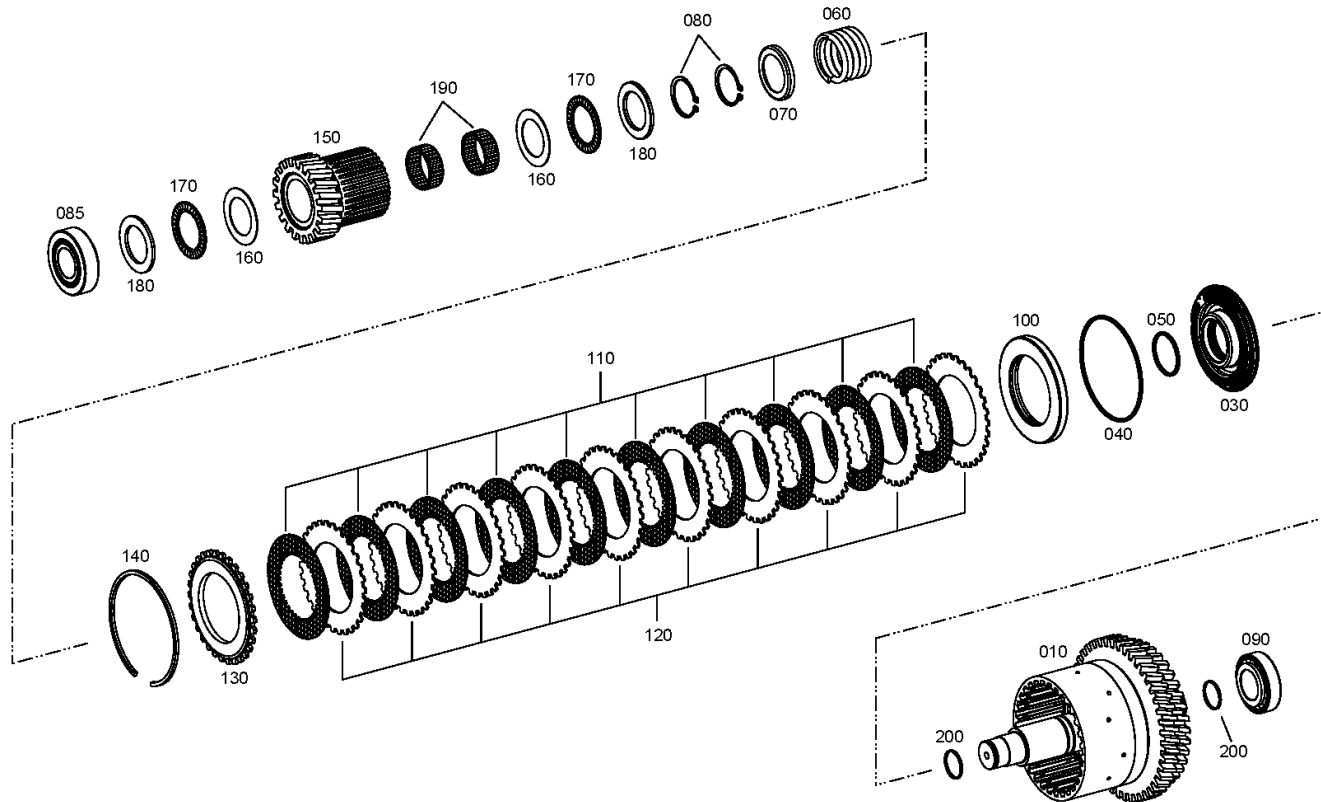
Material number: 4661.004.048

Picture: 466117500800

Material-assembly-group-no: 4661.175.008



4 WG 94 /  
COUPLING



# Picture

Page 1 from 1

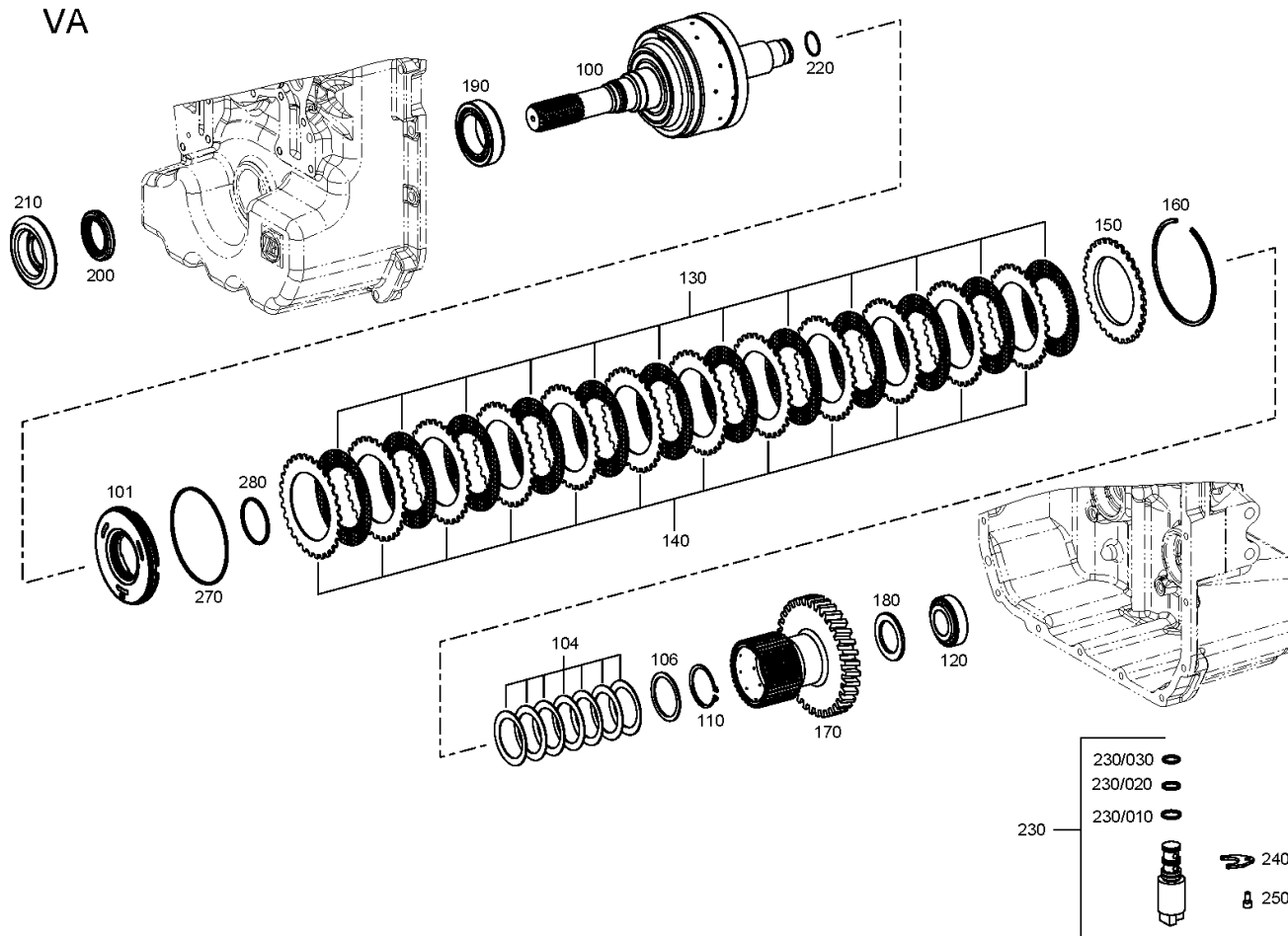
Material number: 4661.004.048

Picture: 466110501000

Material-assembly-group-no: 4661.105.010



4 WG 94 /  
COUPLING



# Picture

Page 1 from 1

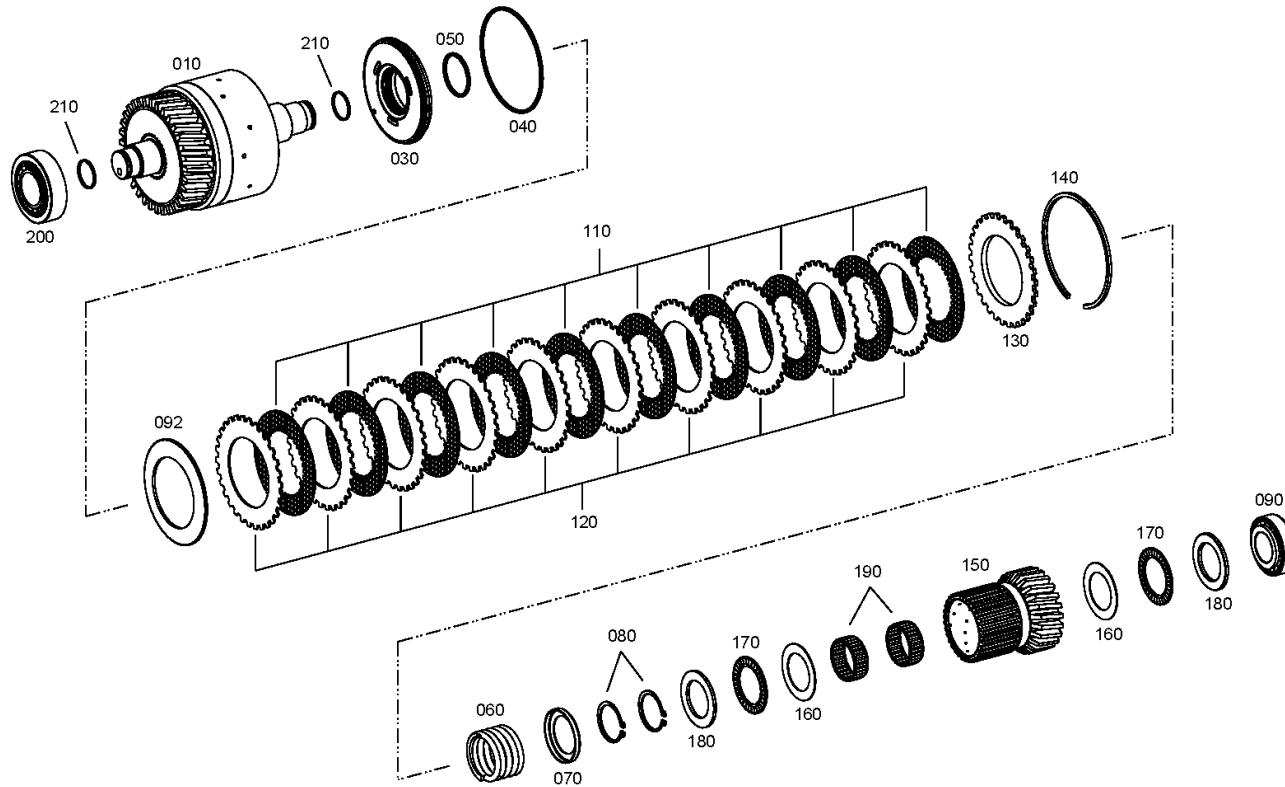
Material number: 4661.004.048

Picture: 466117101000

Material-assembly-group-no: 4661.171.010



4 WG 94 /  
COUPLING



# Picture

Page 1 from 1

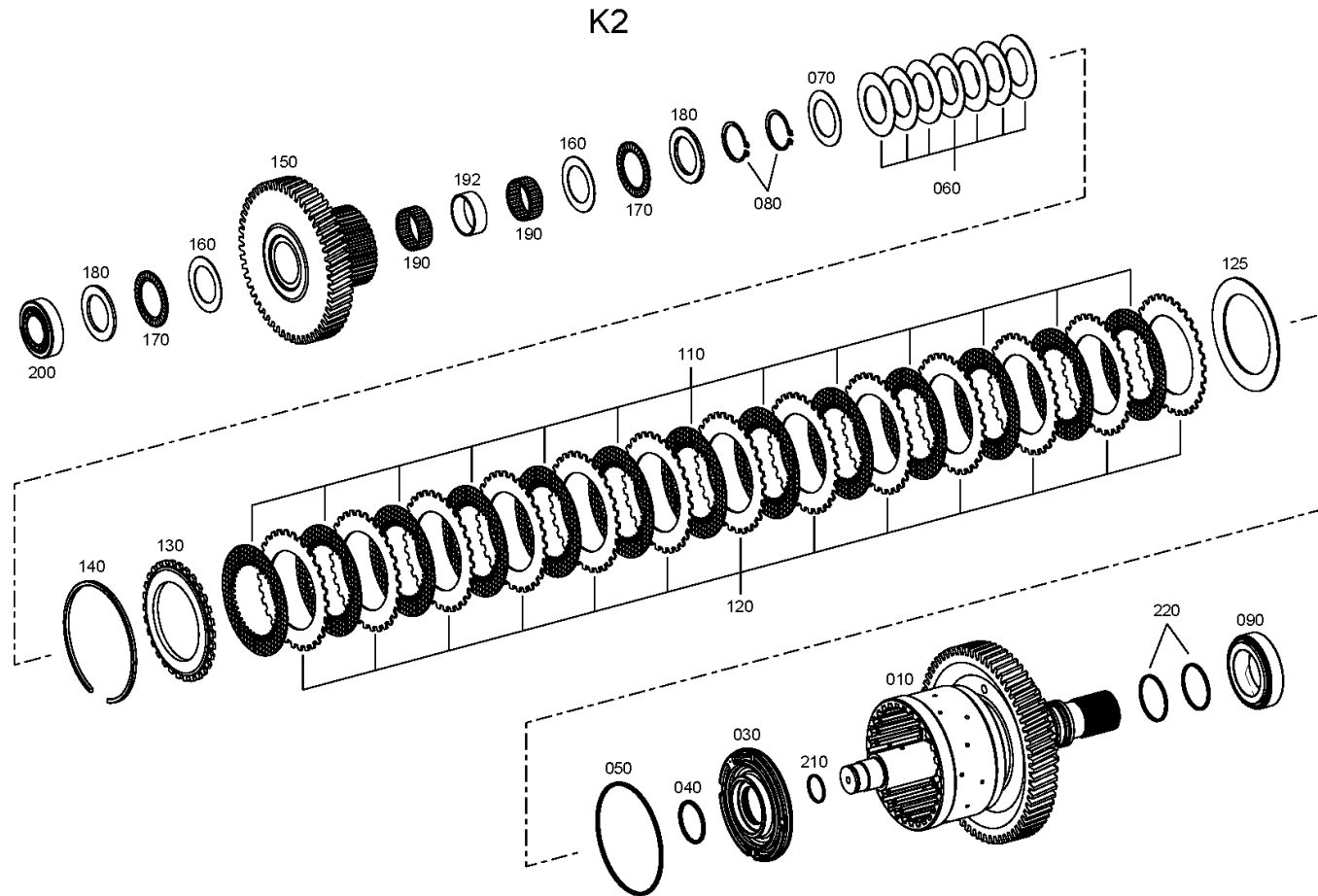
Material number: 4661.004.048

Picture: 466117202300

Material-assembly-group-no: 4661.172.023



4 WG 94 /  
COUPLING



# Picture

Page 1 from 1

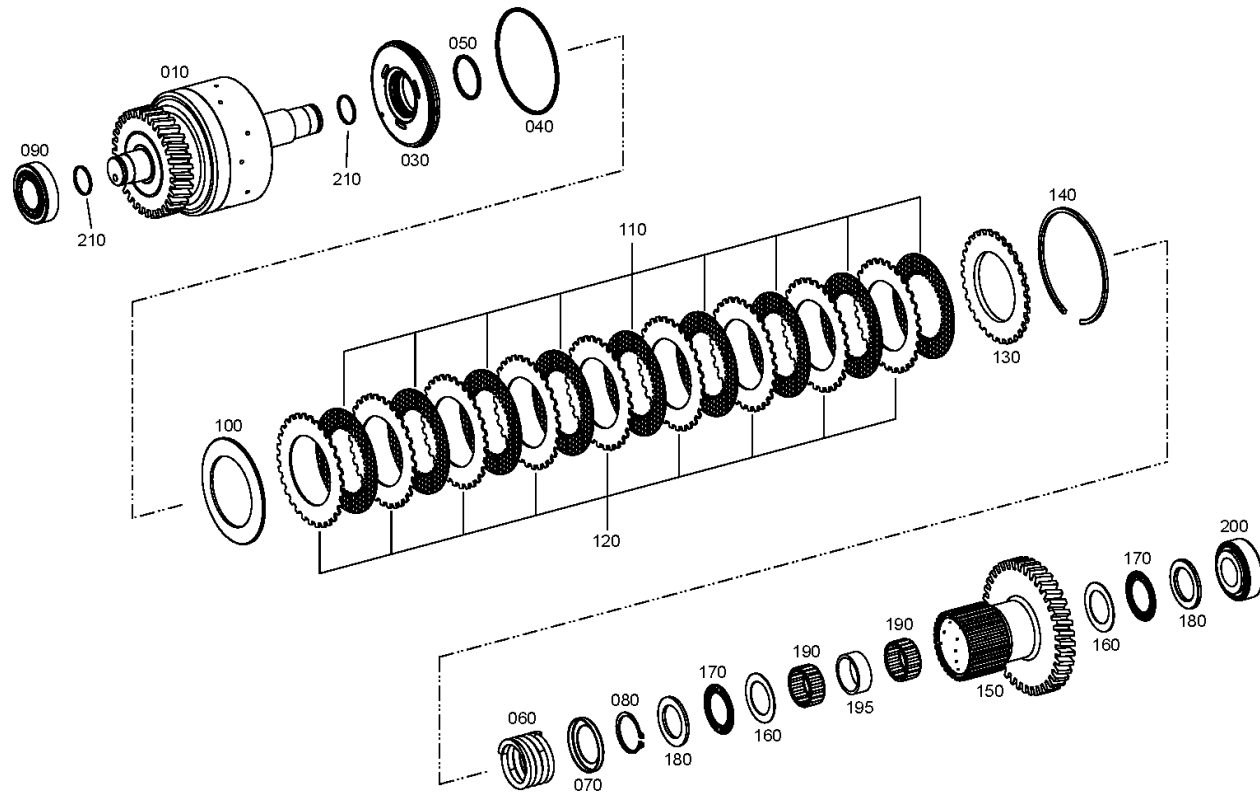
Material number: 4661.004.048

Picture: 466117300600

Material-assembly-group-no: 4661.173.006



4 WG 94 /  
COUPLING



# Picture

Page 1 from 1

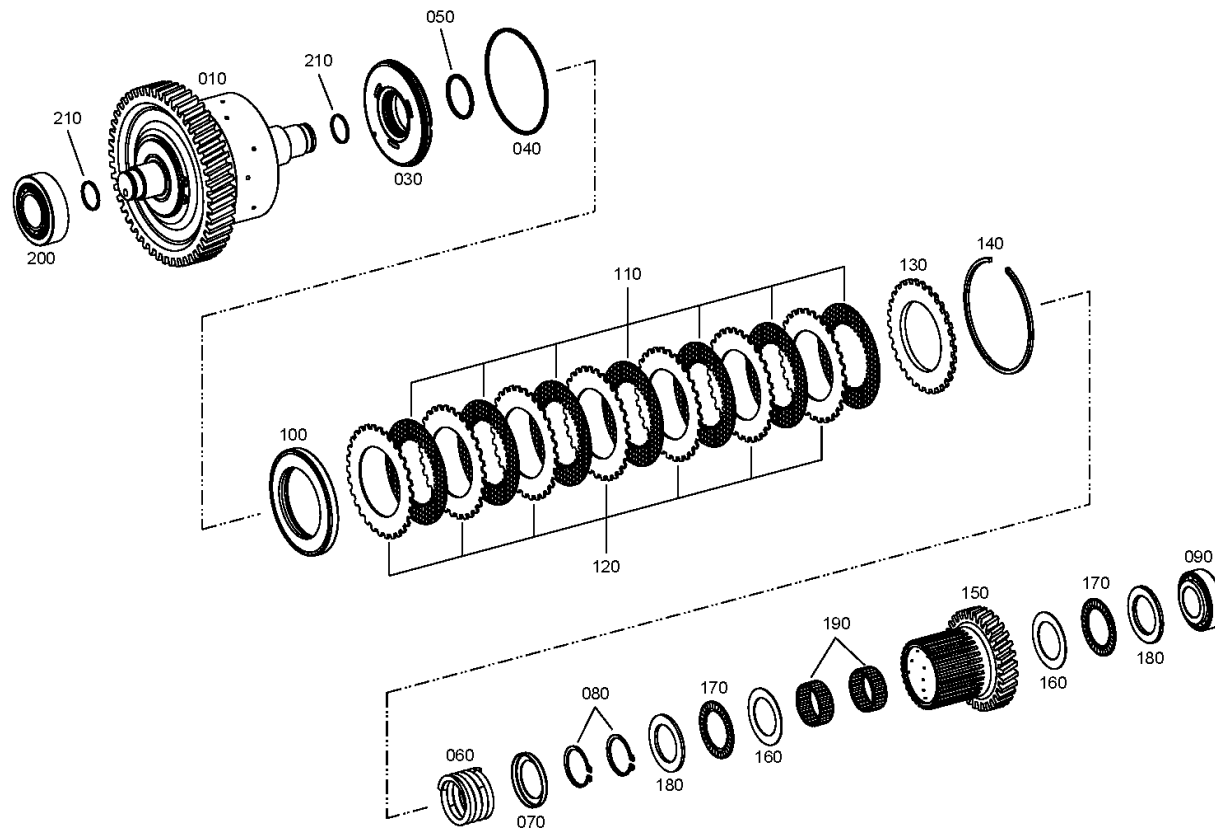
Material number: 4661.004.048

Picture: 466117401100

Material-assembly-group-no: 4661.174.011



4 WG 94 /  
COUPLING





# Picture

Page 1 from 1

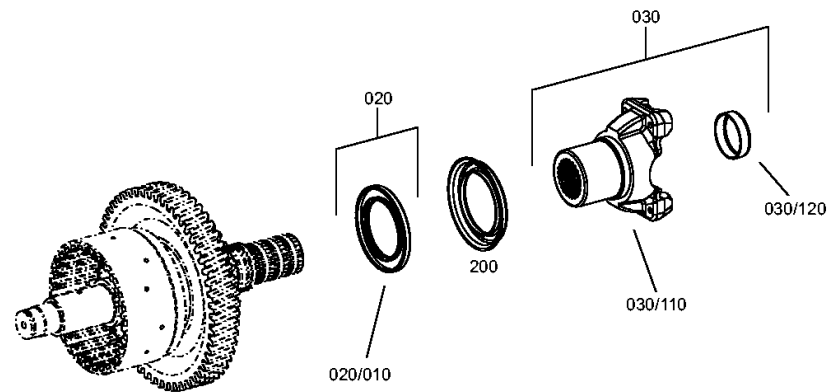
Material number: 4661.004.048

Picture: 466110300100

Material-assembly-group-no: 4661.103.001



4 WG 94 /  
OUTPUT



# Picture

Page 1 from 1

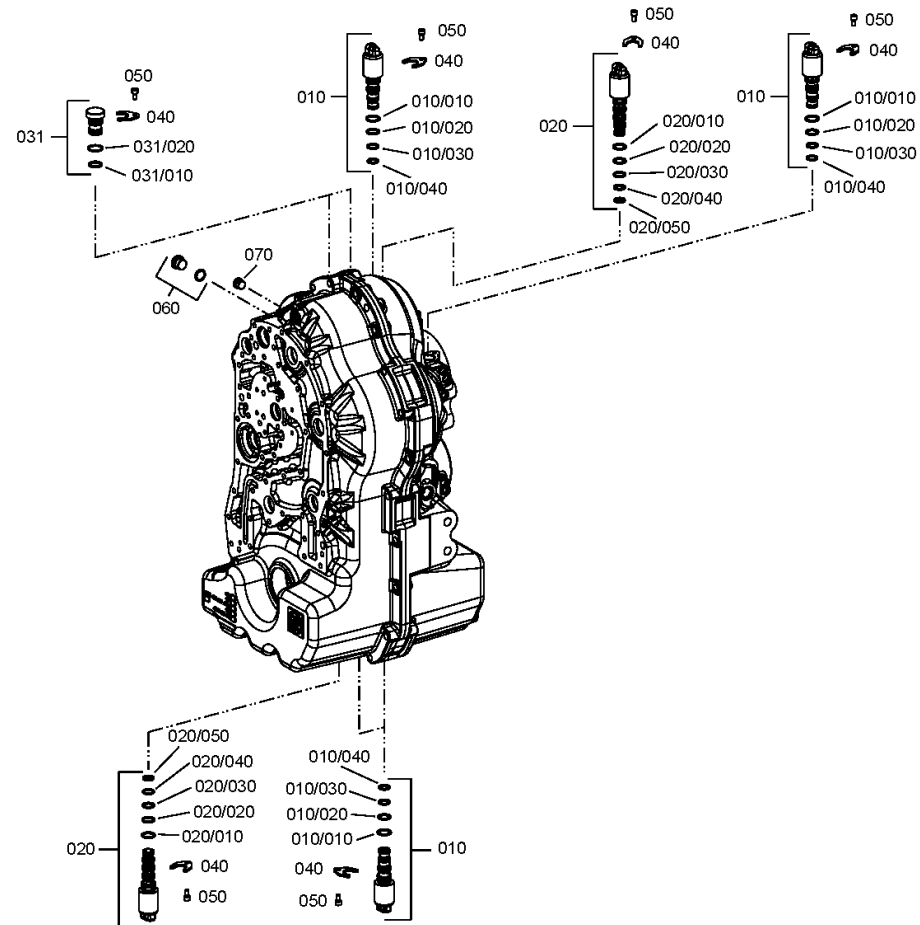
Material number: 4661.004.048

Picture: 466110602000

Material-assembly-group-no: 4661.106.020



4 WG 94 /  
CONTROL UNIT



# Picture

Page 1 from 1

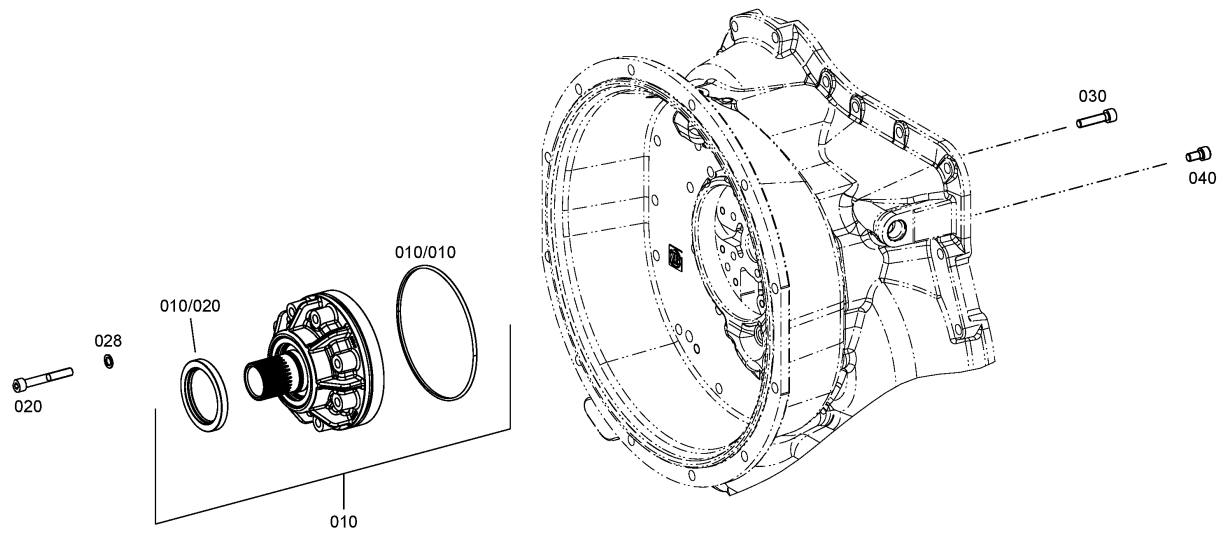
Material number: 4661.004.048

Picture: 466112200500

Material-assembly-group-no: 4661.122.005



4 WG 94 /  
PRESSURE OIL PUMP



# Picture

Page 1 from 2

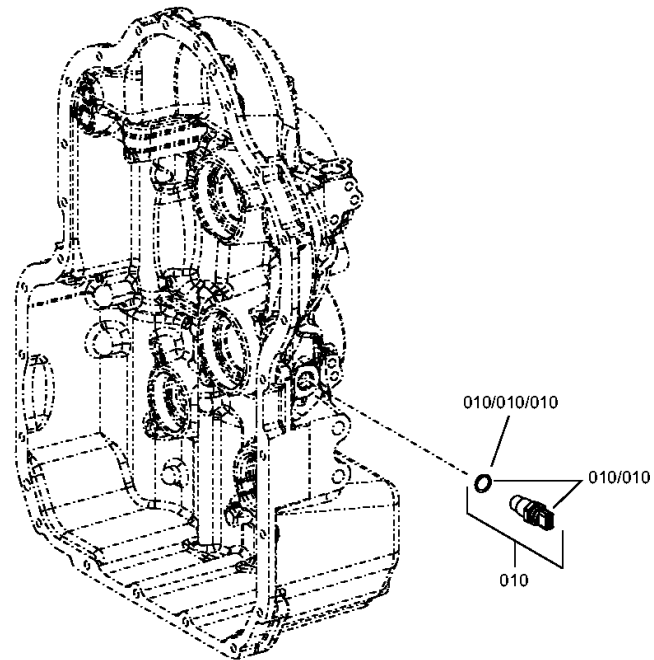
Material number: 4661.004.048

Picture: 466112500300

Material-assembly-group-no: 4661.125.003



4 WG 94 /  
INDUCTIVE SENSOR



# Picture

Page 2 from 2

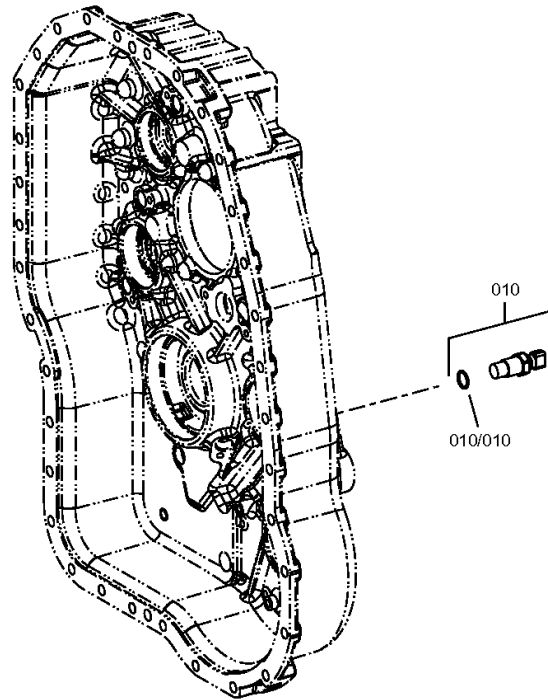
Material number: 4661.004.048

Picture: 466112500350

Material-assembly-group-no: 4661.125.003



4 WG 94 /  
INDUCTIVE SENSOR



# Picture

Page 1 from 1

Material number: 4661.004.048

Picture: 466113800100

Material-assembly-group-no: 4661.138.001



4 WG 94 /  
FILTER

