



Spare Parts Catalog

8 EP 320

Material number: 4662.028.009

Current date: 12.10.2022

ZF Friedrichshafen AG
Hauptverwaltung
80038 Friedrichshafen
Deutschland

Telefon: +49 7541 77-0

Telefax: +49 7541 77-908000

www.zf.com

zuständiges Werk:
Passau

Notes relating to the spare parts catalog

Setup of the spare parts catalog

- Cover sheet
- Technical Cover (only in SDM print)
- Overview of figures
- Figure
- Associated parts list
- Next figure
- Associated parts list
- ...

Figure and parts list



Overview of figures

Bildtafel Figure	Sachnummer Product number	Benennung (Description)	Technische Info Technical info	Description (Benennung)	Menge Quantity	Einheit Unit
068.08.17	1316.170.001	AUSLEGER	WL	SHIFT TURRET	1	Stk
068.08.06	1316.170.031	DECKEL	WL*H-H *VM	COVER	1	Stk
068.08.14	1316.170.808	DECKEL	WL*AUSL+GEH*H-H*HF160N	COVER	1	Stk
08	1316.170.441	ANSCHLUSSTEILE	WL*NG-VORB*RG-SCHL*168N *BAJONETT	CONNECTING PARTS	1	Stk

The "gap" indicates that there is no separate graphics panel (poster) for this assembly
The parts of this assembly are shown with the same mid-section number on the figure

1 Positions and subpositions

Pos.	Sachnummer Product number	Benennung (Description)	Technische Info Technical info	Description (Benennung)	Menge Quantity	Einheit Unit
0370	1315.201.054	RUECKLAUFBOLZEN	KPL.16S151*SG*L= 79	REV.IDLER SHAFT	1	Stk
/0120	0631.329.293	SPANNSTIFT		SLOT. PIN	1	Stk

Positions marked with "/" are the individual items of a completion
For example: Position 0370 contains a centering pin with the position /0120

2 Combinations with standardized parts

Pos.	Sachnummer Product number	Benennung (Description)	Technische Info Technical info	Description (Benennung)	Menge Quantity	Einheit Unit
0630		VERSCHL.SCHR.		SCREW PLUG	1	Stk
	0636.302.067	VERSCHL.SCHR.		SCREW PLUG	1	Stk
	0634.801.249	DICHTRING	A 26 X 31	SEALING RING	1	Stk

The parts list shows the components included in the combination of standardized parts

3 Depiction of position/item number on the figure and in the parts list

01.620 - on the figure 01 relates to the assembly in which the position is included. Due to program-related reasons, it is shown on the figure.

0620 - in the parts list

Pos.	Sachnummer Product number	Benennung (Description)	Technische Info Technical info	Description (Benennung)	Menge Quantity	Einheit Unit
0620	0732.040.736	DRUCKFEDER		COMPRESSION SPRING	1	Stk

4 *-Positions

Positions marked with an * are optional i.e. inclusion in the parts list is not mandatory.
The following note is shown on the figure

je nach Stücklistenausführung
depending on spec. number
*
suivant la nomenclature
secondo la distinta base

5 Parts, dotted display

Parts with dotted display on the figure are only used for orientation of other parts

Assembly group overview

Page 1 from 2

Material number: 4662.028.009



8 EP 320 /

Picture	Pos.	Material number	Name	Quantity	Amend. no.	Techn. Info.
446002606480	260	4460.026.064	LKV	1		
466213000700	100	4662.130.007	ENGINE CONNECTION	1		
465710342200	110	4657.103.422	OUTPUT	1		
416604001700	250	4166.040.017	CONVERTER	1		
466214100701	60	4662.141.007	OIL SUPPLY	1		
466214140100	65	4662.141.401	OIL SUPPLY	1		
466210200100	20	4662.102.001	INPUT	1		
466210101301	10	4662.101.013	TRANSMISSION HOUSING	1		
466210140000	12	4662.101.400	TRANSMISSION HOUSING	1		
466217101100	170	4662.171.011	COUPLING	1		
466217200800	180	4662.172.008	COUPLING	1		
466217300600	190	4662.173.006	COUPLING	1		
466217400500	200	4662.174.005	COUPLING	1		
466217500700	210	4662.175.007	COUPLING	1		
466217600500	220	4662.176.005	COUPLING	1		
466217701000	225	4662.177.010	CLUTCH	1		

Assembly group overview

Page 2 from 2

Material number: 4662.028.009



8 EP 320 /

Picture	Pos.	Material number	Name	Quantity	Amend. no.	Techn. Info.
466212300901	230	4662.123.009	PLANETARY DRIVE	1		
466212340100	235	4662.123.401	PLANETARY DRIVE	1		
466210400601	30	4662.104.006	DIFFERENTIAL	1		
466210540200	50	4662.105.402	OUTPUT	1		
466215401100	160	4662.154.011	POWER TAKE-OFF	1		
466215440300	165	4662.154.403	POWER TAKE-OFF	1		
466210600100	80	4662.106.001	SHIFT SYSTEM	1		
466215900300	70	4662.159.003	SHIFT SYSTEM	1		
466213700300	120	4662.137.003	EMERGENCY STEERING PUMP	1		
466213740100	130	4662.137.401	EMERGENCY STEERING PUMP	1		
466212500300	90	4662.125.003	SPEED SENSOR	1		
466213100100	115	4662.131.001	OIL LEVEL INDIC	1		
605701000100	270	6057.010.001	TCU EP400 EC2	1		
466229800900	KIT	4662.298.009	SHIFT SYSTEM	0		
466229804500	KIT	4662.298.045	HOUSING II	1		
466229804800	KIT	4662.298.048	HOUSING I	1		

Picture

Page 1 from 1

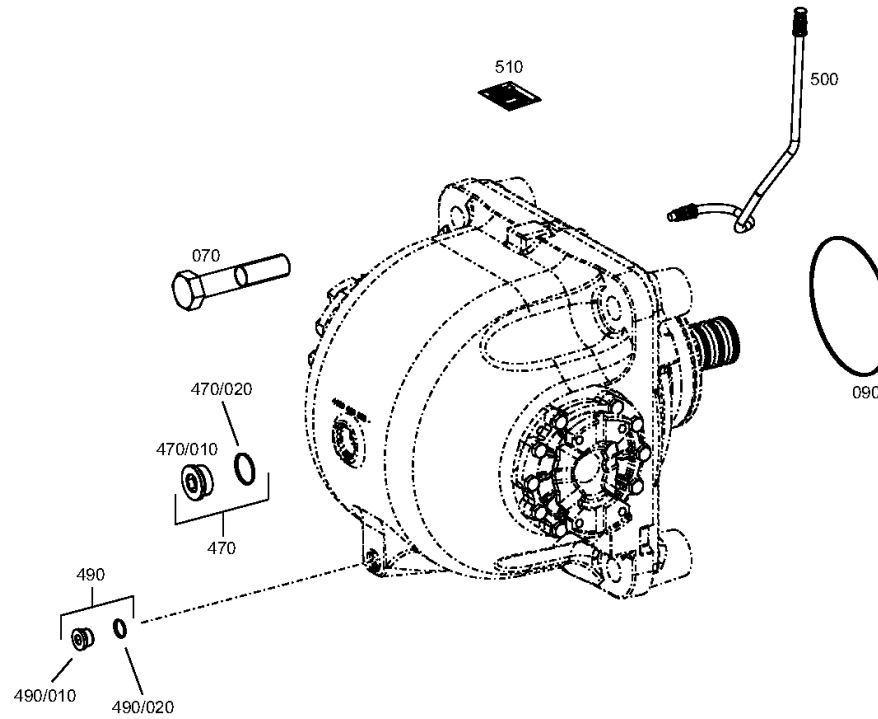
Material number: 4662.028.009

Picture: 446002606480

Material-assembly-group-no: 4460.026.064



8 EP 320 /
LKV



Picture

Page 1 from 2

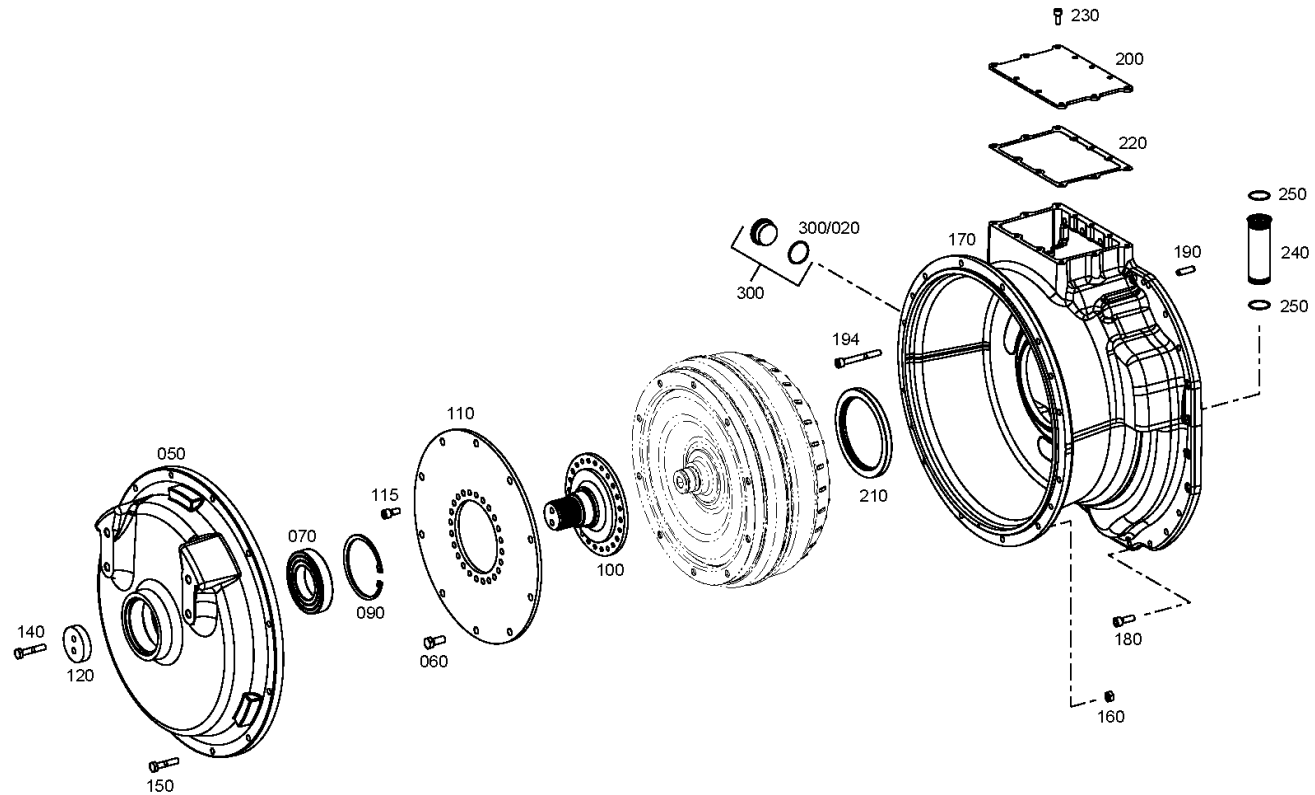
Material number: 4662.028.009

Picture: 466213000700

Material-assembly-group-no: 4662.130.007



8 EP 320 /
ENGINE CONNECTION



Picture

Page 2 from 2

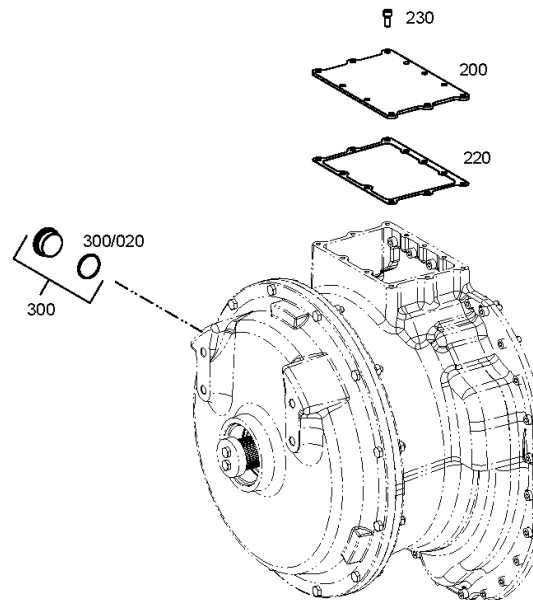
Material number: 4662.028.009

Picture: 466213000780

Material-assembly-group-no: 4662.130.007



8 EP 320 /
ENGINE CONNECTION



Picture

Page 1 from 1

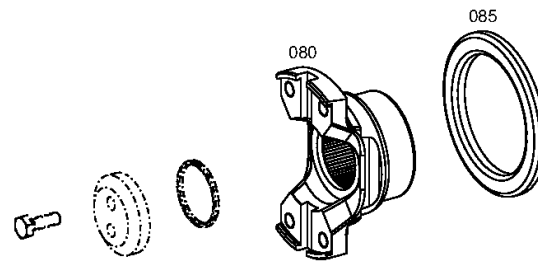
Material number: 4662.028.009

Picture: 465710342200

Material-assembly-group-no: 4657.103.422



8 EP 320 /
OUTPUT



Picture

Page 1 from 1

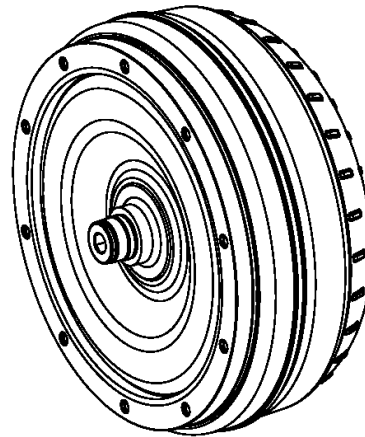
Material number: 4662.028.009

Picture: 416604001700

Material-assembly-group-no: 4166.040.017



8 EP 320 /
CONVERTER



010

Picture

Page 1 from 4

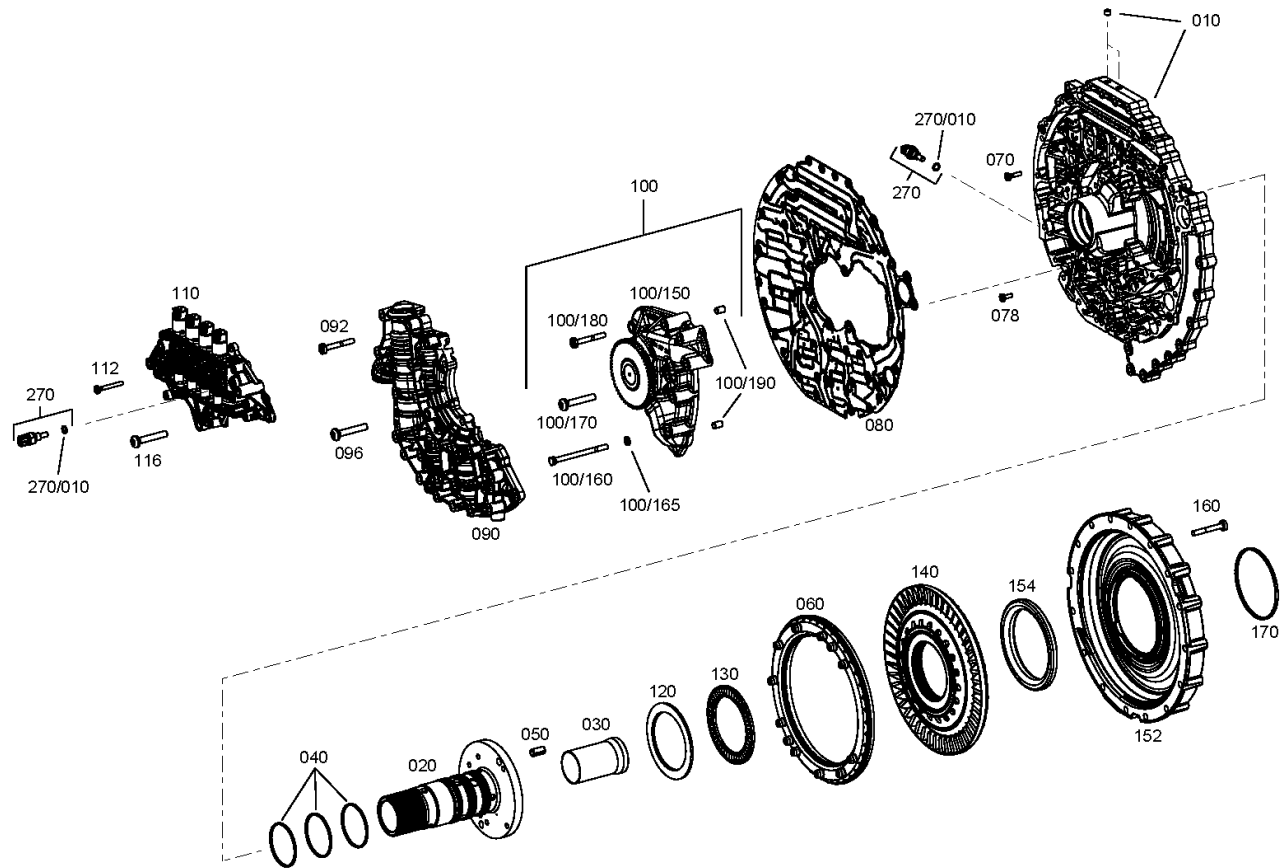
Material number: 4662.028.009

Picture: 466214100701

Material-assembly-group-no: 4662.141.007



8 EP 320 /
OIL SUPPLY



Picture

Page 2 from 4

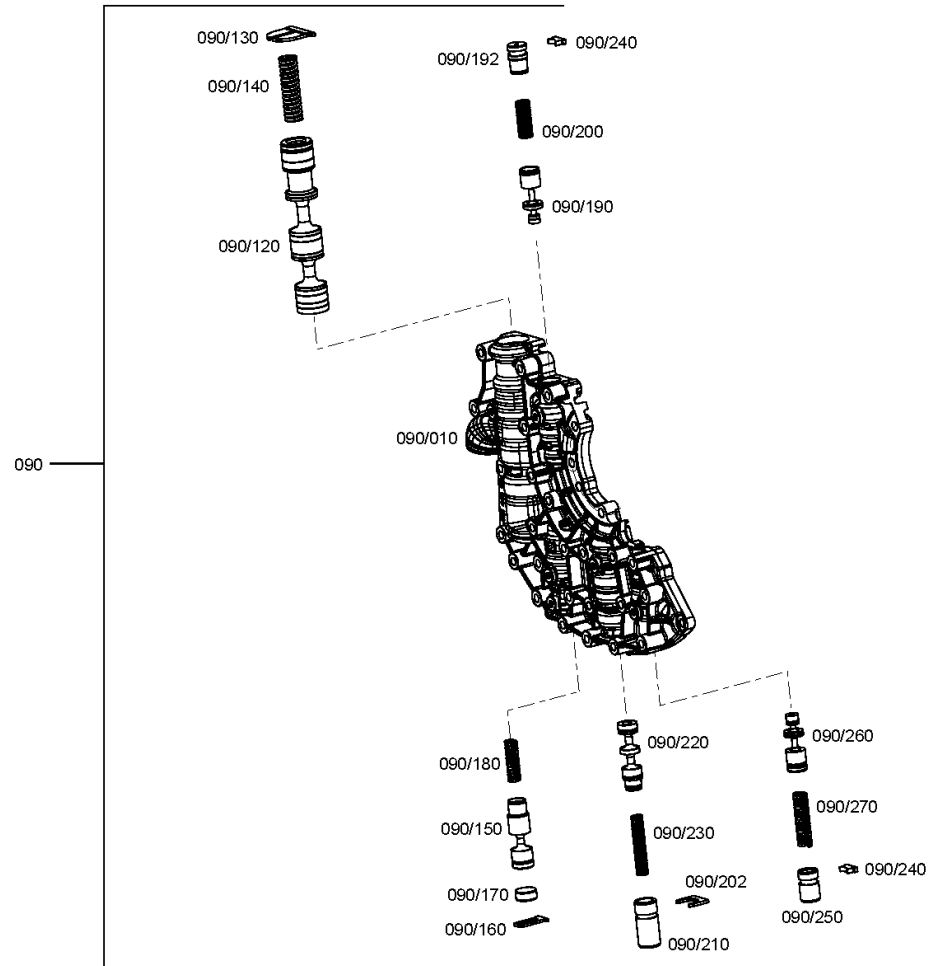
Material number: 4662.028.009

Picture: 466214100702

Material-assembly-group-no: 4662.141.007



8 EP 320 /
OIL SUPPLY



Picture

Page 3 from 4

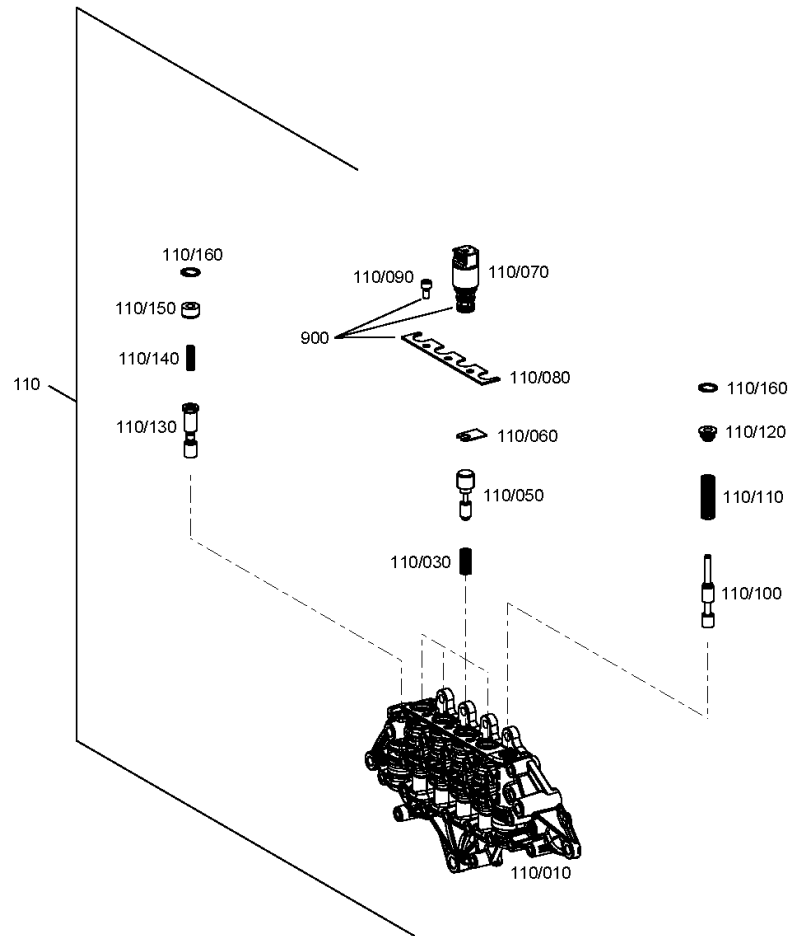
Material number: 4662.028.009

Picture: 466214100703

Material-assembly-group-no: 4662.141.007



8 EP 320 /
OIL SUPPLY



Picture

Page 4 from 4

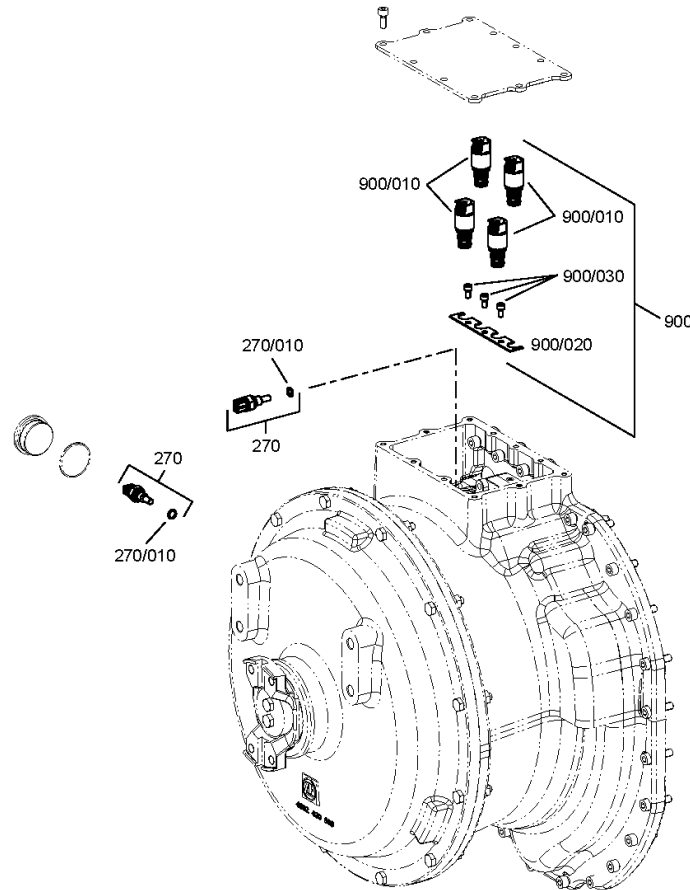
Material number: 4662.028.009

Picture: 466214100780

Material-assembly-group-no: 4662.141.007



8 EP 320 /
OIL SUPPLY



Picture

Page 1 from 1

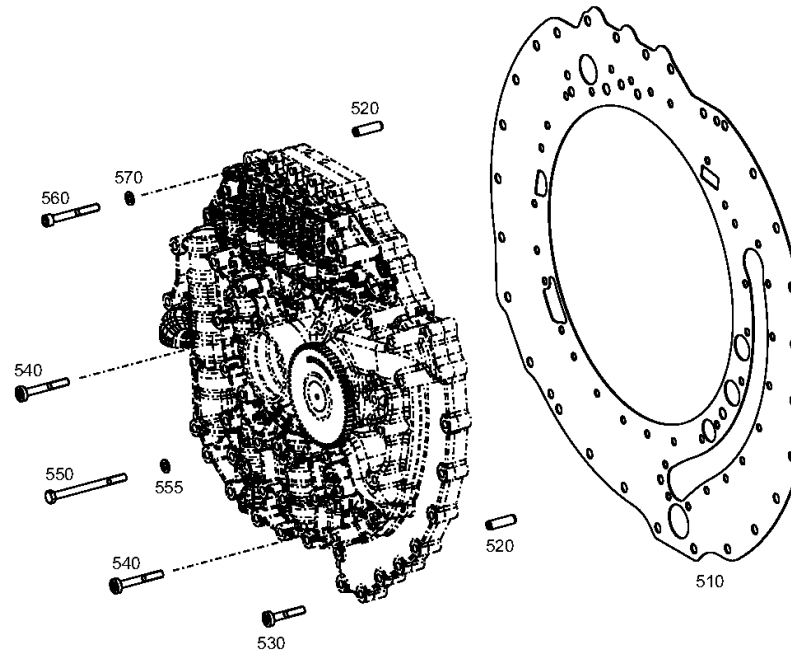
Material number: 4662.028.009

Picture: 466214140100

Material-assembly-group-no: 4662.141.401



8 EP 320 /
OIL SUPPLY



Picture

Page 1 from 1

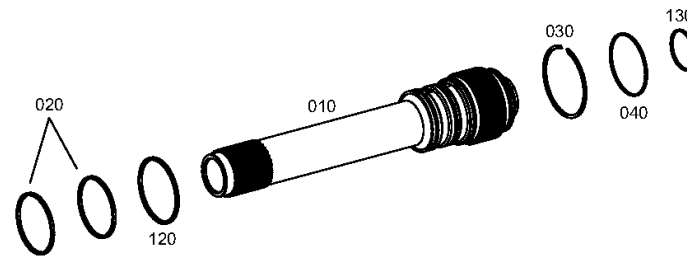
Material number: 4662.028.009

Picture: 466210200100

Material-assembly-group-no: 4662.102.001



8 EP 320 /
INPUT



Picture

Page 1 from 4

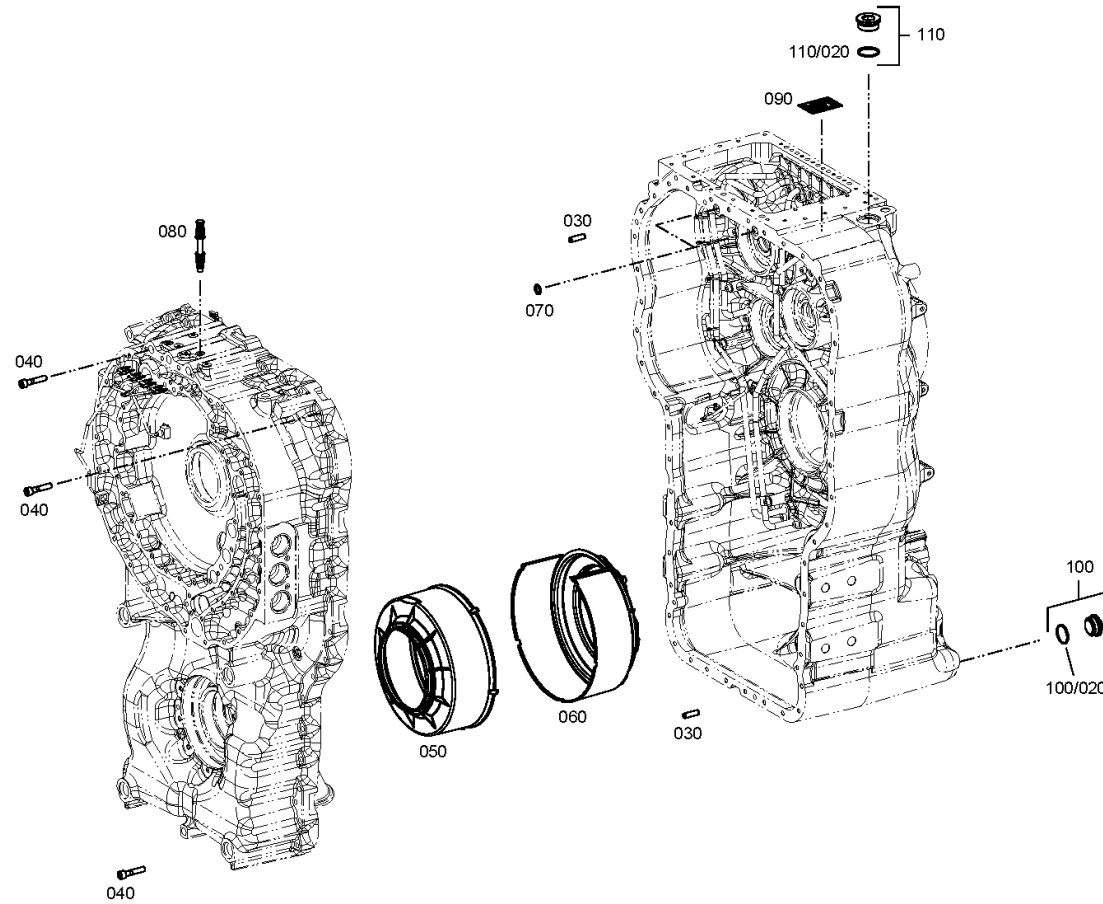
Material number: 4662.028.009

Picture: 466210101301

Material-assembly-group-no: 4662.101.013



8 EP 320 /
TRANSMISSION HOUSING



Picture

Page 2 from 4

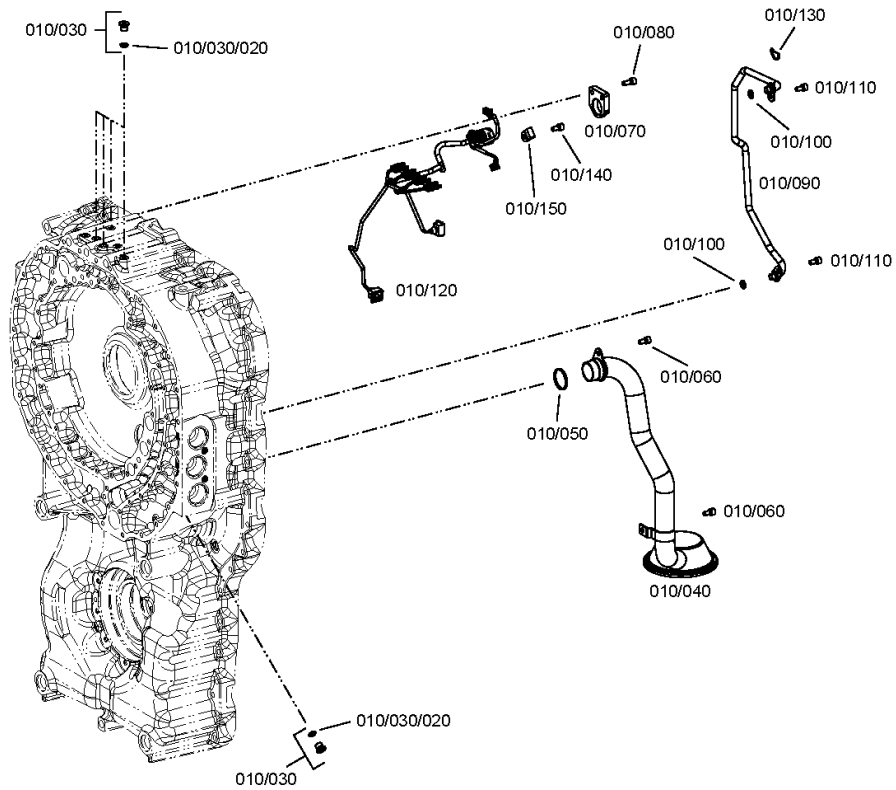
Material number: 4662.028.009

Picture: 466210101302

Material-assembly-group-no: 4662.101.013



8 EP 320 /
TRANSMISSION HOUSING



Picture

Page 3 from 4

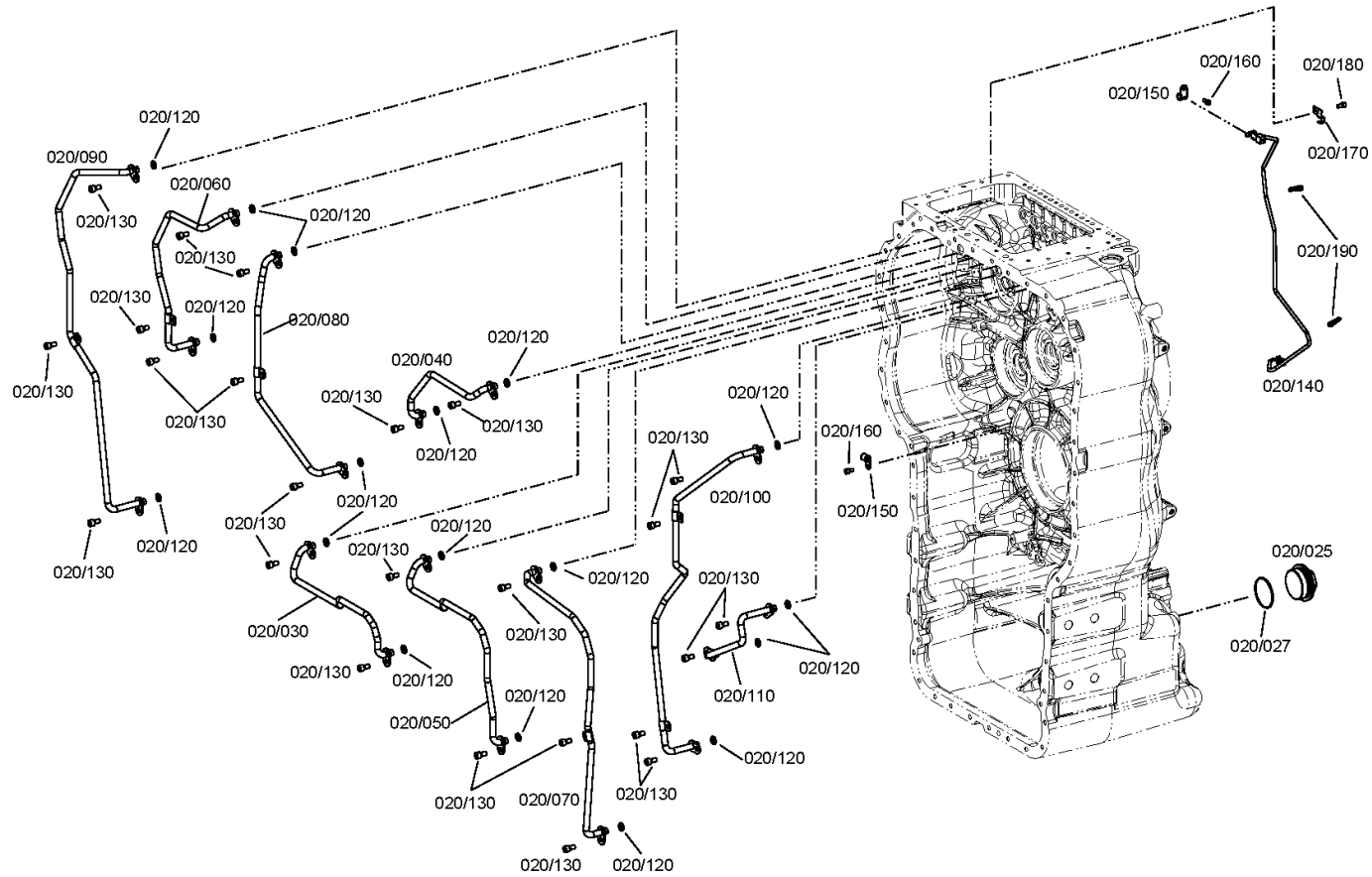
Material number: 4662.028.009

Picture: 466210101303

Material-assembly-group-no: 4662.101.013



8 EP 320 /
TRANSMISSION HOUSING



Picture

Page 4 from 4

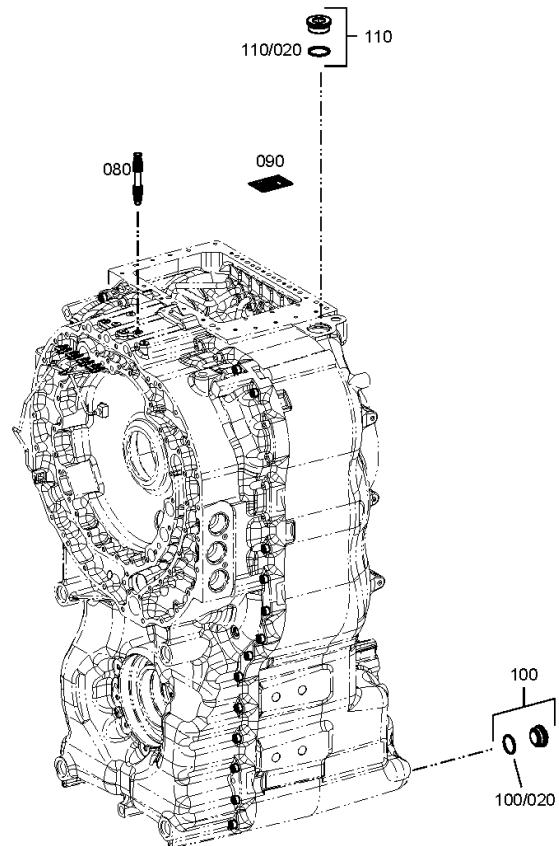
Material number: 4662.028.009

Picture: 466210101380

Material-assembly-group-no: 4662.101.013



8 EP 320 /
TRANSMISSION HOUSING



Picture

Page 1 from 1

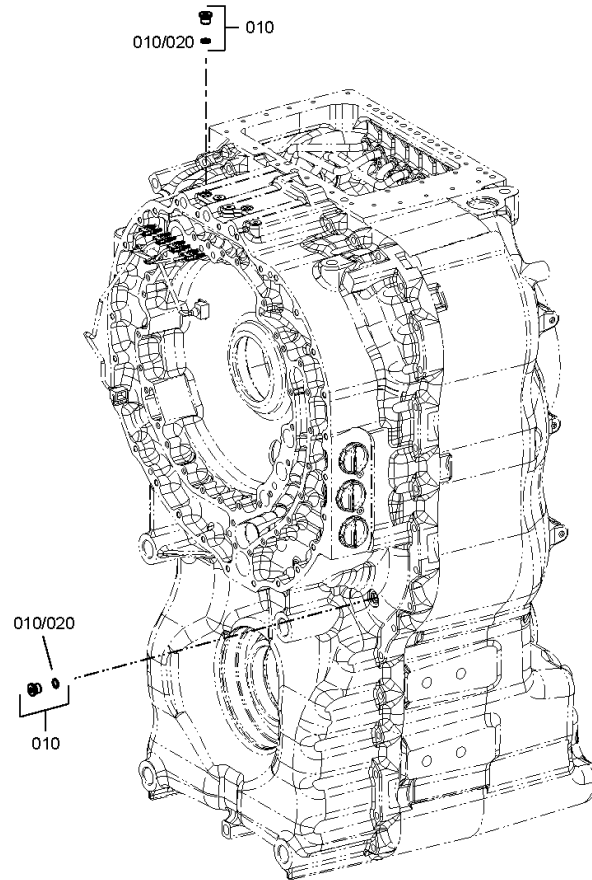
Material number: 4662.028.009

Picture: 466210140000

Material-assembly-group-no: 4662.101.400



8 EP 320 /
TRANSMISSION HOUSING



Picture

Page 1 from 1

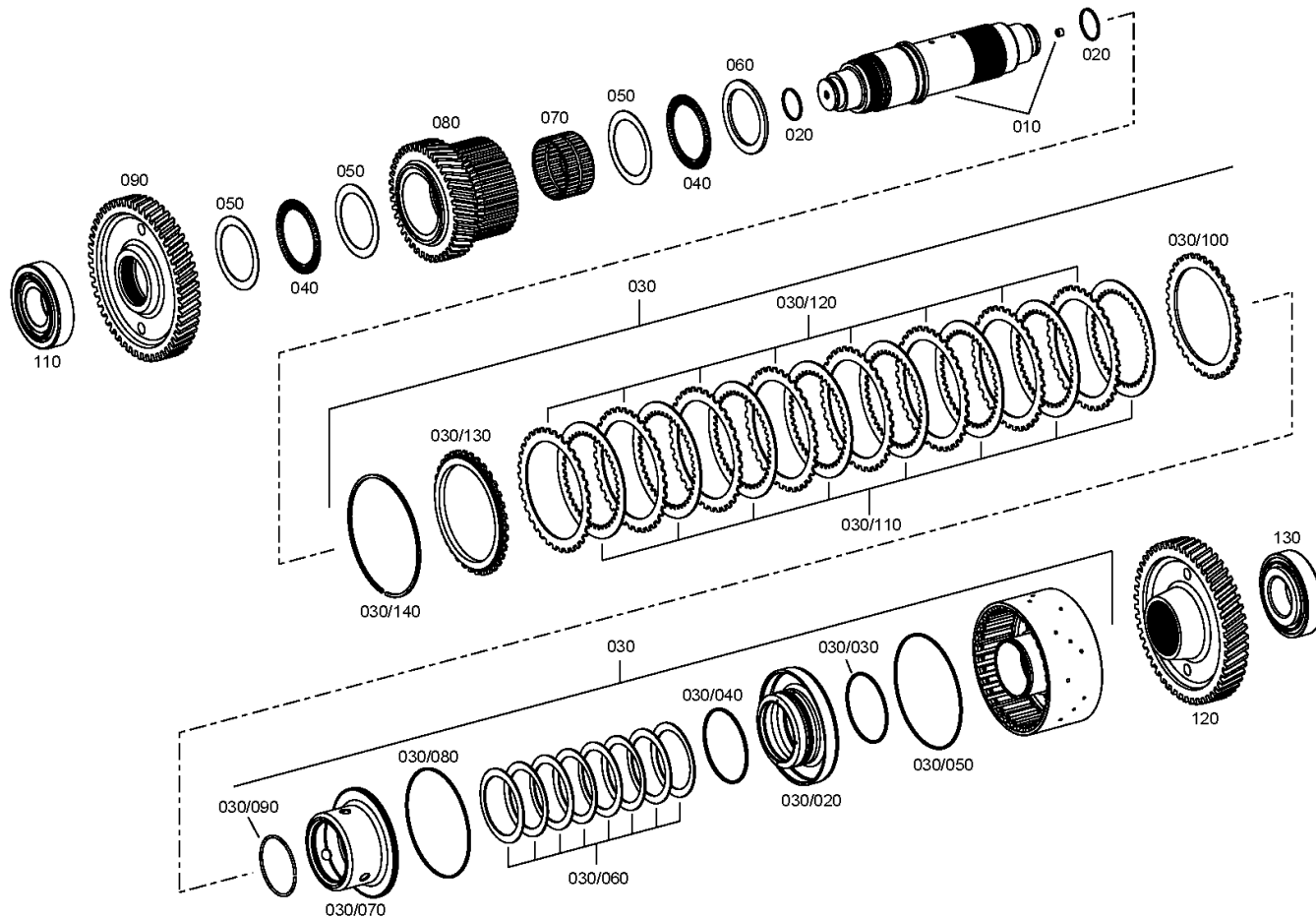
Material number: 4662.028.009

Picture: 466217101100

Material-assembly-group-no: 4662.171.011



8 EP 320 /
COUPLING



Picture

Page 1 from 1

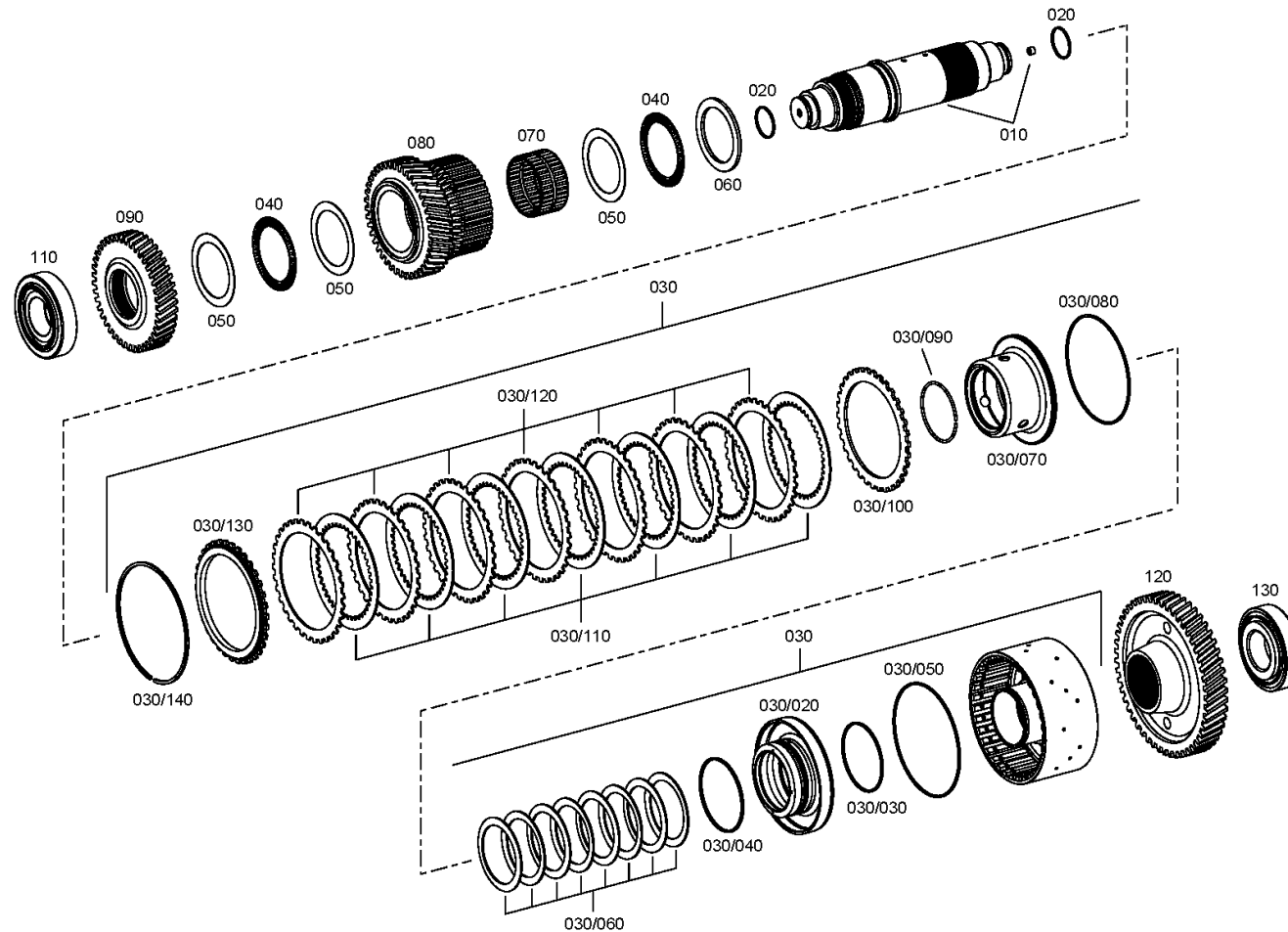
Material number: 4662.028.009

Picture: 466217200800

Material-assembly-group-no: 4662.172.008



8 EP 320 /
COUPLING



Picture

Page 1 from 1

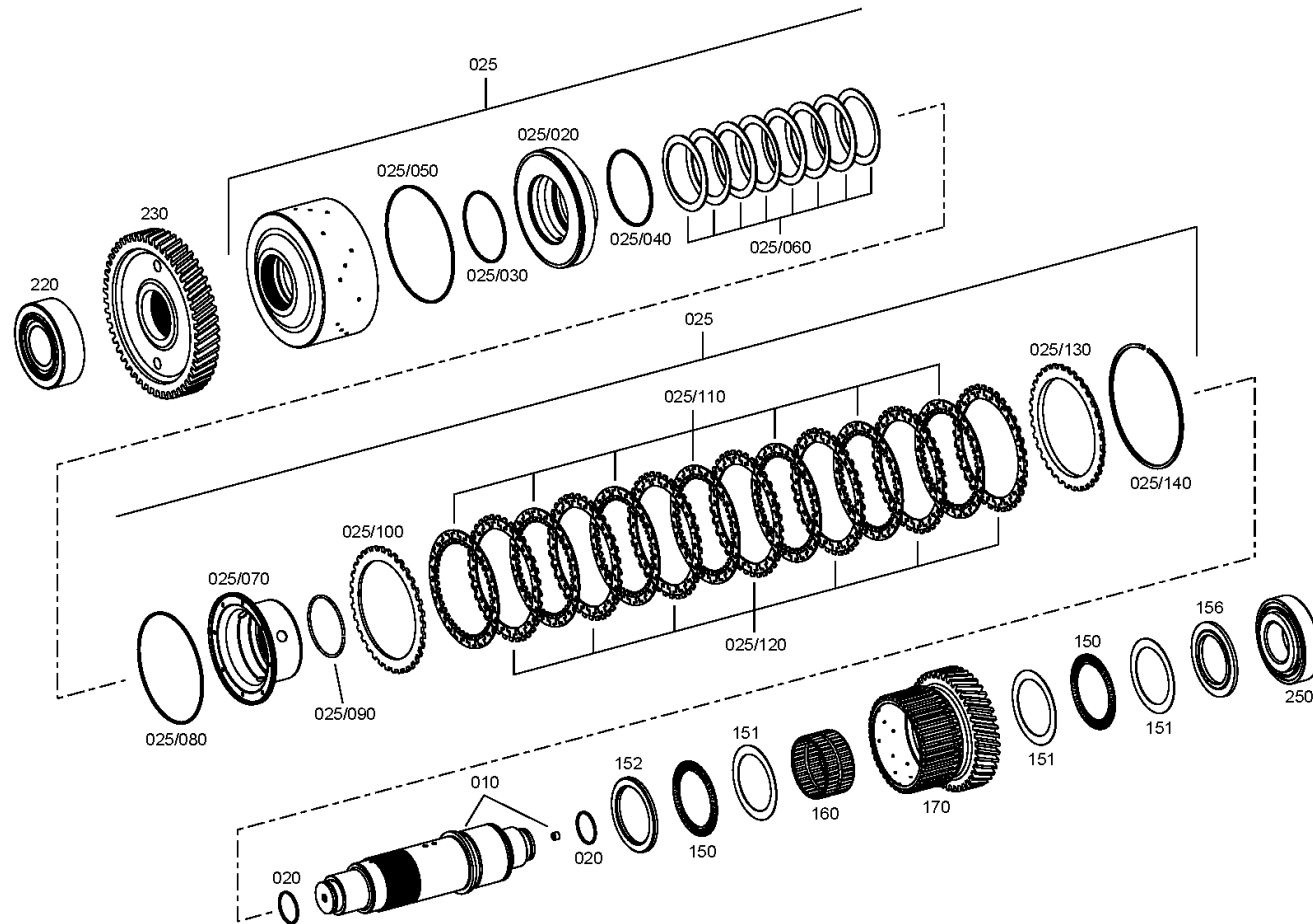
Material number: 4662.028.009

Picture: 466217300600

Material-assembly-group-no: 4662.173.006



8 EP 320 /
COUPLING



Picture

Page 1 from 1

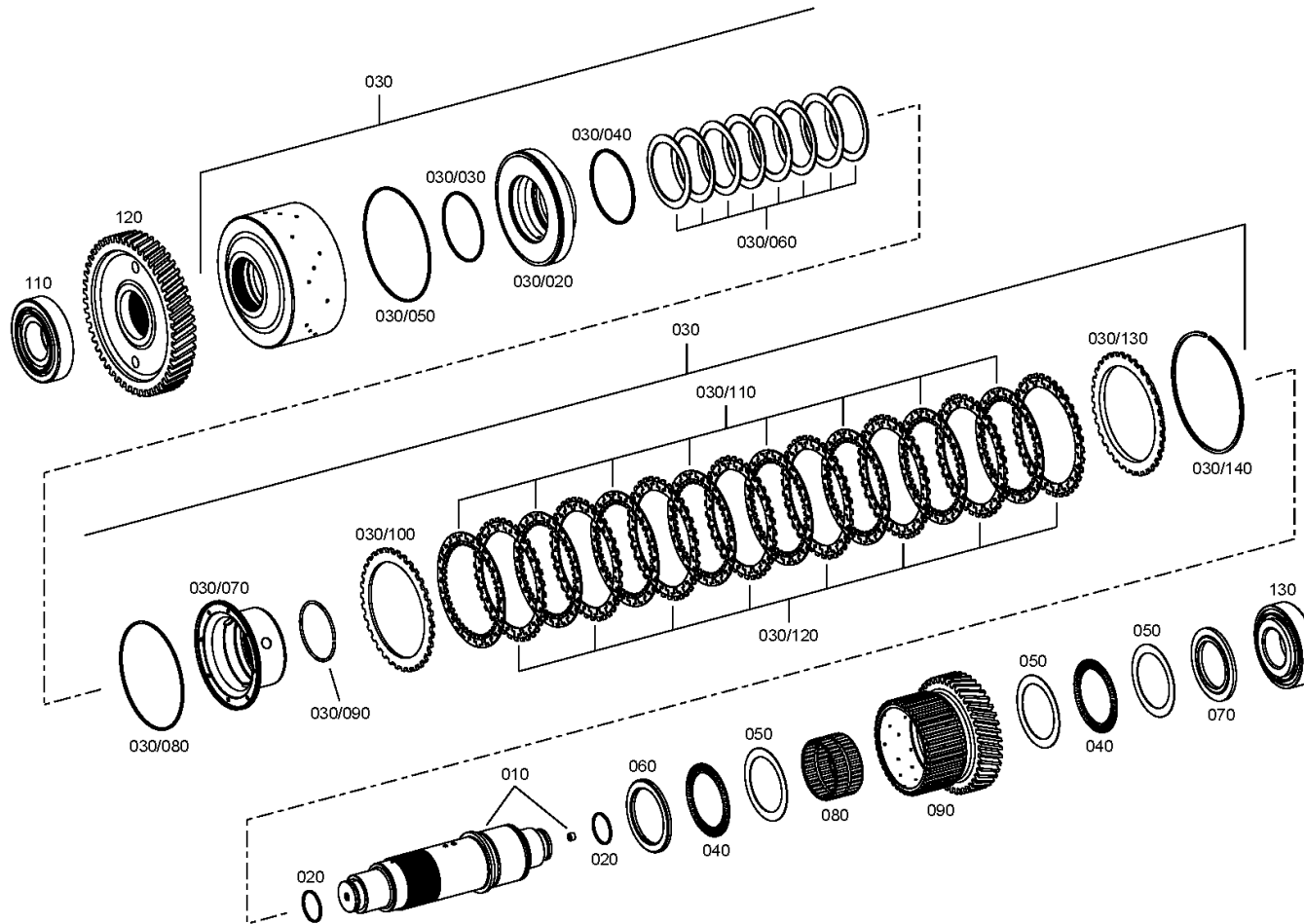
Material number: 4662.028.009

Picture: 466217400500

Material-assembly-group-no: 4662.174.005



8 EP 320 /
COUPLING



Picture

Page 1 from 1

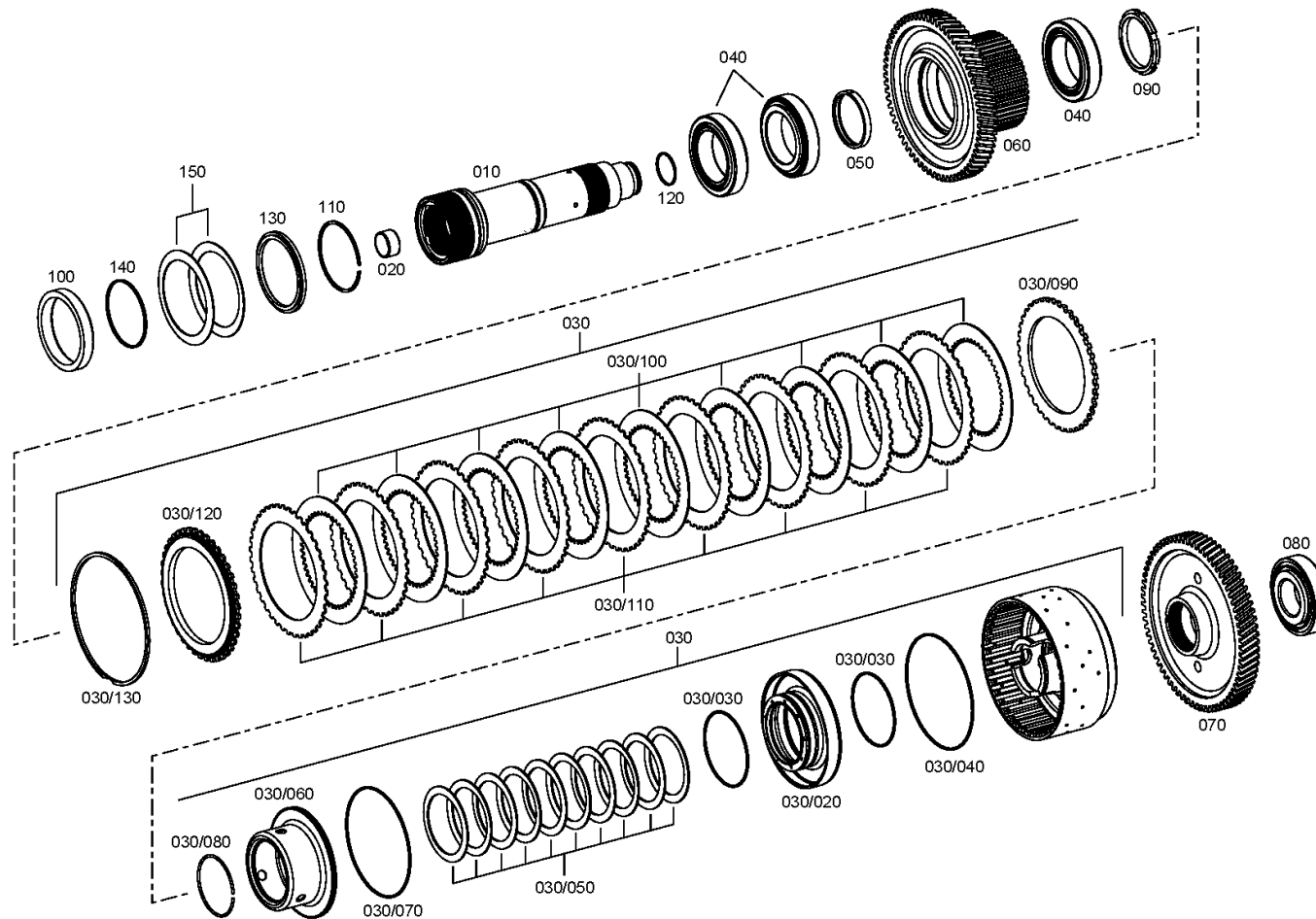
Material number: 4662.028.009

Picture: 466217500700

Material-assembly-group-no: 4662.175.007



8 EP 320 /
COUPLING



Picture

Page 1 from 1

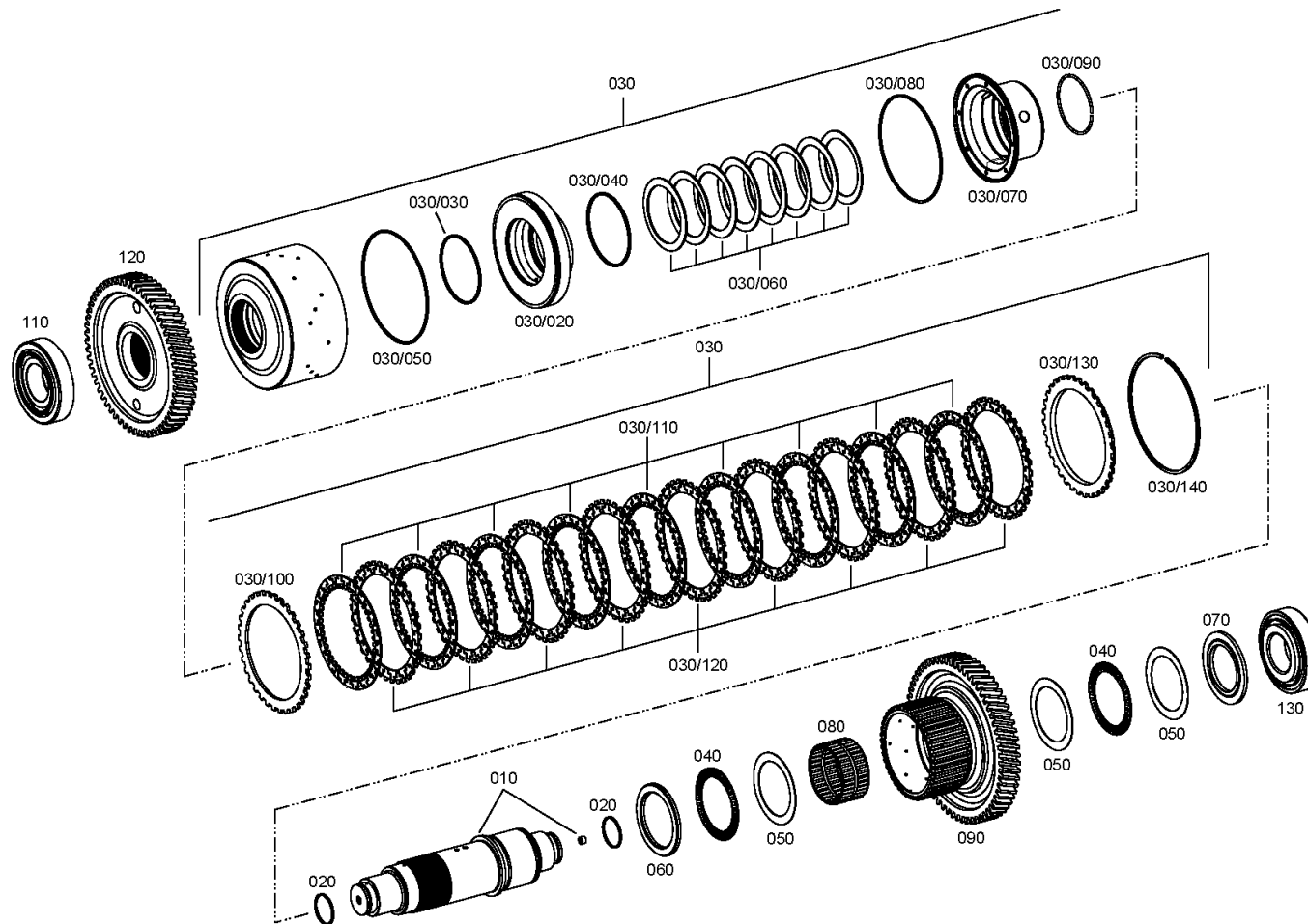
Material number: 4662.028.009

Picture: 466217600500

Material-assembly-group-no: 4662.176.005



8 EP 320 /
COUPLING



Picture

Page 1 from 1

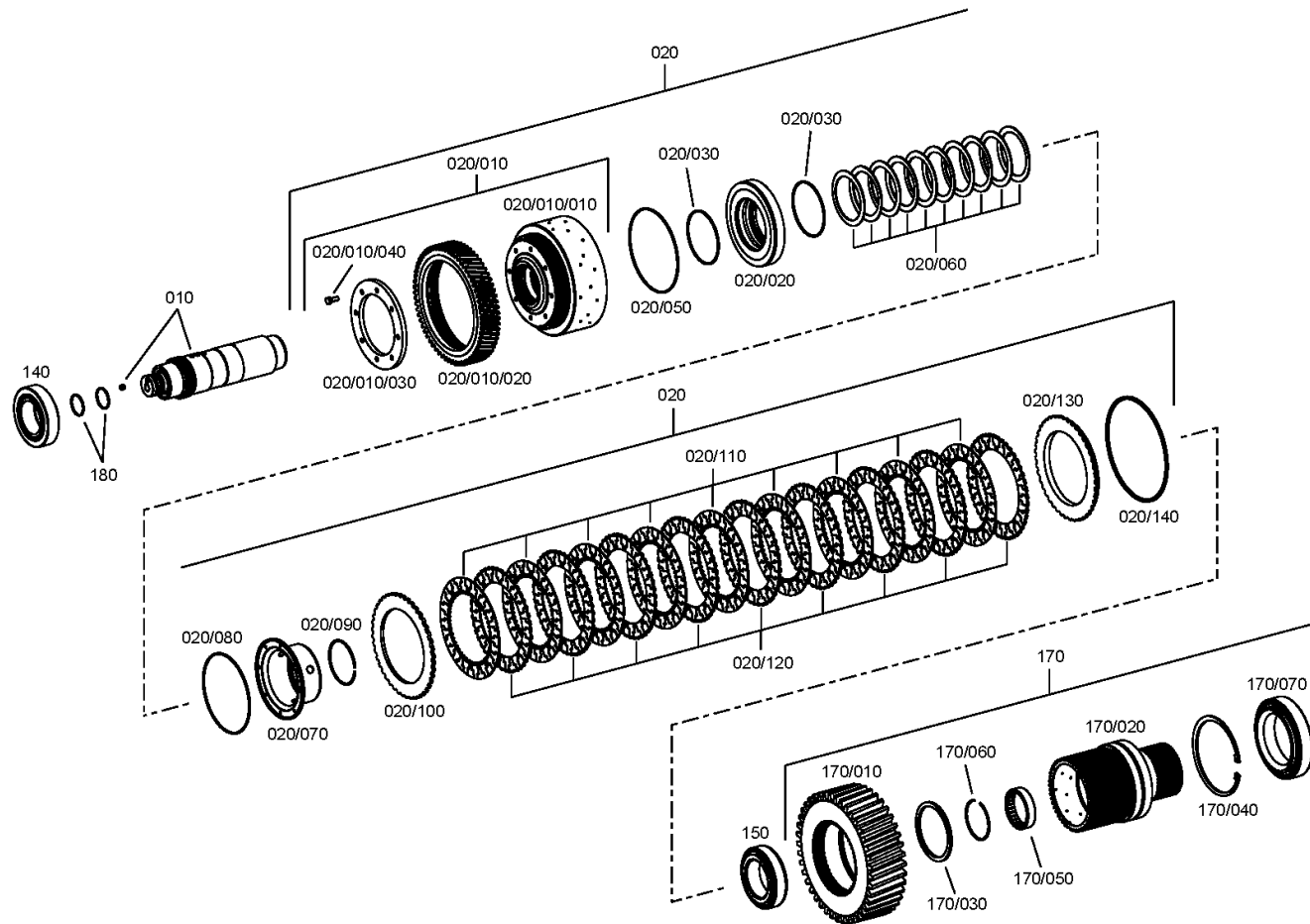
Material number: 4662.028.009

Picture: 466217701000

Material-assembly-group-no: 4662.177.010



8 EP 320 /
CLUTCH



Picture

Page 1 from 2

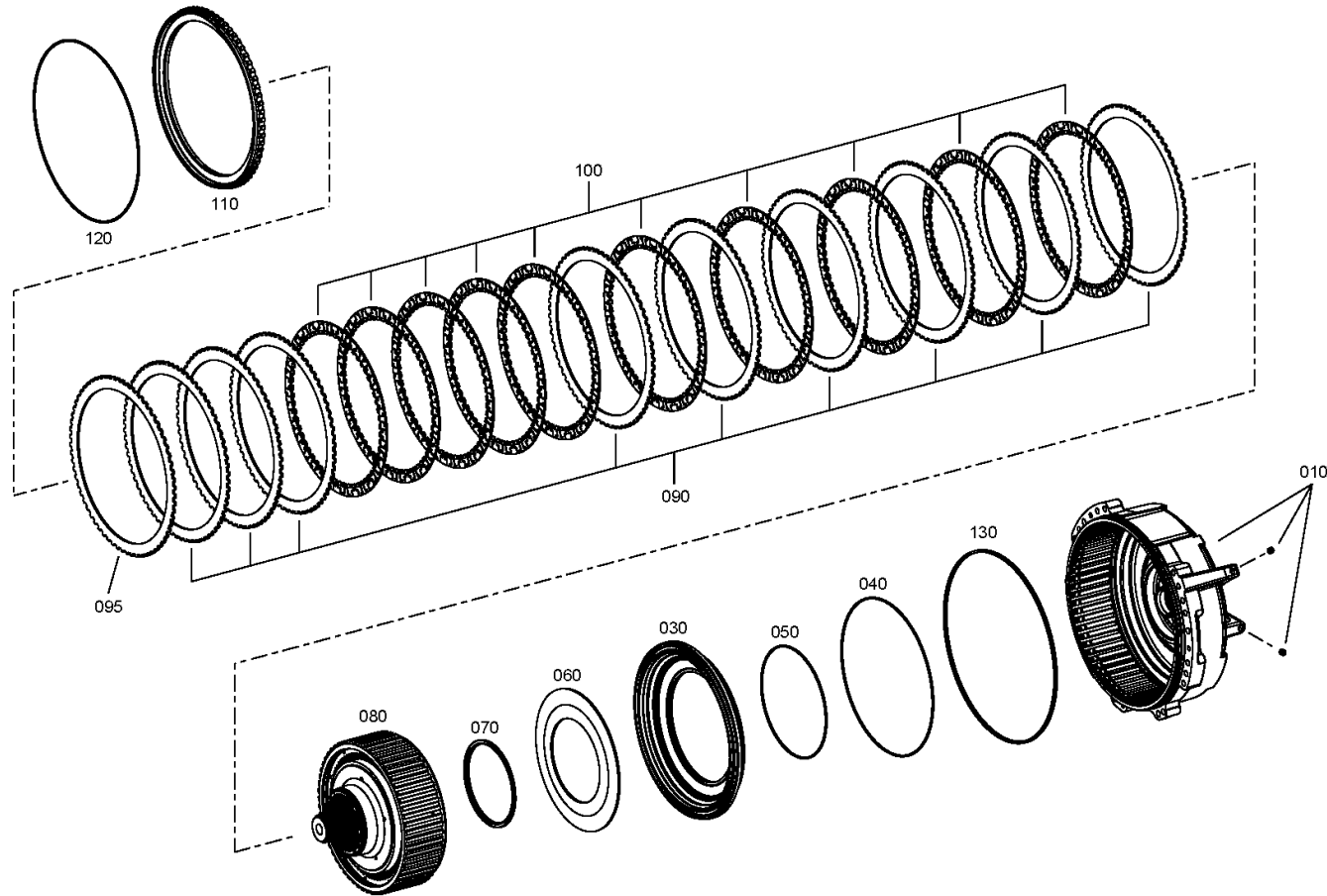
Material number: 4662.028.009

Picture: 466212300901

Material-assembly-group-no: 4662.123.009



8 EP 320 /
PLANETARY DRIVE



Picture

Page 2 from 2

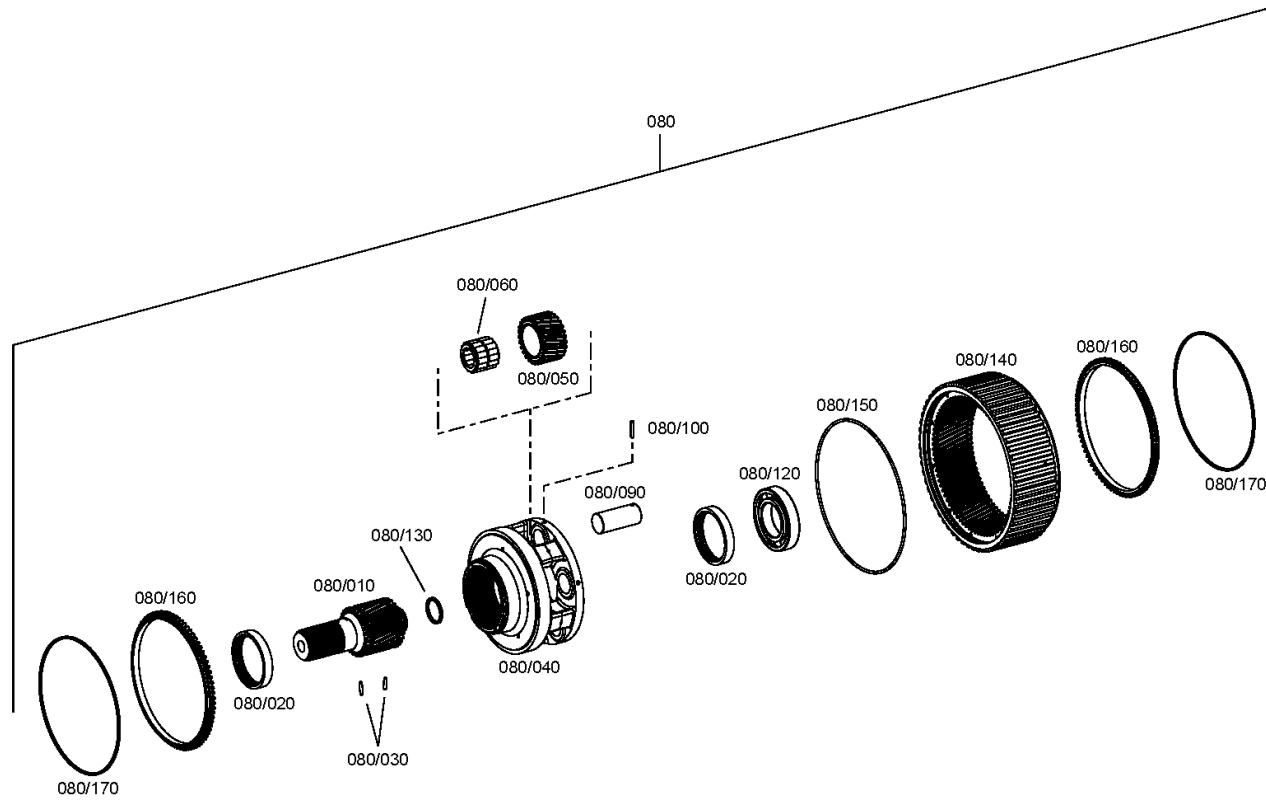
Material number: 4662.028.009

Picture: 466212300902

Material-assembly-group-no: 4662.123.009



8 EP 320 /
PLANETARY DRIVE



Picture

Page 1 from 1

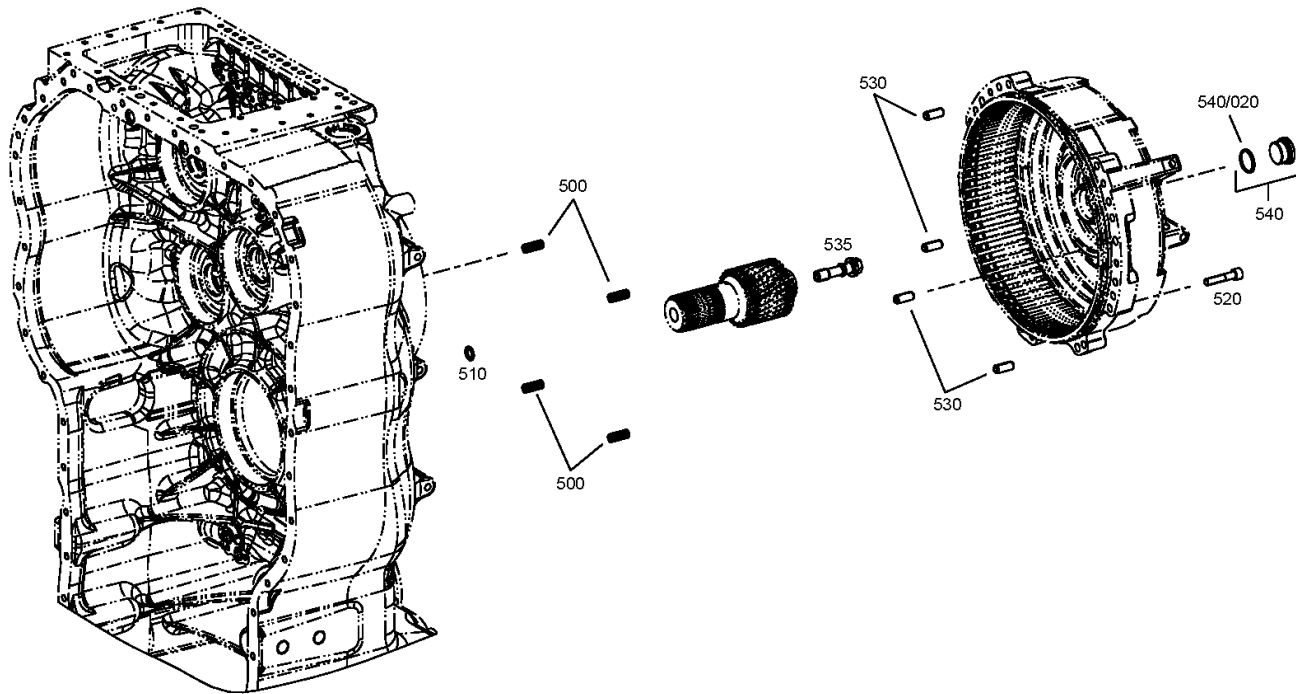
Material number: 4662.028.009

Picture: 466212340100

Material-assembly-group-no: 4662.123.401



8 EP 320 /
PLANETARY DRIVE



Picture

Page 1 from 3

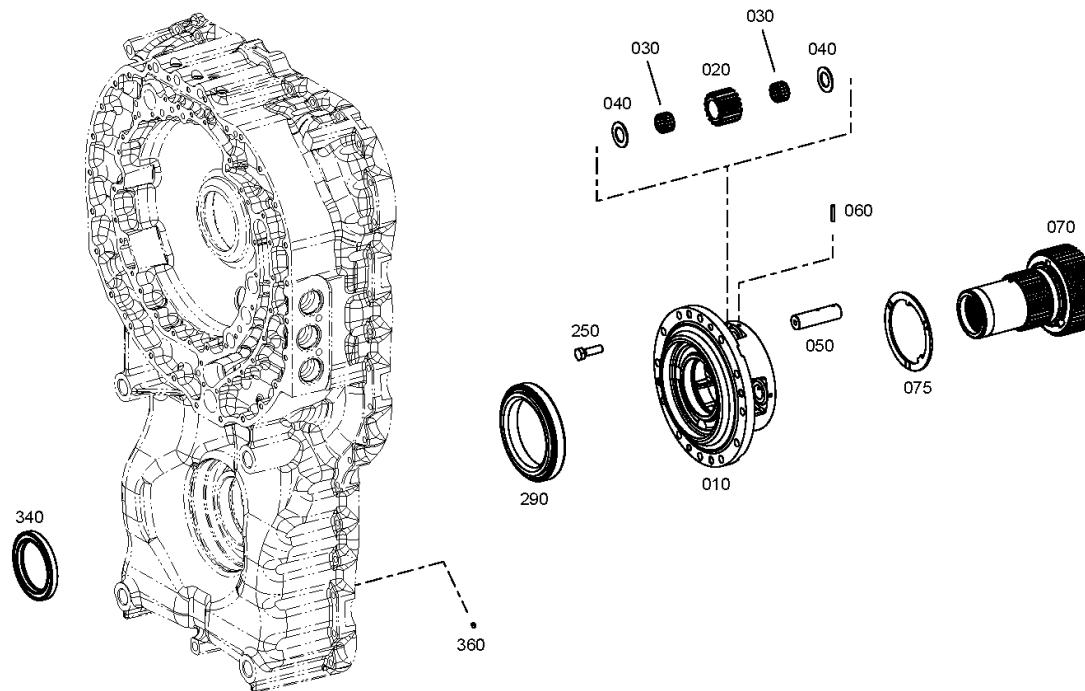
Material number: 4662.028.009

Picture: 466210400601

Material-assembly-group-no: 4662.104.006



8 EP 320 /
DIFFERENTIAL



Picture

Page 2 from 3

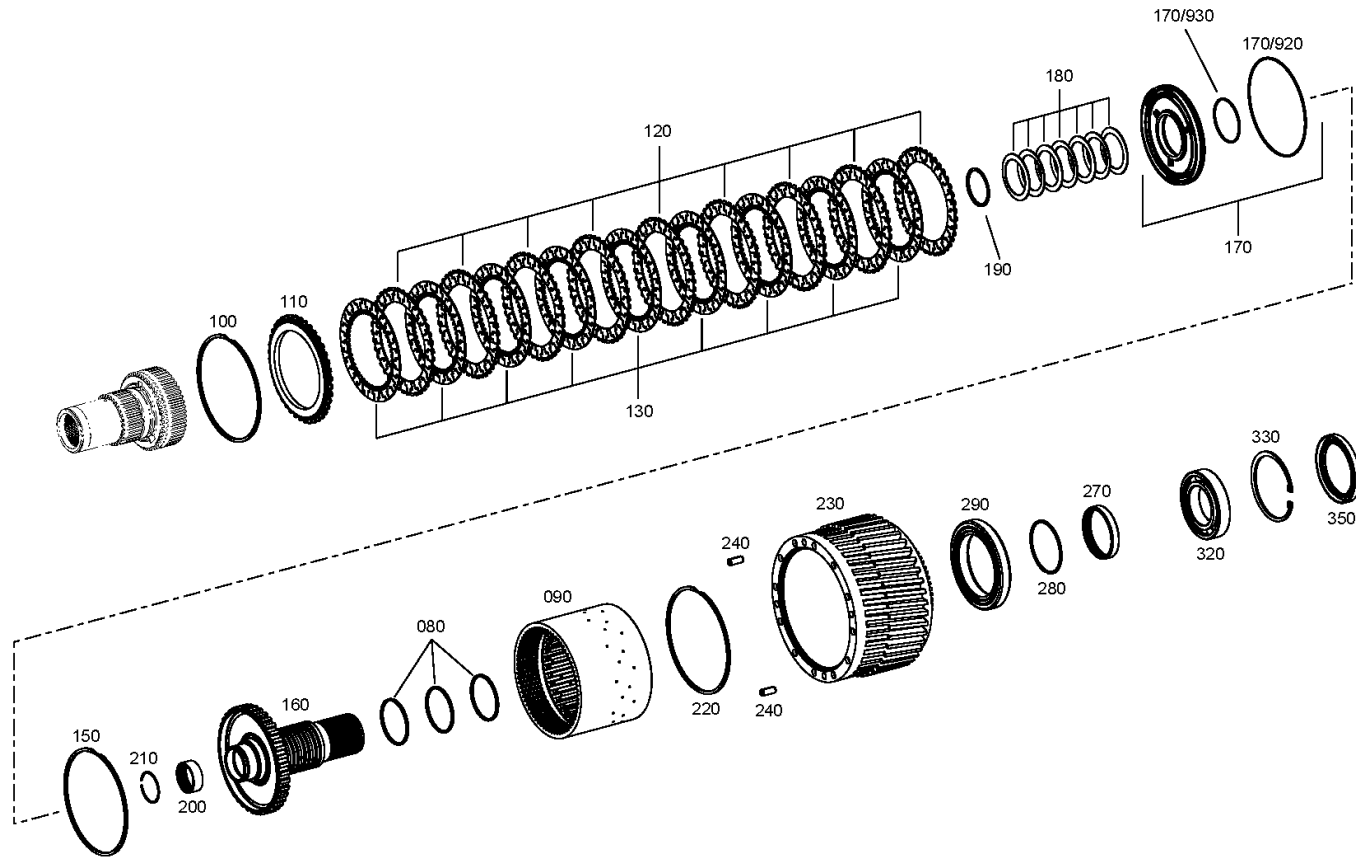
Material number: 4662.028.009

Picture: 466210400602

Material-assembly-group-no: 4662.104.006



8 EP 320 /
DIFFERENTIAL



Picture

Page 3 from 3

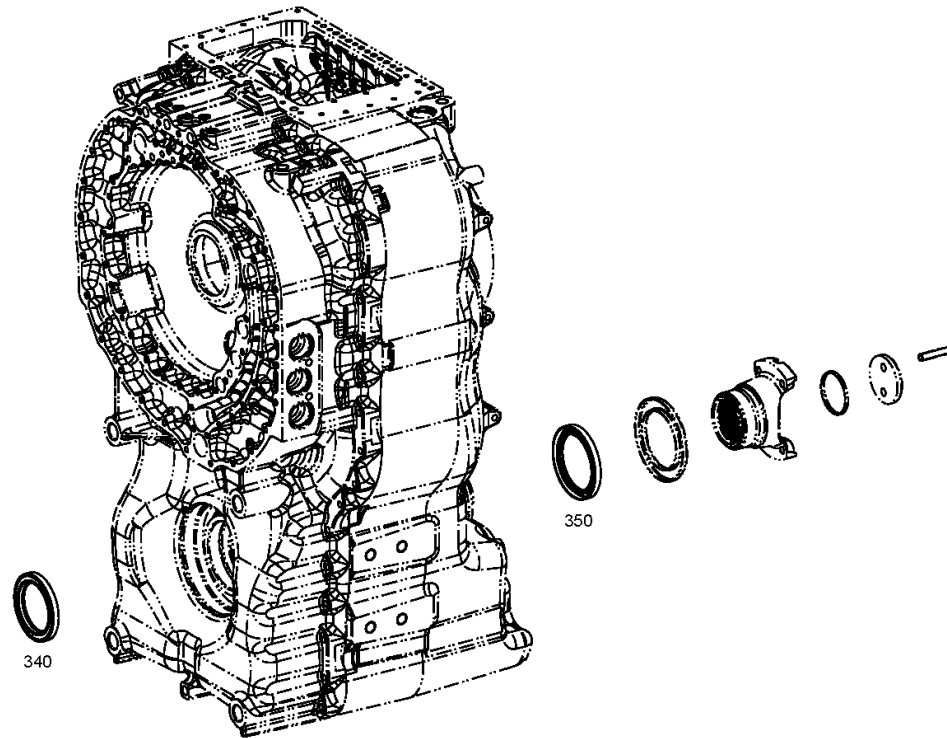
Material number: 4662.028.009

Picture: 466210400680

Material-assembly-group-no: 4662.104.006



8 EP 320 /
DIFFERENTIAL



Picture

Page 1 from 1

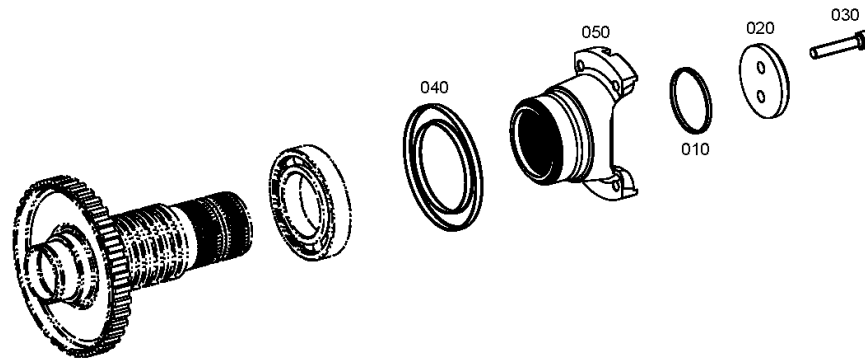
Material number: 4662.028.009

Picture: 466210540200

Material-assembly-group-no: 4662.105.402



8 EP 320 /
OUTPUT



Picture

Page 1 from 2

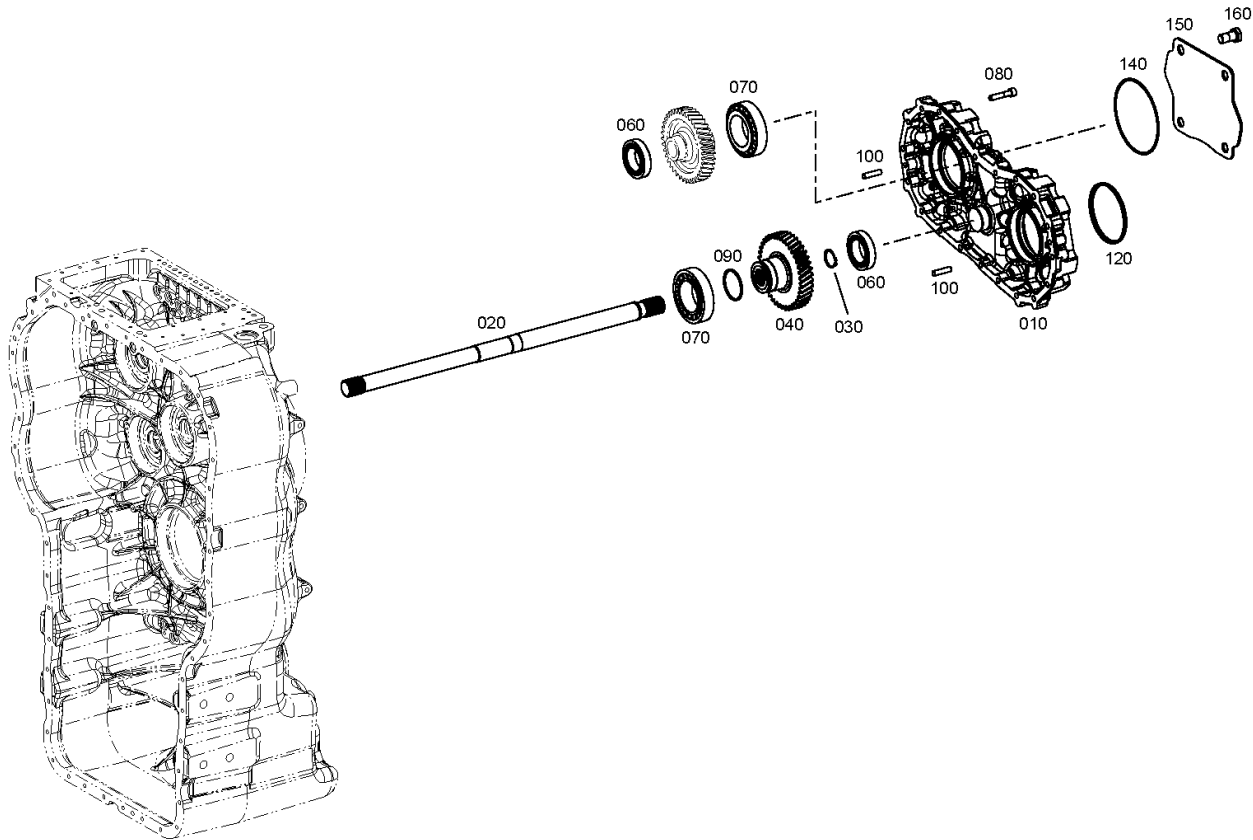
Material number: 4662.028.009

Picture: 466215401100

Material-assembly-group-no: 4662.154.011



8 EP 320 /
POWER TAKE-OFF



Picture

Page 2 from 2

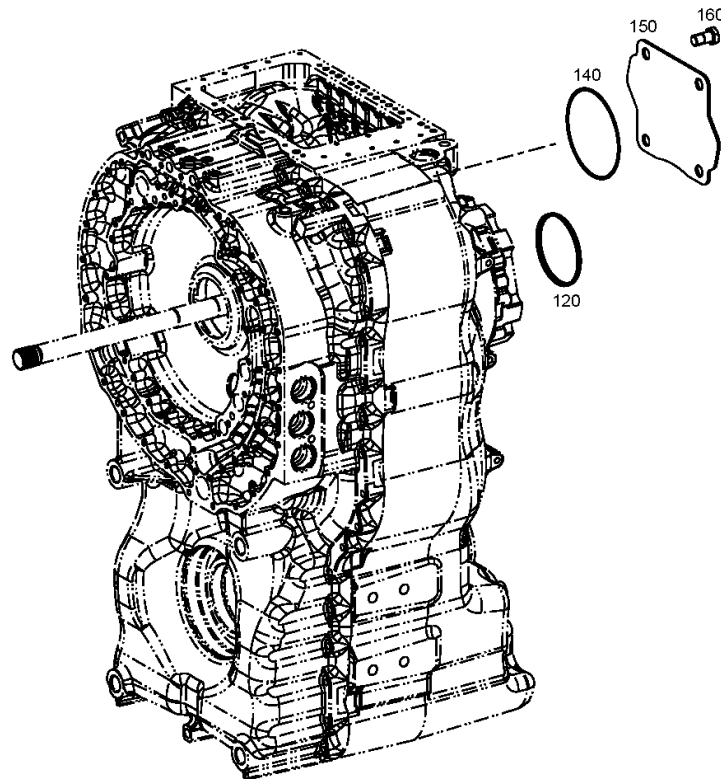
Material number: 4662.028.009

Picture: 466215401180

Material-assembly-group-no: 4662.154.011



8 EP 320 /
POWER TAKE-OFF



Picture

Page 1 from 1

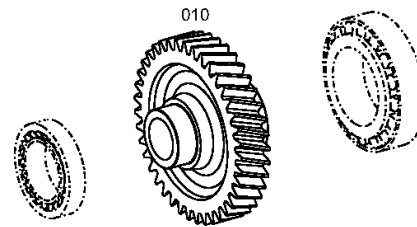
Material number: 4662.028.009

Picture: 466215440300

Material-assembly-group-no: 4662.154.403



8 EP 320 /
POWER TAKE-OFF



Picture

Page 1 from 1

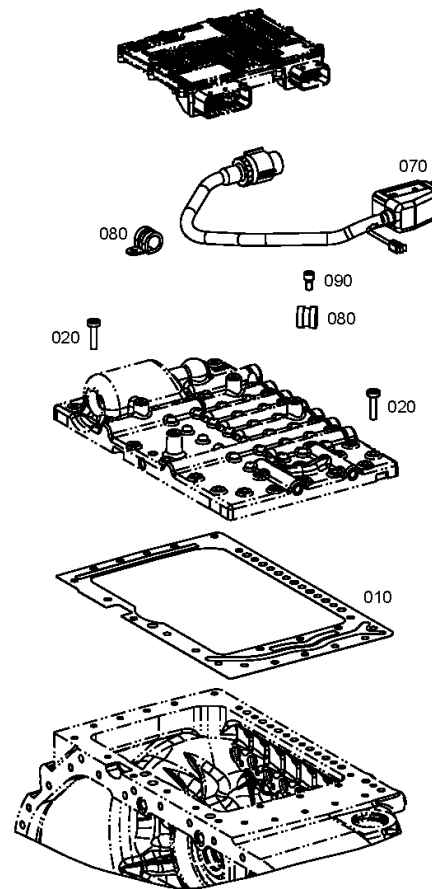
Material number: 4662.028.009

Picture: 466210600100

Material-assembly-group-no: 4662.106.001



8 EP 320 /
SHIFT SYSTEM



Picture

Page 1 from 1

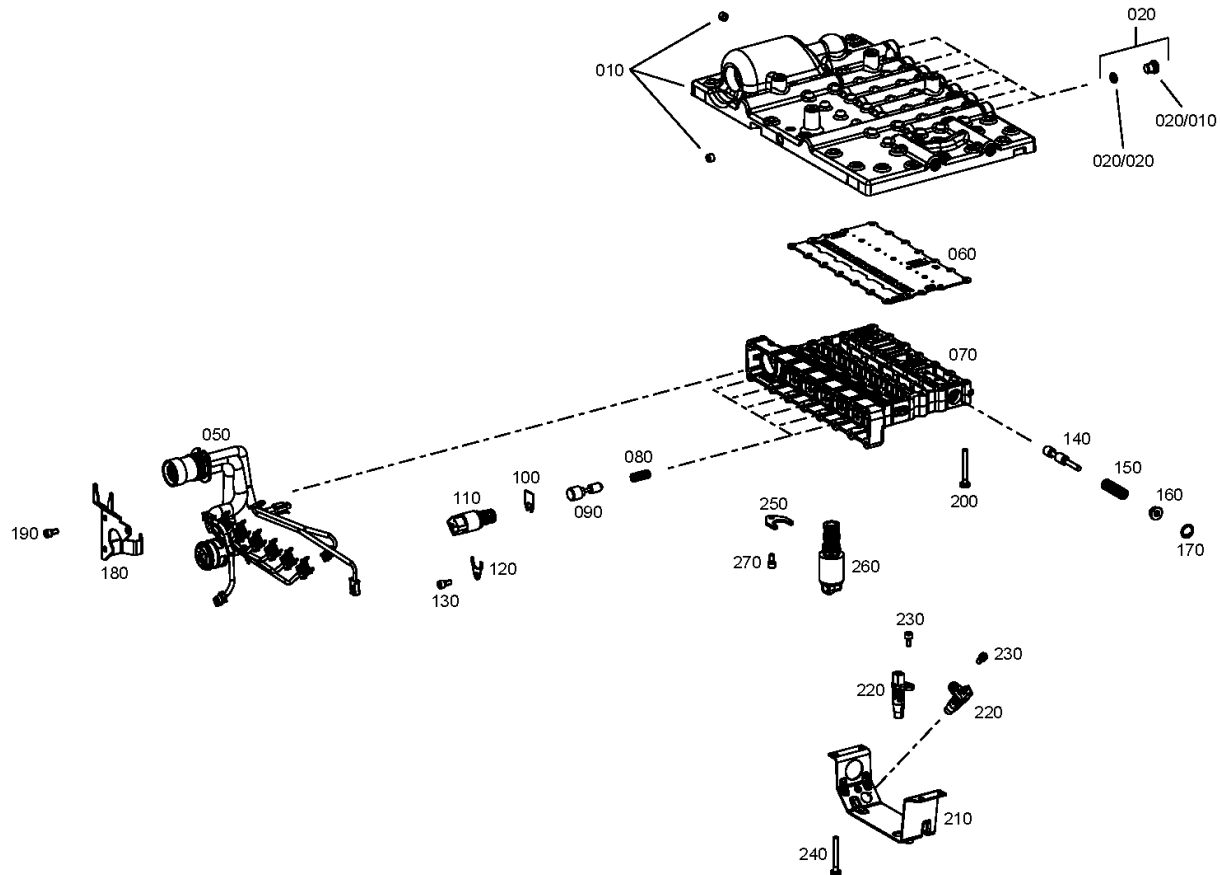
Material number: 4662.028.009

Picture: 466215900300

Material-assembly-group-no: 4662.159.003



8 EP 320 /
SHIFT SYSTEM



Picture

Page 1 from 1

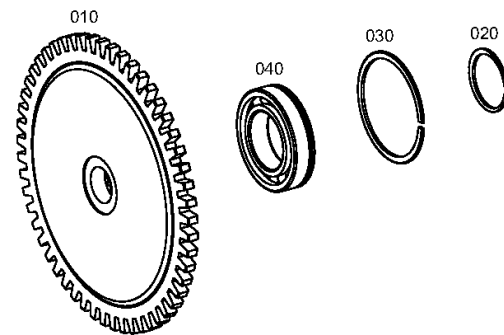
Material number: 4662.028.009

Picture: 466213700300

Material-assembly-group-no: 4662.137.003



8 EP 320 /
EMERGENCY STEERING PUMP



Picture

Page 1 from 1

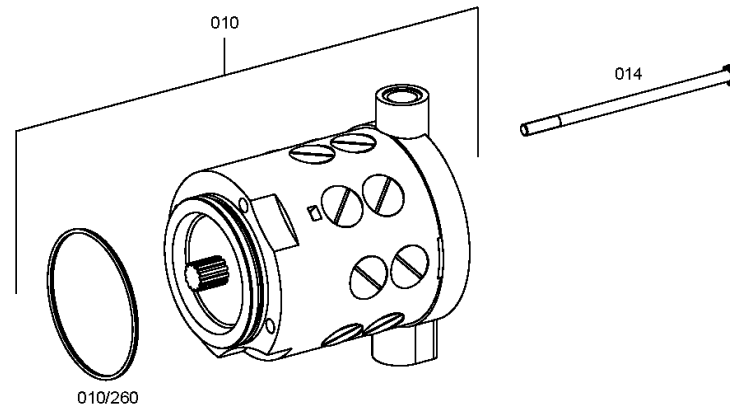
Material number: 4662.028.009

Picture: 466213740100

Material-assembly-group-no: 4662.137.401



8 EP 320 /
EMERGENCY STEERING PUMP



Picture

Page 1 from 1

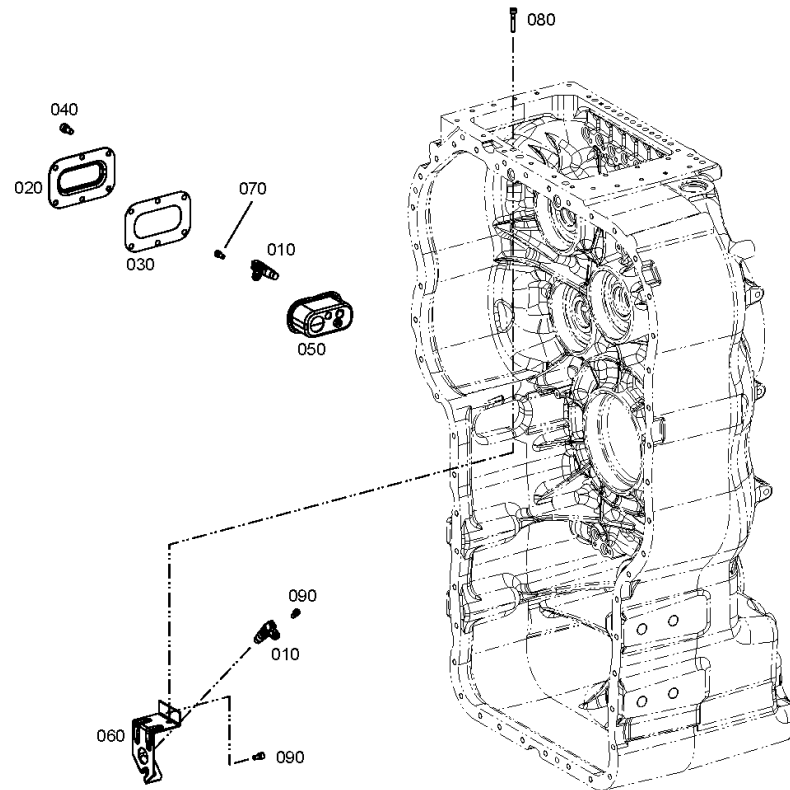
Material number: 4662.028.009

Picture: 466212500300

Material-assembly-group-no: 4662.125.003



8 EP 320 /
SPEED SENSOR



Picture

Page 1 from 1

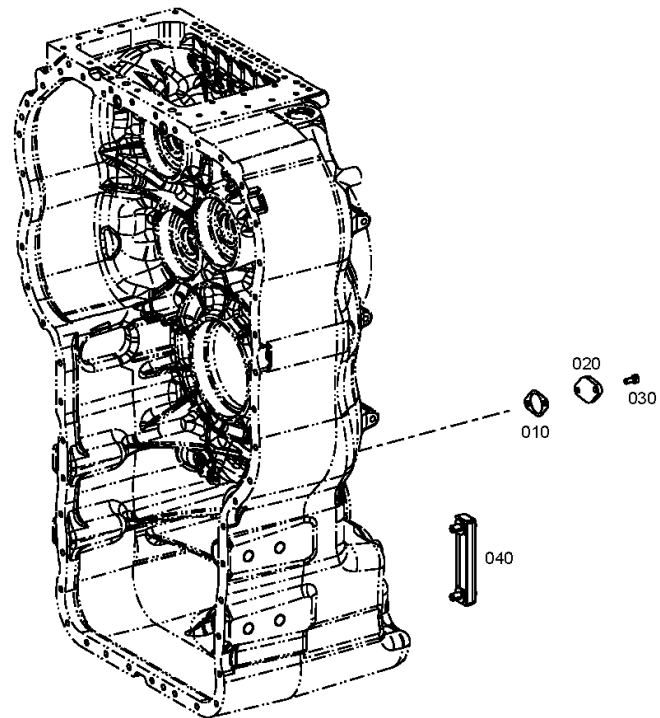
Material number: 4662.028.009

Picture: 466213100100

Material-assembly-group-no: 4662.131.001



8 EP 320 /
OIL LEVEL INDIC



Picture

Page 1 from 1

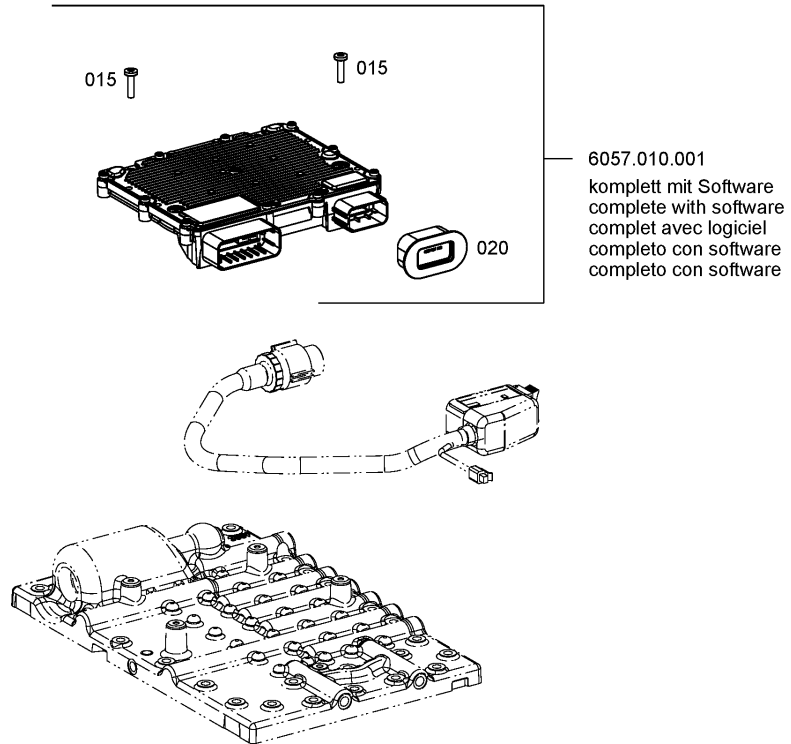
Material number: 4662.028.009

Picture: 605701000100

Material-assembly-group-no: 6057.010.001



8 EP 320 /
TCU EP400 EC2



Picture

Page 1 from 1

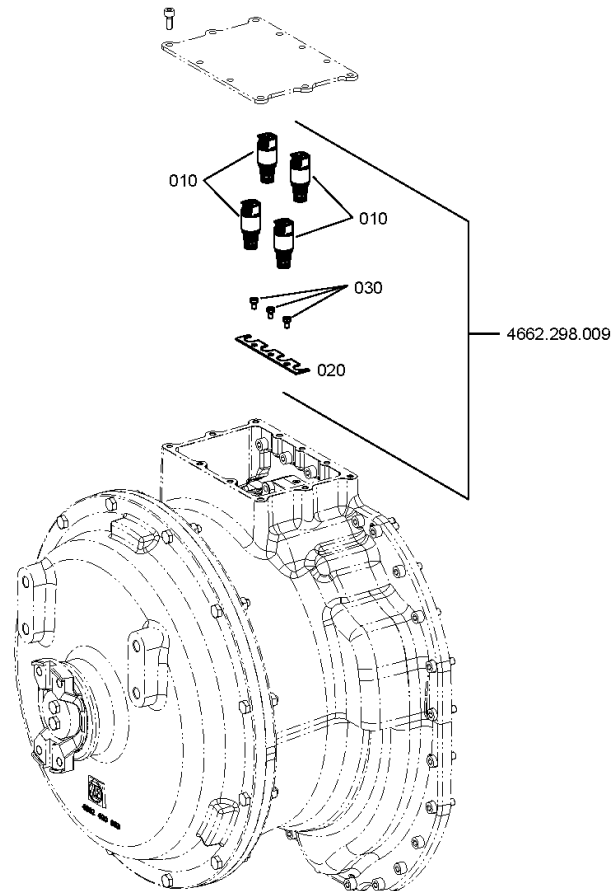
Material number: 4662.028.009

Picture: 466229800900

Material-assembly-group-no: 4662.298.009



8 EP 320 /
SHIFT SYSTEM



Picture

Page 1 from 1

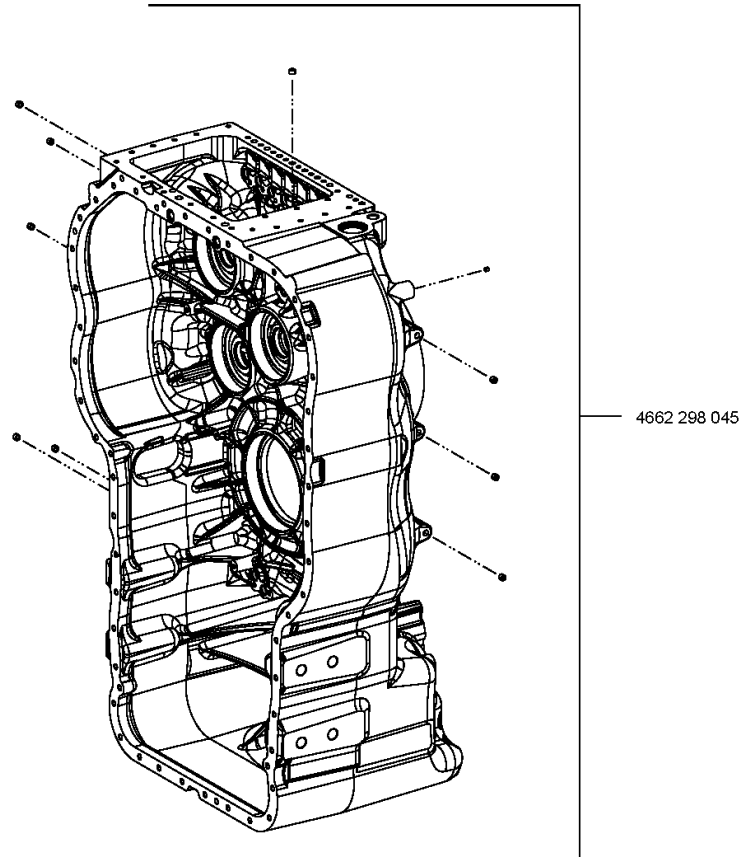
Material number: 4662.028.009

Picture: 466229804500

Material-assembly-group-no: 4662.298.045



8 EP 320 /
HOUSING II



Picture

Page 1 from 1

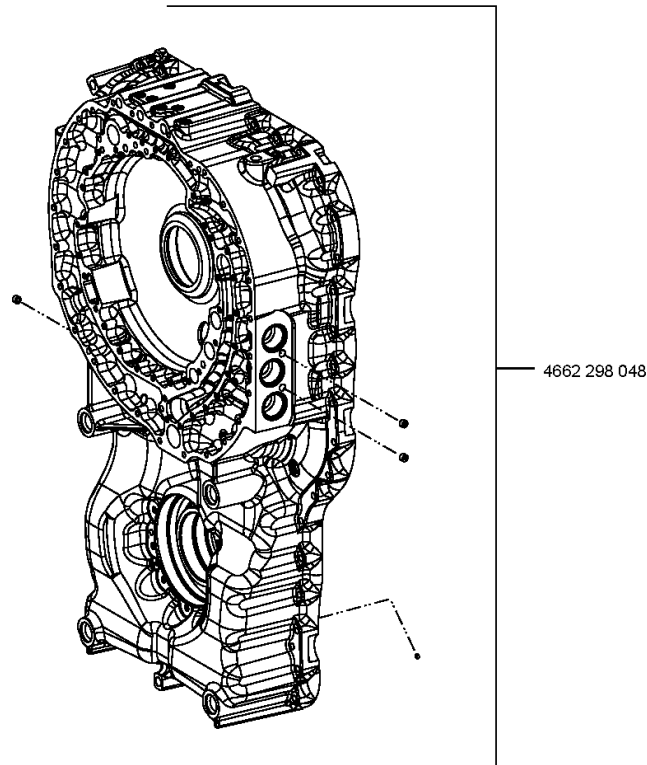
Material number: 4662.028.009

Picture: 466229804800

Material-assembly-group-no: 4662.298.048



8 EP 320 /
HOUSING I



Picture

Page 1 from 2

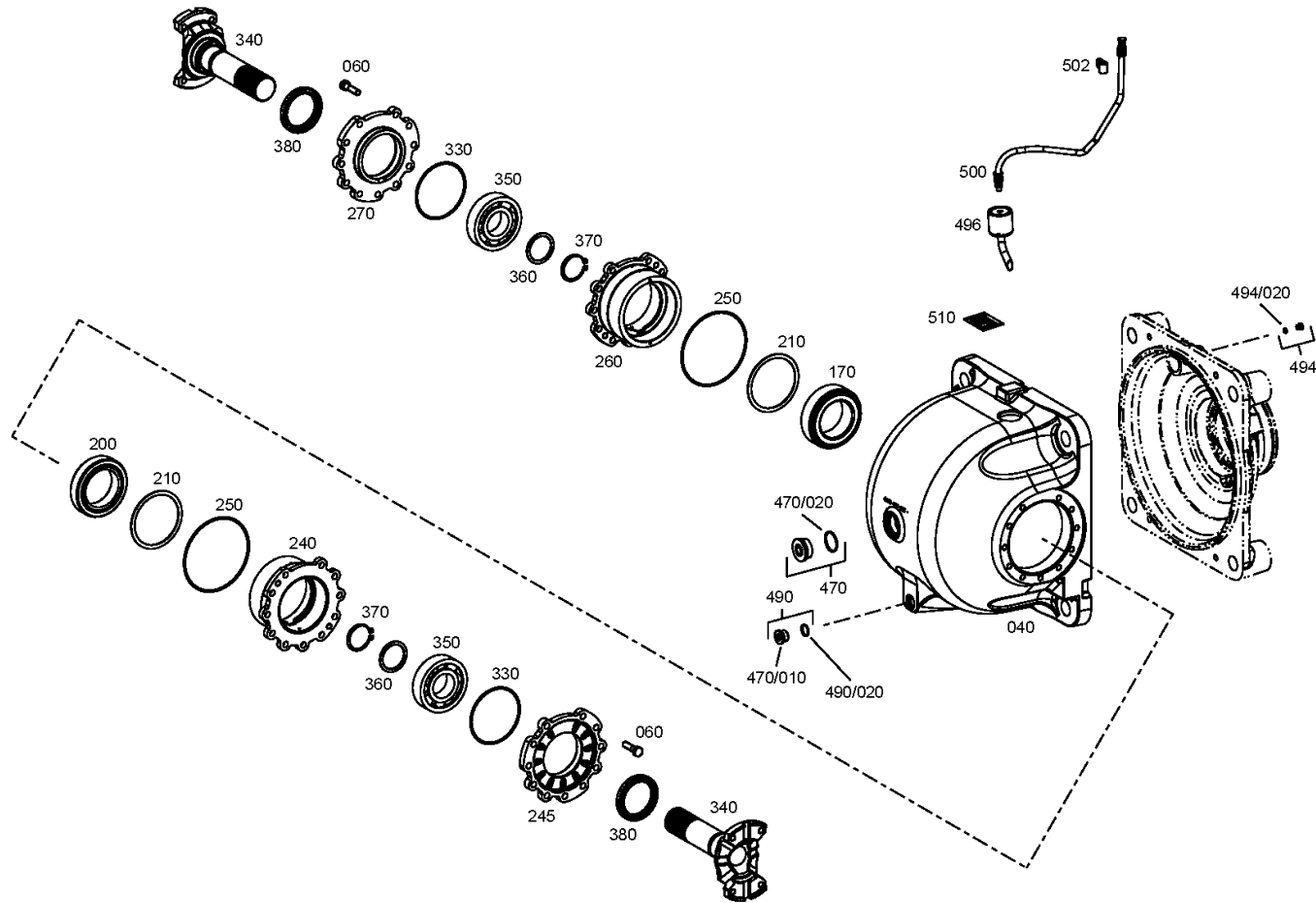
Material number: 4460.026.064

Picture: 446012603700

Material-assembly-group-no: 4460.126.037



8 EP 320 /
HOUSING



Picture

Page 2 from 2

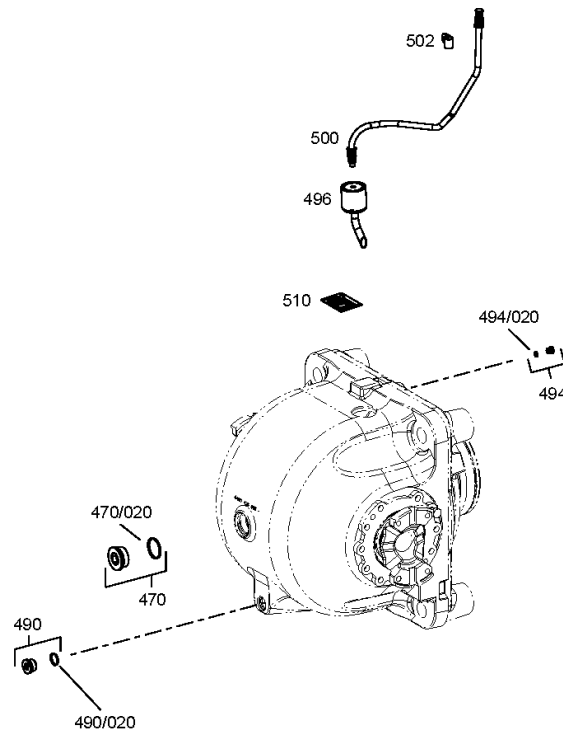
Material number: 4460.026.064

Picture: 446012603780

Material-assembly-group-no: 4460.126.037



8 EP 320 /
HOUSING



Picture

Page 1 from 2

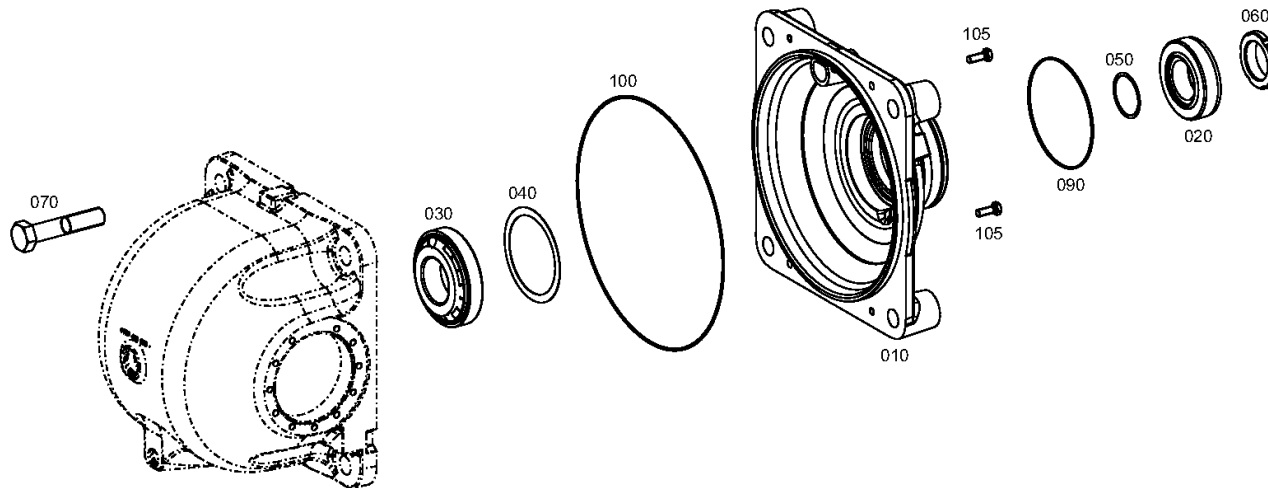
Material number: 4460.026.064

Picture: 446010200300

Material-assembly-group-no: 4460.102.003



8 EP 320 /
INPUT



Picture

Page 2 from 2

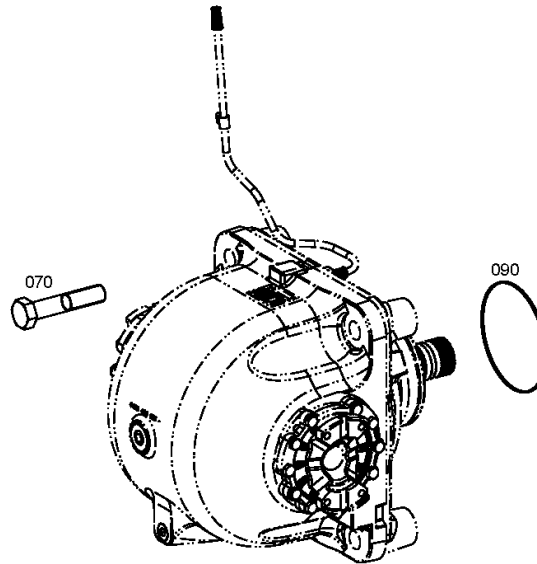
Material number: 4460.026.064

Picture: 446010200305

Material-assembly-group-no: 4460.102.003



8 EP 320 /
INPUT



Picture

Page 1 from 1

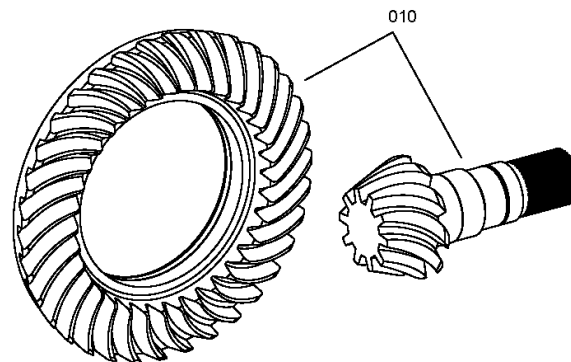
Material number: 4460.026.064

Picture: 446013600200

Material-assembly-group-no: 4460.136.002



8 EP 320 /
BEVEL GEAR SET



Picture

Page 1 from 1

Material number: 4460.026.064

Picture: 448101600300

Material-assembly-group-no: 4481.016.003



8 EP 320 /

MULTIDISK SELF-LOCKING DIFFERENTIAL

