



Spare Parts Catalog

2 HC 85

Material number: 4663.002.011

Current date: 28.08.2019

ZF Friedrichshafen AG
Hauptverwaltung
80038 Friedrichshafen
Deutschland

Telefon: +49 7541 77-0

Telefax: +49 7541 77-908000

www.zf.com

zuständiges Werk:
Passau

Notes relating to the spare parts catalog

Setup of the spare parts catalog

- Cover sheet
- Technical Cover (only in SDM print)
- Overview of figures
- Figure
- Associated parts list
- Next figure
- Associated parts list
- ...

Figure and parts list



Overview of figures

Bildtafel Figure	Sachnummer Product number	Benennung (Description)	Technische Info Technical info	Description (Benennung)	Menge Quantity	Einheit Unit
068.08.17	1316.170.001	AUSLEGER	WL	SHIFT TURRET	1	Stk
068.08.06	1316.170.031	DECKEL	WL*H-H *VM	COVER	1	Stk
068.08.14	1316.170.808	DECKEL	WL*AUSL+GEH*H-H*HF160N	COVER	1	Stk
08	1316.170.441	ANSCHLUSSTEILE	WL*NG-VORB*RG-SCHL*168N *BAJONETT	CONNECTING PARTS	1	Stk

The "gap" indicates that there is no separate graphics panel (poster) for this assembly
The parts of this assembly are shown with the same mid-section number on the figure

1 Positions and subpositions

Pos.	Sachnummer Product number	Benennung (Description)	Technische Info Technical info	Description (Benennung)	Menge Quantity	Einheit Unit
0370	1315.201.054	RUECKLAUFBOLZEN	KPL.16S151*SG*L= 79	REV.IDLER SHAFT	1	Stk
/0120	0631.329.293	SPANNSTIFT		SLOT. PIN	1	Stk

Positions marked with "/" are the individual items of a completion
For example: Position 0370 contains a centering pin with the position /0120

2 Combinations with standardized parts

Pos.	Sachnummer Product number	Benennung (Description)	Technische Info Technical info	Description (Benennung)	Menge Quantity	Einheit Unit
0630		VERSCHL.SCHR.		SCREW PLUG	1	Stk
	0636.302.067	VERSCHL.SCHR.		SCREW PLUG	1	Stk
	0634.801.249	DICHTRING	A 26 X 31	SEALING RING	1	Stk

The parts list shows the components included in the combination of standardized parts

3 Depiction of position/item number on the figure and in the parts list

01.620 - on the figure 01 relates to the assembly in which the position is included. Due to program-related reasons, it is shown on the figure.

0620 - in the parts list

Pos.	Sachnummer Product number	Benennung (Description)	Technische Info Technical info	Description (Benennung)	Menge Quantity	Einheit Unit
0620	0732.040.736	DRUCKFEDER		COMPRESSION SPRING	1	Stk

4 *-Positions

Positions marked with an * are optional i.e. inclusion in the parts list is not mandatory.
The following note is shown on the figure

je nach Stücklistenausführung
depending on spec. number
*
suivant la nomenclature
secondo la distinta base

5 Parts, dotted display

Parts with dotted display on the figure are only used for orientation of other parts

Technical Cover

Page 1 from 1

Material number: 4663.002.011



2 HC 85 /

Pos.	Information	Amendment number
	CUSTOMER: MANITOU	
	VEHICLE DESIGNATION: MLT 635/MLT 740/MLT 940	
	WEIGHT EMPTY: 7,340 TO/7,475 TO/7,950 TO	
	ENGINE:	
	ENGINE POWER: 100,0 KW	
	SPEED: 2.200 RPM	
	ENGINE TORQUE: 500 NM	
	TIRE SIZE: 460/70R24 (OPTIONAL:500/70R24)	
	TIRE RADIUS: 0,624 M	
	END SPEED:	
	HYDRAULIC PUMP: A4 VG 90	
	MANUFACTURER: REXROTH	
	OIL FLOW: 90,0 CM3	
	HYDROMOTOR: 2 X BV-250 INTEGRATED	
	DIFFERENTIAL PRESSURE: 420 BAR	
	FRONT AXLE: NOT ZF	
	REAR AXLE: NOT ZF	
	GEARBOX DIAGRAMM: 4663.701.018	
	TRANSMISSION TYPE: 2 HC 85	
	TRANSMISSION INSTALLATION: REMOTE MOUNT	
	OUTPUT FLANGE: DIN 120	
	GEAR RATIO: MOTOR A: 1,78	
	AXLE RATIO: 15.429	
	OIL FILLING: WITH	
	GEARBOX OIL - GRADE: TE-ML 07	
	OIL FILL QUANTITY CA: 2,20 L	
	TYPE PLATE: ZF- STANDARD	
	PRIMER PAINT: BLACK RAL 9005	
	PAINT-FREE SURFACE: ZF-STANDARD	
	SEPARATE ORDER CUSTOMER: CONTROL UNIT 6073.006.011	
	DOCUMENTATION: -----	
	SECTION DRAWING: 4663 002 006	
	INSTALLATION DRAWING: 4663 602 001	

Assembly group overview

Page 1 from 1

Material number: 4663.002.011



2 HC 85 /

Picture	Pos.	Material number	Name	Quantity	Amend. no.	Techn. Info.
466310100300	10	4663.101.003	HOUSING	1		
466310200300	30	4663.102.003	INPUT	1		
466310300300	40	4663.103.003	OUTPUT	1		
414310342050	50	4143.103.420	OUTPUT	2		
466310600710	70	4663.106.007	SHIFT SYSTEM	1		
466312500310	80	4663.125.003	INDUCTIVE SENSOR	1		
466312200500	20	4663.122.005	HYDRAULIC MOTOR	1		
414313900100	900	4143.139.001	TYPE PLATE	1		
	KIT	4663.298.001	REPAIR KIT	0		
	KIT	4663.298.003	SEAL KIT	0		

Picture

Page 1 from 1

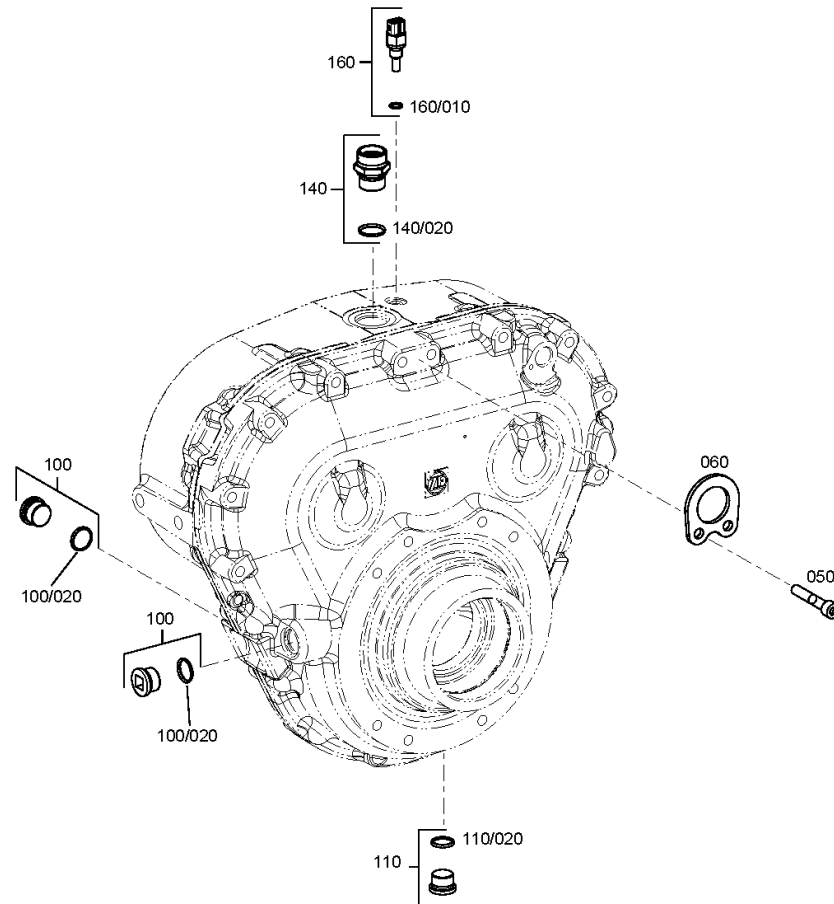
Material number: 4663.002.011

Picture: 466310100300

Material-assembly-group-no: 4663.101.003



2 HC 85 /
HOUSING



Picture

Page 1 from 1

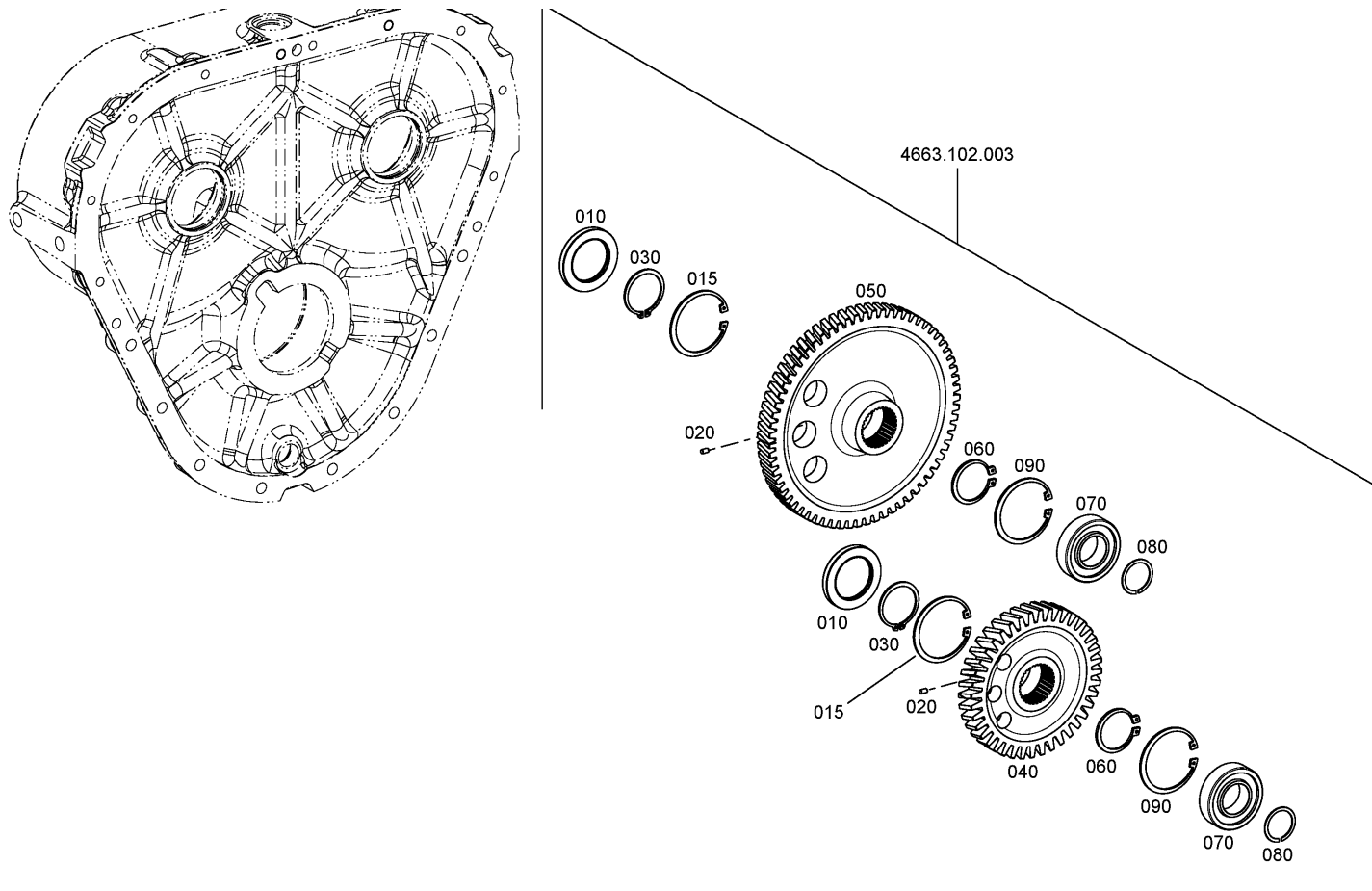
Material number: 4663.002.011

Picture: 466310200300

Material-assembly-group-no: 4663.102.003



2 HC 85 /
INPUT



Picture

Page 1 from 1

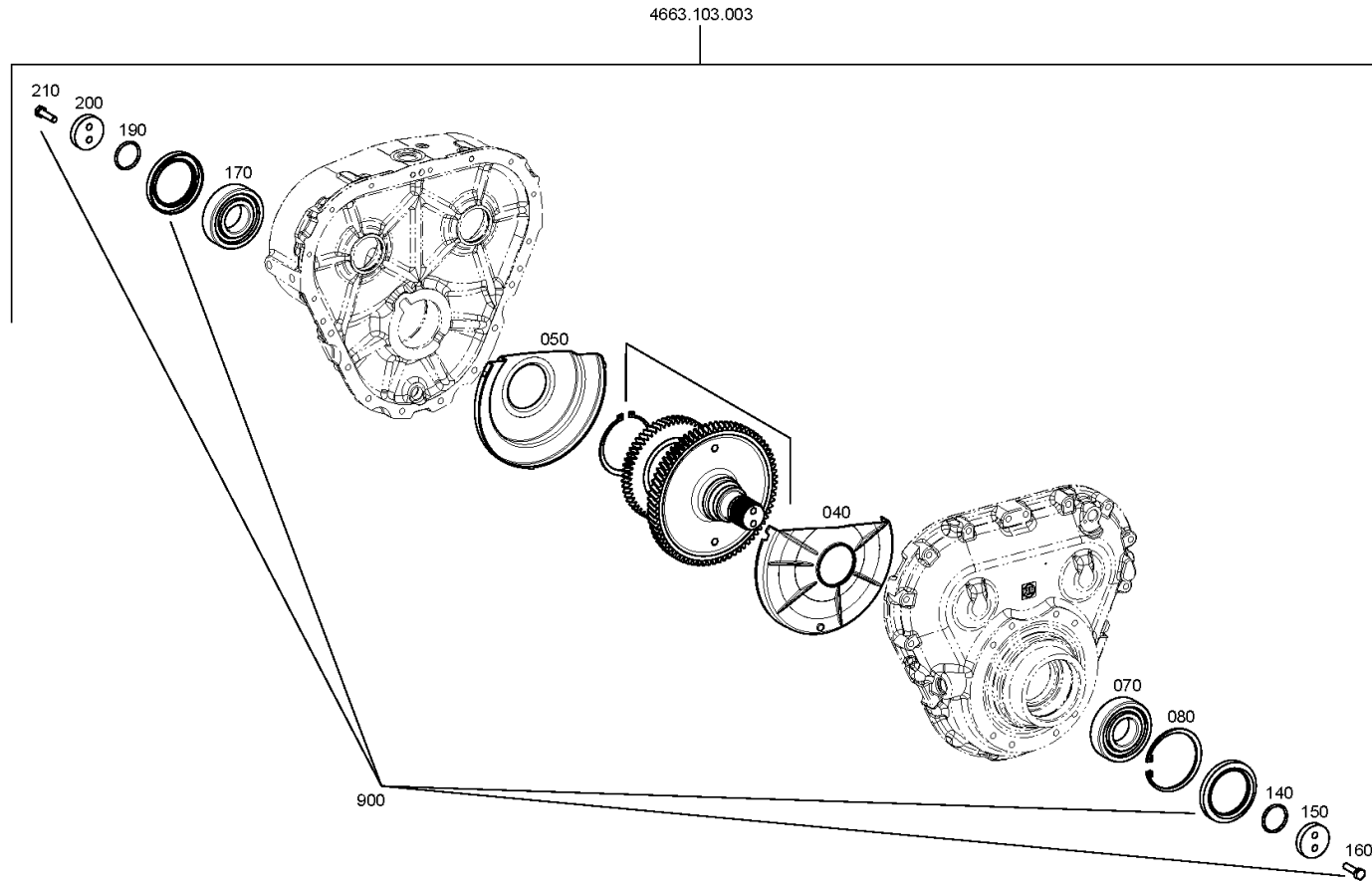
Material number: 4663.002.011

Picture: 466310300300

Material-assembly-group-no: 4663.103.003



2 HC 85 /
OUTPUT



Picture

Page 1 from 1

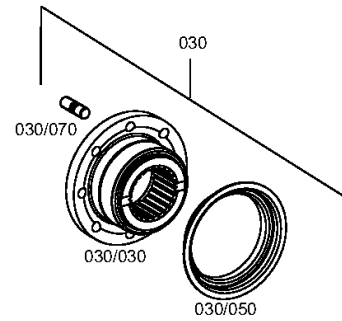
Material number: 4663.002.011

Picture: 414310342050

Material-assembly-group-no: 4143.103.420



2 HC 85 /
OUTPUT



Picture

Page 1 from 1

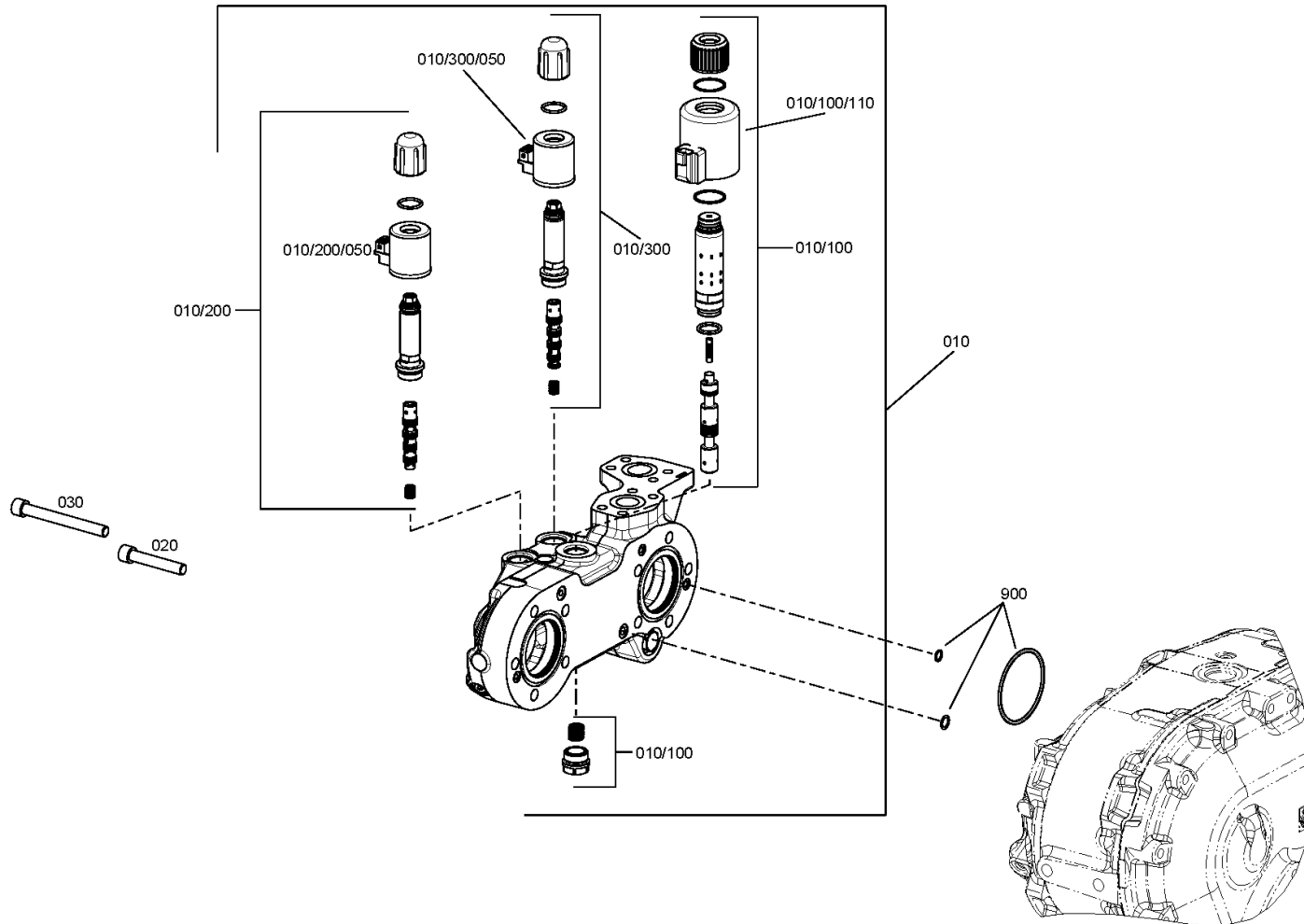
Material number: 4663.002.011

Picture: 466310600710

Material-assembly-group-no: 4663.106.007



2 HC 85 /
SHIFT SYSTEM



Picture

Page 1 from 1

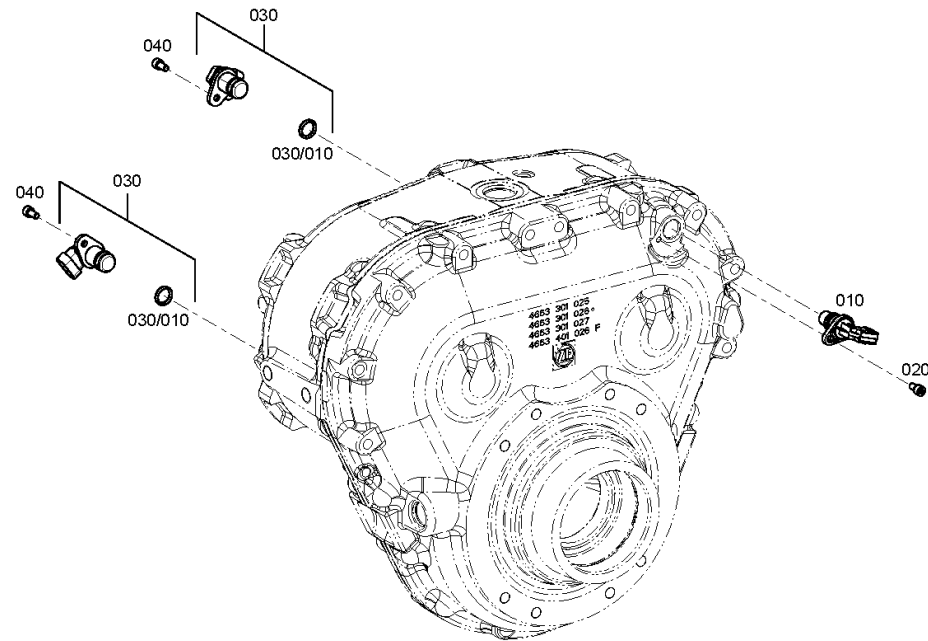
Material number: 4663.002.011

Picture: 466312500310

Material-assembly-group-no: 4663.125.003



2 HC 85 /
INDUCTIVE SENSOR



Picture

Page 1 from 1

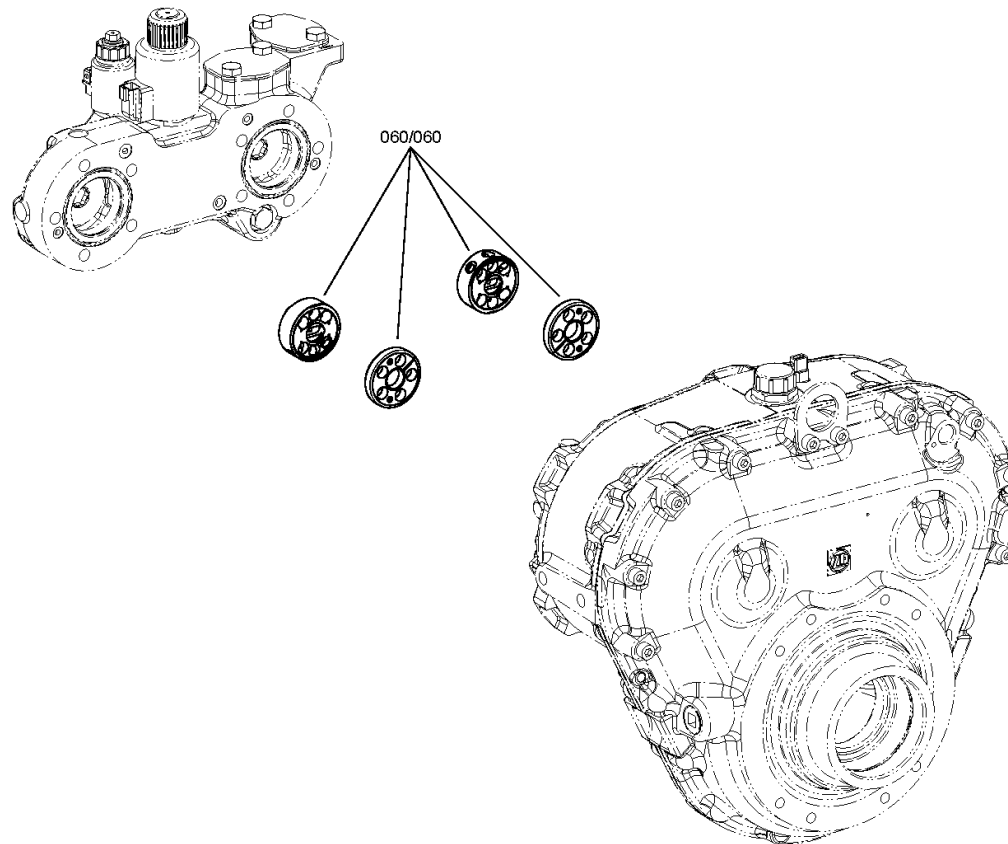
Material number: 4663.002.011

Picture: 466312200500

Material-assembly-group-no: 4663.122.005



2 HC 85 /
HYDRAULIC MOTOR



Picture

Page 1 from 1

Material number: 4663.002.011

Picture: 414313900100

Material-assembly-group-no: 4143.139.001



2 HC 85 /
TYPE PLATE



010