



Spare Parts Catalog

CP 230

Material number: 4664.082.002

Current date: 30.01.2023

ZF Friedrichshafen AG
Hauptverwaltung
80038 Friedrichshafen
Deutschland

Telefon: +49 7541 77-0

Telefax: +49 7541 77-908000

www.zf.com

zuständiges Werk:
Passau

Notes relating to the spare parts catalog

Setup of the spare parts catalog

- Cover sheet
- Technical Cover (only in SDM print)
- Overview of figures
- Figure
- Associated parts list
- Next figure
- Associated parts list
- ...

Figure and parts list



Overview of figures

Bildtafel Figure	Sachnummer Product number	Benennung (Description)	Technische Info Technical info	Description (Benennung)	Menge Quantity	Einheit Unit
068.08.17	1316.170.001	AUSLEGER	WL	SHIFT TURRET	1	Stk
068.08.06	1316.170.031	DECKEL	WL*H-H *VM	COVER	1	Stk
068.08.14	1316.170.808	DECKEL	WL*AUSL+GEH*H-H*HF160N	COVER	1	Stk
08	1316.170.441	ANSCHLUSSTEILE	WL*NG-VORB*RG-SCHL*168N *BAJONETT	CONNECTING PARTS	1	Stk

The "gap" indicates that there is no separate graphics panel (poster) for this assembly
The parts of this assembly are shown with the same mid-section number on the figure

1 Positions and subpositions

Pos.	Sachnummer Product number	Benennung (Description)	Technische Info Technical info	Description (Benennung)	Menge Quantity	Einheit Unit
0370	1315.201.054	RUECKLAUFBOLZEN	KPL.16S151*SG*L= 79	REV.IDLER SHAFT	1	Stk
/0120	0631.329.293	SPANNSTIFT		SLOT. PIN	1	Stk

Positions marked with "/" are the individual items of a completion
For example: Position 0370 contains a centering pin with the position /0120

2 Combinations with standardized parts

Pos.	Sachnummer Product number	Benennung (Description)	Technische Info Technical info	Description (Benennung)	Menge Quantity	Einheit Unit
0630		VERSCHL.SCHR.		SCREW PLUG	1	Stk
	0636.302.067	VERSCHL.SCHR.		SCREW PLUG	1	Stk
	0634.801.249	DICHTRING	A 26 X 31	SEALING RING	1	Stk

The parts list shows the components included in the combination of standardized parts

3 Depiction of position/item number on the figure and in the parts list

01.620 - on the figure 01 relates to the assembly in which the position is included. Due to program-related reasons, it is shown on the figure.

0620 - in the parts list

Pos.	Sachnummer Product number	Benennung (Description)	Technische Info Technical info	Description (Benennung)	Menge Quantity	Einheit Unit
0620	0732.040.736	DRUCKFEDER		COMPRESSION SPRING	1	Stk

4 *-Positions

Positions marked with an * are optional i.e. inclusion in the parts list is not mandatory.
The following note is shown on the figure

je nach Stücklistenausführung
depending on spec. number
*
suivant la nomenclature
secondo la distinta base

5 Parts, dotted display

Parts with dotted display on the figure are only used for orientation of other parts

Technical Cover

Page 1 from 2

Material number: 4664.082.002



Pos.	Information	Amendment number
	CUSTOMER: JOHN DEERE	
	VEHICLE DESIGNATION: SKIDDER 848J	
	PRODUCT DESCRIPTION: ZF CPOWER	
	VS PRODUKT FREIGABE CP	
	TRANSMISSION TYPE: CP 230	
	DROP CENTER DISTANCE: 540 MM	
	VEHICLE: SKIDDER	
	RANGE 1: 0 - 0,487 (N_OUT / N_IN)	
	RANGE 2: 0,444 - 1,891(N_OUT / N_IN)	
	DISPLACEMENT: PUMP 160 CCM / MOTOR 160 CCM	
	INPUT FLANGE: MECH 6 C	
	OUTPUT HYDROSTAT SIDE: WITHOUT AXLE DISCONNECT	
	OUTPUT FORDING ABILITY: YES	
	OUTPUT FLANGE HS SIDE: MECH 7 C	
	OUTPUT PTO SIDE: WITHOUT PARKING BRAKE	
	OUTPUT FLANGE PTO SIDE: MECH 8,5 C	
	POWER TAKE OFF 1: WITH	
	FLANGE: SAE C 2 HOLE	
	DRIVER / PROFILE: SAE C 12/24 DP 14 T	
	RATIO PTO 1: 0,782	
	POWER TAKE OFF 2: WITH	
	FLANGE: SAE C 2 HOLE	
	DRIVER / PROFILE: SAE C 12/24 DP 14 T	
	RATIO PTO 2: 0,709	
	OIL LEVEL GAUGE: WITHOUT	
	OIL LEVEL TUBE: WITHOUT	
	OIL DIPSTICK: WITHOUT	
	FILTER INSTALLATION: DIRECT MOUNTED	
	CONTROL UNIT: ERGOCONTROL II	
	VOLTAGE: 24 VOLT	
	EXT. PILOT PRESSURE: WITHOUT	
	EXT. PILOT PRESSURE2: WITHOUT	
	OIL TEMPERATURE SENSOR: INCLUDED, VIA CAN	

Technical Cover

Page 2 from 2

Material number: 4664.082.002



CP 230 /

Pos.	Information	Amendment number
	PRES. DROP SWITCH: INCLUDED, VIA CAN	
	SOFTWARE FUNCTIONS: BASIC PACKAGE	
	SOFTWARE OPTIONS: NONE	
	ELECTRIC PARTS ORDER: SEPARATE ORDER	
	GEAR SELECTOR: ERGOSHIFT	
	OIL CAPACITY TRANSM.: 33	
	OIL FILLING TRANSM.: WITHOUT	
	OIL GRADE TRANSM.: OIL RELEASE BY ZF	
	PRIMER PAINT: GREEN RAL 6010	
	DOCUMENTATION GEAR BOX: -----	
	INSTALLATION DRAWING: 4664.682.002	
	GEARBOX DIAGRAM: 4664.700.003	
	OIL CIRCUIT DIAGRAM: 4664.700.002	
	DOCU. CONTROL UNIT: -----	

Assembly group overview

Page 1 from 2

Material number: 4664.082.002



CP 230 /

Picture	Pos.	Material number	Name	Quantity	Amend. no.	Techn. Info.
466413000400	120	4664.130.004	ENGINE CONNECTION	1		
466411801600	80	4664.118.016	HYDROSTATIC UNIT	1		
466411840200	85	4664.118.402	HYDROSTATIC UNIT	1		
466410101301	10	4664.101.013	TRANSMISSION HOUSING	1		
466410140000	15	4664.101.400	TRANSMISSION HOUSING	1		
414313900100	12	4143.139.001	TYPE PLATE	1		
466417100500	170	4664.171.005	COUPLING	1		
466417200500	180	4664.172.005	COUPLING	1		
466417500500	200	4664.175.005	COUPLING	1		
466417600600	210	4664.176.006	COUPLING	1		
466417700100	220	4664.177.001	MOTOR SHAFT	1		
466412300700	100	4664.123.007	PLANETARY DRIVE	1		
466410300600	20	4664.103.006	OUTPUT	1		
466410340600	30	4664.103.406	OUTPUT	1		
466410340750	50	4664.103.407	OUTPUT	1		
466415400800	150	4664.154.008	POWER TAKE-OFF	1		

Assembly group overview

Page 2 from 2

Material number: 4664.082.002



CP 230 /

Picture	Pos.	Material number	Name	Quantity	Amend. no.	Techn. Info.
466415500900	160	4664.155.009	POWER TAKE-OFF	1		
466410601000	60	4664.106.010	SHIFT SYSTEM	1		
466410640500	65	4664.106.405	SHIFT SYSTEM	1		
466415900300	70	4664.159.003	SHIFT SYSTEM	1		
466412200300	90	4664.122.003	PRESSURE OIL PUMP	1		
466412500100	110	4664.125.001	INDUCTIVE SENSOR	1		
466413800800	145	4664.138.008	FILTER	1		
466413800900	140	4664.138.009	FILTER	1		
466413100200	130	4664.131.002	FILLER NOZZLE	1		
	1	6057.012.056	TCU CP EC2B	0		
605701204500	270	6057.012.045	TCU CP EC2B	1		
466429800400	KIT	4664.298.004	REPAIR KIT	1		
466429800600	KIT	4664.298.006	REPAIR KIT	1		
466429800800	KIT	4664.298.008	REPAIR KIT	1		
466429801200	KIT	4664.298.012	REPAIR KIT	1		
466429801300	KIT	4664.298.013	WIRING HARNESS	1		
466429801800	KIT	4664.298.018	REPAIR KIT	1		

Picture

Page 1 from 1

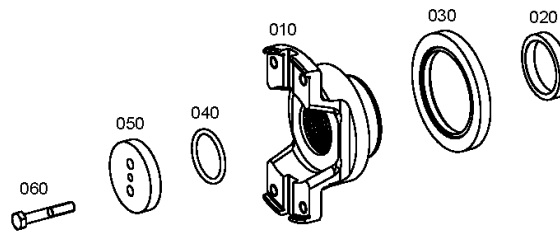
Material number: 4664.082.002

Picture: 466413000400

Material-assembly-group-no: 4664.130.004



CP 230 /
ENGINE CONNECTION



Picture

Page 1 from 2

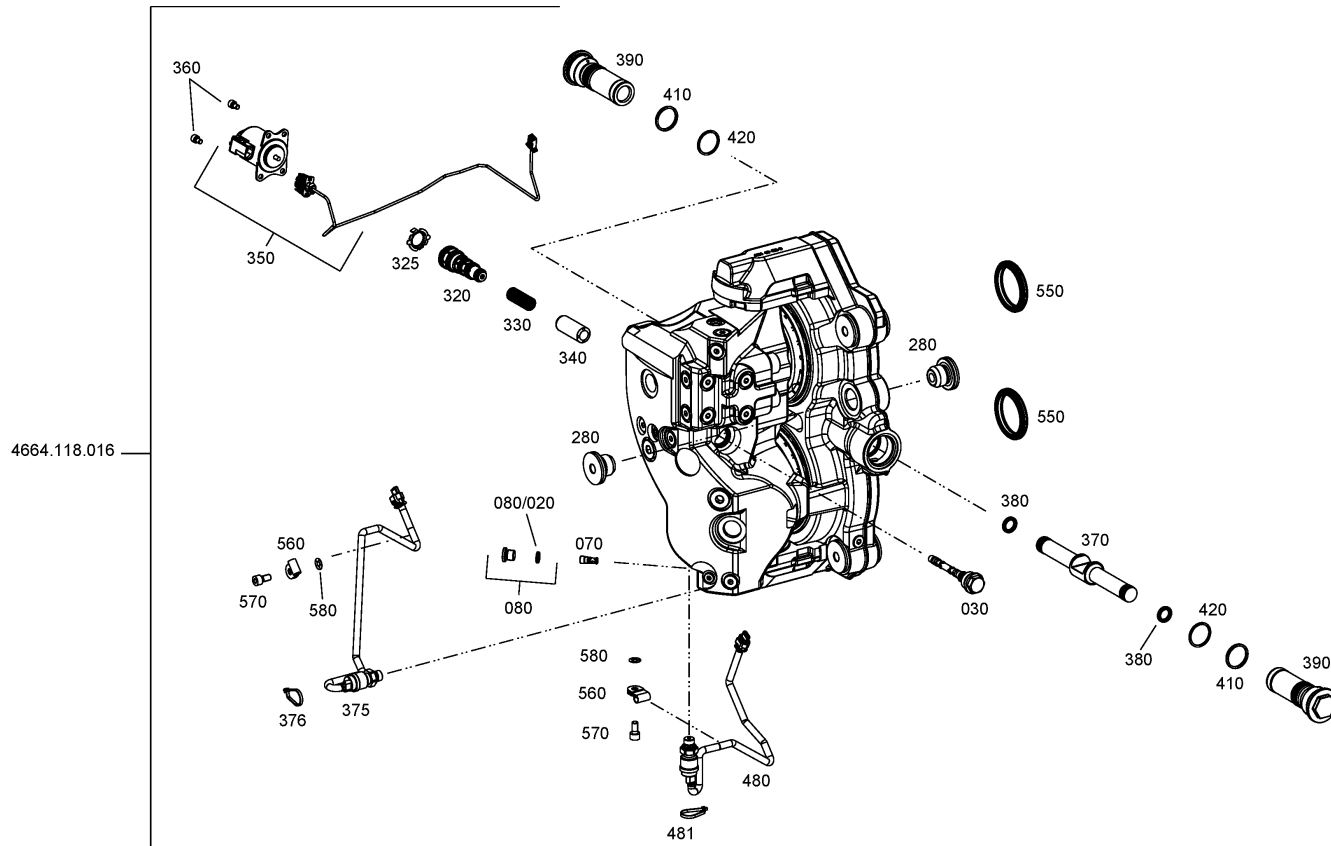
Material number: 4664.082.002

Picture: 466411801600

Material-assembly-group-no: 4664.118.016



CP 230 /
HYDROSTATIC UNIT



Picture

Page 2 from 2

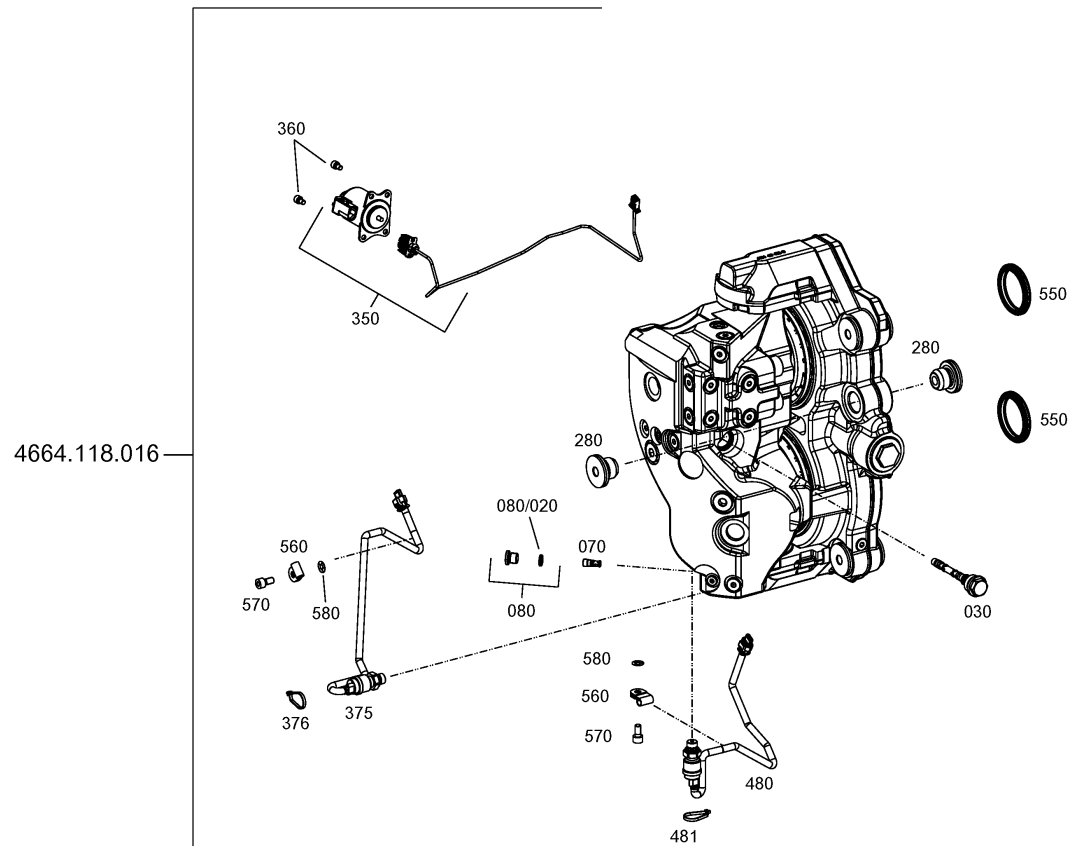
Material number: 4664.082.002

Picture: 466411801680

Material-assembly-group-no: 4664.118.016



CP 230 /
HYDROSTATIC UNIT



Picture

Page 1 from 1

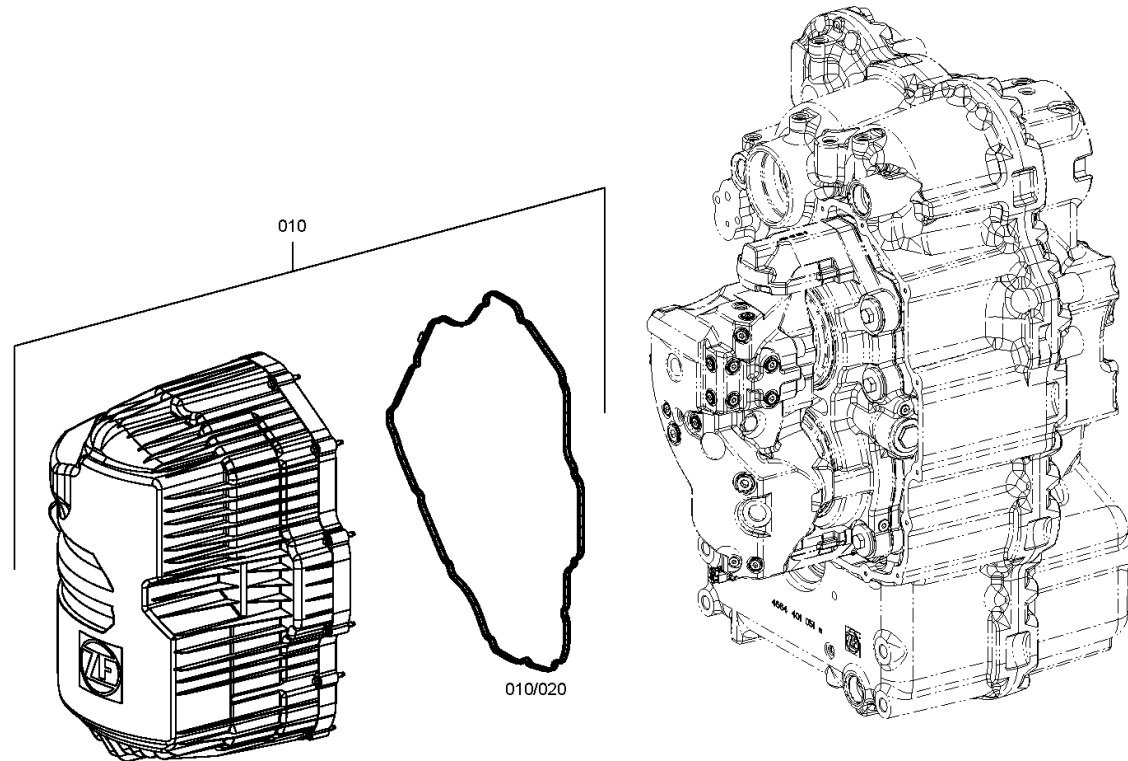
Material number: 4664.082.002

Picture: 466411840200

Material-assembly-group-no: 4664.118.402



CP 230 /
HYDROSTATIC UNIT



Picture

Page 1 from 4

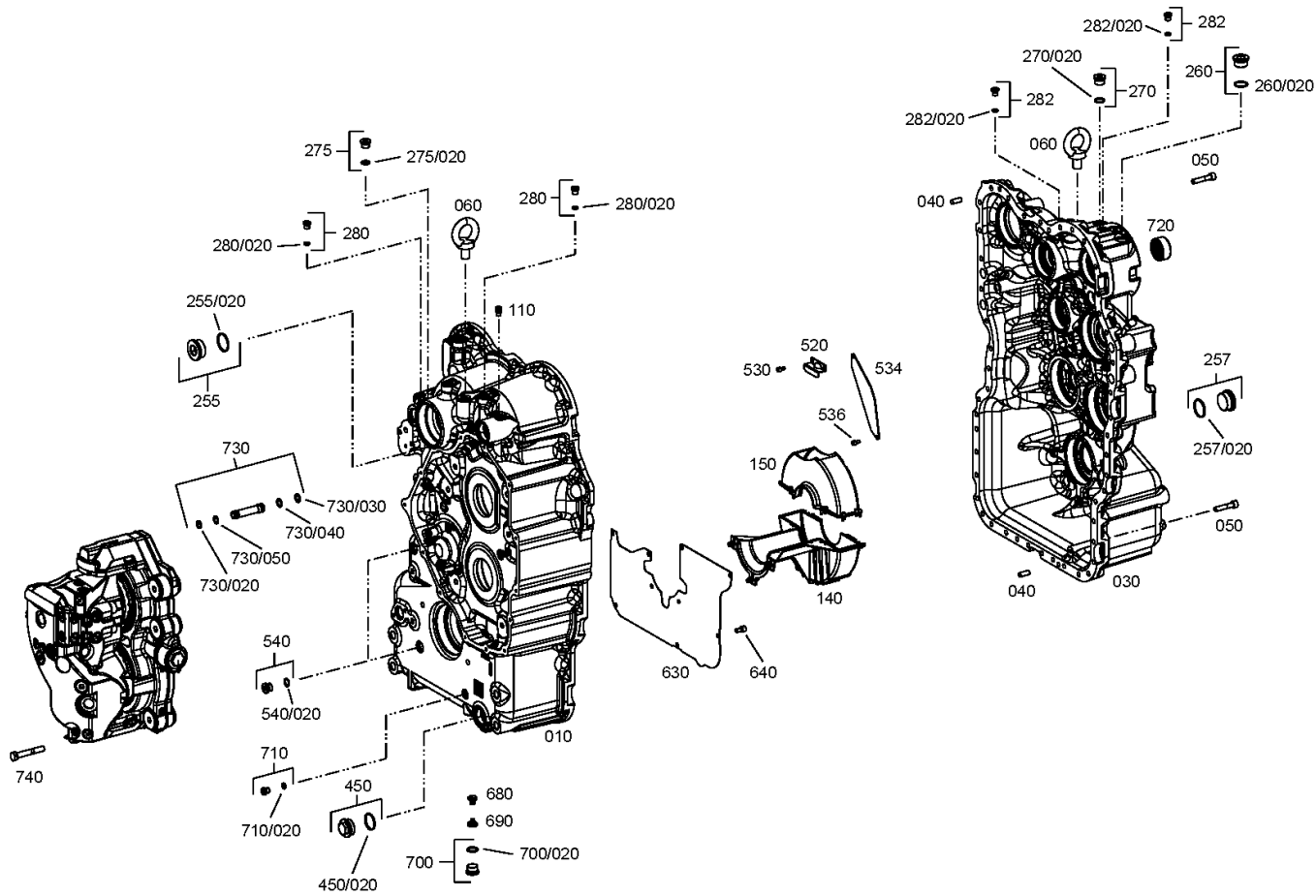
Material number: 4664.082.002

Picture: 466410101301

Material-assembly-group-no: 4664.101.013



CP 230 /
TRANSMISSION HOUSING



Picture

Page 2 from 4

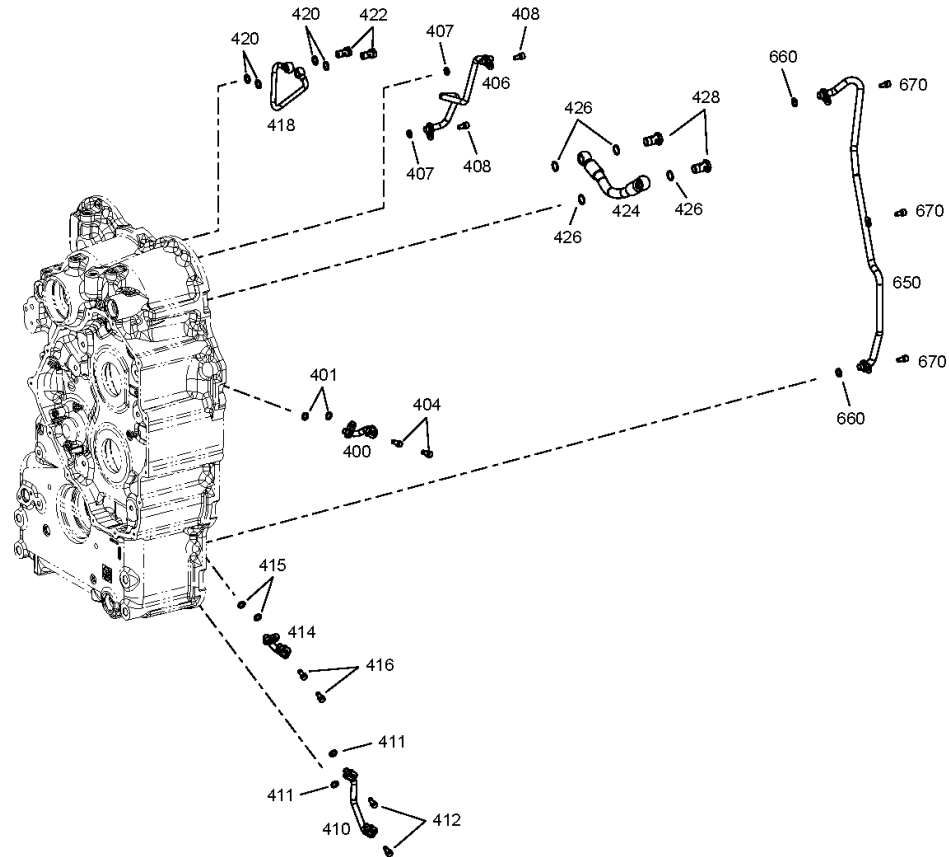
Material number: 4664.082.002

Picture: 466410101302

Material-assembly-group-no: 4664.101.013



CP 230 /
TRANSMISSION HOUSING



Picture

Page 3 from 4

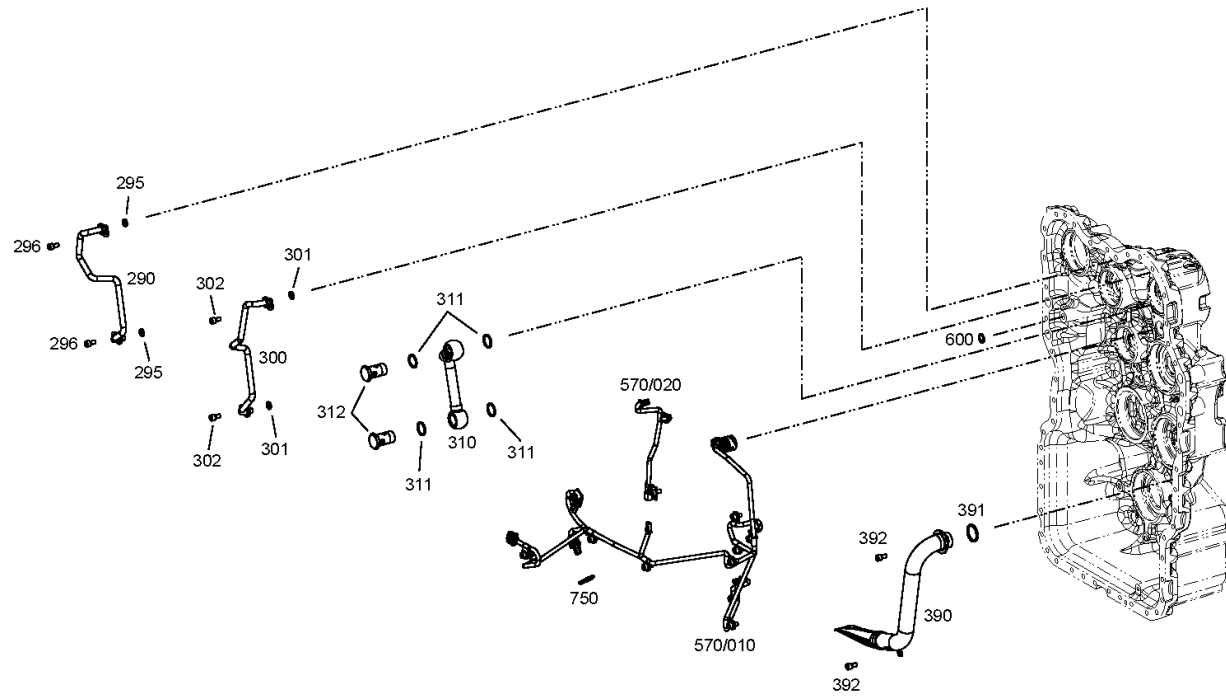
Material number: 4664.082.002

Picture: 466410101303

Material-assembly-group-no: 4664.101.013



CP 230 /
TRANSMISSION HOUSING



Picture

Page 4 from 4

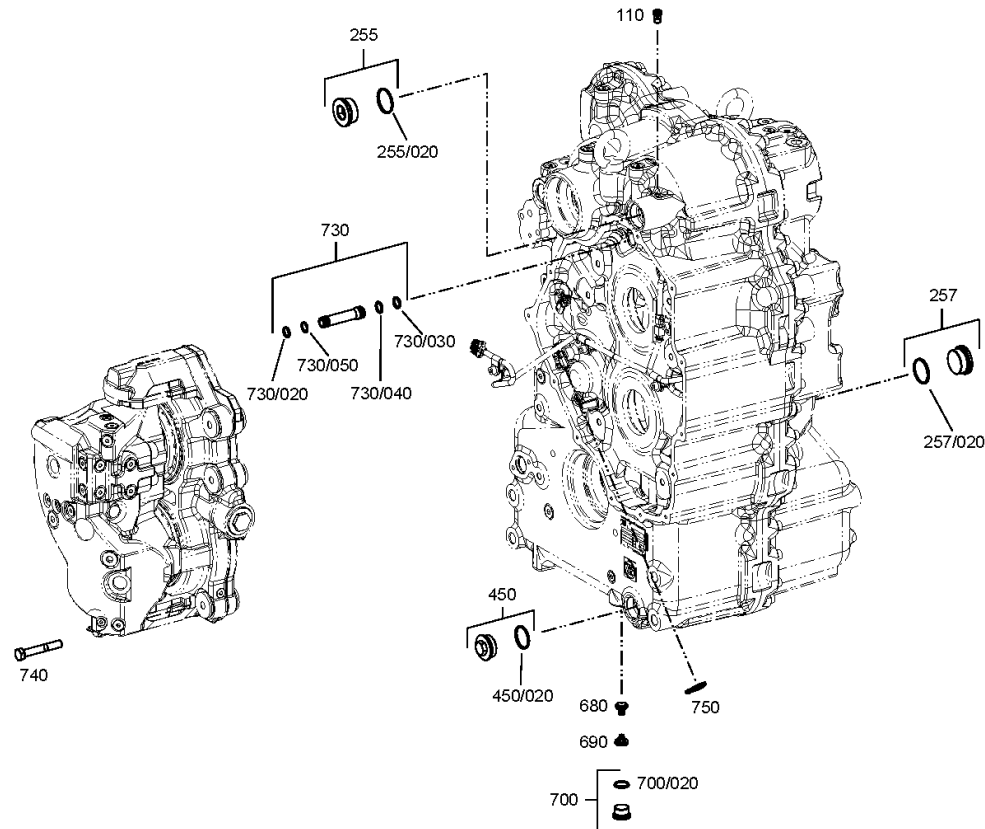
Material number: 4664.082.002

Picture: 466410101380

Material-assembly-group-no: 4664.101.013



CP 230 /
TRANSMISSION HOUSING



Picture

Page 1 from 1

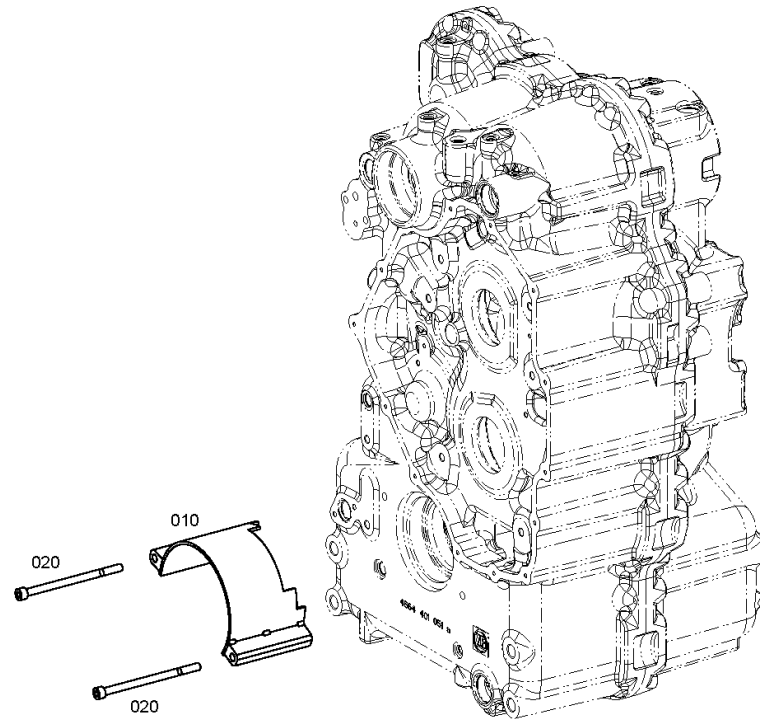
Material number: 4664.082.002

Picture: 466410140000

Material-assembly-group-no: 4664.101.400



CP 230 /
TRANSMISSION HOUSING



Picture

Page 1 from 1

Material number: 4664.082.002

Picture: 414313900100

Material-assembly-group-no: 4143.139.001



CP 230 /
TYPE PLATE



010

Picture

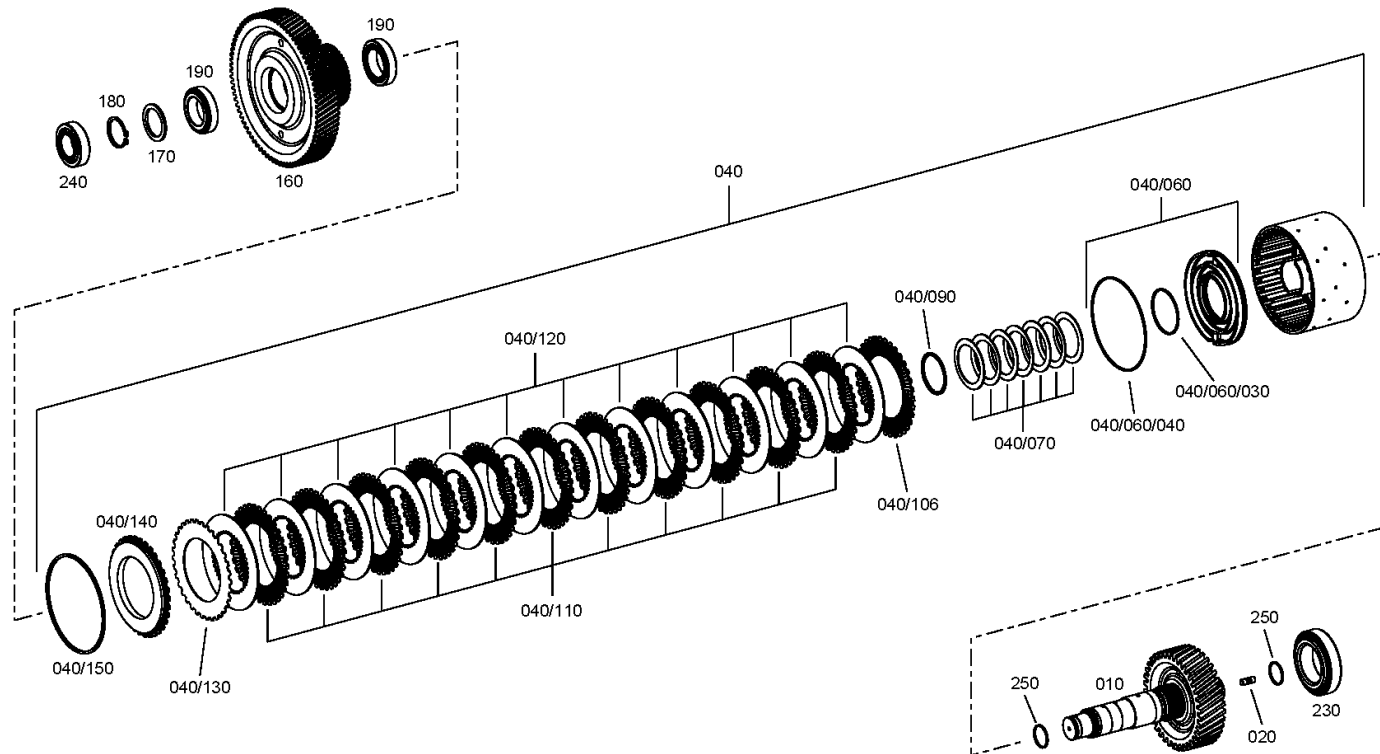
Page 1 from 2

Material number: 4664.082.002

Picture: 466417100500

Material-assembly-group-no: 4664.171.005

K1



Picture

Page 2 from 2

Material number: 4664.082.002

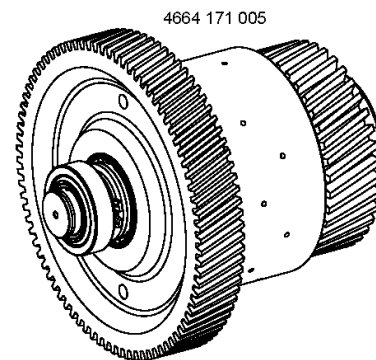
Picture: 466417100584

Material-assembly-group-no: 4664.171.005



CP 230 /
COUPLING

K1



Picture

Page 1 from 2

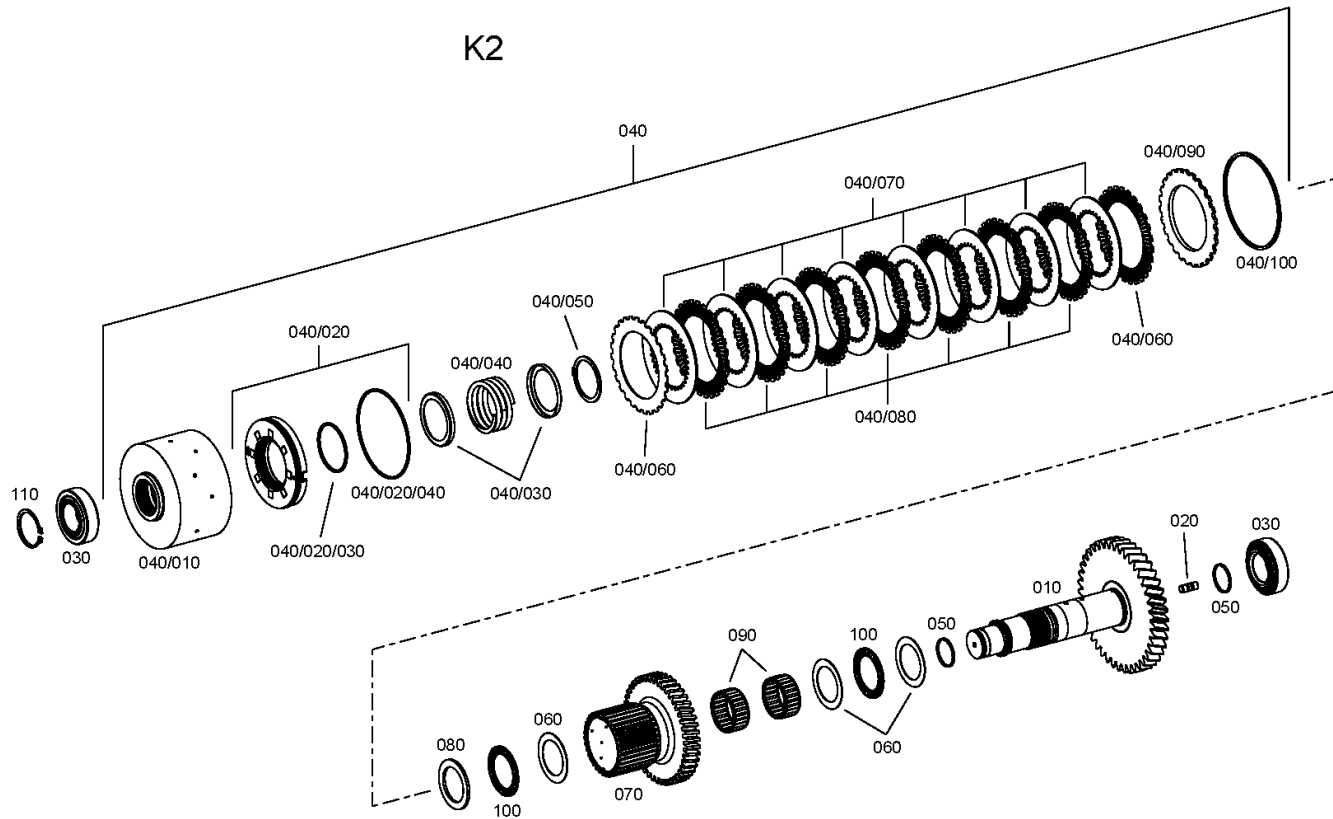
Material number: 4664.082.002

Picture: 466417200500

Material-assembly-group-no: 4664.172.005



CP 230 /
COUPLING



Picture

Page 2 from 2

Material number: 4664.082.002

Picture: 466417200584

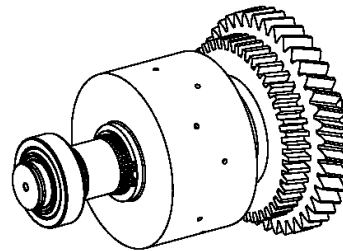
Material-assembly-group-no: 4664.172.005



CP 230 /
COUPLING

K2

4664 172 005



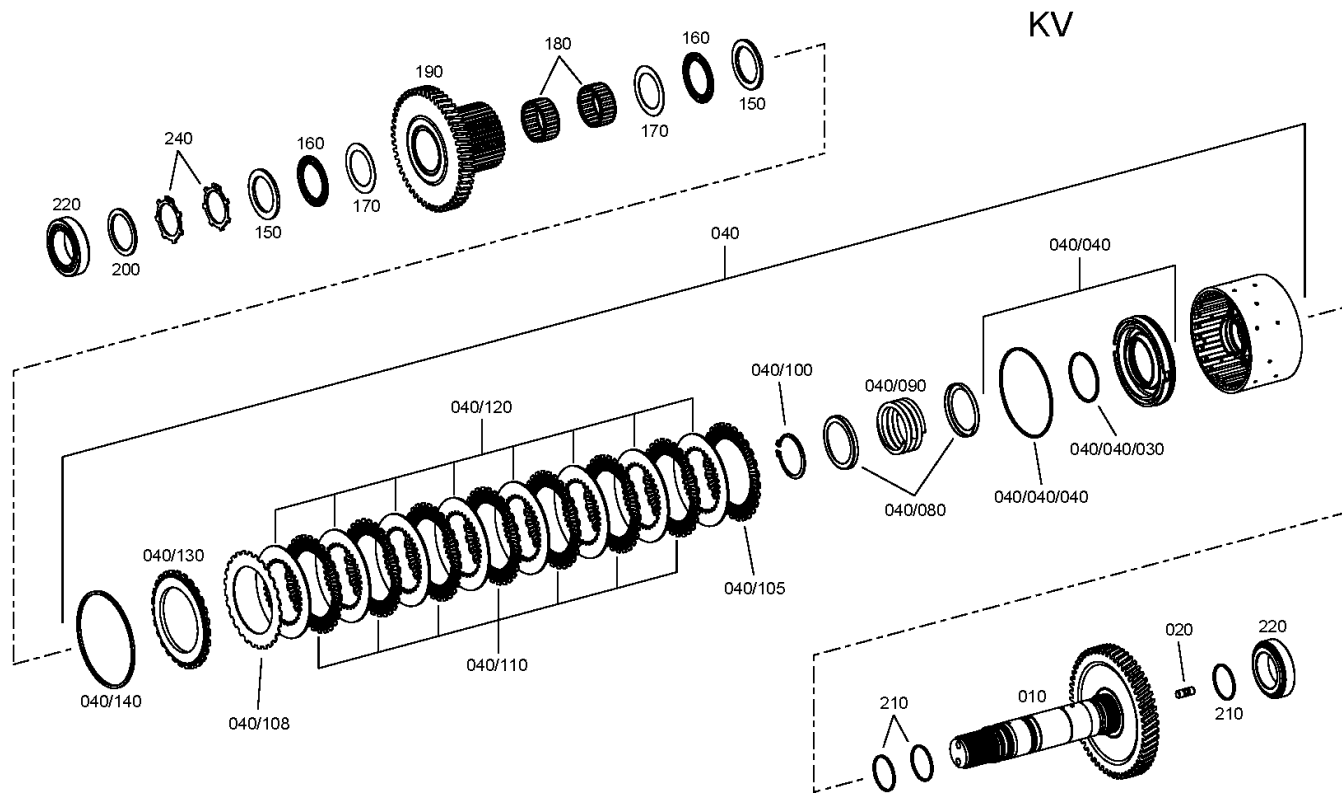
Picture

Page 1 from 2

Material number: 4664.082.002

Picture: 466417500500

Material-assembly-group-no: 4664.175.005



Picture

Page 2 from 2

Material number: 4664.082.002

Picture: 466417500584

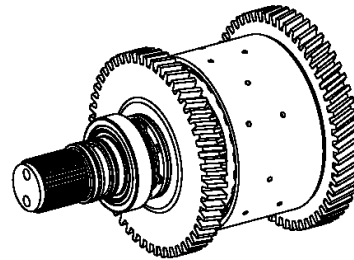
Material-assembly-group-no: 4664.175.005



CP 230 /
COUPLING

KV

4664 175 005



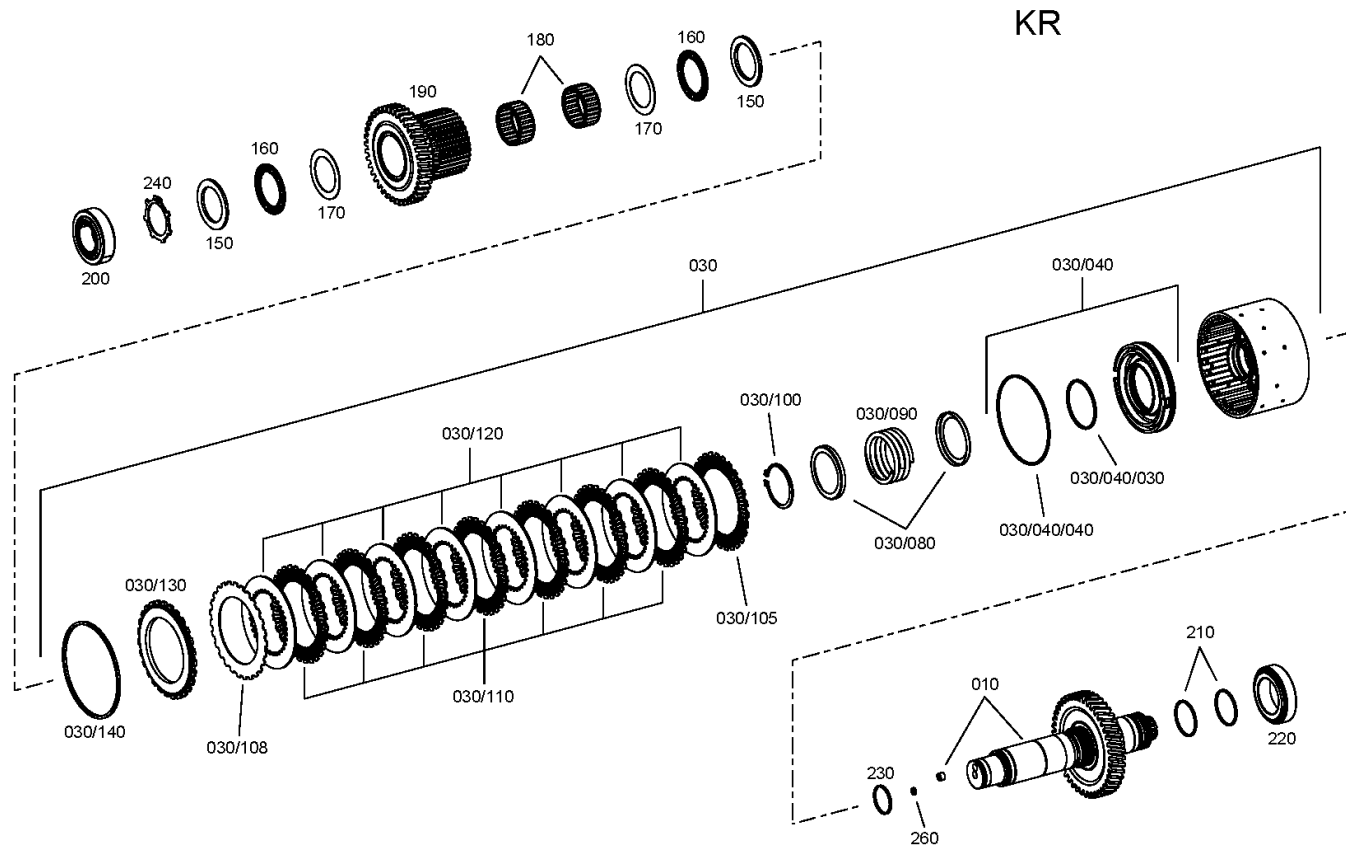
Picture

Page 1 from 2

Material number: 4664.082.002

Picture: 466417600600

Material-assembly-group-no: 4664.176.006



Picture

Page 2 from 2

Material number: 4664.082.002

Picture: 466417600684

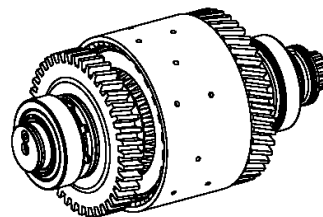
Material-assembly-group-no: 4664.176.006



CP 230 /
COUPLING

KR

4664 176 006



Picture

Page 1 from 2

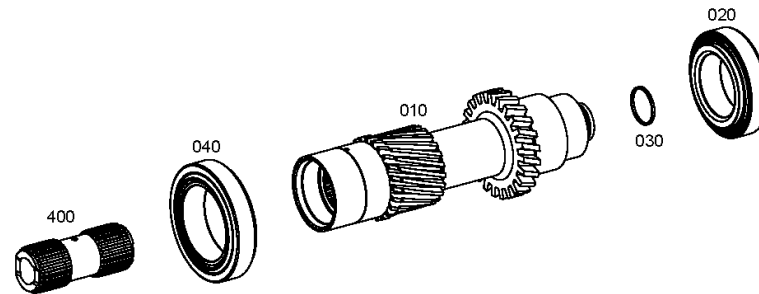
Material number: 4664.082.002

Picture: 466417700100

Material-assembly-group-no: 4664.177.001



CP 230 /
MOTOR SHAFT



Picture

Page 2 from 2

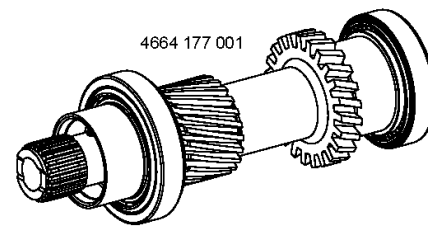
Material number: 4664.082.002

Picture: 466417700184

Material-assembly-group-no: 4664.177.001



CP 230 /
MOTOR SHAFT



Picture

Page 1 from 2

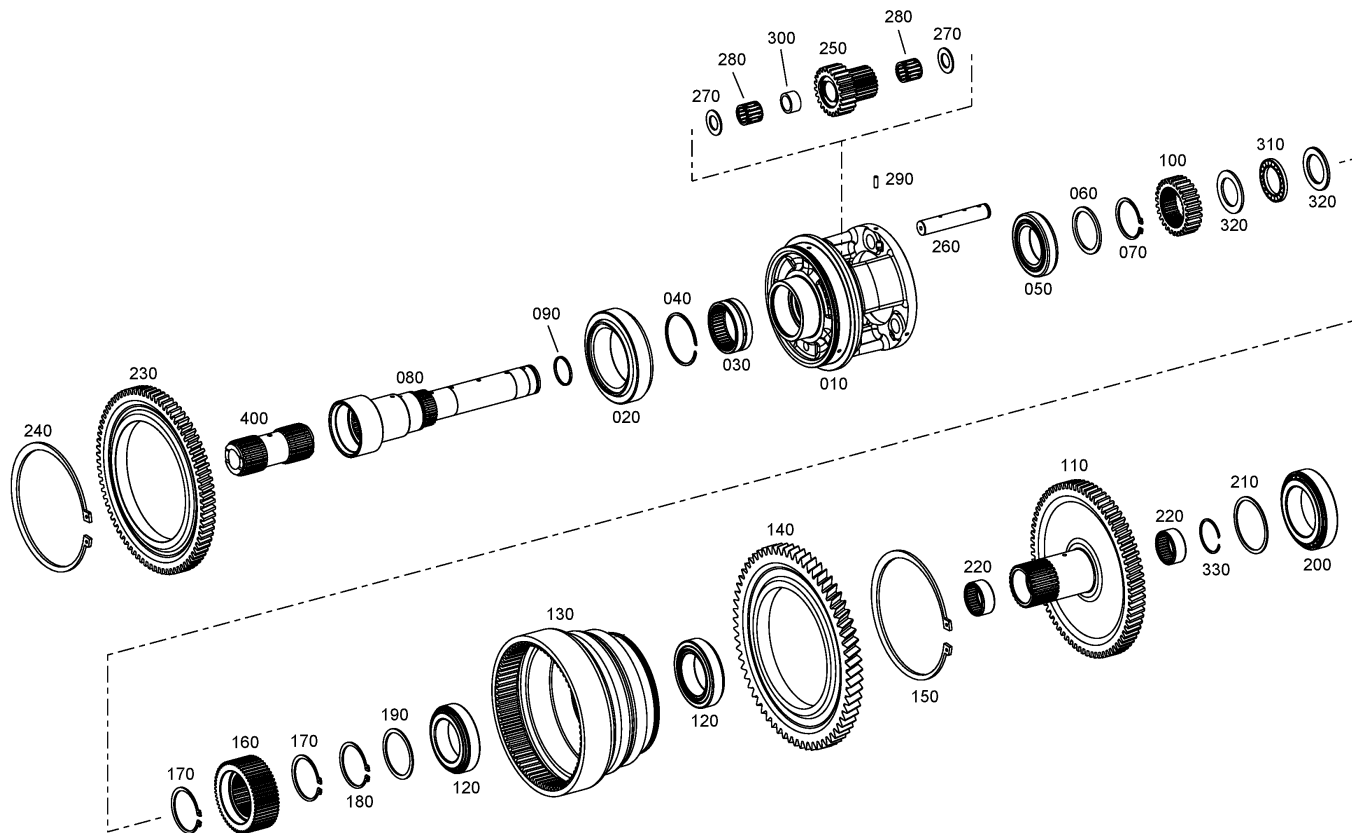
Material number: 4664.082.002

Picture: 466412300700

Material-assembly-group-no: 4664.123.007



CP 230 /
PLANETARY DRIVE



Picture

Page 2 from 2

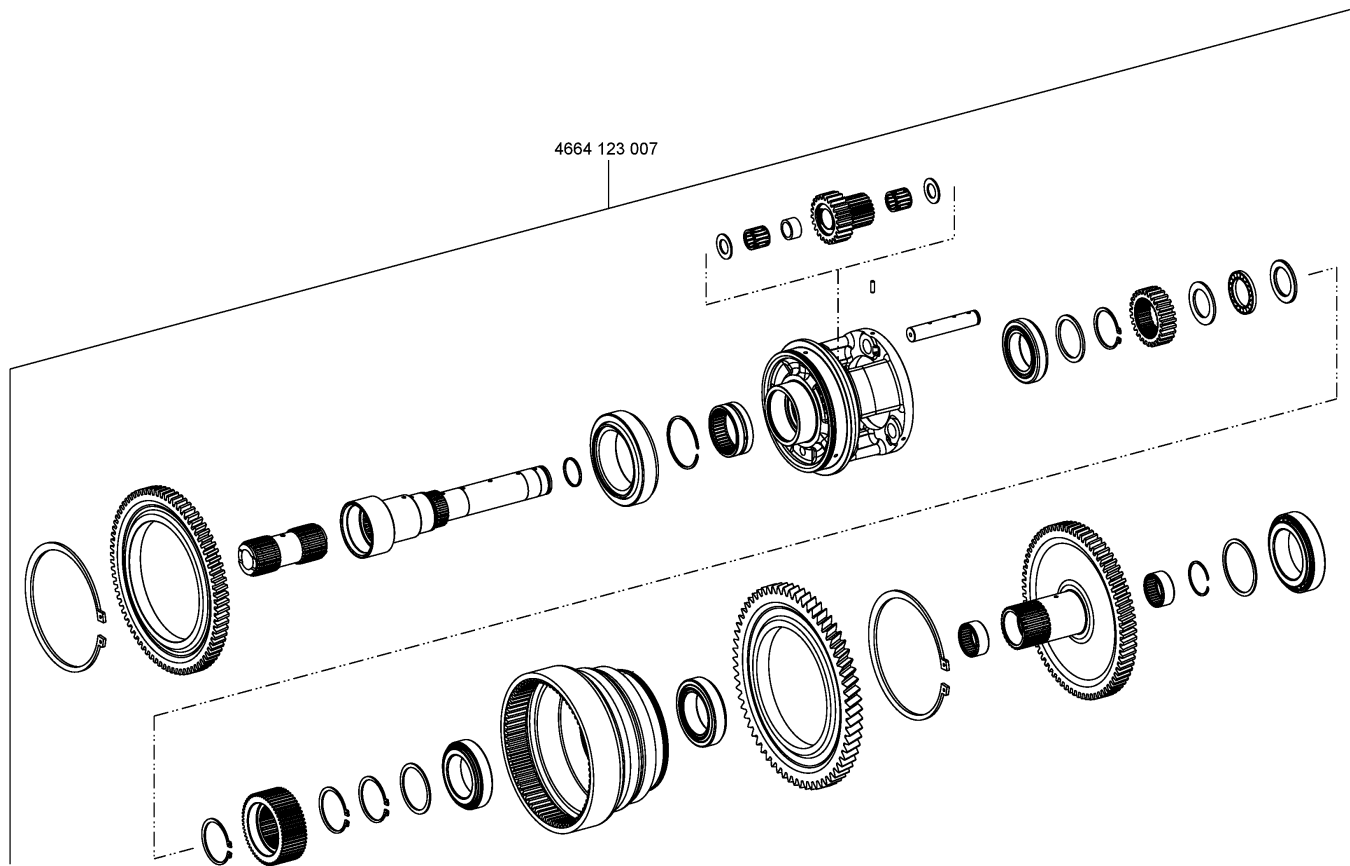
Material number: 4664.082.002

Picture: 466412300784

Material-assembly-group-no: 4664.123.007



CP 230 /
PLANETARY DRIVE



Picture

Page 1 from 2

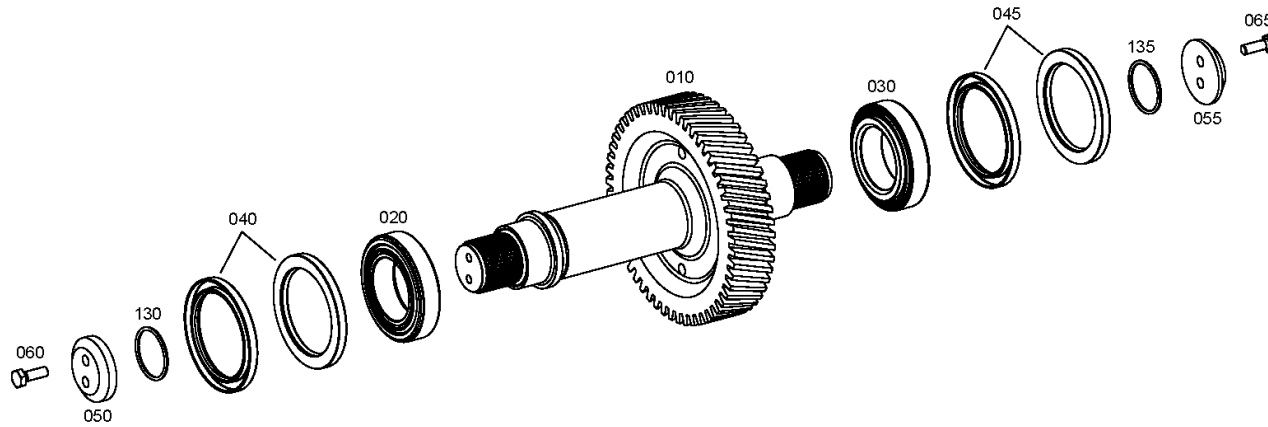
Material number: 4664.082.002

Picture: 466410300600

Material-assembly-group-no: 4664.103.006



CP 230 /
OUTPUT



Picture

Page 2 from 2

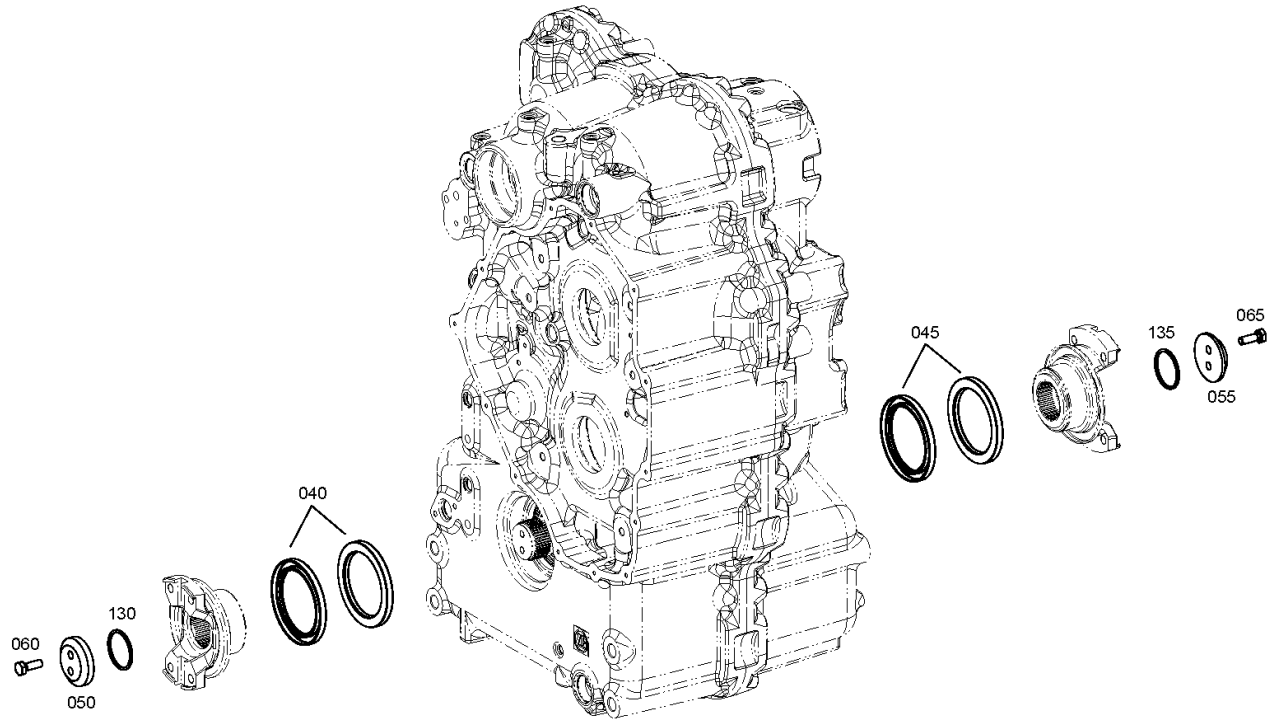
Material number: 4664.082.002

Picture: 466410300680

Material-assembly-group-no: 4664.103.006



CP 230 /
OUTPUT



Picture

Page 1 from 1

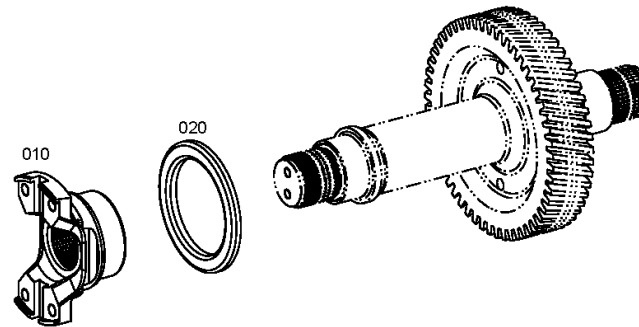
Material number: 4664.082.002

Picture: 466410340600

Material-assembly-group-no: 4664.103.406



CP 230 /
OUTPUT



Picture

Page 1 from 1

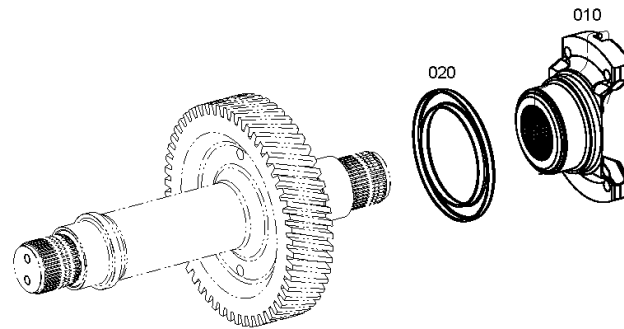
Material number: 4664.082.002

Picture: 466410340750

Material-assembly-group-no: 4664.103.407



CP 230 /
OUTPUT



Picture

Page 1 from 1

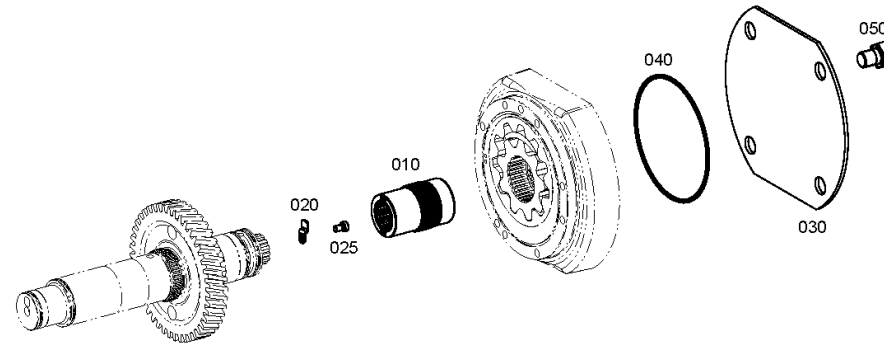
Material number: 4664.082.002

Picture: 466415400800

Material-assembly-group-no: 4664.154.008



CP 230 /
POWER TAKE-OFF



Picture

Page 1 from 3

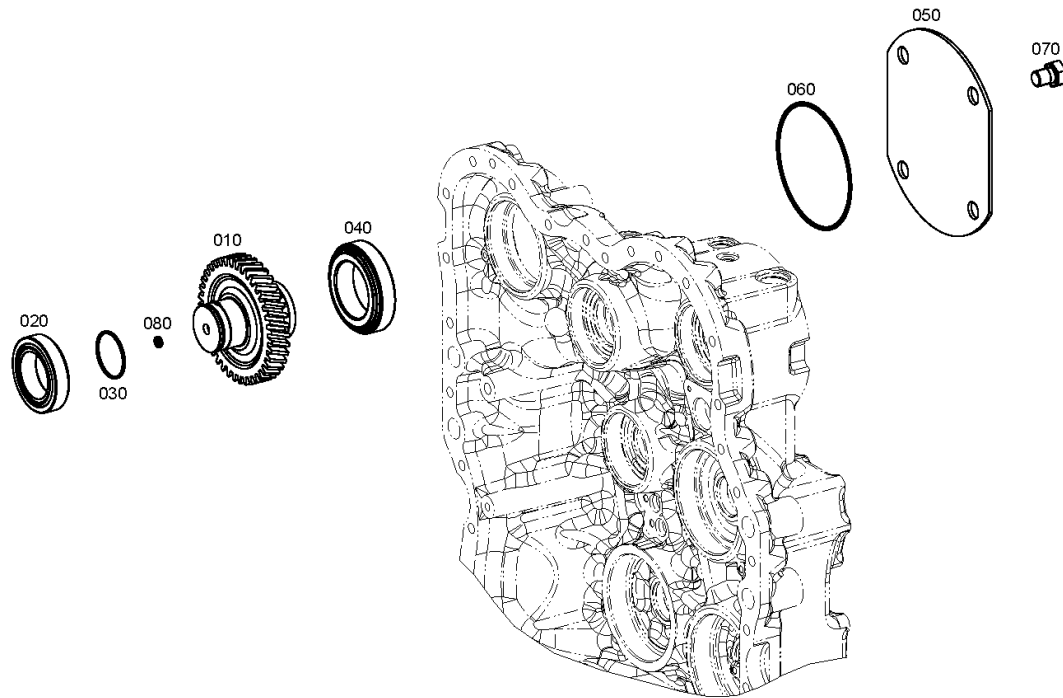
Material number: 4664.082.002

Picture: 466415500900

Material-assembly-group-no: 4664.155.009



CP 230 /
POWER TAKE-OFF



Picture

Page 2 from 3

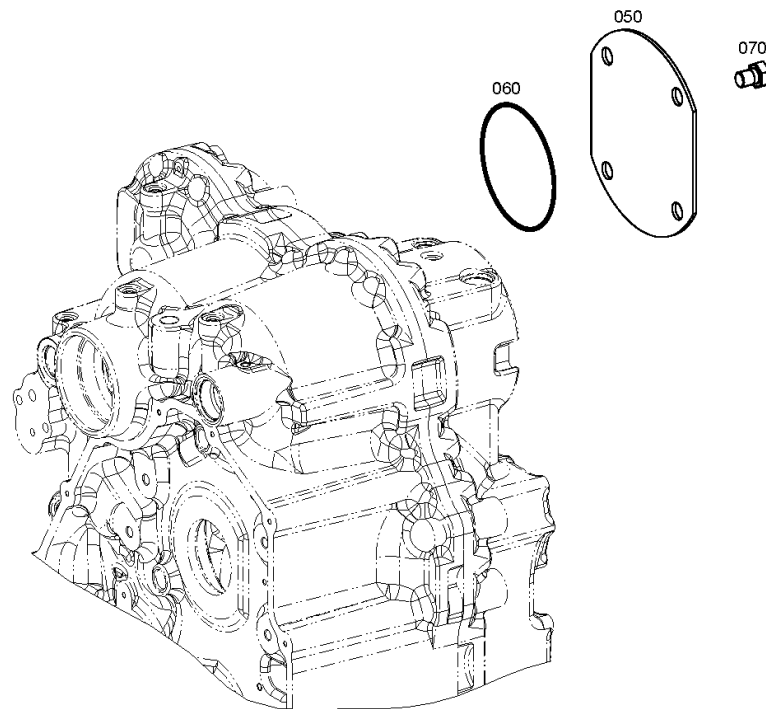
Material number: 4664.082.002

Picture: 466415500980

Material-assembly-group-no: 4664.155.009



CP 230 /
POWER TAKE-OFF



Picture

Page 3 from 3

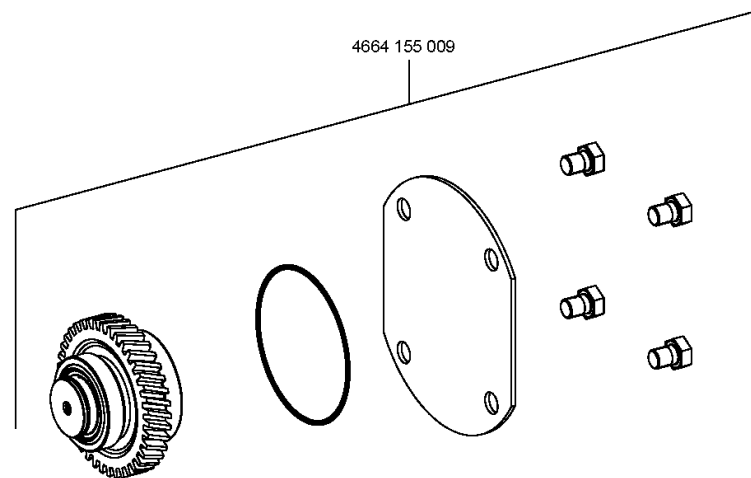
Material number: 4664.082.002

Picture: 466415500984

Material-assembly-group-no: 4664.155.009



CP 230 /
POWER TAKE-OFF



Picture

Page 1 from 2

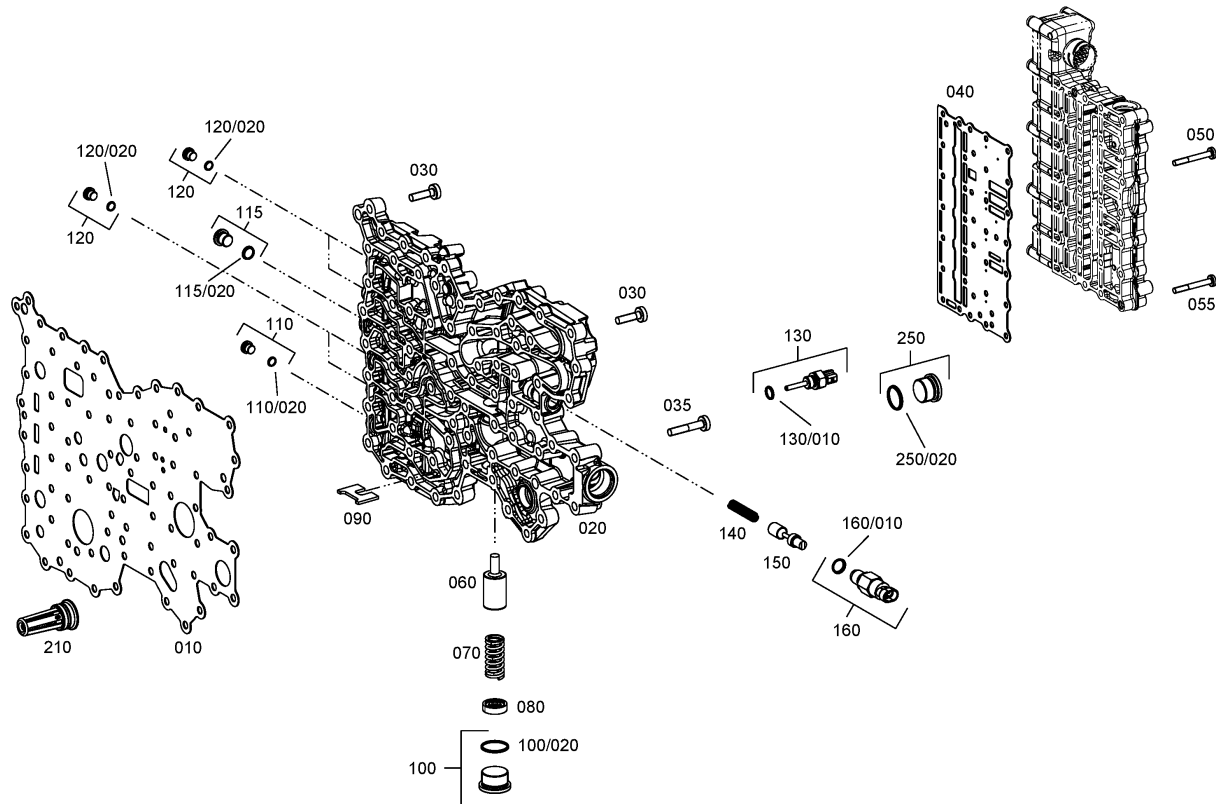
Material number: 4664.082.002

Picture: 466410601000

Material-assembly-group-no: 4664.106.010



CP 230 /
SHIFT SYSTEM



Picture

Page 2 from 2

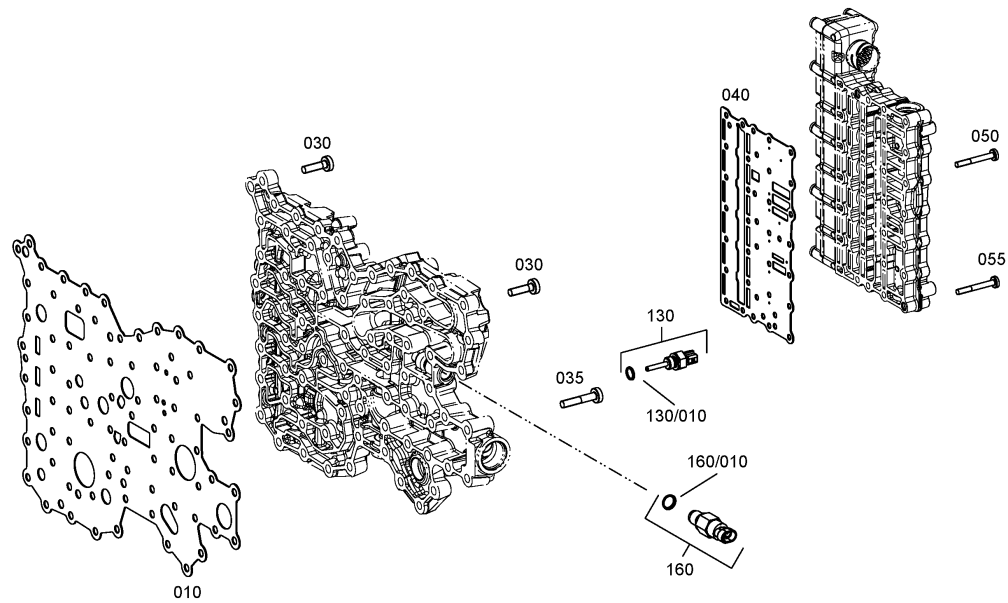
Material number: 4664.082.002

Picture: 466410601080

Material-assembly-group-no: 4664.106.010



CP 230 /
SHIFT SYSTEM



Picture

Page 1 from 2

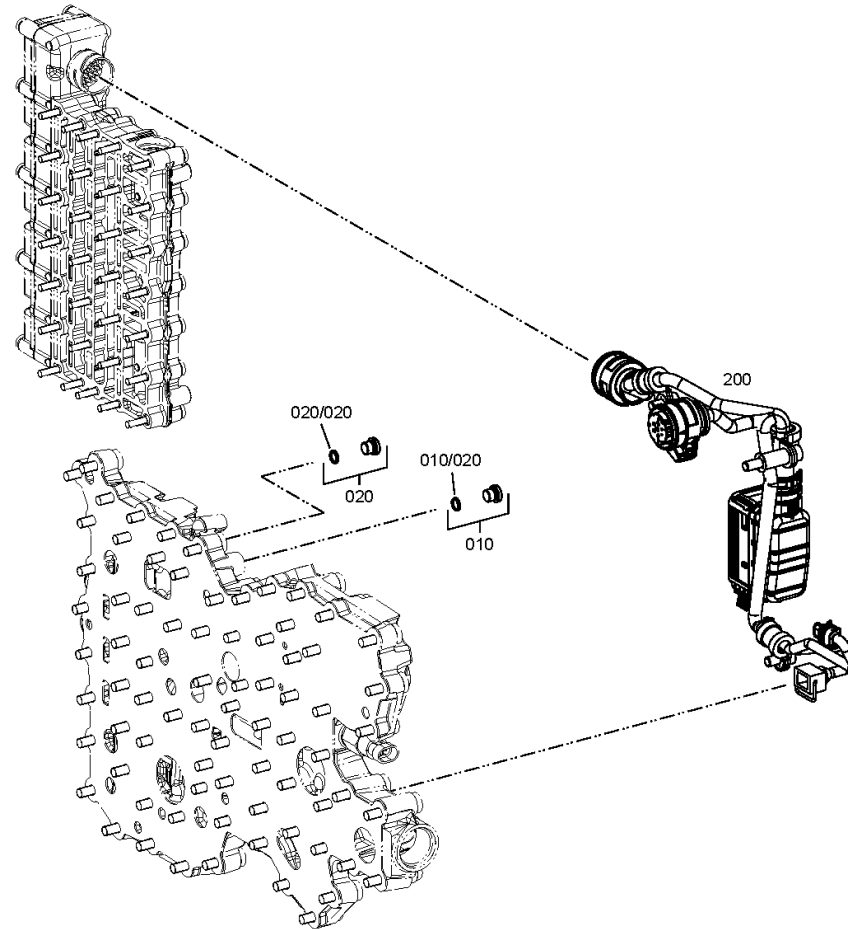
Material number: 4664.082.002

Picture: 466410640500

Material-assembly-group-no: 4664.106.405



CP 230 /
SHIFT SYSTEM



Picture

Page 2 from 2

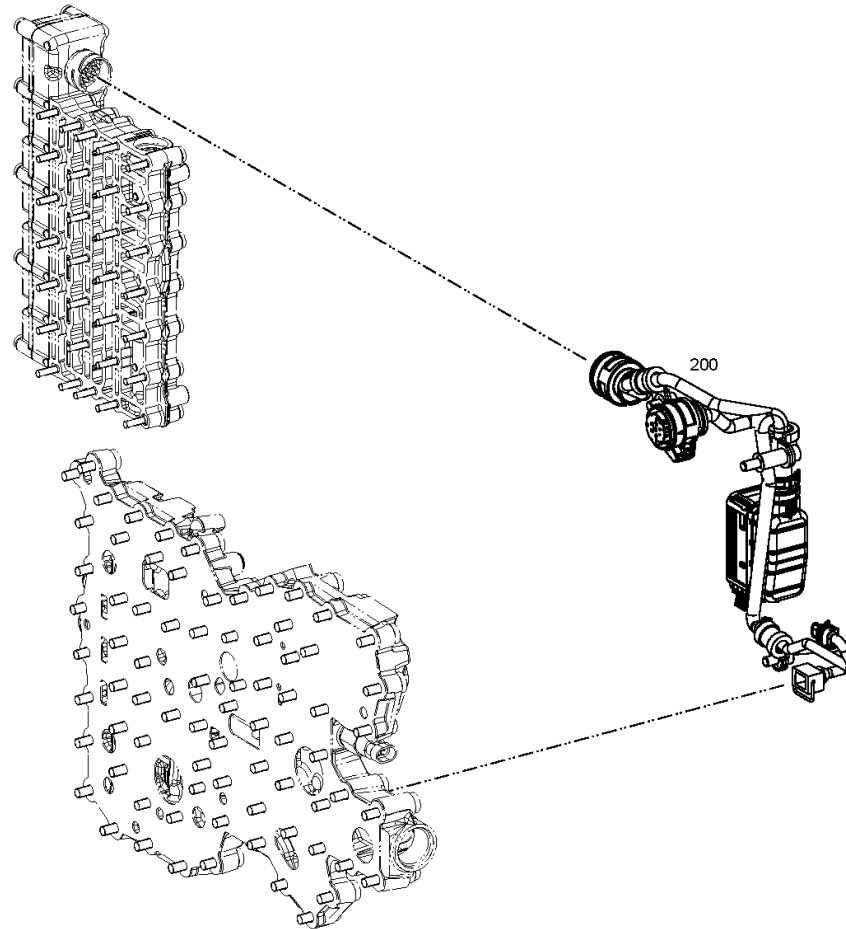
Material number: 4664.082.002

Picture: 466410640580

Material-assembly-group-no: 4664.106.405



CP 230 /
SHIFT SYSTEM



Picture

Page 1 from 2

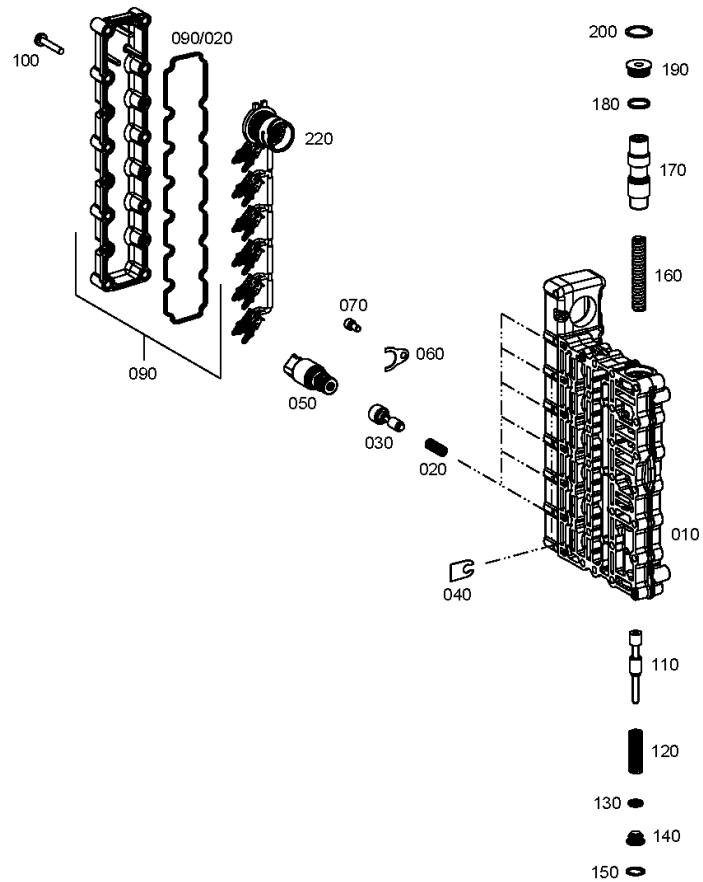
Material number: 4664.082.002

Picture: 466415900300

Material-assembly-group-no: 4664.159.003



CP 230 /
SHIFT SYSTEM



Picture

Page 2 from 2

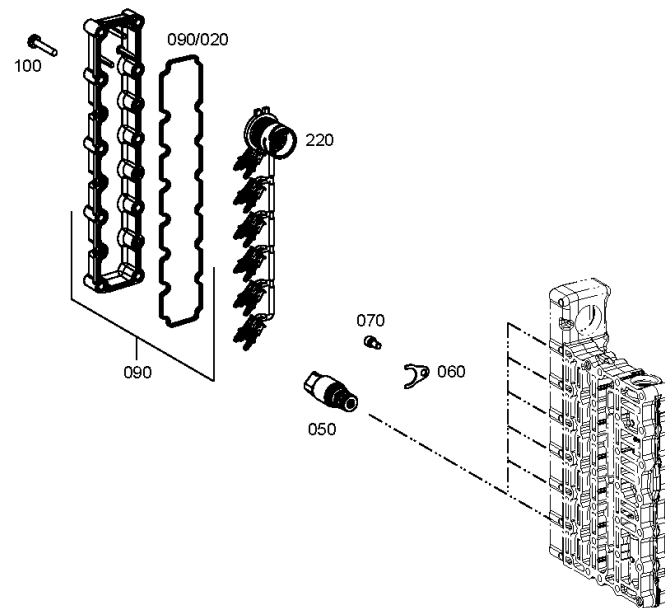
Material number: 4664.082.002

Picture: 466415900380

Material-assembly-group-no: 4664.159.003



CP 230 /
SHIFT SYSTEM



Picture

Page 1 from 1

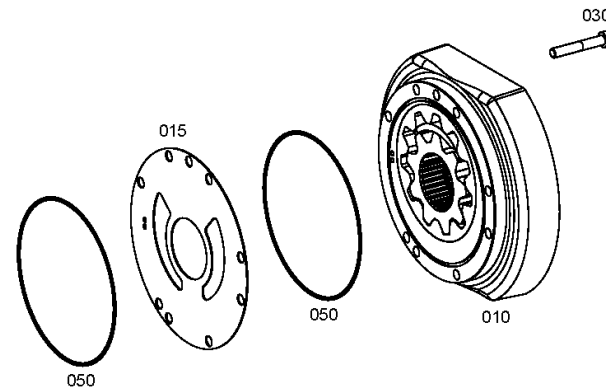
Material number: 4664.082.002

Picture: 466412200300

Material-assembly-group-no: 4664.122.003



CP 230 /
PRESSURE OIL PUMP



Picture

Page 1 from 1

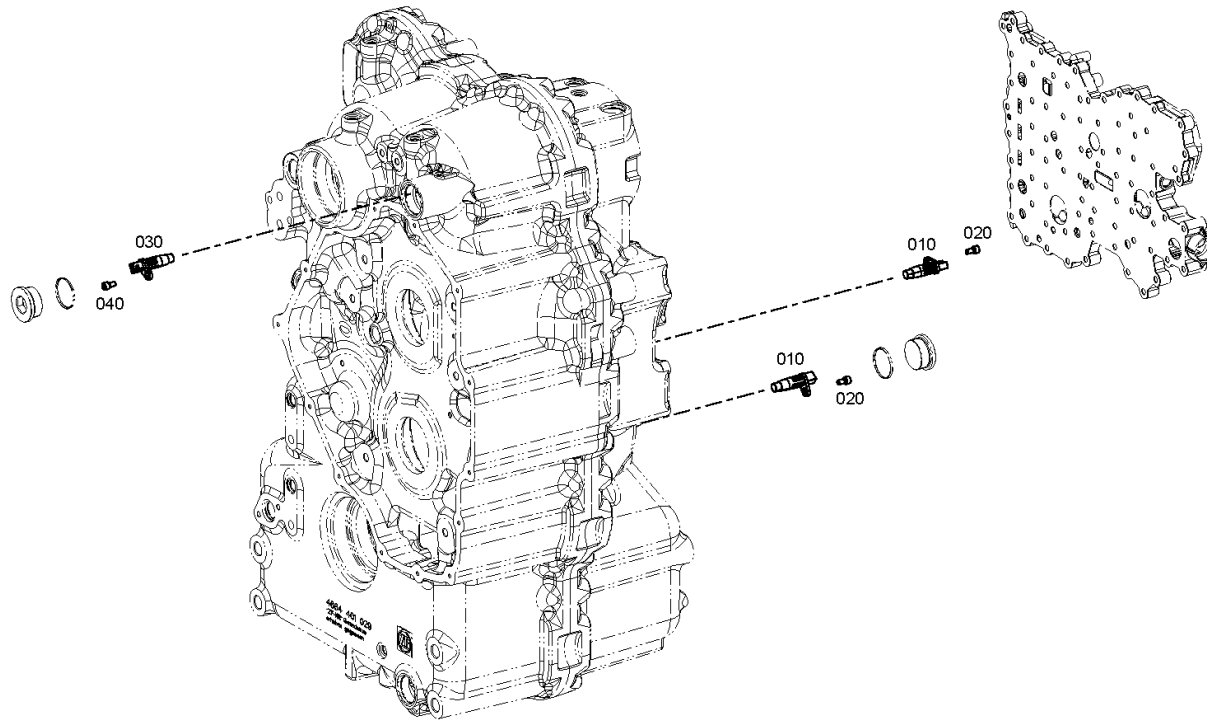
Material number: 4664.082.002

Picture: 466412500100

Material-assembly-group-no: 4664.125.001



CP 230 /
INDUCTIVE SENSOR



Picture

Page 1 from 1

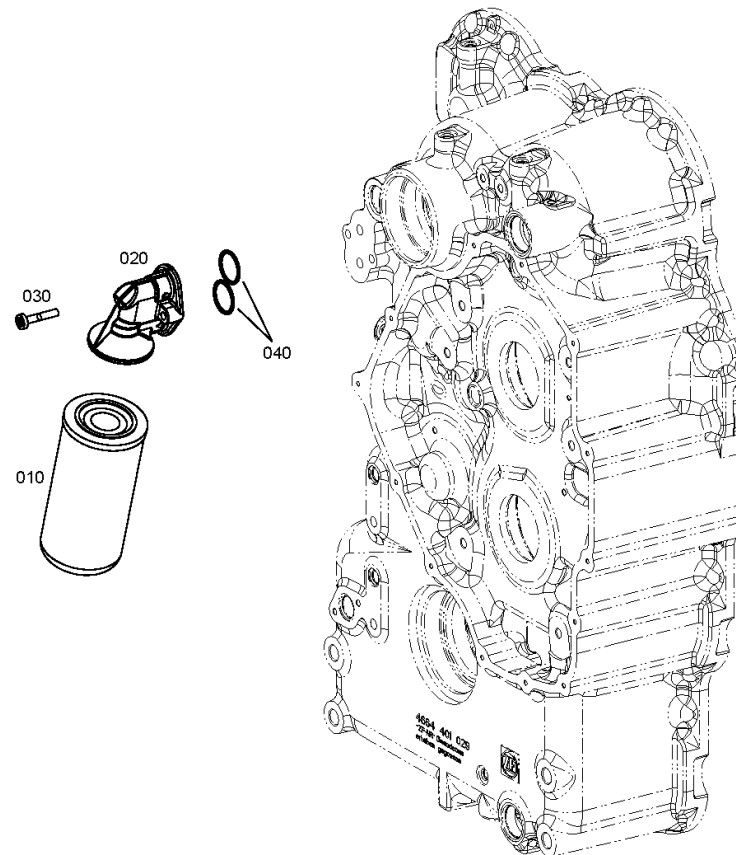
Material number: 4664.082.002

Picture: 466413800800

Material-assembly-group-no: 4664.138.008



CP 230 /
FILTER



Picture

Page 1 from 1

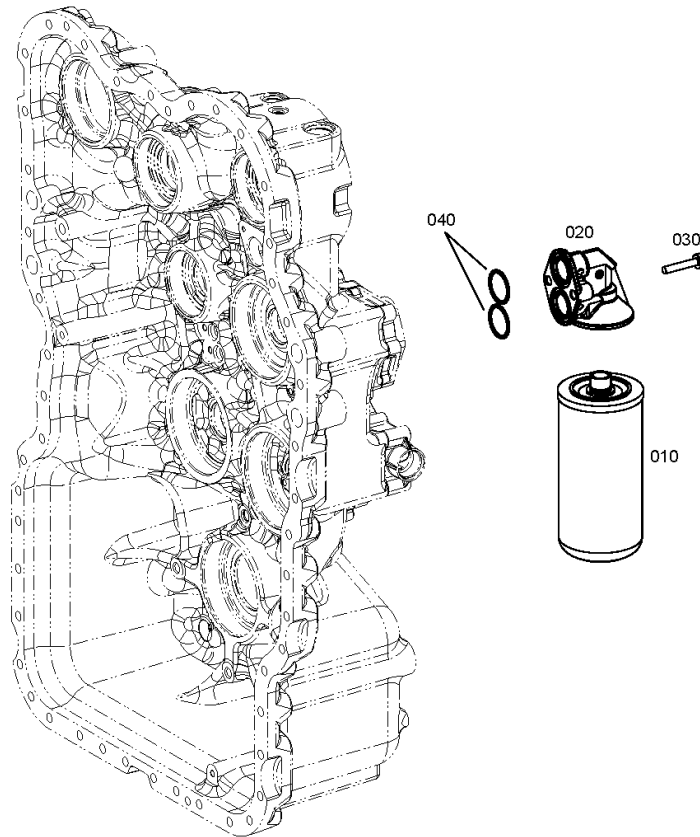
Material number: 4664.082.002

Picture: 466413800900

Material-assembly-group-no: 4664.138.009



CP 230 /
FILTER



Picture

Page 1 from 2

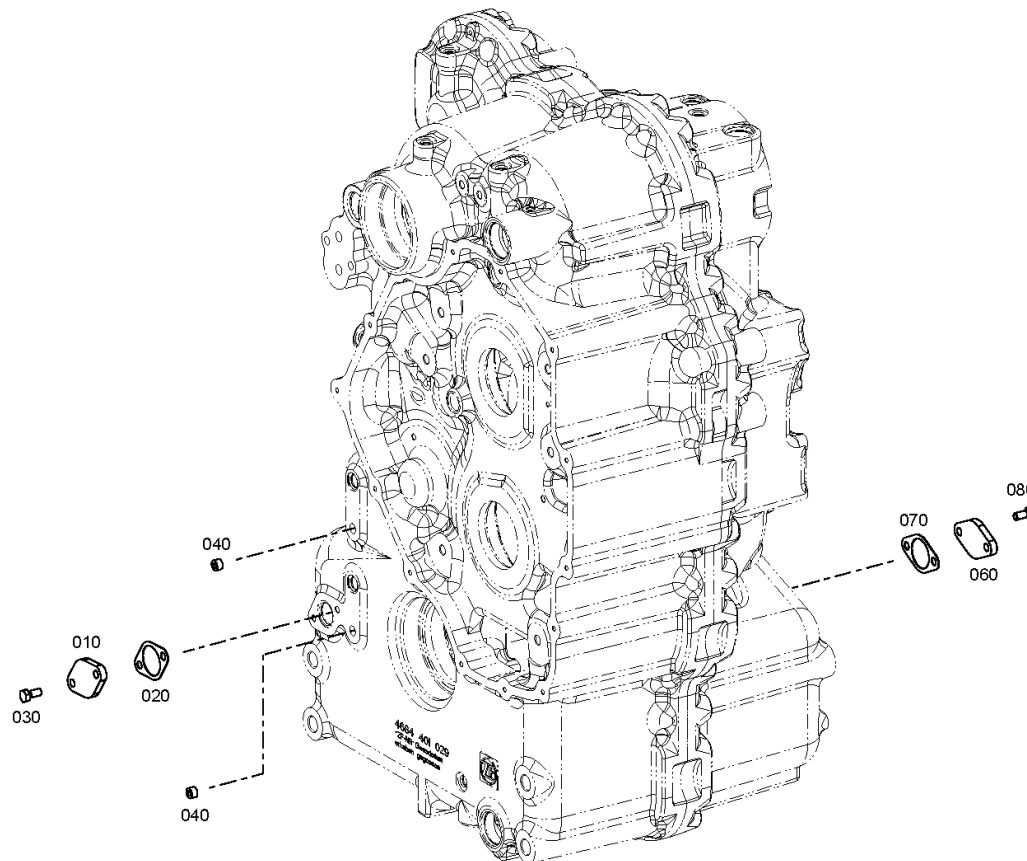
Material number: 4664.082.002

Picture: 466413100200

Material-assembly-group-no: 4664.131.002



CP 230 /
FILLER NOZZLE



Picture

Page 2 from 2

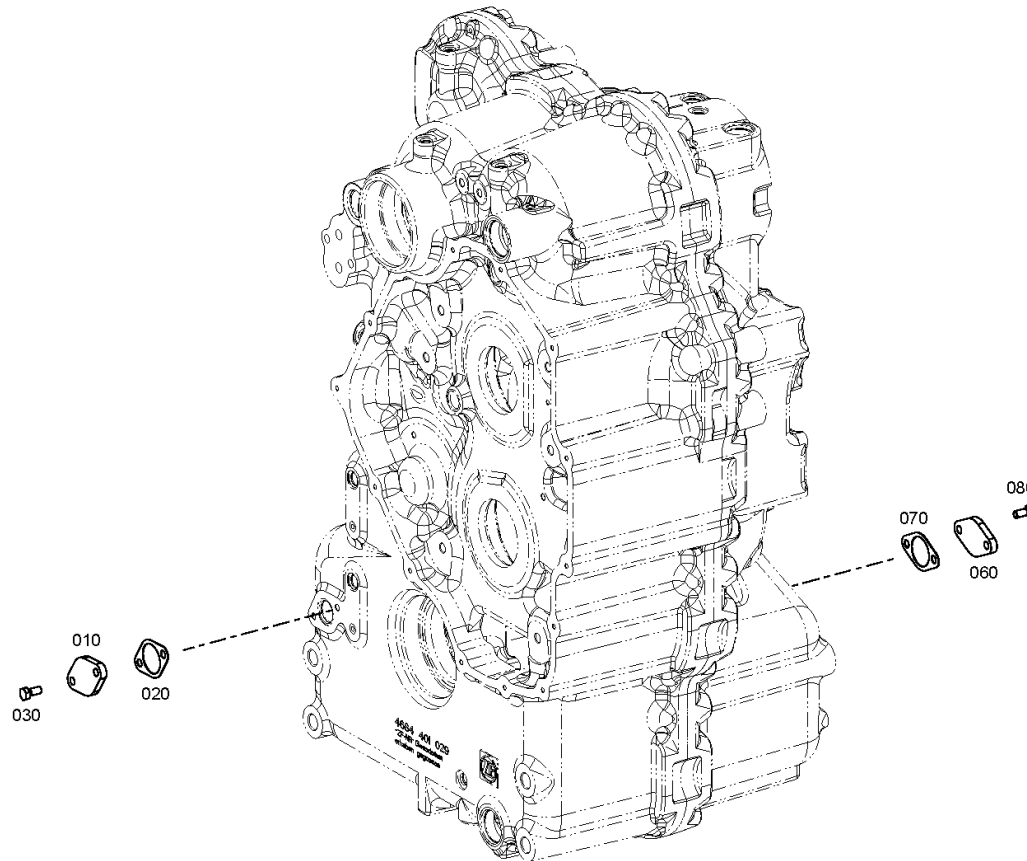
Material number: 4664.082.002

Picture: 466413100280

Material-assembly-group-no: 4664.131.002



CP 230 /
FILLER NOZZLE



Picture

Page 1 from 1

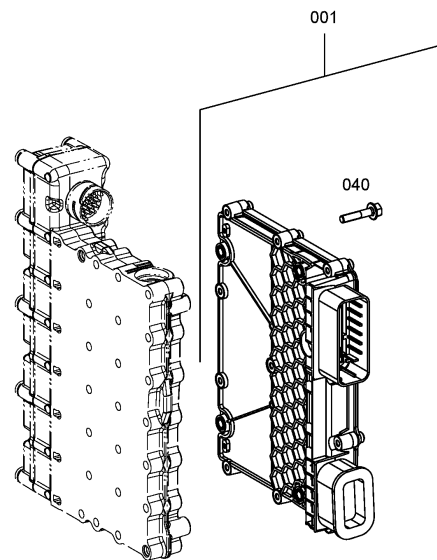
Material number: 4664.082.002

Picture: 605701204500

Material-assembly-group-no: 6057.012.045



CP 230 /
TCU CP EC2B



Picture

Page 1 from 1

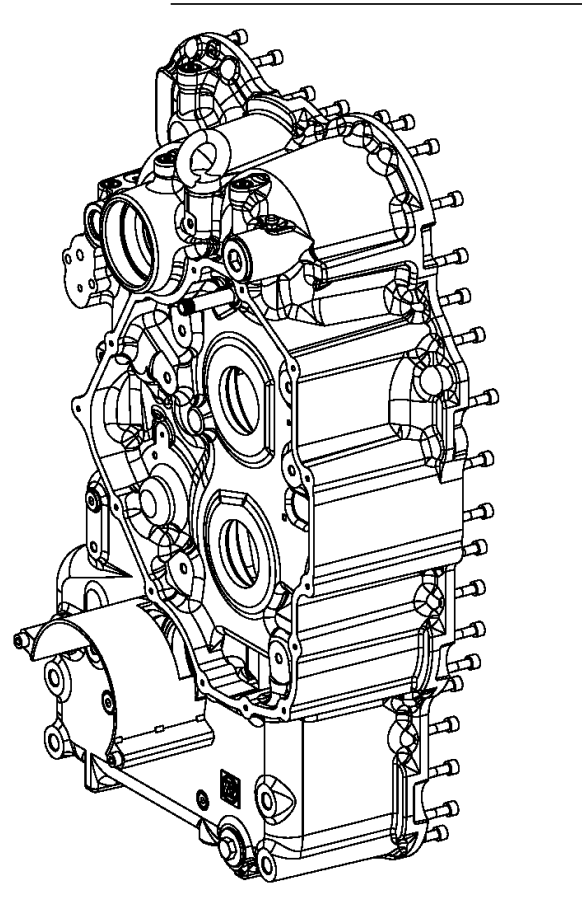
Material number: 4664.082.002

Picture: 466429800400

Material-assembly-group-no: 4664.298.004



CP 230 /
REPAIR KIT



4664 298 004

Picture

Page 1 from 1

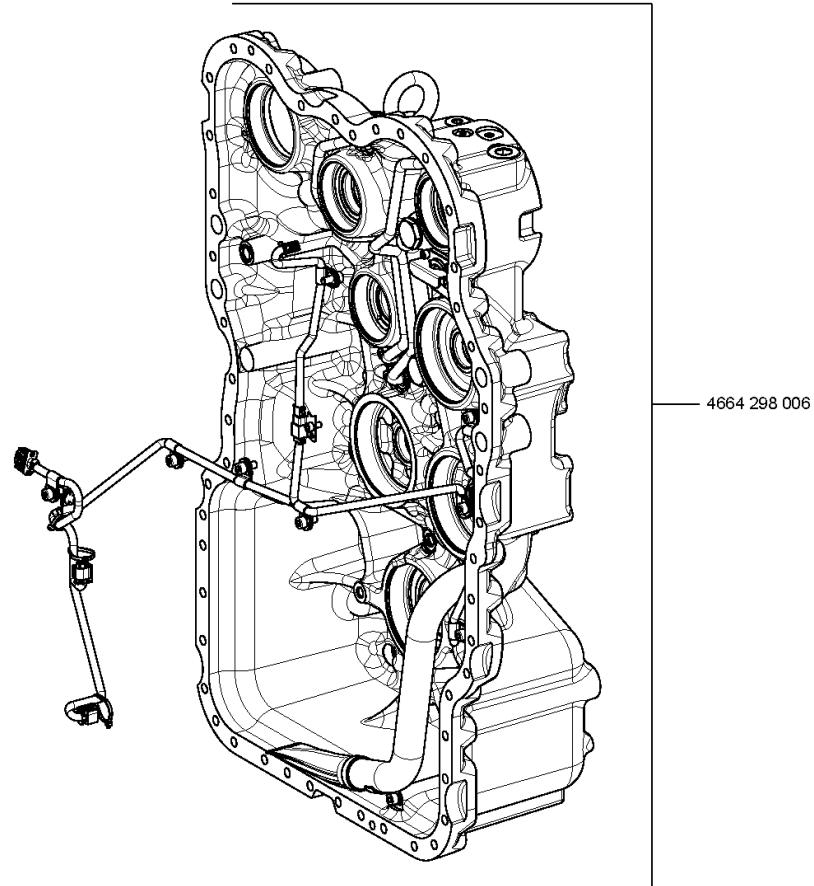
Material number: 4664.082.002

Picture: 466429800600

Material-assembly-group-no: 4664.298.006



CP 230 /
REPAIR KIT



Picture

Page 1 from 1

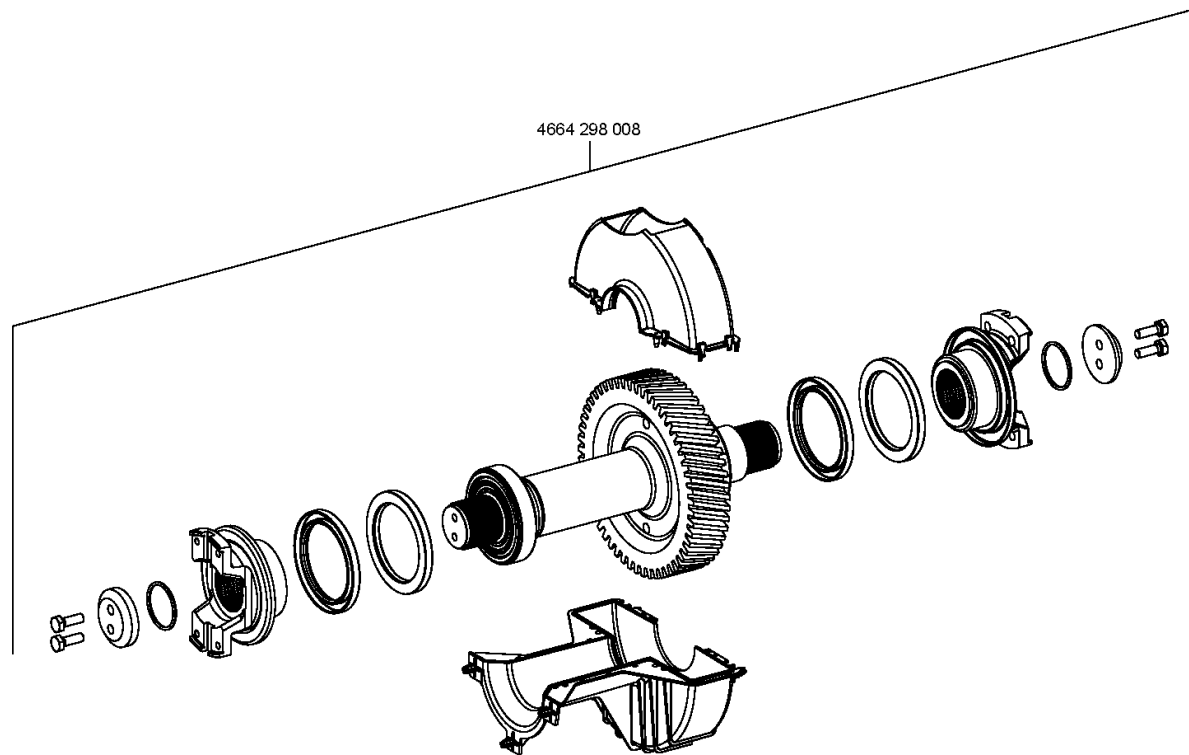
Material number: 4664.082.002

Picture: 466429800800

Material-assembly-group-no: 4664.298.008



CP 230 /
REPAIR KIT



Picture

Page 1 from 1

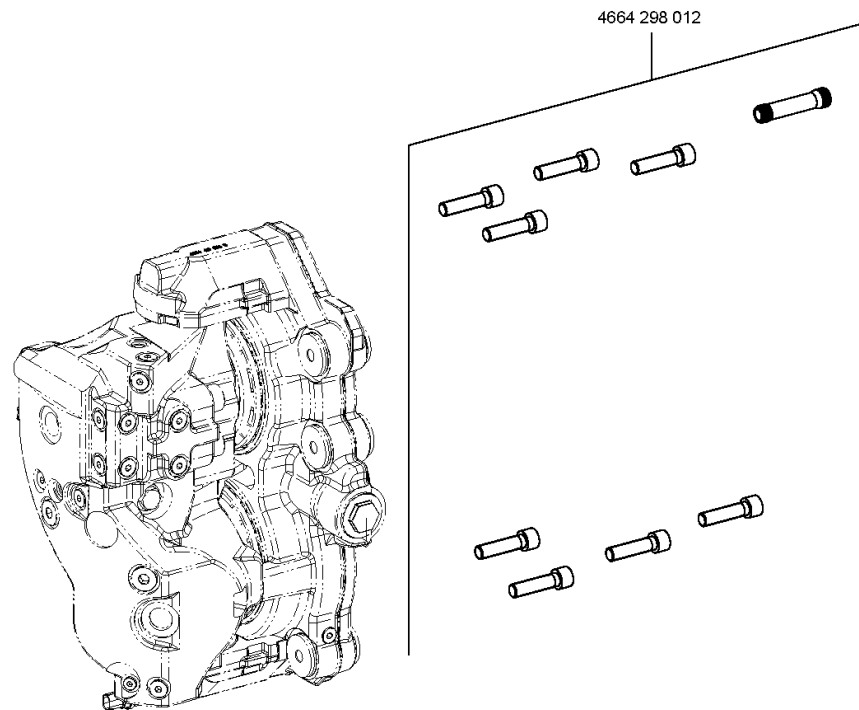
Material number: 4664.082.002

Picture: 466429801200

Material-assembly-group-no: 4664.298.012



CP 230 /
REPAIR KIT



Picture

Page 1 from 1

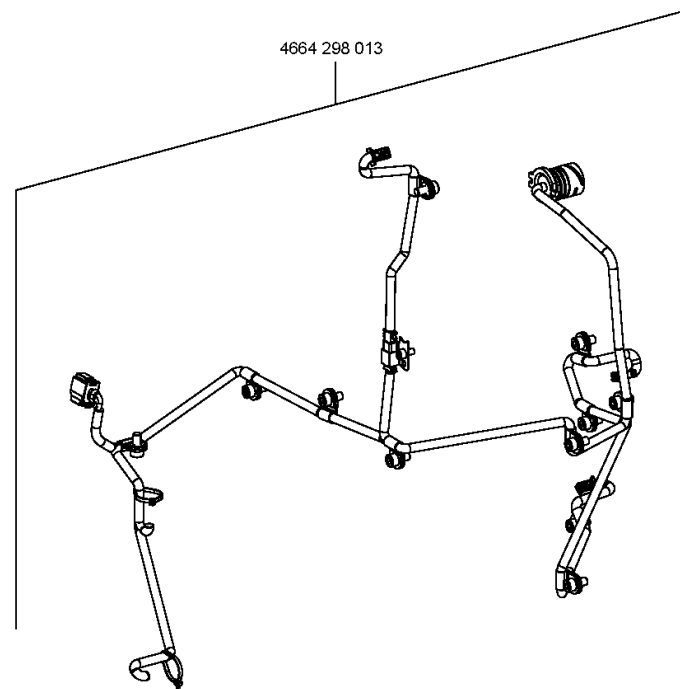
Material number: 4664.082.002

Picture: 466429801300

Material-assembly-group-no: 4664.298.013



CP 230 /
WIRING HARNESS



Picture

Page 1 from 1

Material number: 4664.082.002

Picture: 466429801800

Material-assembly-group-no: 4664.298.018



CP 230 /
REPAIR KIT

