



# Spare Parts Catalog

GK25

Material number: 4699.804.070

Current date: 11.01.2022

ZF Friedrichshafen AG  
Hauptverwaltung  
80038 Friedrichshafen  
Deutschland

Telefon: +49 7541 77-0

Telefax: +49 7541 77-908000

[www.zf.com](http://www.zf.com)

zuständiges Werk:  
Passau

# Notes relating to the spare parts catalog

## Setup of the spare parts catalog

- Cover sheet
- Technical Cover (only in SDM print)
- Overview of figures
- Figure
- Associated parts list
- Next figure
- Associated parts list
- ...

## Figure and parts list



## Overview of figures

Bildtafel Figure	Sachnummer Product number	Benennung (Description)	Technische Info Technical info	Description (Benennung)	Menge Quantity	Einheit Unit
068.08.17	1316.170.001	AUSLEGER	WL	SHIFT TURRET	1	Stk
068.08.06	1316.170.031	DECKEL	WL*H-H *VM	COVER	1	Stk
068.08.14	1316.170.808	DECKEL	WL*AUSL+GEH*H-H*HF160N	COVER	1	Stk
08	1316.170.441	ANSCHLUSSTEILE	WL*NG-VORB*RG-SCHL*168N *BAJONETT	CONNECTING PARTS	1	Stk

The "gap" indicates that there is no separate graphics panel (poster) for this assembly  
The parts of this assembly are shown with the same mid-section number on the figure

### 1 Positions and subpositions

Pos.	Sachnummer Product number	Benennung (Description)	Technische Info Technical info	Description (Benennung)	Menge Quantity	Einheit Unit
0370	1315.201.054	RUECKLAUFBOLZEN	KPL.16S151*SG*L= 79	REV.IDLER SHAFT	1	Stk
/0120	0631.329.293	SPANNSTIFT		SLOT. PIN	1	Stk

Positions marked with "/" are the individual items of a completion  
For example: Position 0370 contains a centering pin with the position /0120

### 2 Combinations with standardized parts

Pos.	Sachnummer Product number	Benennung (Description)	Technische Info Technical info	Description (Benennung)	Menge Quantity	Einheit Unit
0630		VERSCHL.SCHR.		SCREW PLUG	1	Stk
	0636.302.067	VERSCHL.SCHR.		SCREW PLUG	1	Stk
	0634.801.249	DICHTRING	A 26 X 31	SEALING RING	1	Stk

The parts list shows the components included in the combination of standardized parts

### 3 Depiction of position/item number on the figure and in the parts list

01.620 - on the figure      01 relates to the assembly in which the position is included. Due to program-related reasons, it is shown on the figure.

0620 - in the parts list

Pos.	Sachnummer Product number	Benennung (Description)	Technische Info Technical info	Description (Benennung)	Menge Quantity	Einheit Unit
0620	0732.040.736	DRUCKFEDER		COMPRESSION SPRING	1	Stk

### 4 \*-Positions

Positions marked with an \* are optional i.e. inclusion in the parts list is not mandatory.  
The following note is shown on the figure

je nach Stücklistenausführung  
depending on spec. number  
\*  
suivant la nomenclature  
secondo la distinta base

### 5 Parts, dotted display

Parts with dotted display on the figure are only used for orientation of other parts

# Assembly group overview

Page 1 from 1

Material number: 4699.804.070



Graphics	Pos.	Material number	Name	Quantity	Amend. no.	Techn. Info.
469900402700	20	4699.004.027	GK25	1		
469917300400	30	4699.173.004	STEERING GEAR	1		
469919700900	40	4699.197.009	CARRIER	1		
469917009300	50	4699.170.093	MOTOR	1		
469917101400	60	4699.171.014	WHEEL	1		

# Plant

Page 1 from 1

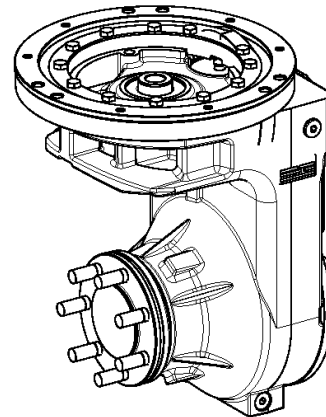
Material number: 4699.804.070

Plant: 469900402700

Material-assembly-group-no: 4699.004.027



GK25 /  
GK25



# Plant

Page 1 from 1

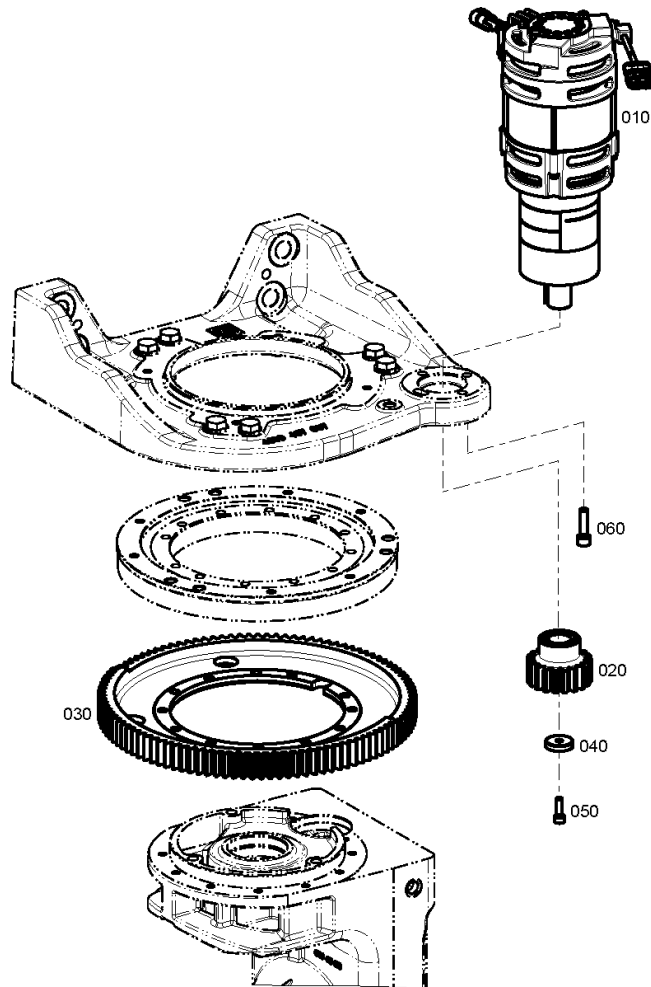
Material number: 4699.804.070

Plant: 469917300400

Material-assembly-group-no: 4699.173.004



GK25 /  
STEERING GEAR



# Plant

Page 1 from 1

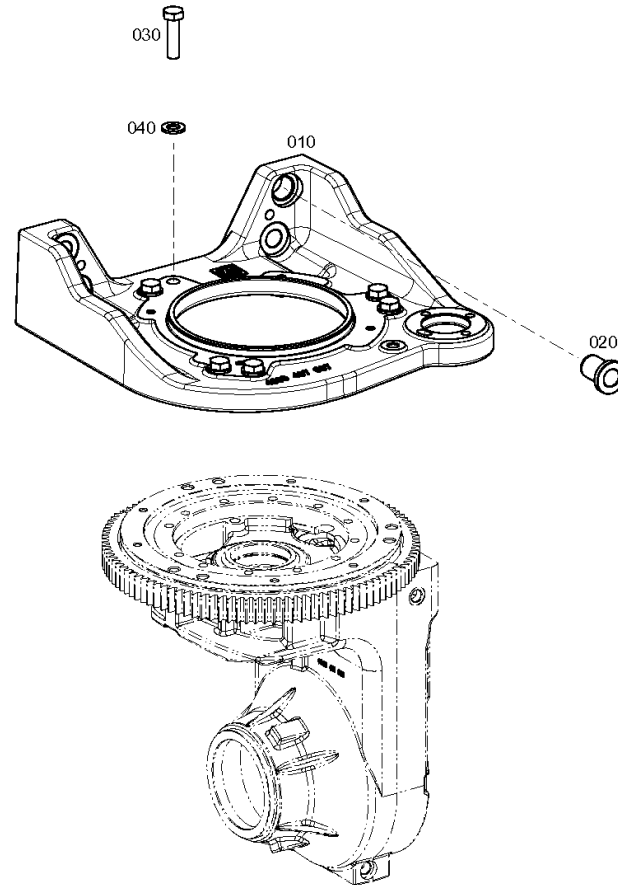
Material number: 4699.804.070

Plant: 469919700900

Material-assembly-group-no: 4699.197.009



GK25 /  
CARRIER



# Plant

Page 1 from 1

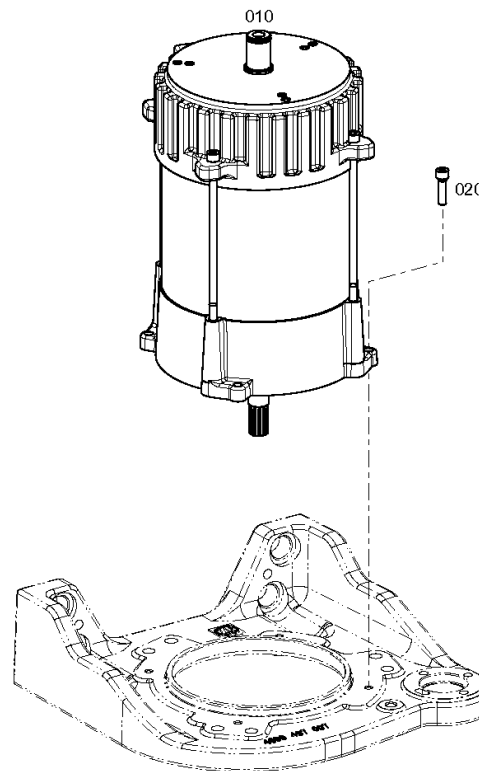
Material number: 4699.804.070

Plant: 469917009300

Material-assembly-group-no: 4699.170.093



GK25 /  
MOTOR



# Plant

Page 1 from 1

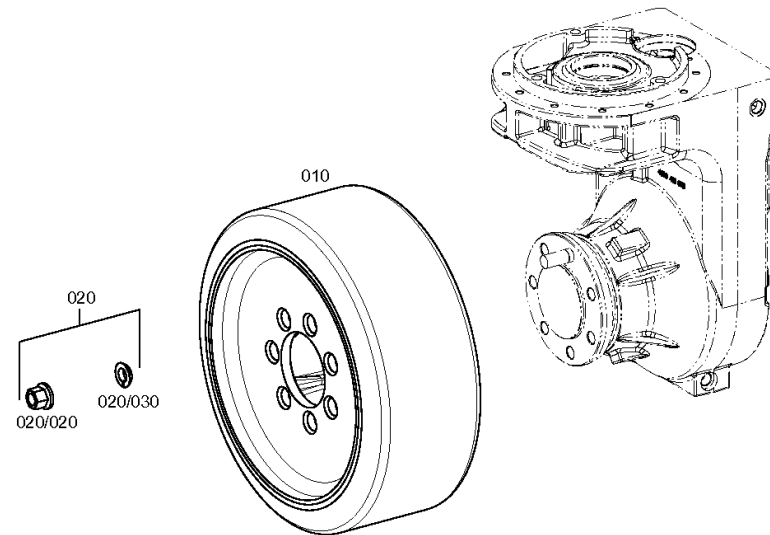
Material number: 4699.804.070

Plant: 469917101400

Material-assembly-group-no: 4699.171.014



GK25 /  
WHEEL





# Plant

Page 1 from 1

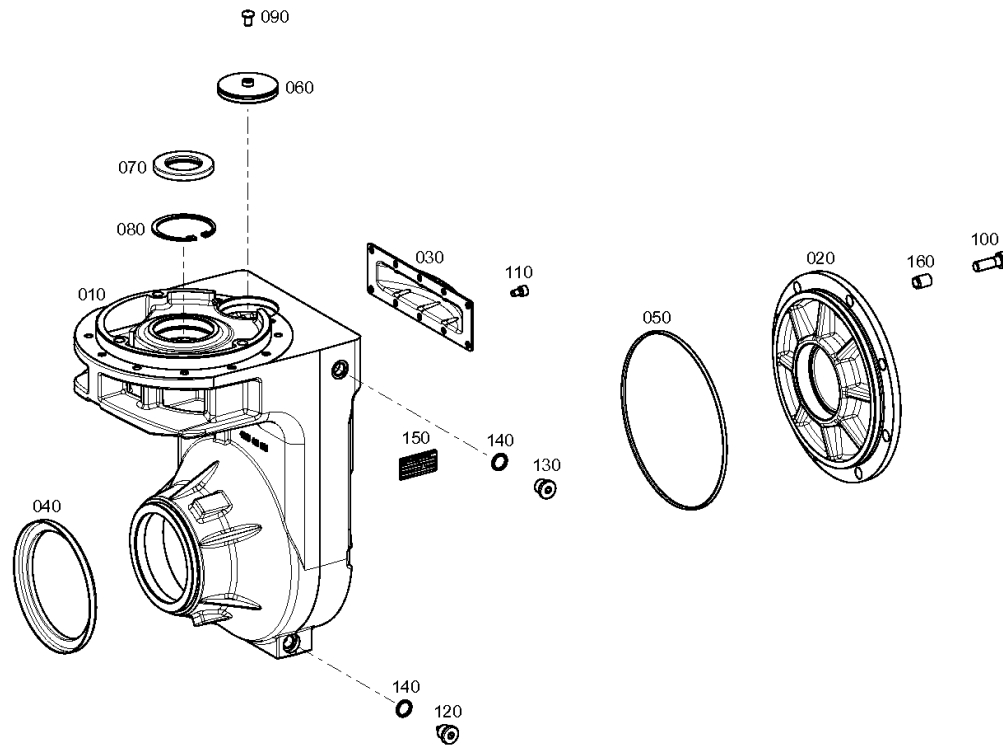
Material number: 4699.004.027

Plant: 469910104300

Material-assembly-group-no: 4699.101.043



GK25 /  
HOUSING



# Plant

Page 1 from 1

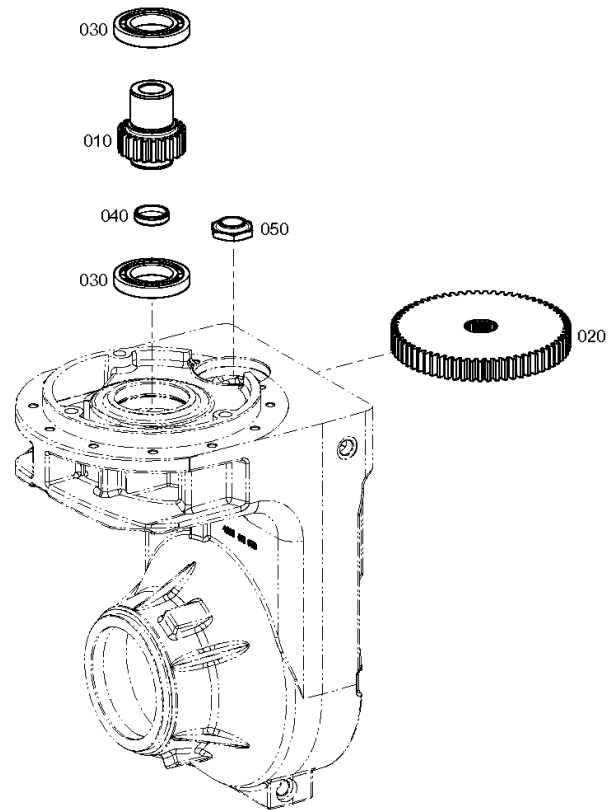
Material number: 4699.004.027

Plant: 469910208400

Material-assembly-group-no: 4699.102.084



GK25 /  
INPUT



# Plant

Page 1 from 1

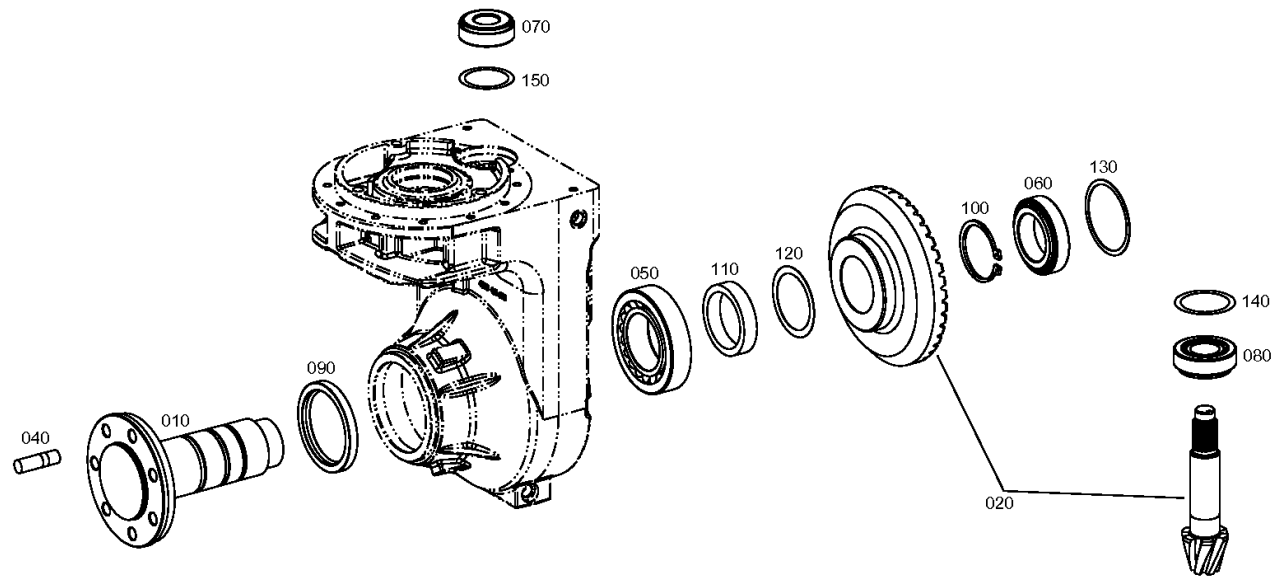
Material number: 4699.004.027

Plant: 469910302600

Material-assembly-group-no: 4699.103.026



GK25 /  
OUTPUT



# Plant

Page 1 from 1

Material number: 4699.004.027

Plant: 469910501000

Material-assembly-group-no: 4699.105.010



GK25 /  
TURNTABLE BEARING

