



Spare Parts Catalog

GP25

Material number: 4699.825.082

Current date: 09.11.2016

ZF Friedrichshafen AG
Hauptverwaltung
80038 Friedrichshafen
Deutschland

Telefon: +49 7541 77-0

Telefax: +49 7541 77-908000

www.zf.com

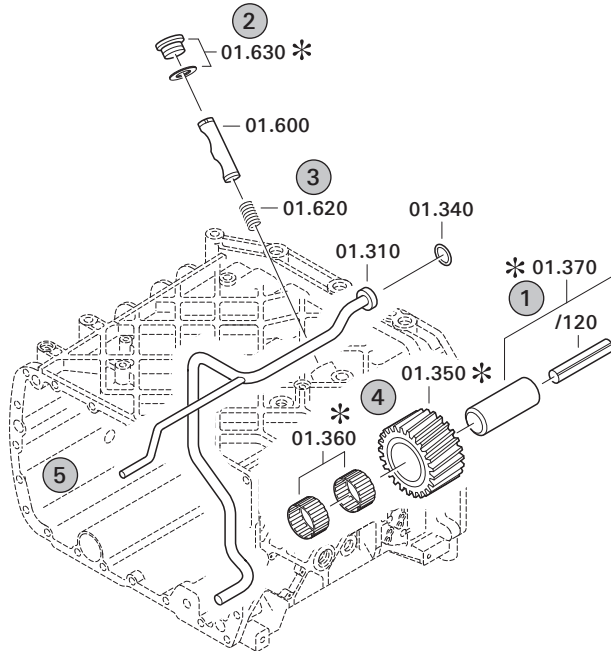
zuständiges Werk:
Passau

Notes relating to the spare parts catalog

Setup of the spare parts catalog

- Cover sheet
- Technical Cover (only in SDM print)
- Overview of figures
- Figure
- Associated parts list
- Next figure
- Associated parts list
- ...

Figure and parts list



Overview of figures

Bildtafel Figure	Sachnummer Product number	Benennung (Description)	Technische Info Technical info	Description (Benennung)	Menge Quantity	Einheit Unit
068.08.17	1316.170.001	AUSLEGER	WL	SHIFT TURRET	1	Stk
068.08.06	1316.170.031	DECKEL	WL*H-H *VM	COVER	1	Stk
068.08.14	1316.170.808	DECKEL	WL*AUSL+GEH*H-H*HF160N	COVER	1	Stk
08	1316.170.441	ANSCHLUSSTEILE	WL*NG-VORB*RG-SCHL*168N *BAJONETT	CONNECTING PARTS	1	Stk

The "gap" indicates that there is no separate graphics panel (poster) for this assembly
The parts of this assembly are shown with the same mid-section number on the figure

1 Positions and subpositions

Pos.	Sachnummer Product number	Benennung (Description)	Technische Info Technical info	Description (Benennung)	Menge Quantity	Einheit Unit
0370	1315.201.054	RUECKLAUFBOLZEN	KPL.16S151*SG*L= 79	REV.IDLER SHAFT	1	Stk
/0120	0631.329.293	SPANNSTIFT		SLOT. PIN	1	Stk

Positions marked with "/" are the individual items of a completion
For example: Position 0370 contains a centering pin with the position /0120

2 Combinations with standardized parts

Pos.	Sachnummer Product number	Benennung (Description)	Technische Info Technical info	Description (Benennung)	Menge Quantity	Einheit Unit
0630		VERSCHL.SCHR.		SCREW PLUG	1	Stk
	0636.302.067	VERSCHL.SCHR.		SCREW PLUG	1	Stk
	0634.801.249	DICHTRING	A 26 X 31	SEALING RING	1	Stk

The parts list shows the components included in the combination of standardized parts

3 Depiction of position/item number on the figure and in the parts list

01.620 - on the figure 01 relates to the assembly in which the position is included. Due to program-related reasons, it is shown on the figure.

0620 - in the parts list

Pos.	Sachnummer Product number	Benennung (Description)	Technische Info Technical info	Description (Benennung)	Menge Quantity	Einheit Unit
0620	0732.040.736	DRUCKFEDER		COMPRESSION SPRING	1	Stk

4 *-Positions

Positions marked with an * are optional i.e. inclusion in the parts list is not mandatory.
The following note is shown on the figure

je nach Stücklistenausführung
depending on spec. number
*
suivant la nomenclature
secondo la distinta base

5 Parts, dotted display

Parts with dotted display on the figure are only used for orientation of other parts

Assembly group overview

Page 1 from 1

Material number: 4699.825.082



Picture	Pos.	Material number	Name	Quantity	Amend. no.	Techn. Info.
	20	4699.025.063	GP25	1		

Assembly group overview

Page 1 from 1

Material number: 4699.025.063



Picture	Pos.	Material number	Name	Quantity	Amend. no.	Techn. Info.
4699101070 50	10	4699.101.070	HOUSING	1		
4699102130 50	20	4699.102.130	INPUT	1		
4699103043 00	30	4699.103.043	OUTPUT	1		
4699109062 00	40	4699.109.062	BRAKE PARTS	1		

Picture

Page 1 from 1

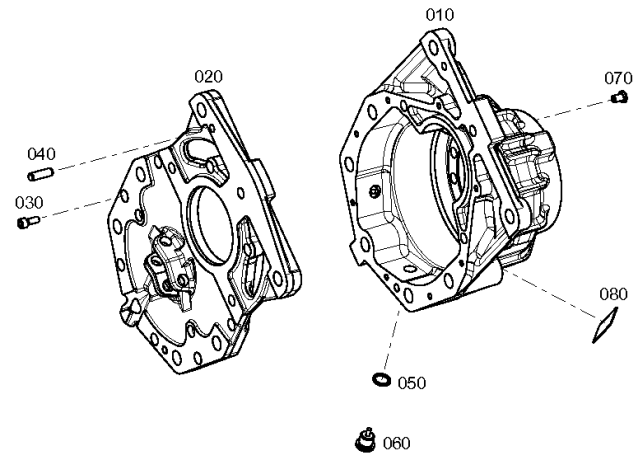
Material number: 4699.025.063

Picture: 469910107050

Material-assembly-group-no: 4699.101.070



GP25 /
HOUSING



Picture

Page 1 from 1

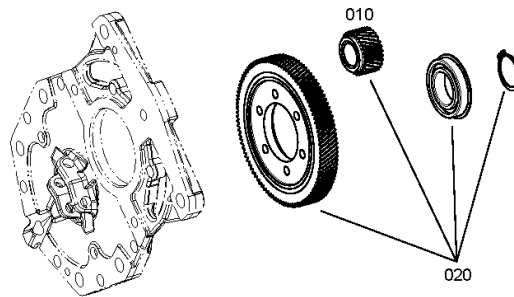
Material number: 4699.025.063

Picture: 469910213050

Material-assembly-group-no: 4699.102.130



GP25 /
INPUT



Picture

Page 1 from 1

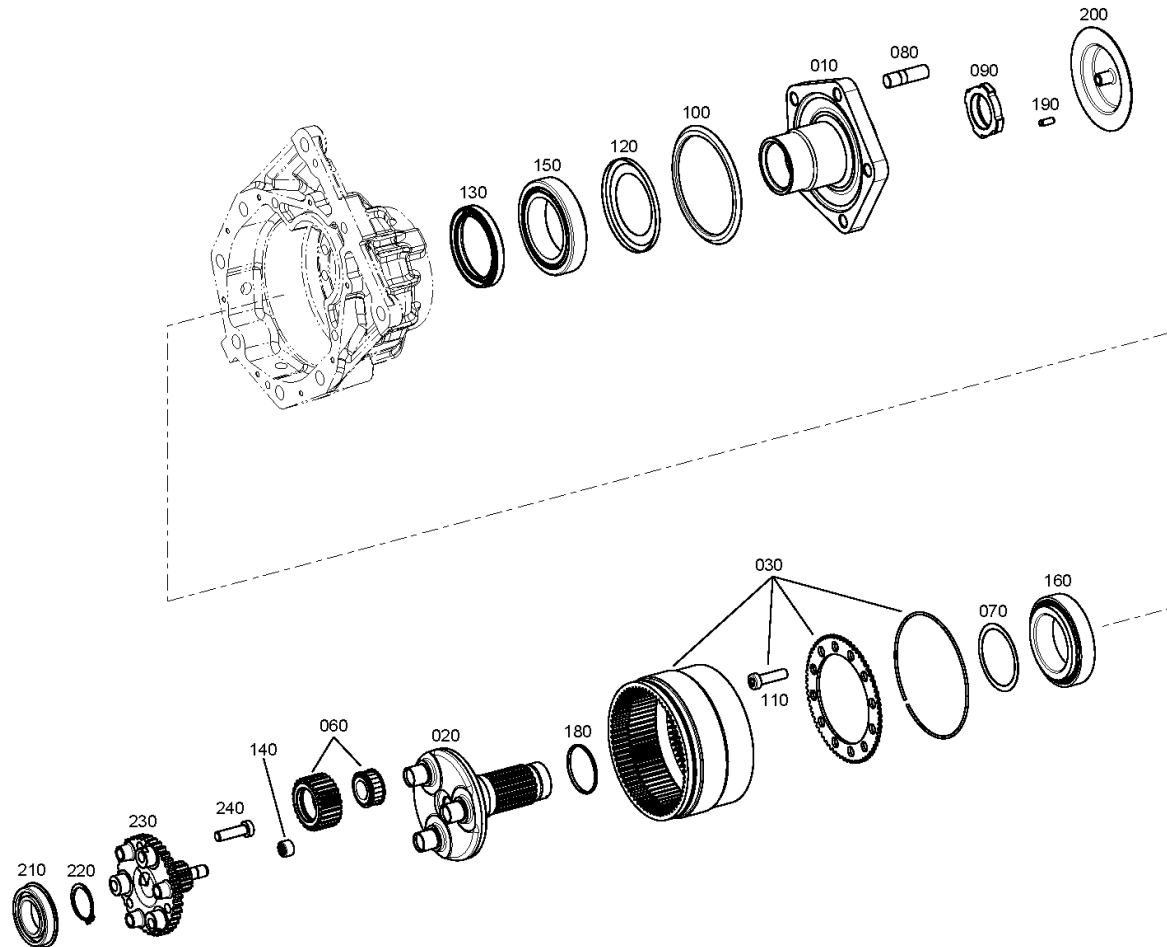
Material number: 4699.025.063

Picture: 469910304300

Material-assembly-group-no: 4699.103.043



GP25 /
OUTPUT



Picture

Page 1 from 1

Material number: 4699.025.063

Picture: 469910906200

Material-assembly-group-no: 4699.109.062



GP25 /
BRAKE PARTS

