



Spare Parts Catalog

REAR AXLE

Material number: 5838.073.009

Current date: 02.05.2018

ZF Friedrichshafen AG
Hauptverwaltung
80038 Friedrichshafen
Deutschland

Telefon: +49 7541 77-0

Telefax: +49 7541 77-908000

www.zf.com

zuständiges Werk:
Passau

Notes relating to the spare parts catalog

Setup of the spare parts catalog

- Cover sheet
- Technical Cover (only in SDM print)
- Overview of figures
- Figure
- Associated parts list
- Next figure
- Associated parts list
- ...

Figure and parts list



Overview of figures

Bildtafel Figure	Sachnummer Product number	Benennung (Description)	Technische Info Technical info	Description (Benennung)	Menge Quantity	Einheit Unit
068.08.17	1316.170.001	AUSLEGER	WL	SHIFT TURRET	1	Stk
068.08.06	1316.170.031	DECKEL	WL*H-H *VM	COVER	1	Stk
068.08.14	1316.170.808	DECKEL	WL*AUSL+GEH*H-H*HF160N	COVER	1	Stk
08	1316.170.441	ANSCHLUSSTEILE	WL*NG-VORB*RG-SCHL*168N *BAJONETT	CONNECTING PARTS	1	Stk

The "gap" indicates that there is no separate graphics panel (poster) for this assembly
The parts of this assembly are shown with the same mid-section number on the figure

1 Positions and subpositions

Pos.	Sachnummer Product number	Benennung (Description)	Technische Info Technical info	Description (Benennung)	Menge Quantity	Einheit Unit
0370	1315.201.054	RUECKLAUFBOLZEN	KPL.16S151*SG*L= 79	REV.IDLER SHAFT	1	Stk
/0120	0631.329.293	SPANNSTIFT		SLOT. PIN	1	Stk

Positions marked with "/" are the individual items of a completion
For example: Position 0370 contains a centering pin with the position /0120

2 Combinations with standardized parts

Pos.	Sachnummer Product number	Benennung (Description)	Technische Info Technical info	Description (Benennung)	Menge Quantity	Einheit Unit
0630		VERSCHL.SCHR.		SCREW PLUG	1	Stk
	0636.302.067	VERSCHL.SCHR.		SCREW PLUG	1	Stk
	0634.801.249	DICHTRING	A 26 X 31	SEALING RING	1	Stk

The parts list shows the components included in the combination of standardized parts

3 Depiction of position/item number on the figure and in the parts list

01.620 - on the figure 01 relates to the assembly in which the position is included. Due to program-related reasons, it is shown on the figure.

0620 - in the parts list

Pos.	Sachnummer Product number	Benennung (Description)	Technische Info Technical info	Description (Benennung)	Menge Quantity	Einheit Unit
0620	0732.040.736	DRUCKFEDER		COMPRESSION SPRING	1	Stk

4 *-Positions

Positions marked with an * are optional i.e. inclusion in the parts list is not mandatory.
The following note is shown on the figure

je nach Stücklistenausführung
depending on spec. number
*
suivant la nomenclature
secondo la distinta base

5 Parts, dotted display

Parts with dotted display on the figure are only used for orientation of other parts

Assembly group overview

Page 1 from 1

Material number: 5838.073.009



REAR AXLE /

Graphics	Pos.	Material number	Name	Quantity	Amend. no.	Techn. Info.
583810900300	10	5838.109.009	DIFFERENTIAL	1		
583811001500	30	5838.110.015	P.T.O. SHAFT	1		
583811700100	50	5838.117.025	REAR AXLE HOUS.	1		
583812800200	80	5838.128.006	SERVICE BRAKE	1		
583812900100	82	5838.129.001	BRAKE SHAFT	1		
583814001200	110	5838.140.008	HOISTING UNIT	1		
583813800100	90	5838.138.001	CONTROL UNIT	1		

Parts list

Page 1 from 2



REAR AXLE /

Material number: 5838.073.009

Plant: 583810900300

Material-assembly-group-no: 5838.109.009

Pos.	Material number	Customer material	Name	Quantity	ME	Amend. no.	Techn. Info.	Rep kit	Alternative material
5	0750.117.075		TAPER ROLLER BEARING	2			80,000X125,000X29,000		
8	2093.209.023		DIFFERENTIAL	1					
/10	5838.300.626		DIFFERENTIAL HOUSING	1					
/20	0631.329.088		SLOTTED PIN	4			8X50		
/30	5838.300.811		THRUST WASHER	1					
/40	5838.300.721		AXLE BEVEL GEAR	1					
/50	5838.300.633		COMPENS. STUB AXLE	4					
/60	5838.300.753		THRUST WASHER	4					
/70	5838.300.754		DIFFERENTIAL BEVEL GEAR	4					
/80	5838.300.631		AXLE BEVEL GEAR	1					
/90	5838.300.818		THRUST WASHER	1					
/100	5838.300.174		DIFFERENTIAL HOUSING	1					
62	5840.303.409		OUTER CLUTCH DISK	6					
65	0501.324.834		INNER CLUTCH DISK	5			Z=41		
73	5838.300.755		PISTON	1					
80	0634.304.754		O-RING	1			165X3		
85	0634.306.285		O-RING	1			69X3		
92	5838.300.147		R-RING	1			55X2,5		
94	5838.300.148		R-RING	1			70X3		
97	2093.309.044		CROWN WHEEL	1			Z=63		
100	0636.102.703		HEXAGON SCREW	12			M12X80		
101	0630.003.050		WASHER	12					
107	5838.300.621		PINION SHAFT	2			Z=16		
116	5838.300.150		RING	2					
119	5838.300.151		SHAFT SEAL	2			65,000X100,000X22,000		
121	0634.306.268		O-RING	2			54X2,5		
138	5838.300.245		INNER GEAR RING	2					
140	0631.611.060		SET SCREW	2			M10X16		
141	0631.313.098		CYLINDRICAL PIN	2		K00640/0510	12X24		
145	0635.460.021		BALL	2			10		
160	0735.455.319		CYLINDER ROLLER BEARING	6			55,000X80,870X42,000		
165	0730.010.811		THRUST WASHER	12					
168	5838.300.247		PLANET CARRIER	2			l=8,25		

Parts list

Page 2 from 2



REAR AXLE /

Material number: 5838.073.009

Plant: 583810900300

Material-assembly-group-no: 5838.109.009

Pos.	Material number	Customer material	Name	Quantity	ME	Amend. no.	Techn. Info.	Rep kit	Alternative material
170	0630.513.098		SNAP RING	12					
174	5838.300.246		PLANETARY GEAR	6			l=8,25 Z=49		
175	0630.501.038		RETAINING RING	6			55X2		
185	0631.329.322		SLOTTED PIN	2			8X90		
191	5840.300.364		WHEEL STUD	8					
193	5838.300.340		SLOTTED NUT	1					
200	5838.200.116		AXLE SHAFT	2					
210	0750.117.814		TAPERED ROLLER BEARING	2			85,000X130,000X29,000		
215	0635.370.003		TAPERED ROLLER BEARING	2			95X145X32		
225	5841.302.031		SHAFT SEAL	2					

Plant

Page 1 from 1

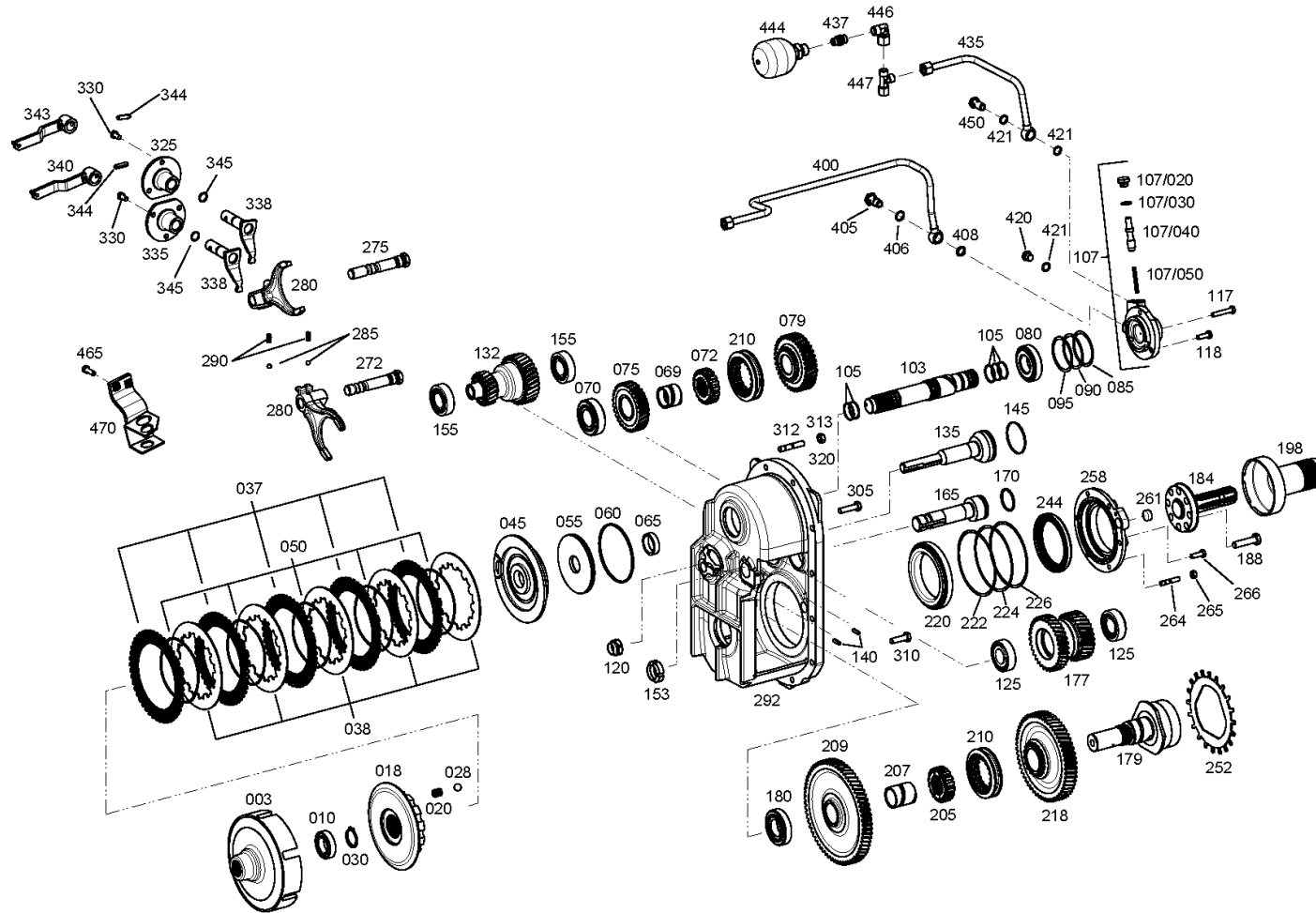
Material number: 5838.073.009

Plant: 583811001500

Material-assembly-group-no: 5838.110.015



REAR AXLE /
P.T.O. SHAFT



Plant

Page 1 from 1

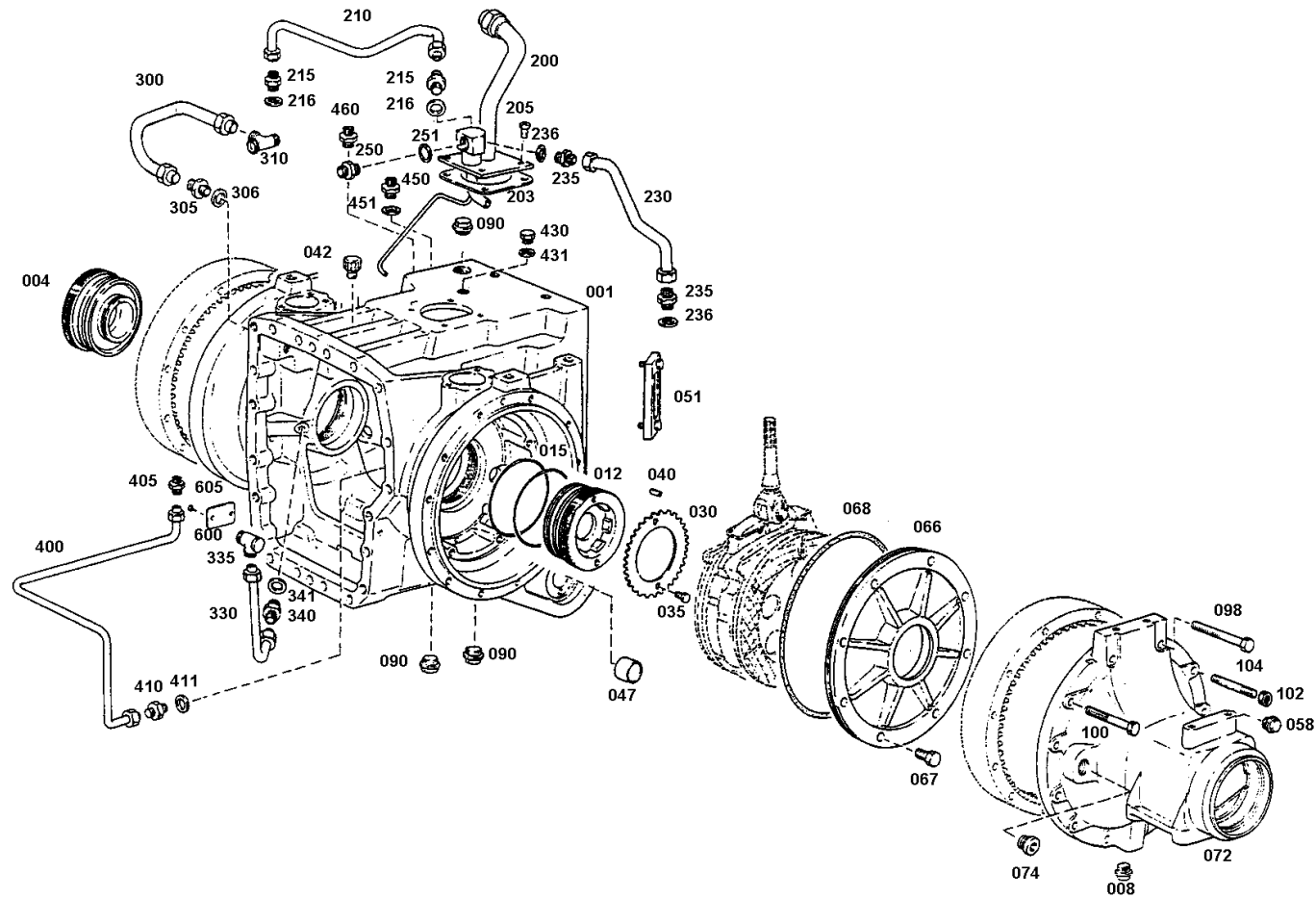
Material number: 5838.073.009

Plant: 583811700100

Material-assembly-group-no: 5838.117.025



REAR AXLE /
REAR AXLE HOUS.



Plant

Page 1 from 1

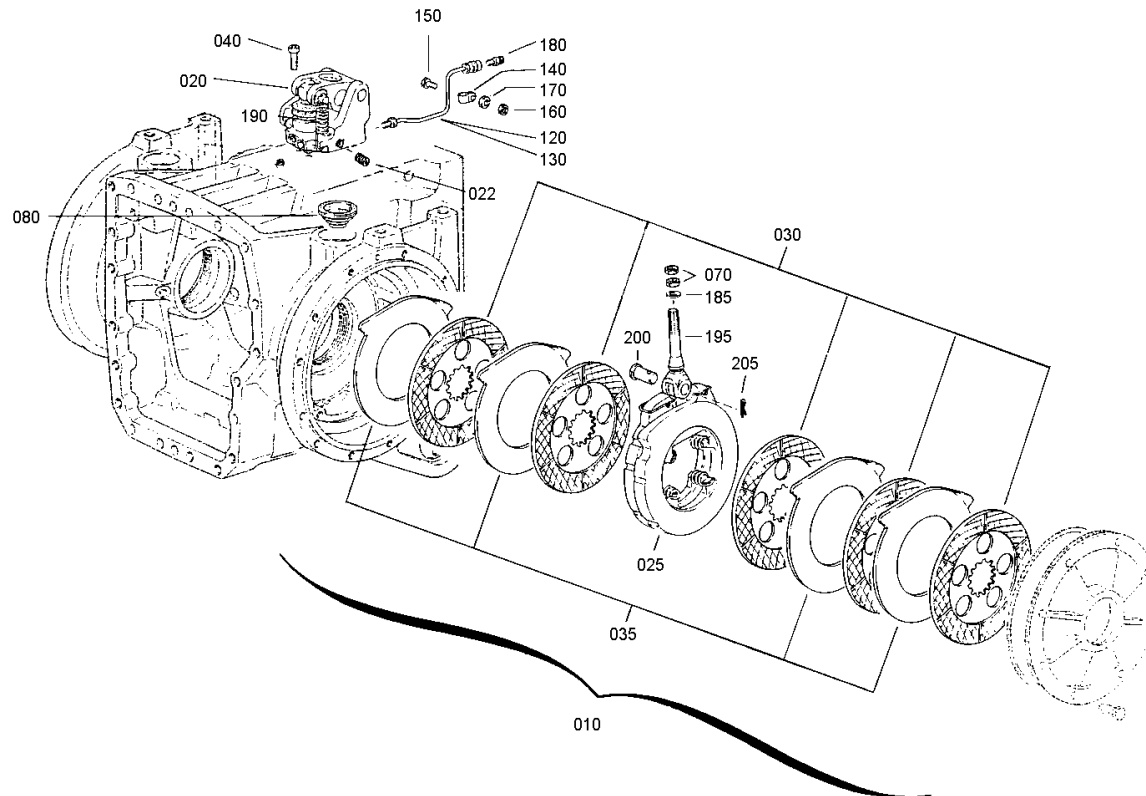
Material number: 5838.073.009

Plant: 583812800200

Material-assembly-group-no: 5838.128.006



REAR AXLE /
SERVICE BRAKE



Plant

Page 1 from 1

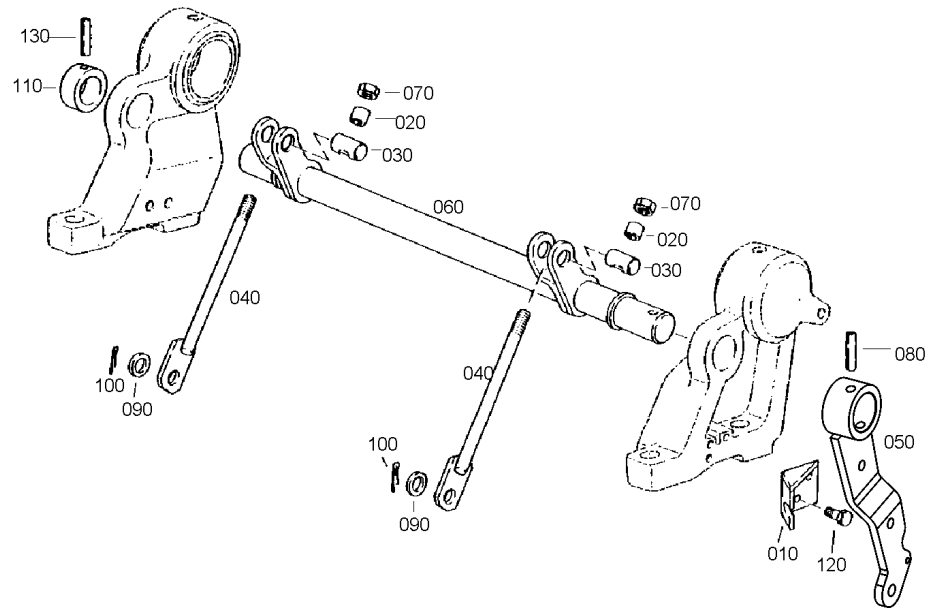
Material number: 5838.073.009

Plant: 583812900100

Material-assembly-group-no: 5838.129.001



REAR AXLE /
BRAKE SHAFT



Plant

Page 1 from 1

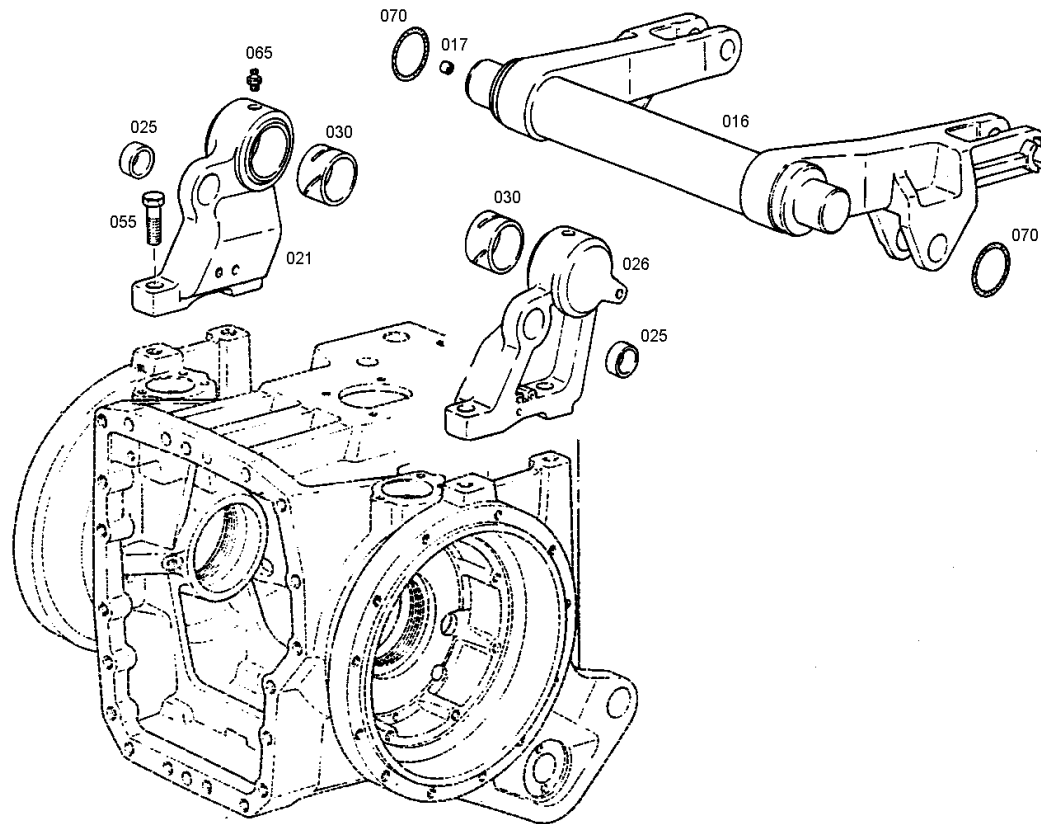
Material number: 5838.073.009

Plant: 583814001200

Material-assembly-group-no: 5838.140.008



REAR AXLE /
HOISTING UNIT



Plant

Page 1 from 1

Material number: 5838.073.009

Plant: 583813800100

Material-assembly-group-no: 5838.138.001



REAR AXLE /
CONTROL UNIT

