



Spare Parts Catalog

FRONT PTO

Material number: 5842.001.001

Current date: 26.08.2010

ZF Friedrichshafen AG
Hauptverwaltung
80038 Friedrichshafen
Deutschland

Telefon: +49 7541 77-0

Telefax: +49 7541 77-908000

www.zf.com

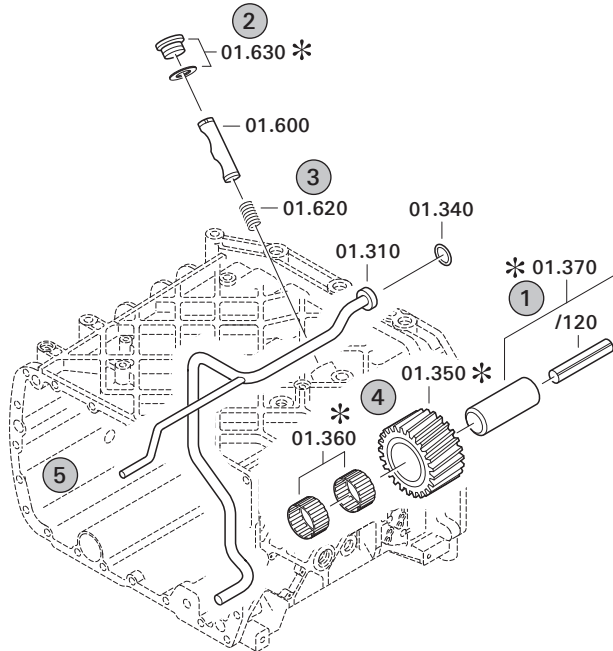
zuständiges Werk:
Passau

Notes relating to the spare parts catalog

Setup of the spare parts catalog

- Cover sheet
- Technical Cover (only in SDM print)
- Overview of figures
- Figure
- Associated parts list
- Next figure
- Associated parts list
- ...

Figure and parts list



Overview of figures

Bildtafel Figure	Sachnummer Product number	Benennung (Description)	Technische Info Technical info	Description (Benennung)	Menge Quantity	Einheit Unit
068.08.17	1316.170.001	AUSLEGER	WL	SHIFT TURRET	1	Stk
068.08.06	1316.170.031	DECKEL	WL*H-H *VM	COVER	1	Stk
068.08.14	1316.170.808	DECKEL	WL*AUSL+GEH*H-H*HF160N	COVER	1	Stk
08	1316.170.441	ANSCHLUSSTEILE	WL*NG-VORB*RG-SCHL*168N *BAJONETT	CONNECTING PARTS	1	Stk

The "gap" indicates that there is no separate graphics panel (poster) for this assembly
The parts of this assembly are shown with the same mid-section number on the figure

1 Positions and subpositions

Pos.	Sachnummer Product number	Benennung (Description)	Technische Info Technical info	Description (Benennung)	Menge Quantity	Einheit Unit
0370	1315.201.054	RUECKLAUFBOLZEN	KPL.16S151*SG*L= 79	REV.IDLER SHAFT	1	Stk
/0120	0631.329.293	SPANNSTIFT		SLOT. PIN	1	Stk

Positions marked with "/" are the individual items of a completion
For example: Position 0370 contains a centering pin with the position /0120

2 Combinations with standardized parts

Pos.	Sachnummer Product number	Benennung (Description)	Technische Info Technical info	Description (Benennung)	Menge Quantity	Einheit Unit
0630		VERSCHL.SCHR.		SCREW PLUG	1	Stk
	0636.302.067	VERSCHL.SCHR.		SCREW PLUG	1	Stk
	0634.801.249	DICHTRING	A 26 X 31	SEALING RING	1	Stk

The parts list shows the components included in the combination of standardized parts

3 Depiction of position/item number on the figure and in the parts list

01.620 - on the figure 01 relates to the assembly in which the position is included. Due to program-related reasons, it is shown on the figure.

0620 - in the parts list

Pos.	Sachnummer Product number	Benennung (Description)	Technische Info Technical info	Description (Benennung)	Menge Quantity	Einheit Unit
0620	0732.040.736	DRUCKFEDER		COMPRESSION SPRING	1	Stk

4 *-Positions

Positions marked with an * are optional i.e. inclusion in the parts list is not mandatory.
The following note is shown on the figure

je nach Stücklistenausführung
depending on spec. number
*
suivant la nomenclature
secondo la distinta base

5 Parts, dotted display

Parts with dotted display on the figure are only used for orientation of other parts

Technical Cover

Page 1 from 1

Material number: 5842.001.001



FRONT PTO /

Pos.	Information	Amendment number
	KUNDE: DAIMLER CHRYSLER	
	IDENT-NR.: A4052600505	
	QUESTIONNAIRE:	
	
	PROJEKT-NR.:	
	VEHICLE DATA:	
	ENGINE:	
	ENGINE POWER: P=... KW IN N=... UPM	
	INPUT TORQUE: T= ... NM IN N=... RPM	
	GEAR:	
	PRODUCT DESCRIPTION:	
	LASTSCHALTBARE FRONTZAPFWELLE MIT INTEGRIERTEM	
	OEL/WASSER WAERMETAUSCHER	
	MAX. EINGANGSLEISTUNG: 160 KW	
	M-NENNMOMENT: 660 NM	
	EINGANGSDREHZAHL: 2300 1/MIN	
	UEBERSETZUNG GES.: I = 1:2,138	
	DRAWINGS:	
	SCHNITT: 193101009012	
	SCHNITT: 5842 001 004	
	EINBAU: 193101009001	
	PRUEFPROGRAMM: REV06 20051027	
	MONTAGEHINWEIS: RADIALWELLENDICHTRINGE VOR DER MONTAGE	
	AM AUSSENUMFANG MIT STABUTHERM GH 461 EINFETTEN	
	SIEHE ARBEITSANWEISUNG APM 054	
	DICHTFLAECHEIN EINSEITIG MIT DICHTMITTEL LOCTITE 518	
	0666 690 134 BESTREICHEN.	
	OELMENGE: CA.4,0 L	
	OIL FILLING: NO	
	OELSORTE:	
	GESAMT-TROCKENMASSE: 117KG	
	COLOUR: 5 BLACK RAL 9005	

Assembly group overview

Page 1 from 1

Material number: 5842.001.001



FRONT PTO /

Picture	Pos.	Material number	Name	Quantity	Amend. no.	Techn. Info.
584212700100	10	5842.127.001	P.T.O.DRIVE	1		
584217300100	20	5842.173.001	PUMP UNIT	1		

Picture

Page 1 from 2

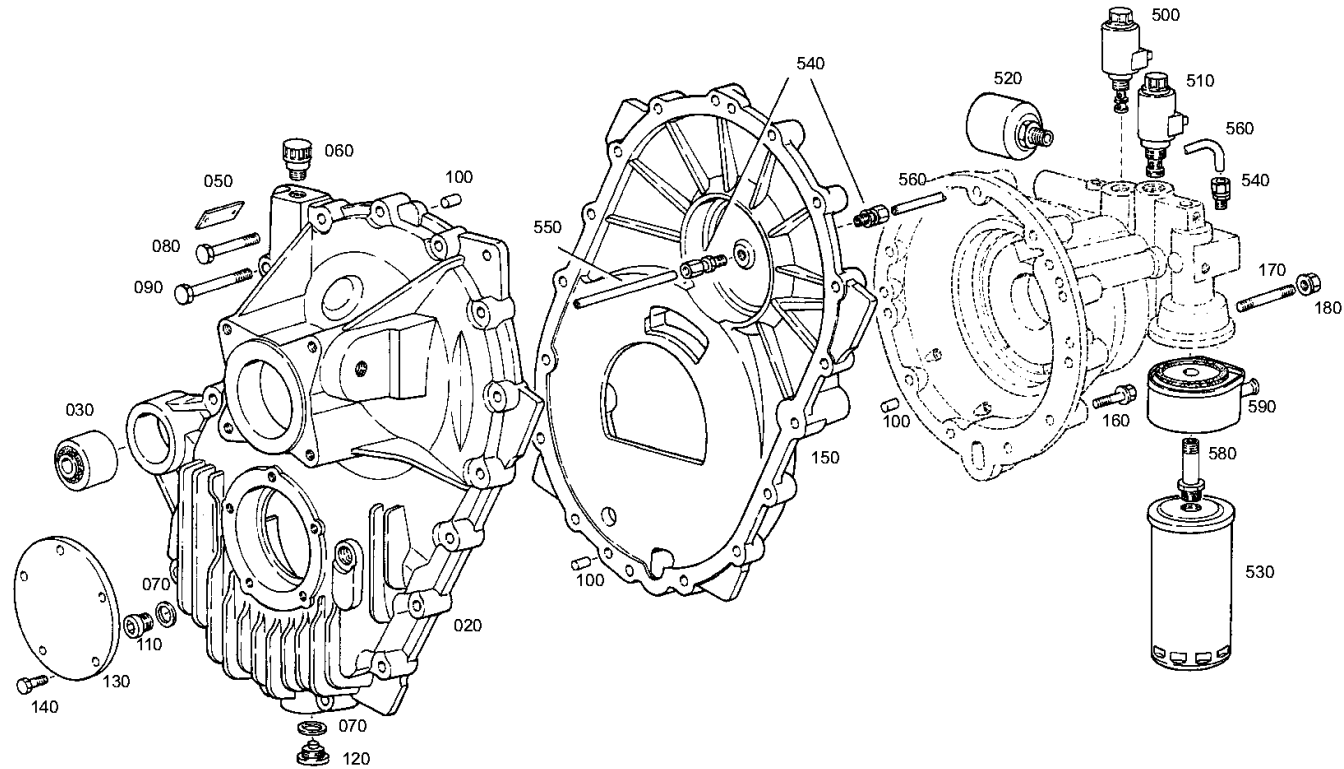
Material number: 5842.001.001

Picture: 584212700100

Material-assembly-group-no: 5842.127.001



FRONT PTO /
P.T.O.DRIVE



Picture

Page 2 from 2

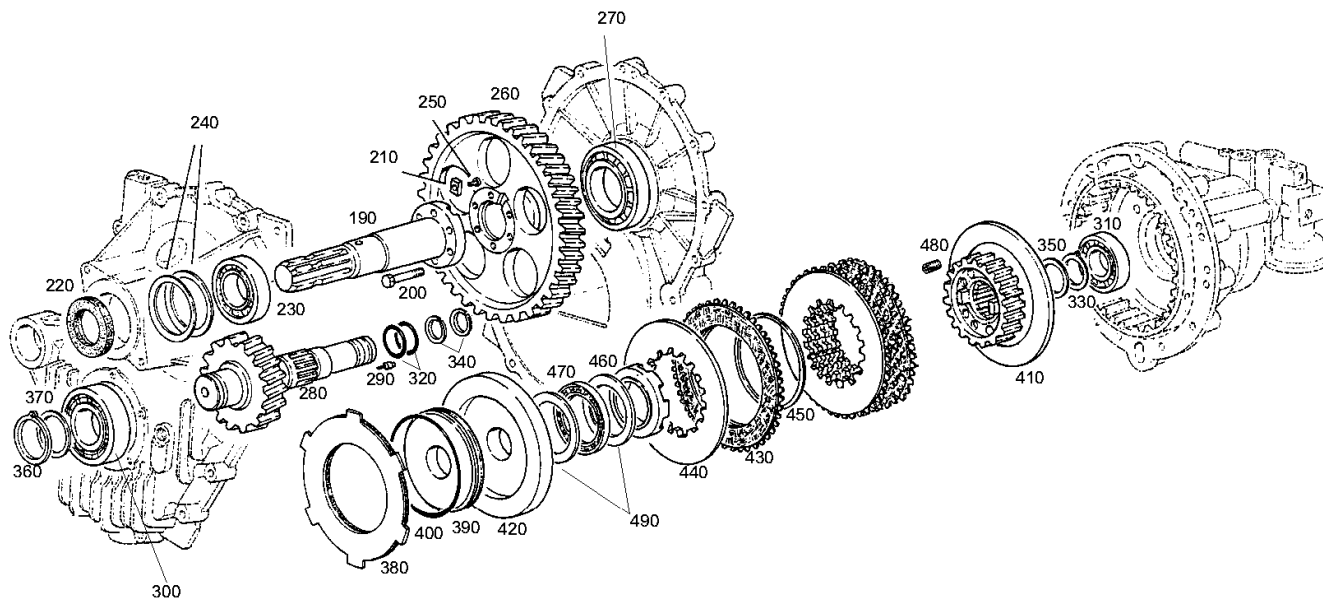
Material number: 5842.001.001

Picture: 584212700150

Material-assembly-group-no: 5842.127.001



FRONT PTO /
P.T.O.DRIVE



Picture

Page 1 from 1

Material number: 5842.001.001

Picture: 584217300100

Material-assembly-group-no: 5842.173.001



FRONT PTO /
PUMP UNIT

