



Spare Parts Catalog

VG 2000/300

Material number: 5849.051.042

Current date: 23.07.2021

ZF Friedrichshafen AG
Hauptverwaltung
80038 Friedrichshafen
Deutschland

Telefon: +49 7541 77-0

Telefax: +49 7541 77-908000

www.zf.com

zuständiges Werk:
Passau

Notes relating to the spare parts catalog

Setup of the spare parts catalog

- Cover sheet
- Technical Cover (only in SDM print)
- Overview of figures
- Figure
- Associated parts list
- Next figure
- Associated parts list
- ...

Figure and parts list



Overview of figures

Bildtafel Figure	Sachnummer Product number	Benennung (Description)	Technische Info Technical info	Description (Benennung)	Menge Quantity	Einheit Unit
068.08.17	1316.170.001	AUSLEGER	WL	SHIFT TURRET	1	Stk
068.08.06	1316.170.031	DECKEL	WL*H-H *VM	COVER	1	Stk
068.08.14	1316.170.808	DECKEL	WL*AUSL+GEH*H-H*HF160N	COVER	1	Stk
08	1316.170.441	ANSCHLUSSTEILE	WL*NG-VORB*RG-SCHL*168N *BAJONETT	CONNECTING PARTS	1	Stk

The "gap" indicates that there is no separate graphics panel (poster) for this assembly
The parts of this assembly are shown with the same mid-section number on the figure

1 Positions and subpositions

Pos.	Sachnummer Product number	Benennung (Description)	Technische Info Technical info	Description (Benennung)	Menge Quantity	Einheit Unit
0370	1315.201.054	RUECKLAUFBOLZEN	KPL.16S151*SG*L= 79	REV.IDLER SHAFT	1	Stk
/0120	0631.329.293	SPANNSTIFT		SLOT. PIN	1	Stk

Positions marked with "/" are the individual items of a completion
For example: Position 0370 contains a centering pin with the position /0120

2 Combinations with standardized parts

Pos.	Sachnummer Product number	Benennung (Description)	Technische Info Technical info	Description (Benennung)	Menge Quantity	Einheit Unit
0630		VERSCHL.SCHR.		SCREW PLUG	1	Stk
	0636.302.067	VERSCHL.SCHR.		SCREW PLUG	1	Stk
	0634.801.249	DICHTRING	A 26 X 31	SEALING RING	1	Stk

The parts list shows the components included in the combination of standardized parts

3 Depiction of position/item number on the figure and in the parts list

01.620 - on the figure 01 relates to the assembly in which the position is included. Due to program-related reasons, it is shown on the figure.

0620 - in the parts list

Pos.	Sachnummer Product number	Benennung (Description)	Technische Info Technical info	Description (Benennung)	Menge Quantity	Einheit Unit
0620	0732.040.736	DRUCKFEDER		COMPRESSION SPRING	1	Stk

4 *-Positions

Positions marked with an * are optional i.e. inclusion in the parts list is not mandatory.
The following note is shown on the figure

je nach Stücklistenausführung
depending on spec. number
*
suivant la nomenclature
secondo la distinta base

5 Parts, dotted display

Parts with dotted display on the figure are only used for orientation of other parts

Assembly group overview

Page 1 from 1



Material number: 5849.051.042

VG 2000/300 /

Graphics	Pos.	Material number	Name	Quantity	Amend. no.	Techn. Info.
	500	5844.002.021	NA 200	1		
584910302700	10	5849.103.027	HOUSING	1		
584910412000	30	5849.104.120	INPUT	1		
584910515100	40	5849.105.151	DOUBLE GEAR	1		
584910610900	50	5849.106.109	OUTPUT	1		
584811000500	60	5848.110.005	FLANGE	1		
584911212000	70	5849.112.120	SHIFT SYSTEM	1		
584919901600	800	5849.199.016	LOOSE PARTS	1		

Plant

Page 1 from 1

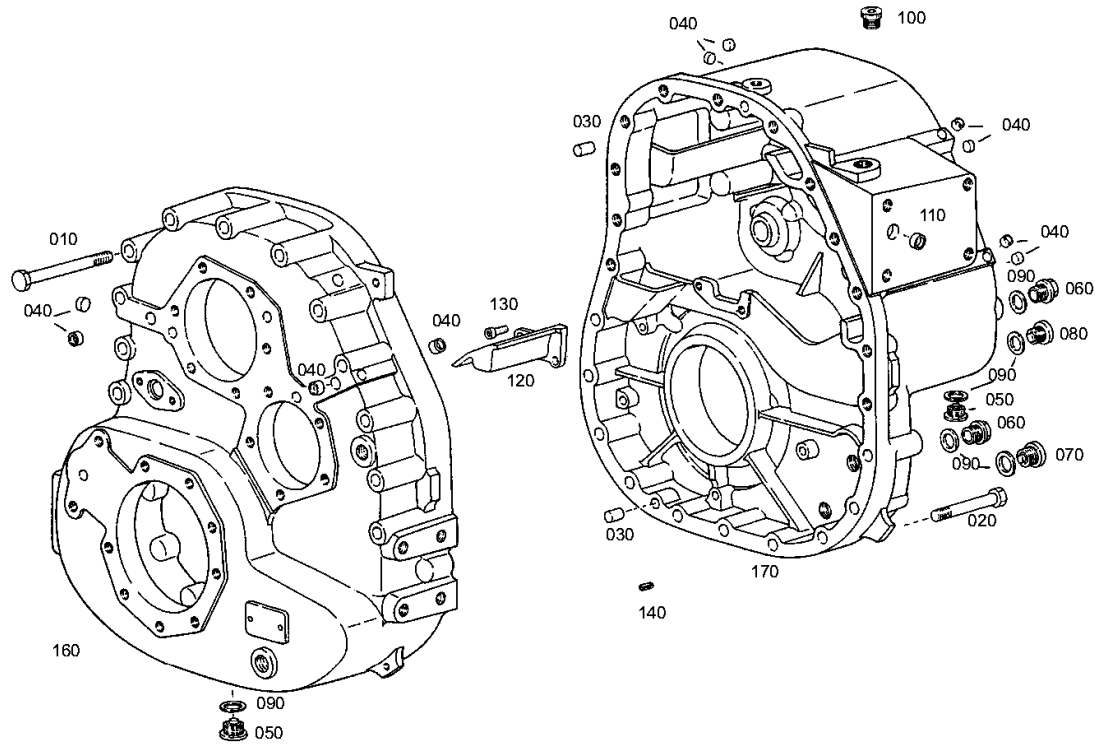
Material number: 5849.051.042

Plant: 584910302700

Material-assembly-group-no: 5849.103.027



VG 2000/300 /
HOUSING



Plant

Page 1 from 1

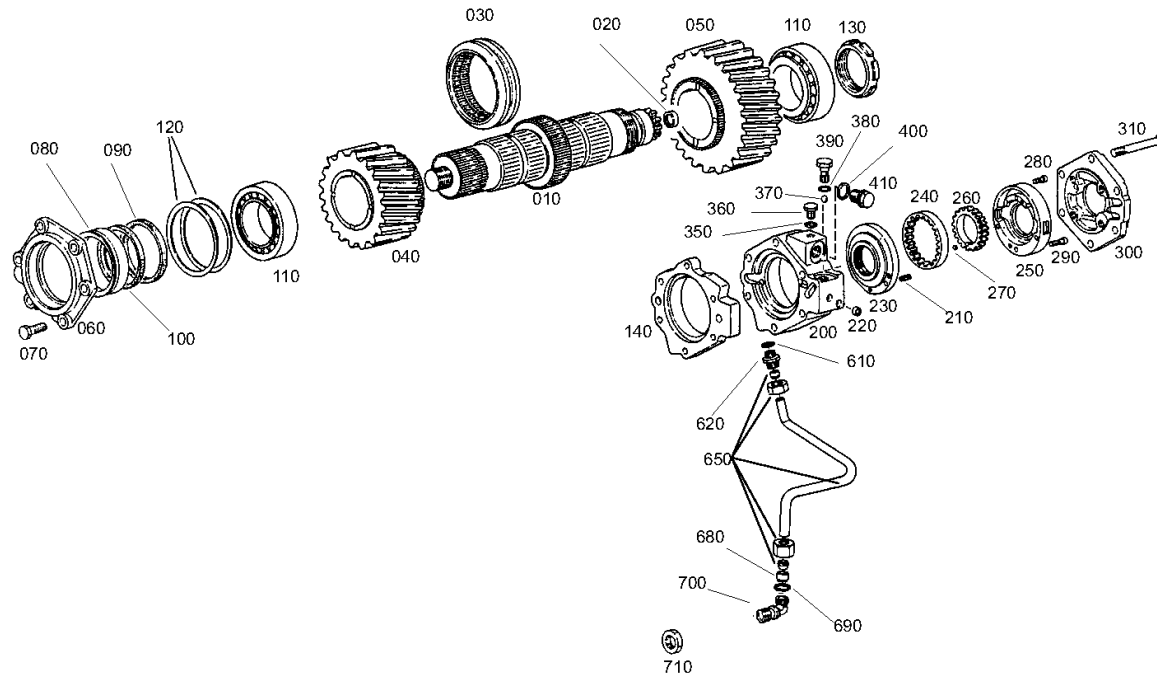
Material number: 5849.051.042

Plant: 584910412000

Material-assembly-group-no: 5849.104.120



VG 2000/300 /
INPUT



Plant

Page 1 from 1

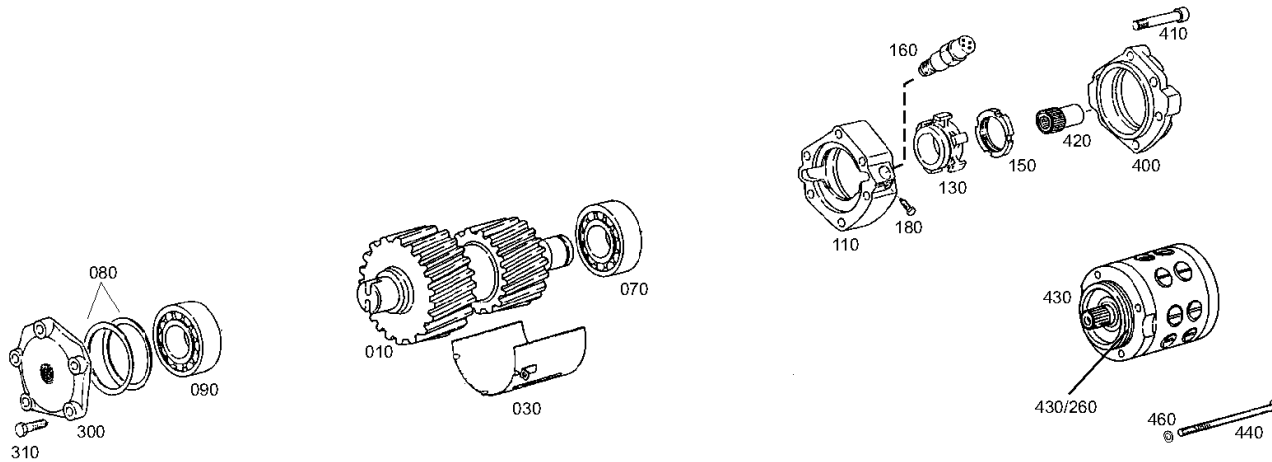
Material number: 5849.051.042

Plant: 584910515100

Material-assembly-group-no: 5849.105.151



VG 2000/300 /
DOUBLE GEAR



Plant

Page 1 from 1

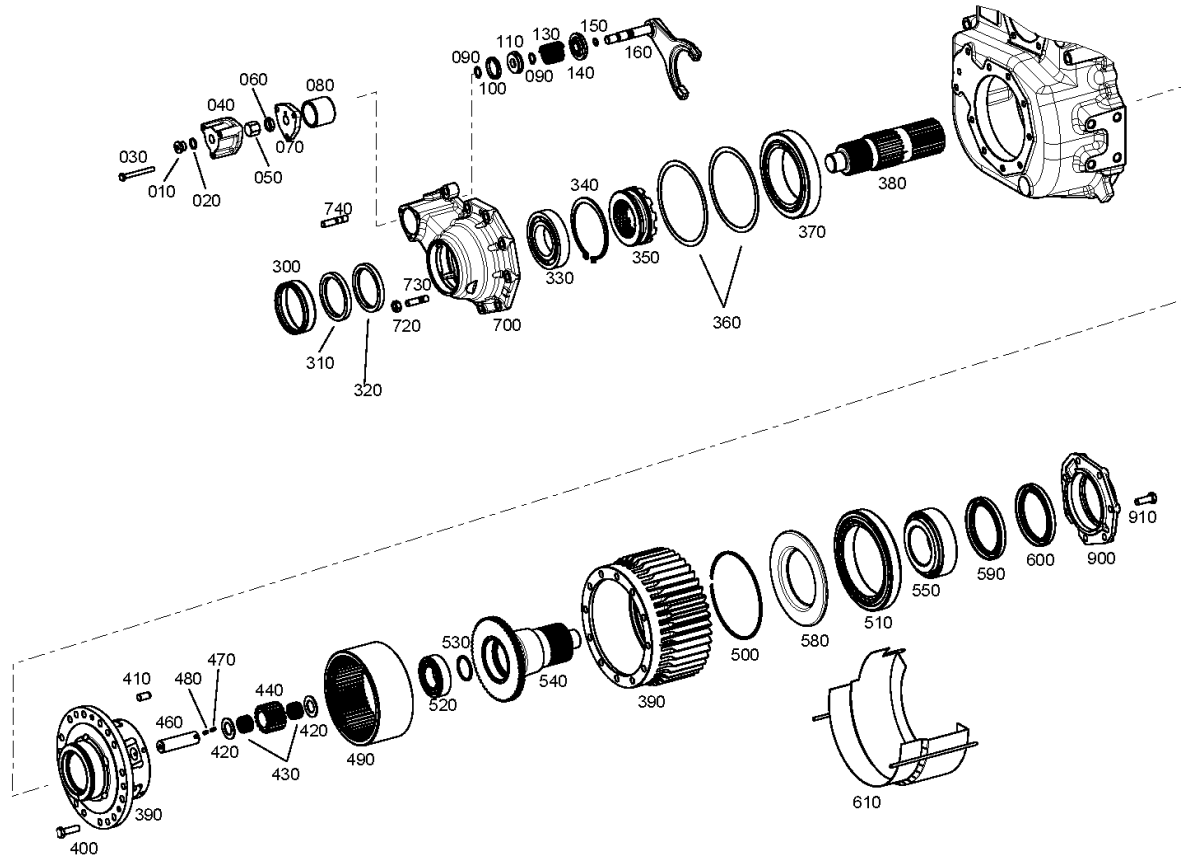
Material number: 5849.051.042

Plant: 584910610900

Material-assembly-group-no: 5849.106.109



VG 2000/300 /
OUTPUT



Plant

Page 1 from 1

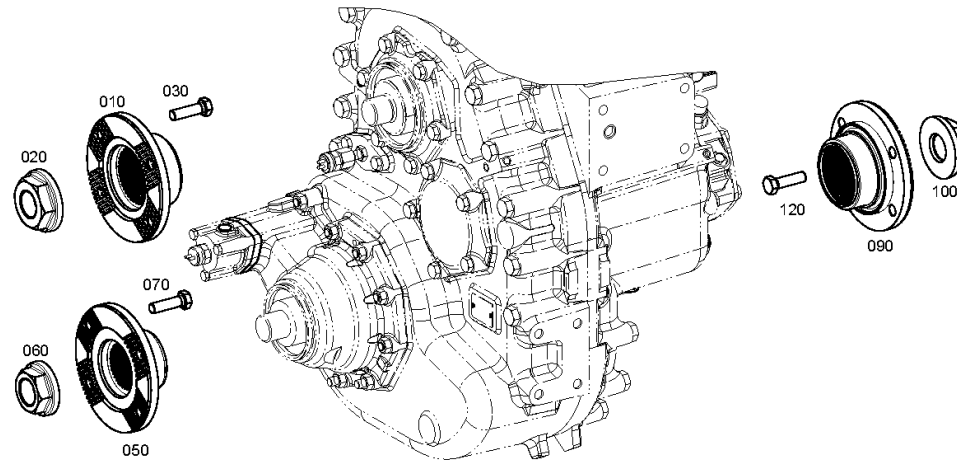
Material number: 5849.051.042

Plant: 584811000500

Material-assembly-group-no: 5848.110.005



VG 2000/300 /
FLANGE



Plant

Page 1 from 1

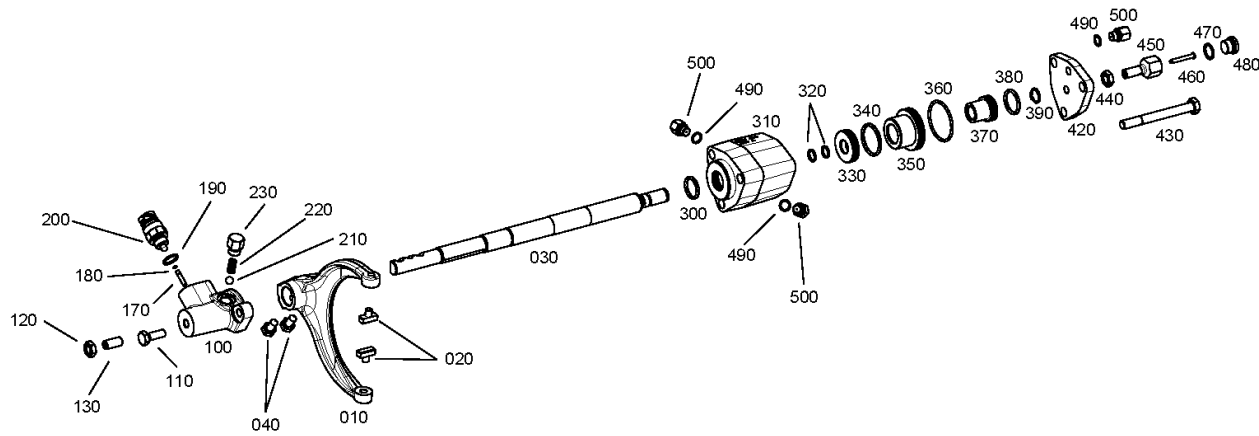
Material number: 5849.051.042

Plant: 584911212000

Material-assembly-group-no: 5849.112.120



VG 2000/300 /
SHIFT SYSTEM



Plant

Page 1 from 1

Material number: 5849.051.042

Plant: 584919901600

Material-assembly-group-no: 5849.199.016



VG 2000/300 /
LOOSE PARTS



Plant

Page 1 from 1

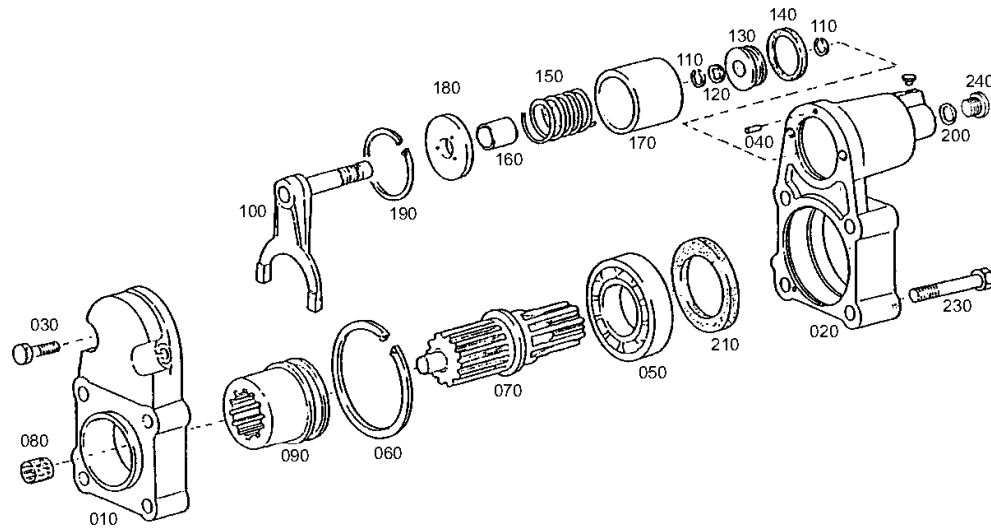
Material number: 5844.002.021

Plant: 584410100100

Material-assembly-group-no: 5844.101.001



VG 2000/300 /
HOUSING



Plant

Page 1 from 1

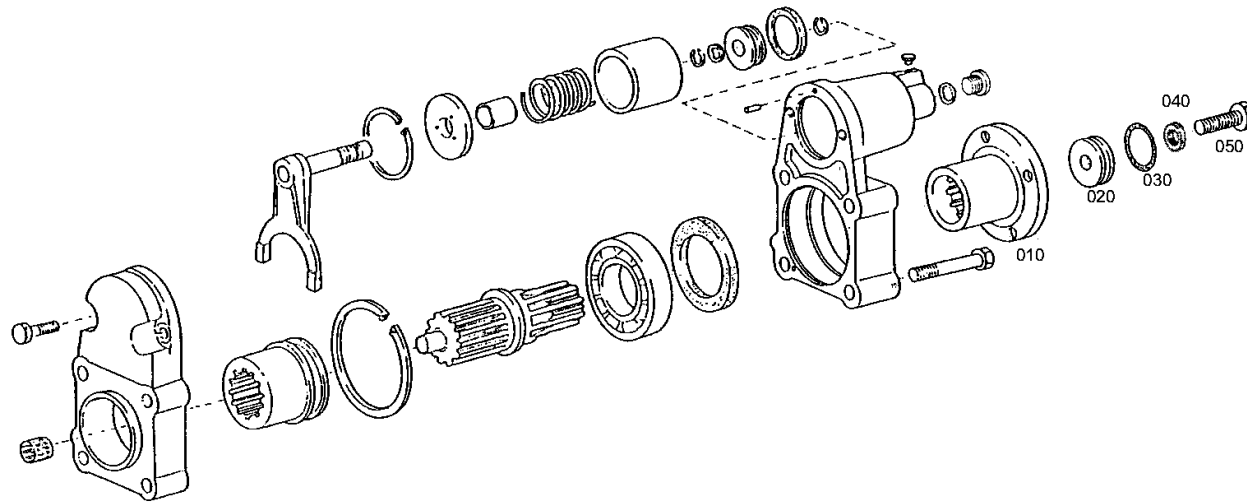
Material number: 5844.002.021

Plant: 584410500100

Material-assembly-group-no: 5844.105.001



VG 2000/300 /
FLANGE



Plant

Page 1 from 1

Material number: 5844.002.021

Plant: 584819902800

Material-assembly-group-no: 5848.199.028



VG 2000/300 /
LOOSE PARTS

012

