



# Spare Parts Catalog

N 221/PL

Material number: 6091.016.011

Current date: 04.02.2022

ZF Friedrichshafen AG  
Hauptverwaltung  
80038 Friedrichshafen  
Deutschland

Telefon: +49 7541 77-0

Telefax: +49 7541 77-908000

[www.zf.com](http://www.zf.com)

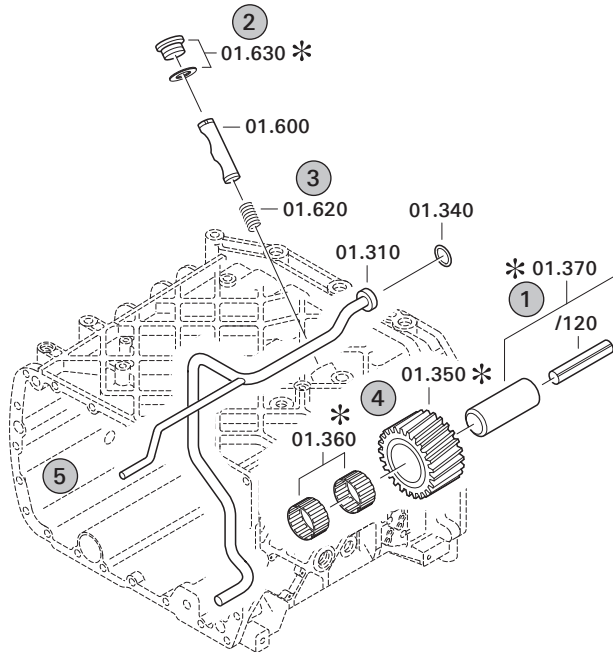
zuständiges Werk:  
Friedrichshafen

# Notes relating to the spare parts catalog

## Setup of the spare parts catalog

- Cover sheet
- Technical Cover (only in SDM print)
- Overview of figures
- Figure
- Associated parts list
- Next figure
- Associated parts list
- ...

## Figure and parts list



## Overview of figures

Bildtafel Figure	Sachnummer Product number	Benennung (Description)	Technische Info Technical info	Description (Benennung)	Menge Quantity	Einheit Unit
068.08.17	1316.170.001	AUSLEGER	WL	SHIFT TURRET	1	Stk
068.08.06	1316.170.031	DECKEL	WL*H-H *VM	COVER	1	Stk
068.08.14	1316.170.808	DECKEL	WL*AUSL+GEH*H-H*HF160N	COVER	1	Stk
08	1316.170.441	ANSCHLUSSTEILE	WL*NG-VORB*RG-SCHL*168N *BAJONETT	CONNECTING PARTS	1	Stk

The "gap" indicates that there is no separate graphics panel (poster) for this assembly  
The parts of this assembly are shown with the same mid-section number on the figure

### 1 Positions and subpositions

Pos.	Sachnummer Product number	Benennung (Description)	Technische Info Technical info	Description (Benennung)	Menge Quantity	Einheit Unit
0370	1315.201.054	RUECKLAUFBOLZEN	KPL.16S151*SG*L= 79	REV.IDLER SHAFT	1	Stk
/0120	0631.329.293	SPANNSTIFT		SLOT. PIN	1	Stk

Positions marked with "/" are the individual items of a completion  
For example: Position 0370 contains a centering pin with the position /0120

### 2 Combinations with standardized parts

Pos.	Sachnummer Product number	Benennung (Description)	Technische Info Technical info	Description (Benennung)	Menge Quantity	Einheit Unit
0630		VERSCHL.SCHR.		SCREW PLUG	1	Stk
	0636.302.067	VERSCHL.SCHR.		SCREW PLUG	1	Stk
	0634.801.249	DICHTRING	A 26 X 31	SEALING RING	1	Stk

The parts list shows the components included in the combination of standardized parts

### 3 Depiction of position/item number on the figure and in the parts list

01.620 - on the figure      01 relates to the assembly in which the position is included. Due to program-related reasons, it is shown on the figure.

0620 - in the parts list

Pos.	Sachnummer Product number	Benennung (Description)	Technische Info Technical info	Description (Benennung)	Menge Quantity	Einheit Unit
0620	0732.040.736	DRUCKFEDER		COMPRESSION SPRING	1	Stk

### 4 \*-Positions

Positions marked with an \* are optional i.e. inclusion in the parts list is not mandatory.  
The following note is shown on the figure

je nach Stücklistenausführung  
depending on spec. number  
\*  
suivant la nomenclature  
secondo la distinta base

### 5 Parts, dotted display

Parts with dotted display on the figure are only used for orientation of other parts

# Technical Cover

Page 1 from 1

Material number: 6091.016.011



N 221/PL /

Pos.	Information	Amendment number
001	Use case -----	
002	Customer Astra Veicoli Industriali	
003	City Piacenza	
004	DUNS 42-901-4004	
005	Use case -----	
006	Customer IVECO MAGIRUS AG	
007	City Ulm	
008	DUNS 31-561-9072	
009	Use case -----	
010	Customer ALLGEMEINER VERTRIEB	
011	City Friedrichshafen	
012	DUNS	
013	Product description -----	
014	ATTACHM.TO TRANSMISS.VARIANT1 ECOSPLIT	
015	DESIGN PTO K62 N 221 PL	
016	NO. OF TEETH PTO OUTPUT GEAR Z1 K62 85	
017	NO. OF TEETH PTO IDLER GEAR Z2 K62 67	
019	POSITION PTO K62 TOP	
020	OUTPUT SPEED PROJECT POINT 1.85	
021	DESIGN GEAR SHIFT SYSTEM STEER.PUMP K62 PERMANENTLY ENGAGED	
022	DESIGN COVER CONNECT. STEERING PUMP K62 COVER	
023	DESIGN STEERING PUMP K62 8605/8607	
024	SCOPE OF SUPPLIES STEERING PUMP K62 WITHOUT GROOVE	
026	COLOR NOT	

# Assembly group overview

Page 1 from 1

Material number: 6091.016.011



N 221/PL /

Graphics	Pos.	Material number	Name	Quantity	Amend. no.	Techn. Info.
068.74.86-1	42	6091.116.805	STEERING PUMP	1		
068.74.60	500	6091.116.006	HOUSING	1		
068.74.58-1	510	6091.116.003	END COVER	1		
068.74.83-1	520	6091.116.403	STEERING PUMP	1		
068.74.59-1	540	6091.116.007	PLATE	1		

# Plant

Page 1 from 5

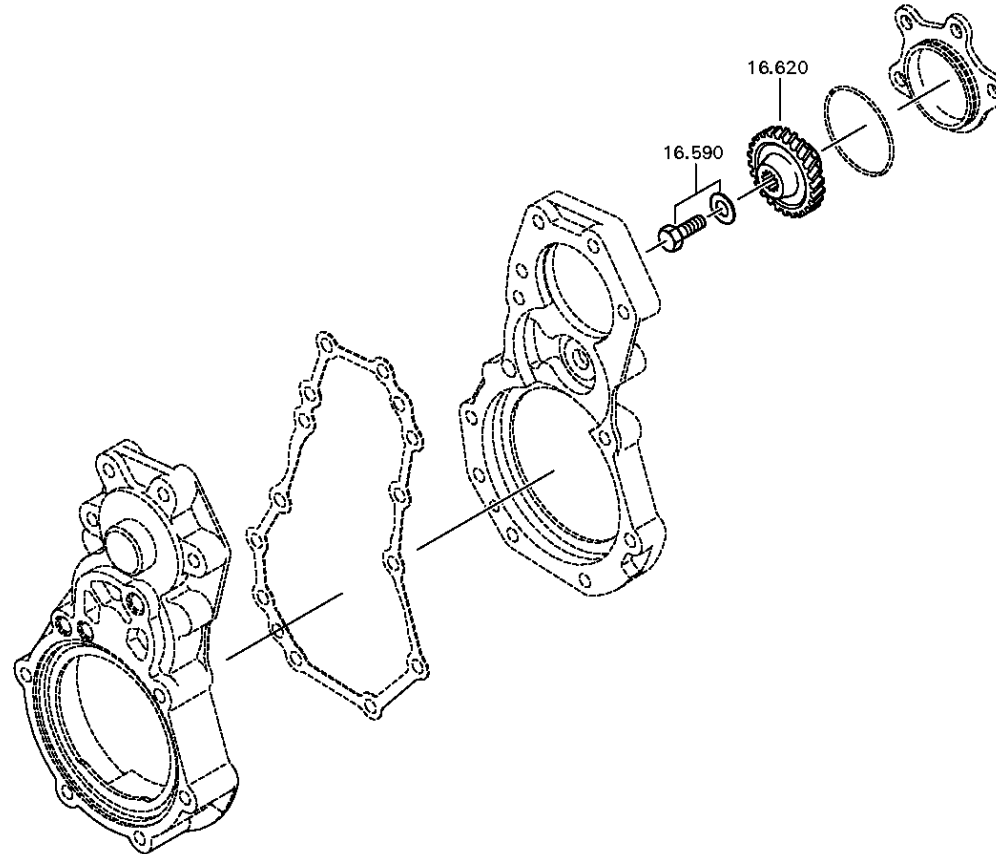
Material number: 6091.016.011

Plant: 068.74.86-1

STEERING PUMP



N 221/PL /  
STEERING PUMP



# Plant

Page 2 from 5

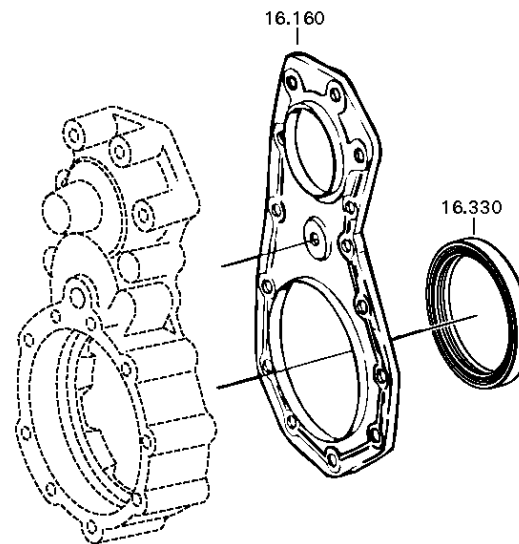
Material number: 6091.016.011

Plant: 068.74.58-1

STEERING PUMP



N 221/PL /  
STEERING PUMP



# Plant

Page 3 from 5

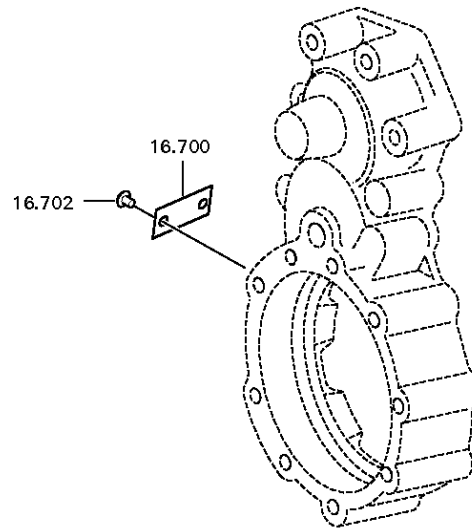
Material number: 6091.016.011

Plant: 068.74.59-1

STEERING PUMP



N 221/PL /  
STEERING PUMP



# Plant

Page 4 from 5

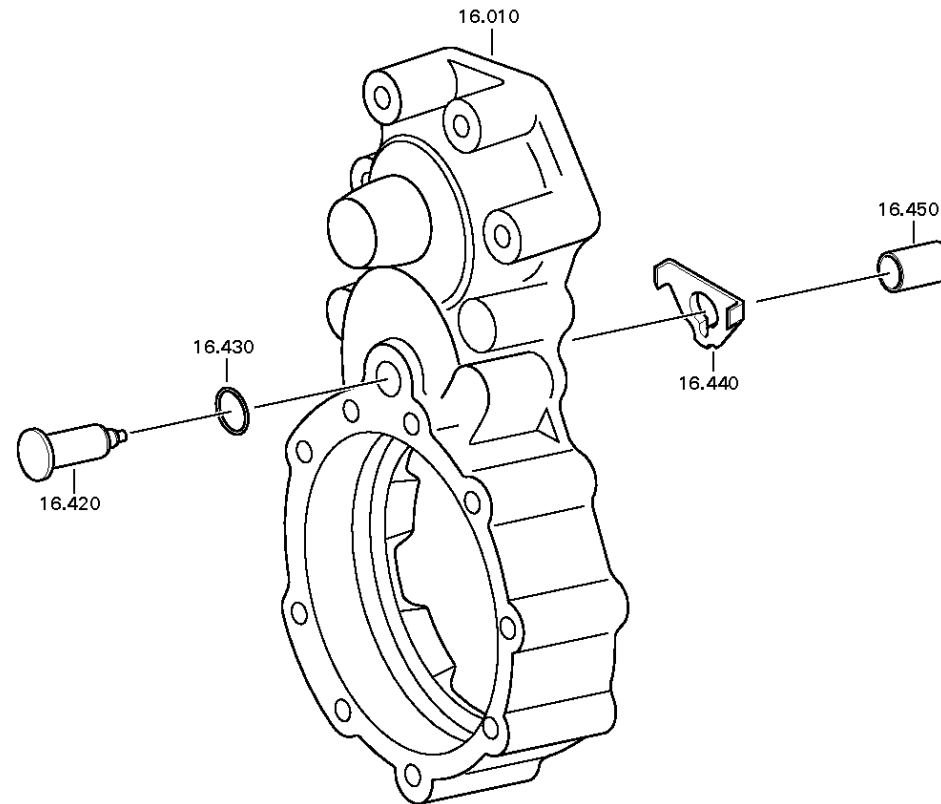
Material number: 6091.016.011

Plant: 068.74.60

STEERING PUMP



N 221/PL /  
STEERING PUMP





# Plant

Page 5 from 5

Material number: 6091.016.011

Plant: 068.74.83-1

STEERING PUMP



N 221/PL /  
STEERING PUMP

