



Spare Parts Catalog

NH PL

Material number: 6091.021.005

Current date: 10.03.2023

ZF Friedrichshafen AG
Hauptverwaltung
80038 Friedrichshafen
Deutschland

Telefon: +49 7541 77-0

Telefax: +49 7541 77-908000

www.zf.com

zuständiges Werk:
Friedrichshafen

Notes relating to the spare parts catalog

Setup of the spare parts catalog

- Cover sheet
- Technical Cover (only in SDM print)
- Overview of figures
- Figure
- Associated parts list
- Next figure
- Associated parts list
- ...

Figure and parts list



Overview of figures

Bildtafel Figure	Sachnummer Product number	Benennung (Description)	Technische Info Technical info	Description (Benennung)	Menge Quantity	Einheit Unit
068.08.17	1316.170.001	AUSLEGER	WL	SHIFT TURRET	1	Stk
068.08.06	1316.170.031	DECKEL	WL*H-H *VM	COVER	1	Stk
068.08.14	1316.170.808	DECKEL	WL*AUSL+GEH*H-H*HF160N	COVER	1	Stk
08	1316.170.441	ANSCHLUSSTEILE	WL*NG-VORB*RG-SCHL*168N *BAJONETT	CONNECTING PARTS	1	Stk

The "gap" indicates that there is no separate graphics panel (poster) for this assembly
The parts of this assembly are shown with the same mid-section number on the figure

1 Positions and subpositions

Pos.	Sachnummer Product number	Benennung (Description)	Technische Info Technical info	Description (Benennung)	Menge Quantity	Einheit Unit
0370	1315.201.054	RUECKLAUFBOLZEN	KPL.16S151*SG*L= 79	REV.IDLER SHAFT	1	Stk
/0120	0631.329.293	SPANNSTIFT		SLOT. PIN	1	Stk

Positions marked with "/" are the individual items of a completion
For example: Position 0370 contains a centering pin with the position /0120

2 Combinations with standardized parts

Pos.	Sachnummer Product number	Benennung (Description)	Technische Info Technical info	Description (Benennung)	Menge Quantity	Einheit Unit
0630		VERSCHL.SCHR.		SCREW PLUG	1	Stk
	0636.302.067	VERSCHL.SCHR.		SCREW PLUG	1	Stk
	0634.801.249	DICHTRING	A 26 X 31	SEALING RING	1	Stk

The parts list shows the components included in the combination of standardized parts

3 Depiction of position/item number on the figure and in the parts list

01.620 - on the figure 01 relates to the assembly in which the position is included. Due to program-related reasons, it is shown on the figure.

0620 - in the parts list

Pos.	Sachnummer Product number	Benennung (Description)	Technische Info Technical info	Description (Benennung)	Menge Quantity	Einheit Unit
0620	0732.040.736	DRUCKFEDER		COMPRESSION SPRING	1	Stk

4 *-Positions

Positions marked with an * are optional i.e. inclusion in the parts list is not mandatory.
The following note is shown on the figure

je nach Stücklistenausführung
depending on spec. number
*
suivant la nomenclature
secondo la distinta base

5 Parts, dotted display

Parts with dotted display on the figure are only used for orientation of other parts

Technical Cover

Page 1 from 1

Material number: 6091.021.005



NH PL /

Pos.	Information	Amendment number
001	Use case -----	
002	Customer Hyundai Motor Company HMC	
003	City Gyunggi-do	
004	DUNS 68-774-8277	
005	Use case -----	
006	Customer KAMAZ PUBLIC JOINT STOCK COMPANY	
007	City Naberezhnye Chelny	
008	DUNS 64-493-2113	
009	Use case -----	
010	Customer ALLGEMEINER VERTRIEB	
011	City Friedrichshafen	
012	DUNS	
013	Product description -----	
014	ATTACHM.TO TRANSMISS.VARIANT1 ECOSPLIT 4	
015	INSTALLATION POS TRANSMISSION HORIZONTAL LEFT	
016	TRANSMISSION ATTACHMENT FLANGE-MOUNTED	
017	DESIGN PTO K62 NH PL	
018	RATIO ROW K62 DG	
019	NO. OF TEETH PTO OUTPUT GEAR Z1 K62 85	
020	NO. OF TEETH PTO IDLER GEAR Z2 K62 67	
021	NO. OF TEETH PTO OUTPUT GEAR Z3 K62 46	
022	POSITION PTO K62 TOP	
023	OUTPUT SPEED PROJECT POINT 1.85	
024	DESIGN GEAR SHIFT SYSTEM STEER.PUMP K62 PERMANENTLY ENGAGED	
025	DESIGN COVER CONNECT. STEERING PUMP K62 PUMP	
026	DESIGN STEERING PUMP K62 8605	
027	SCOPE OF SUPPLIES STEERING PUMP K62 WITH	
028	DISPLACEMENT STEERING PUMP 16.000 dm3/min	
037	COLOR NOT	

Assembly group overview

Page 1 from 1

Material number: 6091.021.005



Picture	Pos.	Material number	Name	Quantity	Amend. no.	Techn. Info.
068.74.69-1	400	6091.121.043	STEERING PUMP	1		
068.74.06-1	450	6091.121.802	STEERING PUMP	1		

Picture

Page 1 from 2

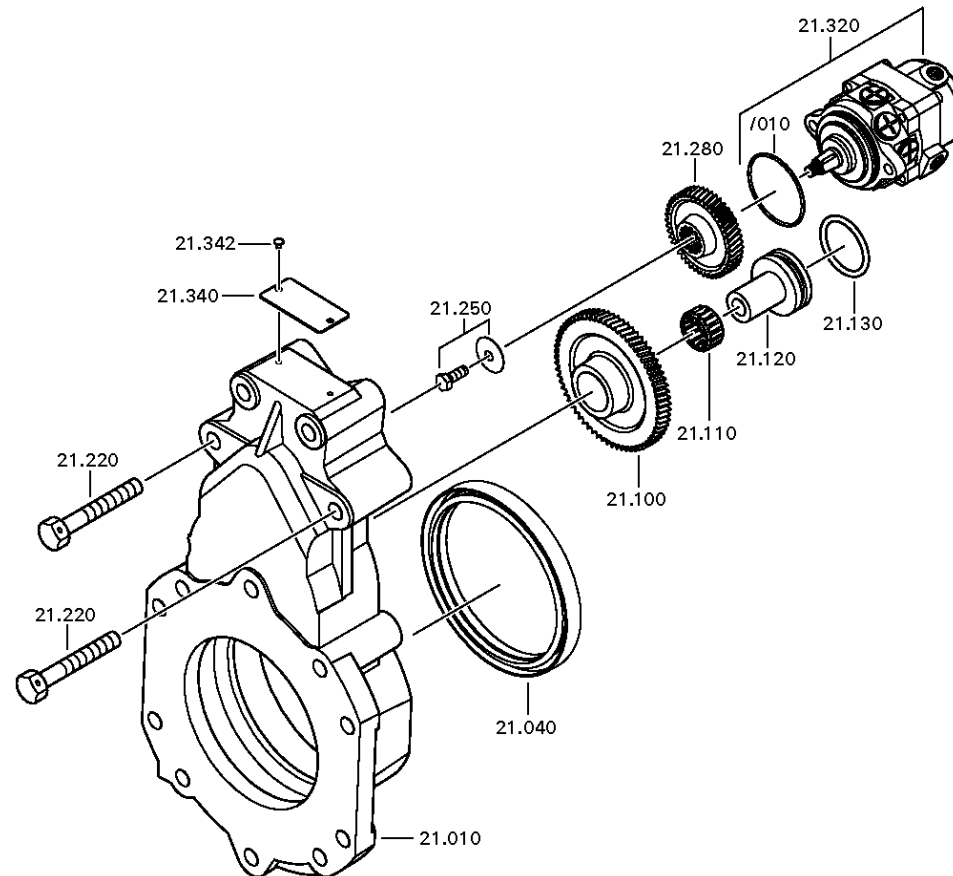
Material number: 6091.021.005

Picture: 068.74.69-1

STEERING PUMP



NH PL /
STEERING PUMP



Picture

Page 2 from 2

Material number: 6091.021.005

Picture: 068.74.06-1

STEERING PUMP



NH PL /
STEERING PUMP

