



Spare Parts Catalog

ACCESSORIES

Material number: 6091.190.001

Current date: 04.04.2023

ZF Friedrichshafen AG
Hauptverwaltung
80038 Friedrichshafen
Deutschland

Telefon: +49 7541 77-0

Telefax: +49 7541 77-908000

www.zf.com

zuständiges Werk:
Friedrichshafen

Notes relating to the spare parts catalog

Setup of the spare parts catalog

- Cover sheet
- Technical Cover (only in SDM print)
- Overview of figures
- Figure
- Associated parts list
- Next figure
- Associated parts list
- ...

Figure and parts list



Overview of figures

Bildtafel Figure	Sachnummer Product number	Benennung (Description)	Technische Info Technical info	Description (Benennung)	Menge Quantity	Einheit Unit
068.08.17	1316.170.001	AUSLEGER	WL	SHIFT TURRET	1	Stk
068.08.06	1316.170.031	DECKEL	WL*H-H *VM	COVER	1	Stk
068.08.14	1316.170.808	DECKEL	WL*AUSL+GEH*H-H*HF160N	COVER	1	Stk
08	1316.170.441	ANSCHLUSSTEILE	WL*NG-VORB*RG-SCHL*168N *BAJONETT	CONNECTING PARTS	1	Stk

The "gap" indicates that there is no separate graphics panel (poster) for this assembly
The parts of this assembly are shown with the same mid-section number on the figure

1 Positions and subpositions

Pos.	Sachnummer Product number	Benennung (Description)	Technische Info Technical info	Description (Benennung)	Menge Quantity	Einheit Unit
0370	1315.201.054	RUECKLAUFBOLZEN	KPL.16S151*SG*L= 79	REV.IDLER SHAFT	1	Stk
/0120	0631.329.293	SPANNSTIFT		SLOT. PIN	1	Stk

Positions marked with "/" are the individual items of a completion
For example: Position 0370 contains a centering pin with the position /0120

2 Combinations with standardized parts

Pos.	Sachnummer Product number	Benennung (Description)	Technische Info Technical info	Description (Benennung)	Menge Quantity	Einheit Unit
0630		VERSCHL.SCHR.		SCREW PLUG	1	Stk
	0636.302.067	VERSCHL.SCHR.		SCREW PLUG	1	Stk
	0634.801.249	DICHTRING	A 26 X 31	SEALING RING	1	Stk

The parts list shows the components included in the combination of standardized parts

3 Depiction of position/item number on the figure and in the parts list

01.620 - on the figure 01 relates to the assembly in which the position is included. Due to program-related reasons, it is shown on the figure.

0620 - in the parts list

Pos.	Sachnummer Product number	Benennung (Description)	Technische Info Technical info	Description (Benennung)	Menge Quantity	Einheit Unit
0620	0732.040.736	DRUCKFEDER		COMPRESSION SPRING	1	Stk

4 *-Positions

Positions marked with an * are optional i.e. inclusion in the parts list is not mandatory.
The following note is shown on the figure

je nach Stücklistenausführung
depending on spec. number
*
suivant la nomenclature
secondo la distinta base

5 Parts, dotted display

Parts with dotted display on the figure are only used for orientation of other parts

Assembly group overview

Page 1 from 1

Material number: 6091.190.001



ACCESSORIES /

Picture	Pos.	Material number	Name	Quantity	Amend. no.	Techn. Info.
093.64.84-1	910	6091.101.813	HOUSING	1		
093.68.92-1	930	6091.106.802	SHIFT SYSTEM	1		

Picture

Page 1 from 1

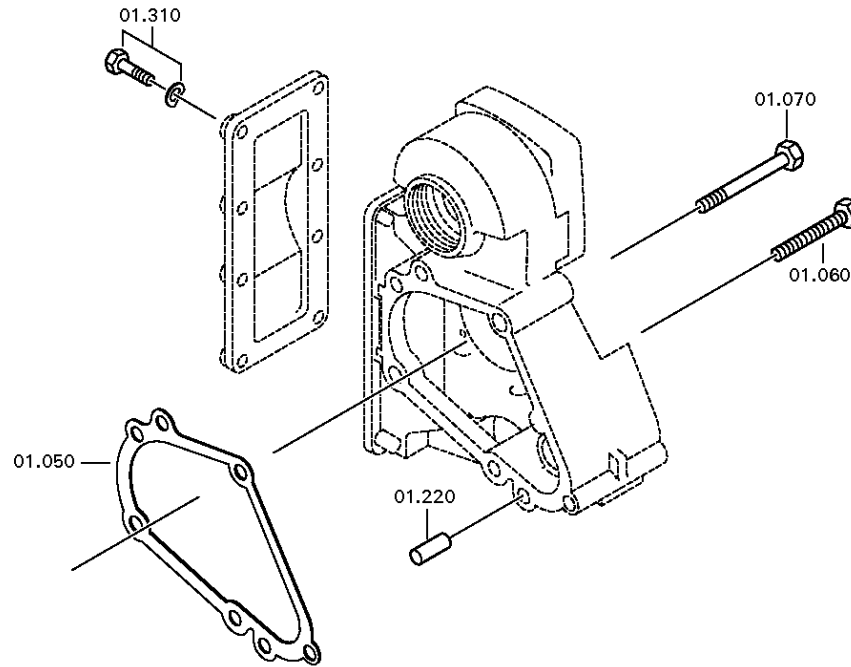
Material number: 6091.190.001

Picture: 093.64.84-1

Material-assembly-group-no: 6091.101.813



ACCESSORIES /
HOUSING



Parts list

Page 1 from 1

Material number: 6091.190.001

Picture: 093.64.84-1

Material-assembly-group-no: 6091.101.813



ACCESSORIES /

	Pos.	Material number	Customer material	Name	Quantity	ME	Amend. no.	Techn. Info.	Rep kit	Alternative material
🛒	50	1304.313.145		GASKET	1			ENTHALT.IN 1304 313 127(2)		
🛒	60	0636.100.713		HEXAGON SCREW	1		Z00016201810	M10X65		
🛒	70	0636.100.350		HEXAGON SCREW	1		Z00007053713	M10X85		
🛒	220	0631.306.180		CYLINDRICAL PIN	2			12X28		
	310	---		HEXAGON SCREW	6		Z00007058816	M6X22		
🛒	---	0636.100.614		HEXAGON SCREW	1			M6X22		
	---	---		SPRING WASHER	1					
🛒	---	0630.100.250		SPRING WASHER	1					
🛒	---	0630.100.457		SPRING WASHER	1					

Picture

Page 1 from 1

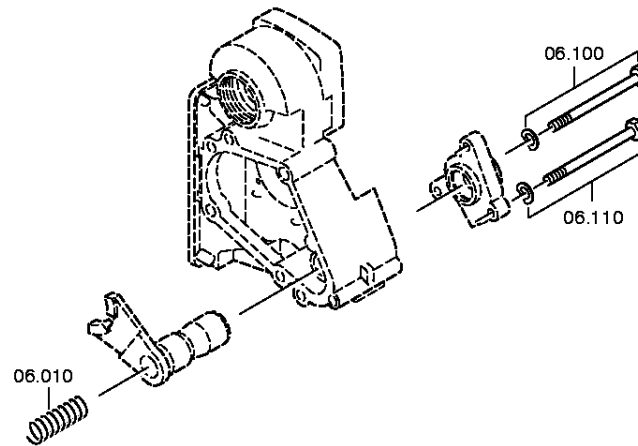
Material number: 6091.190.001

Picture: 093.68.92-1

Material-assembly-group-no: 6091.106.802



ACCESSORIES /
SHIFT SYSTEM



Parts list

Page 1 from 1

Material number: 6091.190.001

Picture: 093.68.92-1

Material-assembly-group-no: 6091.106.802



ACCESSORIES /

	Pos.	Material number	Customer material	Name	Quantity	ME	Amend. no.	Techn. Info.	Rep kit	Alternative material
	10	0732.041.323		COMPRESSION SPRING	1					
	100	---		HEXAGON SCREW	1		Z00026433210	M10X130		
	---	0636.100.358		HEXAGON SCREW	1		Z00007054013	M10X130		
	---	0630.100.294		WASHER	1		Z00007158113			
	110	---		HEXAGON SCREW	1		Z00026433211	M10X125		
	---	0636.011.779		HEXAGON SCREW	1			M10X125		
	---	0630.100.294		WASHER	1		Z00007158111			